



US00D943084S

(12) **United States Design Patent** (10) **Patent No.:** **US D943,084 S**
Ashurov (45) **Date of Patent:** **** Feb. 8, 2022**

(54) **AIR VENT MODULE**
(71) Applicant: **ALLSTAR MARKETING GROUP, LLP**, Hawthorne, NY (US)
(72) Inventor: **Aviator Ashurov**, East Brunswick, NJ (US)
(73) Assignee: **ALLSTAR MARKETING GROUP, LLC**, Hawthorne, NY (US)
(**) Term: **15 Years**
(21) Appl. No.: **29/704,585**
(22) Filed: **Sep. 5, 2019**
(51) **LOC (13) Cl.** **23-03**
(52) **U.S. Cl.**
USPC **D23/393**
(58) **Field of Classification Search**
USPC D23/259, 260, 354, 355, 370, 371, 373,
D23/381, 382, 385, 386, 387, 388, 389,
D23/390, 392, 393
CPC E04D 13/152; F24F 13/00; F24F 13/02;
F24F 13/0209; F24F 13/06; F24F
13/0604; F24F 13/10; F24F 13/12; F24F
13/14; F24F 13/15; F24F 13/16; F24F
13/18; F24F 13/20; F24F 7/02; F24F
7/025; F24F 7/065
See application file for complete search history.

(56) **References Cited**
U.S. PATENT DOCUMENTS
3,503,320 A * 3/1970 Geromet F24F 13/16
454/323
4,058,329 A * 11/1977 Johansson F16L 5/02
285/140.1
4,078,476 A * 3/1978 Widerby F24F 13/06
251/154
D291,911 S * 9/1987 Fries D23/207
D328,875 S * 8/1992 Perkins D10/121

D410,707 S * 6/1999 Krog D21/488
D431,627 S * 10/2000 Etschel D12/214
D509,583 S * 9/2005 Graham D23/411
10,739,035 B2 * 8/2020 Herweck F24F 8/40
D896,344 S * 9/2020 Eads D23/213
D905,215 S * 12/2020 Herweck D23/332
10,859,290 B2 * 12/2020 Herweck F24H 7/04
2013/0128450 A1 * 5/2013 Redshaw H05K 7/20145
361/679.46

OTHER PUBLICATIONS

Breeze Blast review: Sharper Image Breeze Blast personal air cooler, Mar. 1, 2020, YouTube, site visited Dec. 12, 2021: <https://www.youtube.com/watch?v=gg32PrapmTs> (Year: 2020).*

(Continued)

Primary Examiner — Jack Reickel
Assistant Examiner — Bobby W Jones, II
(74) *Attorney, Agent, or Firm* — Andrew F. Young, Esq.;
Nolte Lackenbach Siegel

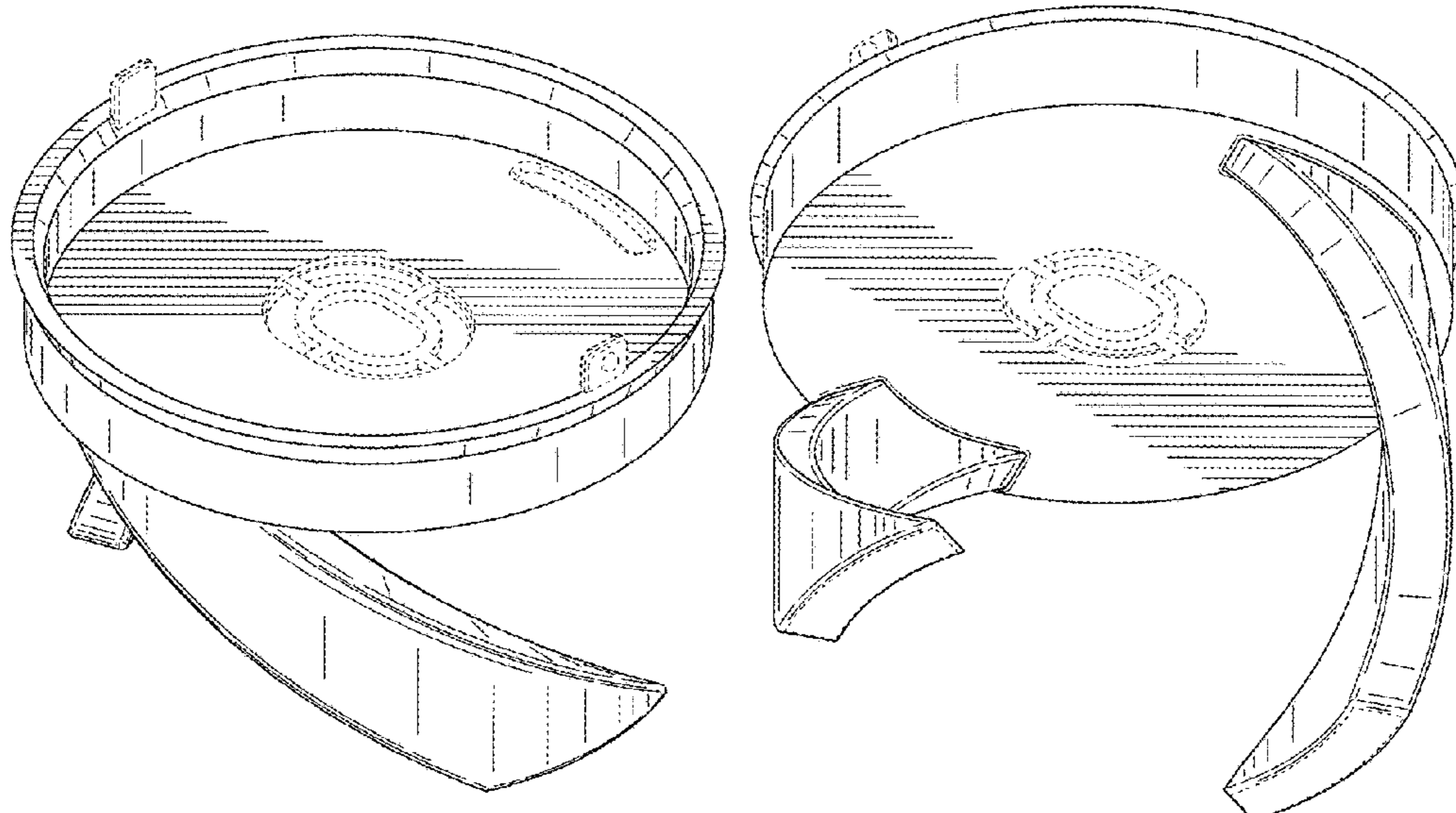
(57) **CLAIM**

The ornamental design for an air vent module, as shown and described.

DESCRIPTION

FIG. 1 is a front top perspective view of an air vent module showing my new design.
FIG. 2 is a rear bottom perspective view thereof.
FIG. 3 is a top plan view thereof.
FIG. 4 is a bottom plan view thereof.
FIG. 5 is a right side elevation view thereof.
FIG. 6 is a left side elevation view thereof.
FIG. 7 is a front elevation view thereof; and,
FIG. 8 is a rear elevation view thereof.
The dash-dash lines demark the boundary of disclaimed portions that form no part of the claimed design. No claim is made to portions that are not shown.

1 Claim, 8 Drawing Sheets



(56)

References Cited

OTHER PUBLICATIONS

HG Power 3 Inch Round Air Vent, Jan. 2, 2018, Amazon, site visited Dec. 12, 2021: <https://www.amazon.com/dp/B078RM9T3S/?th=1> (Year: 2018).*

Airwirl Don't Buy A Counterfeit One, Jun. 22, 2019, YouTube, site visited Dec. 12, 2021: <https://www.youtube.com/watch?v=X4IW33vVS1s> (Year: 2019).*

* cited by examiner

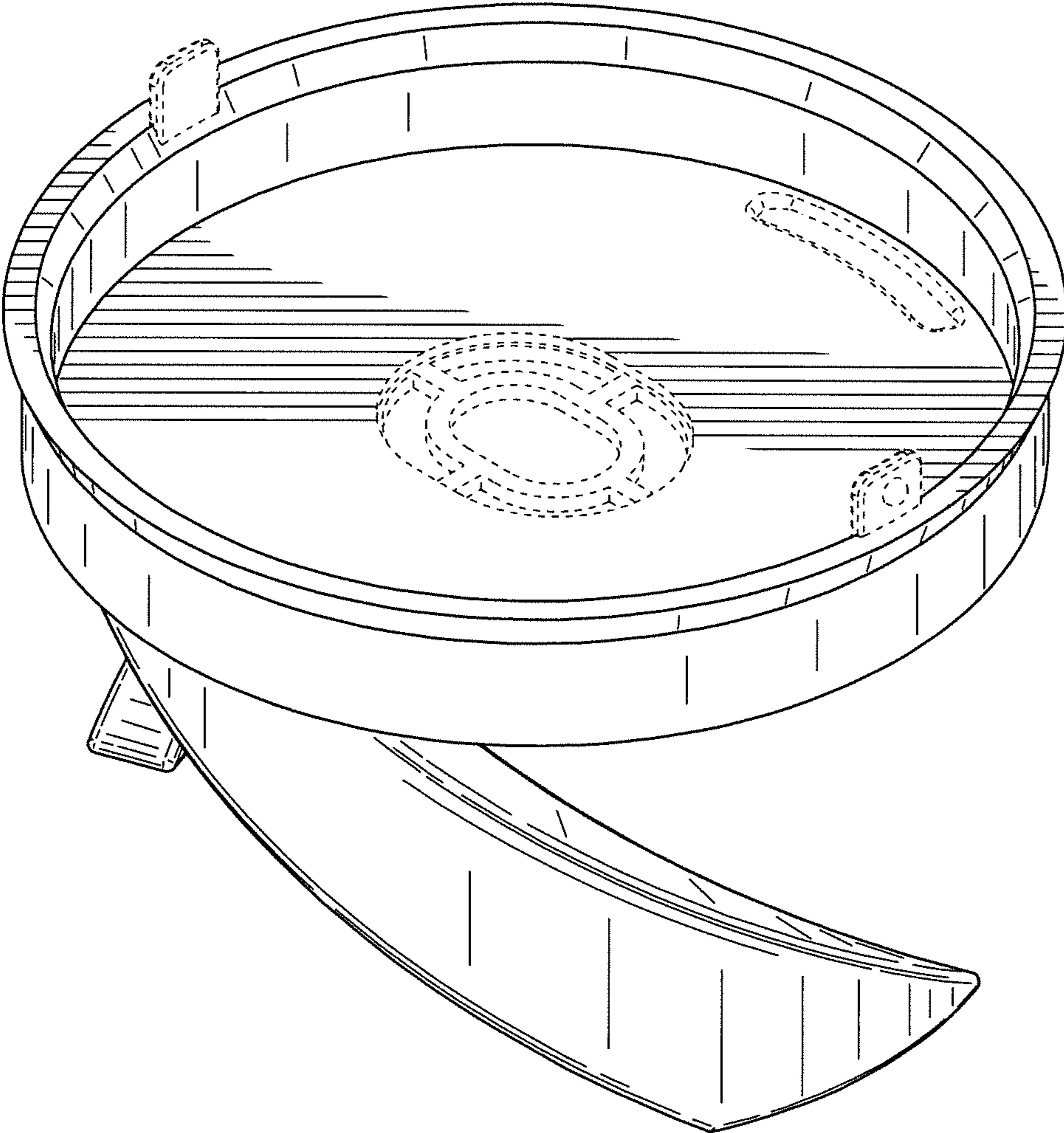


FIG. 1

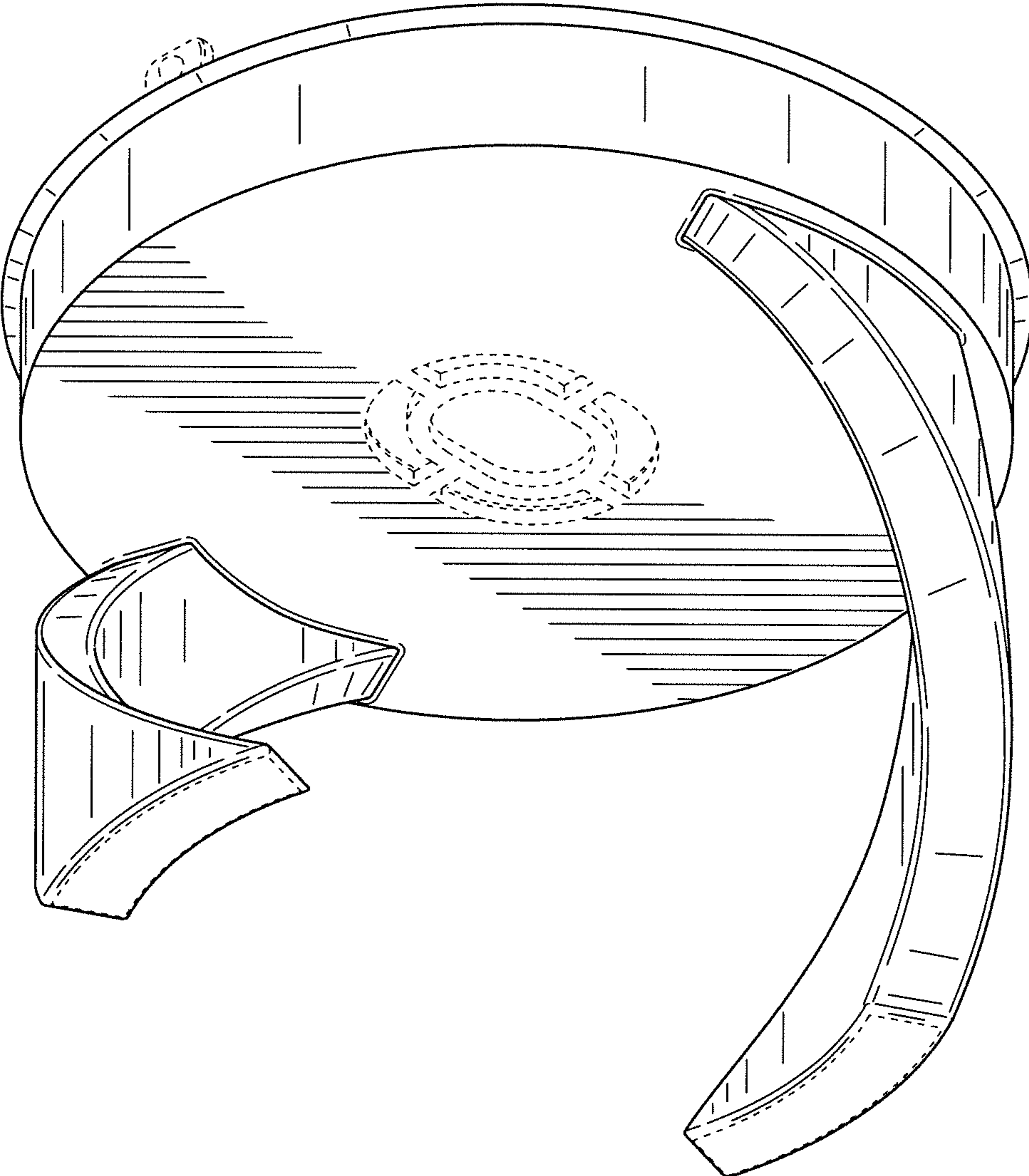


FIG. 2

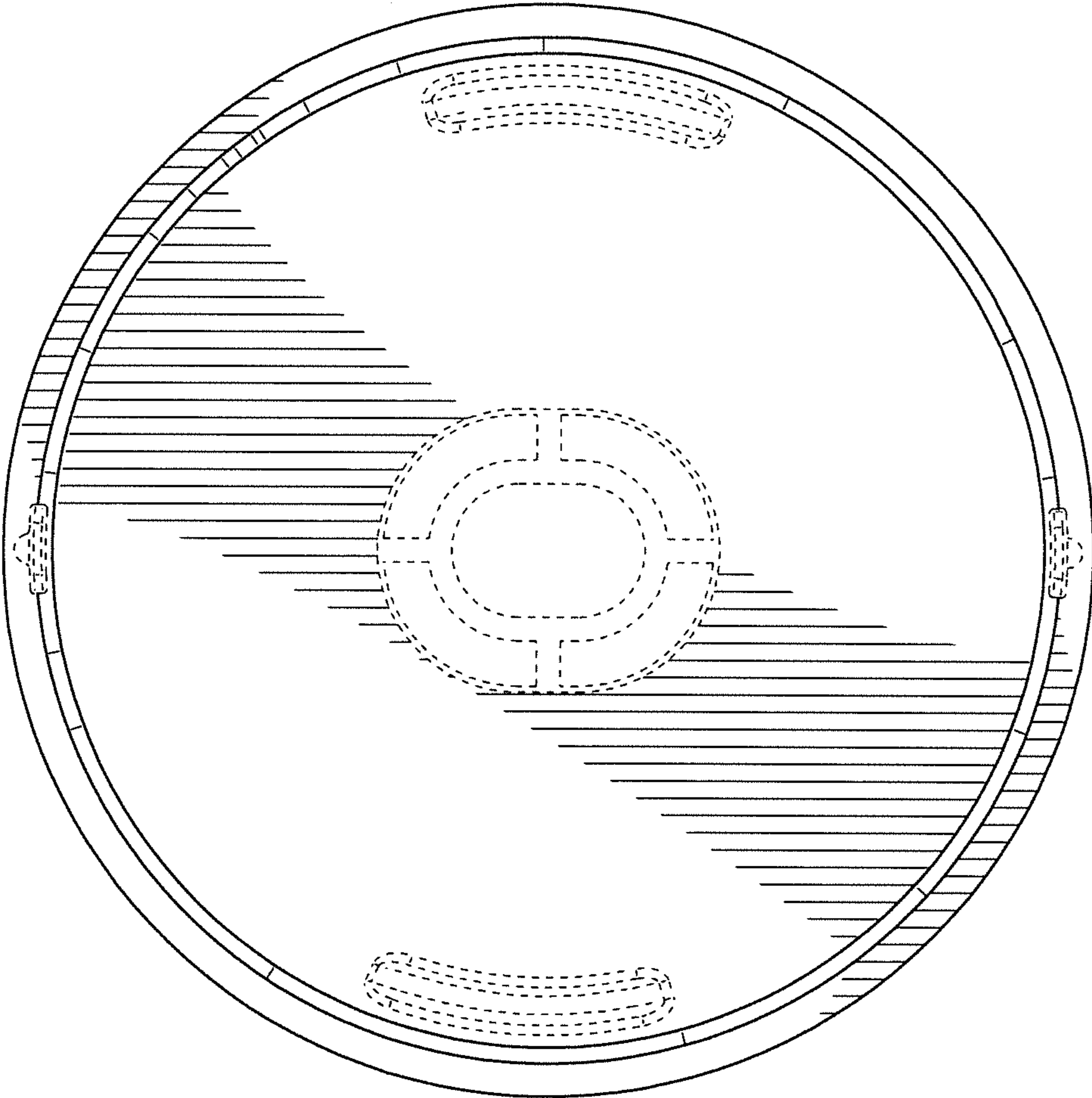


FIG. 3

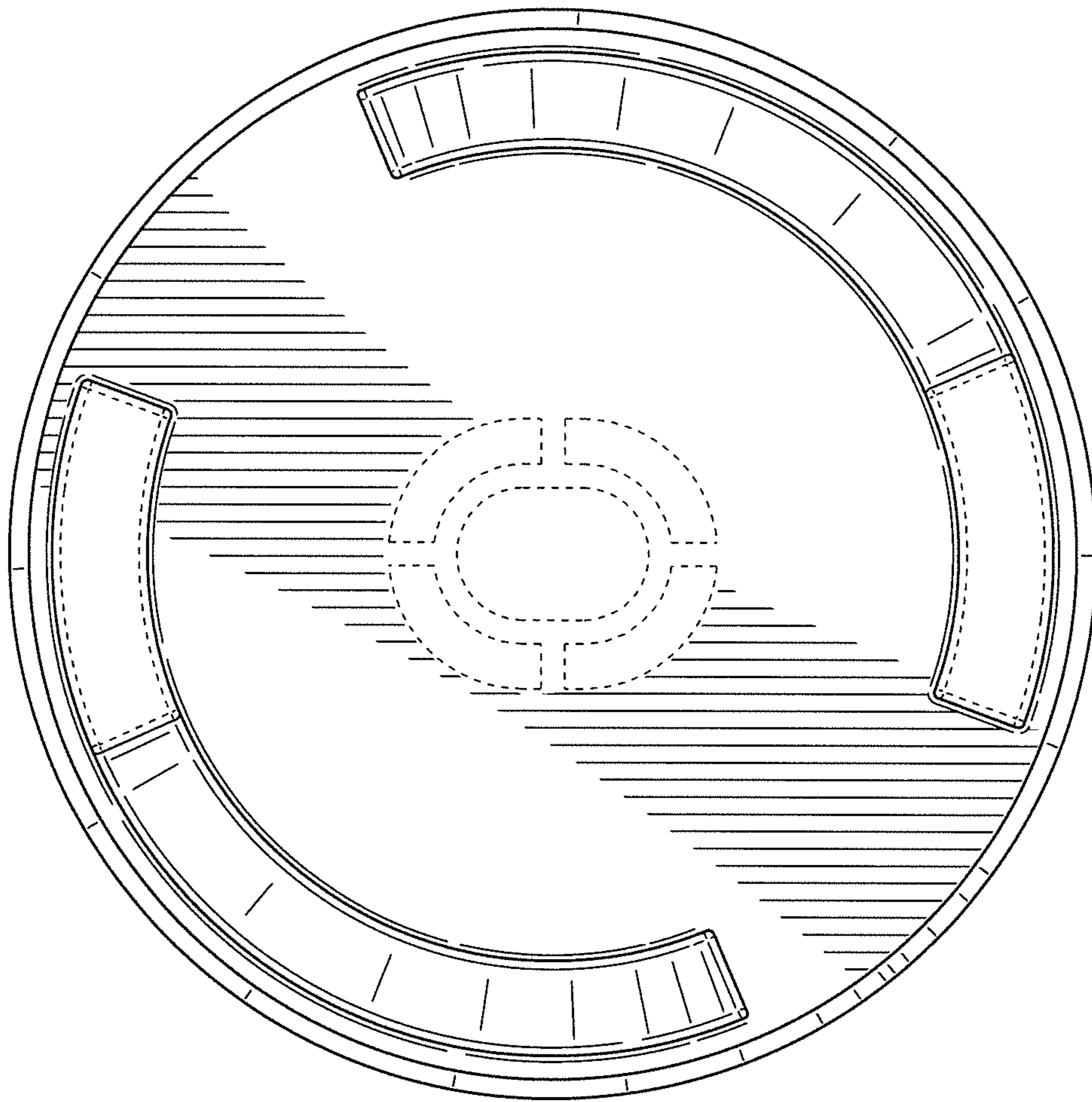


FIG. 4

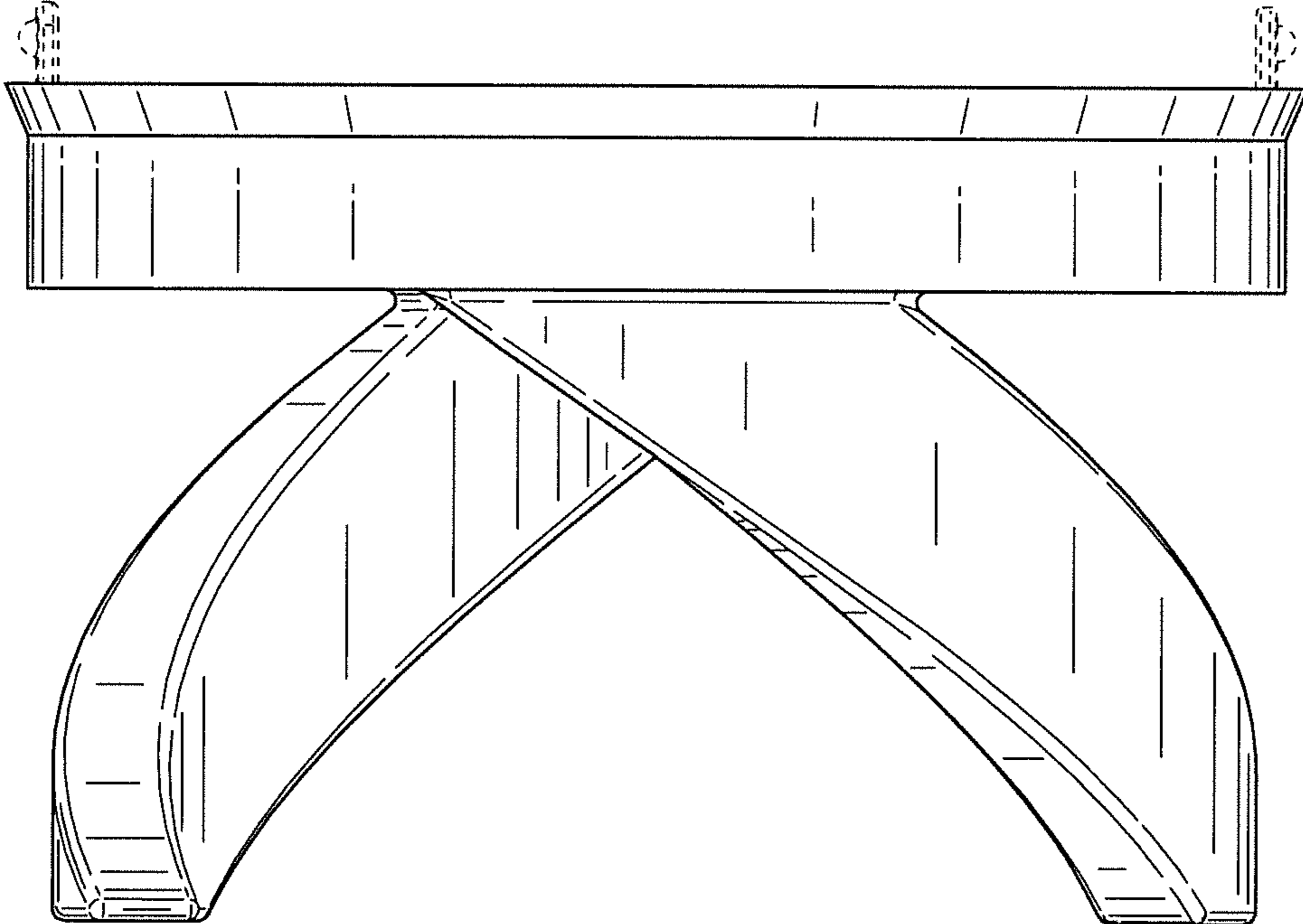


FIG. 5

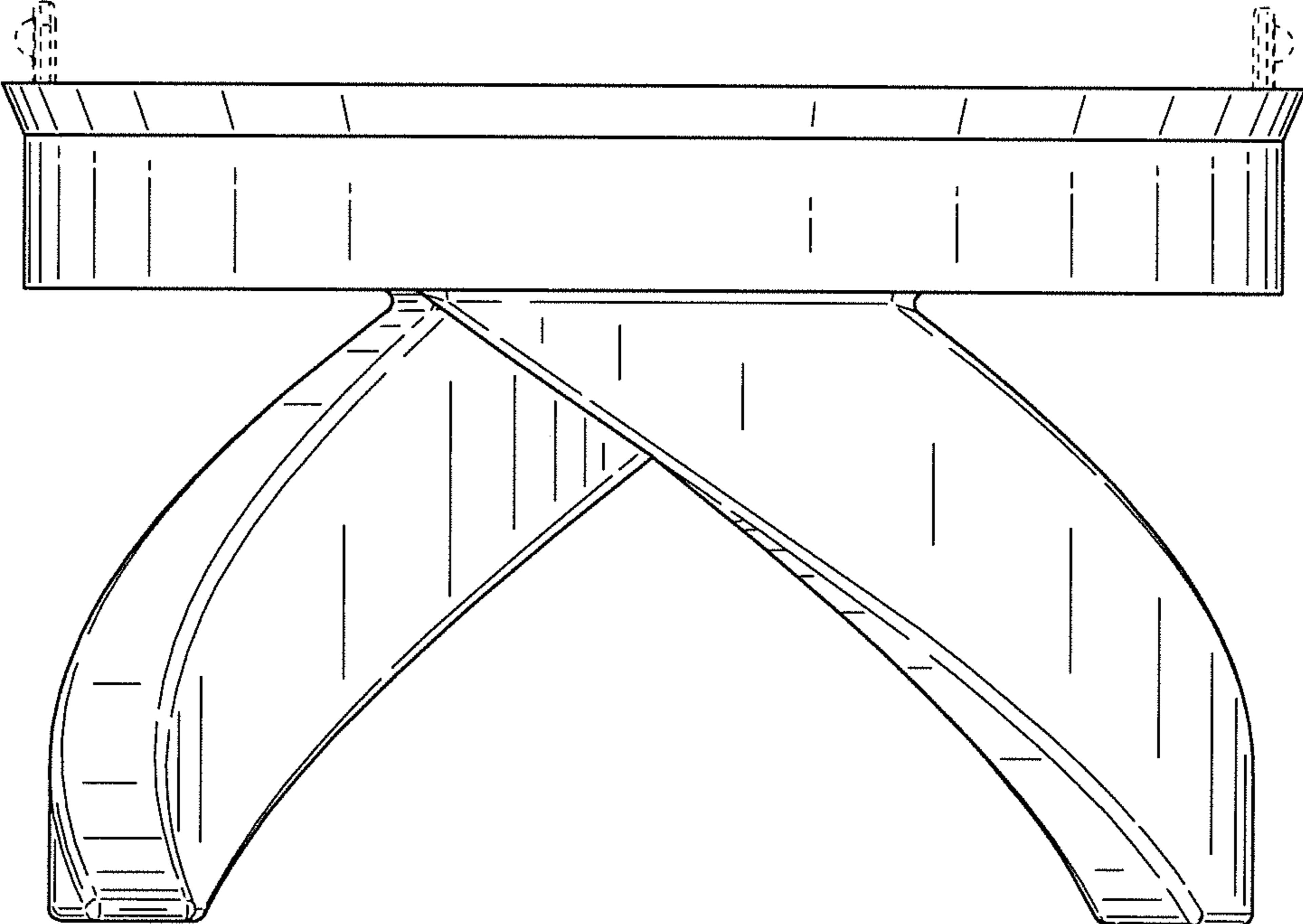


FIG. 6

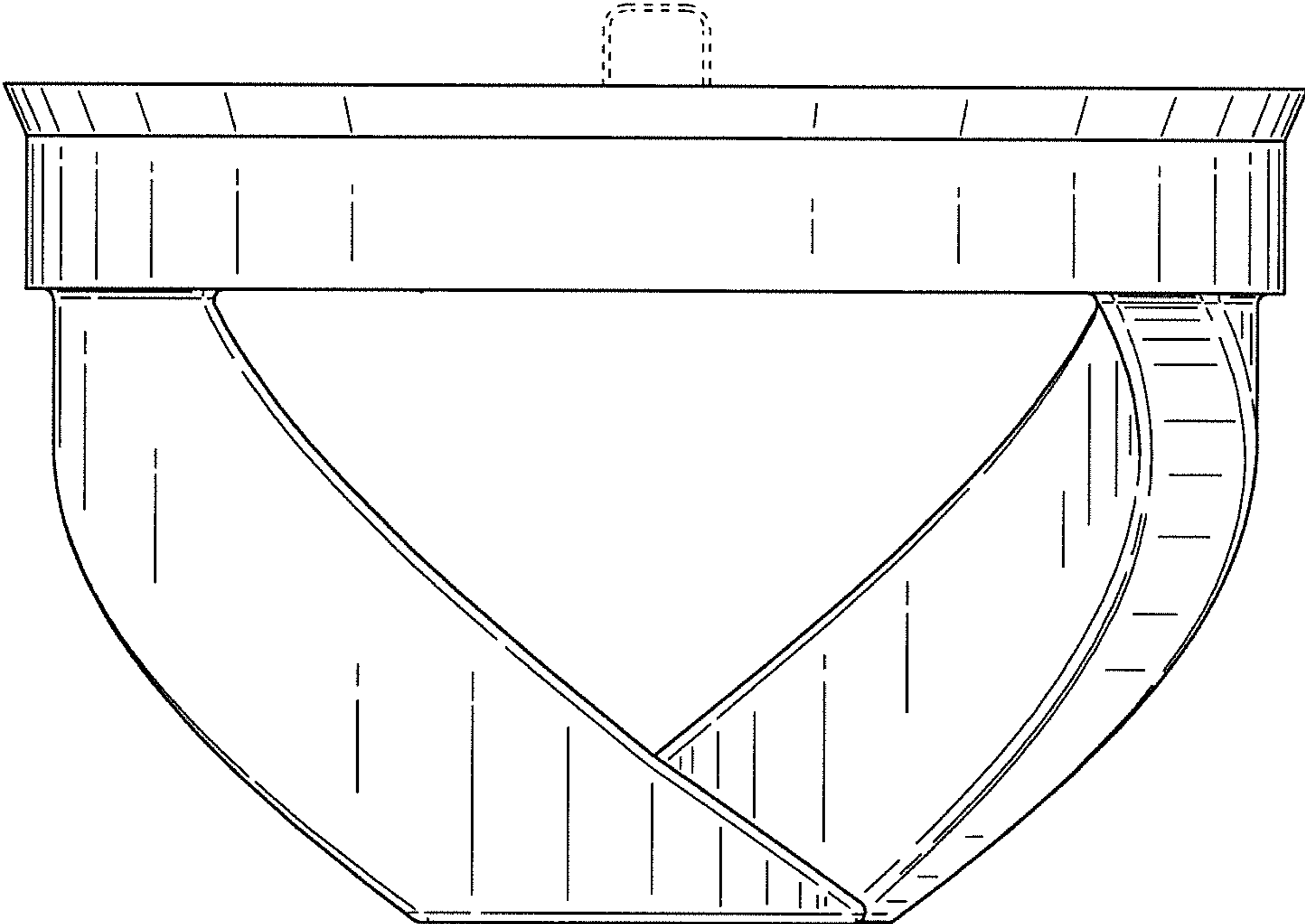


FIG. 7

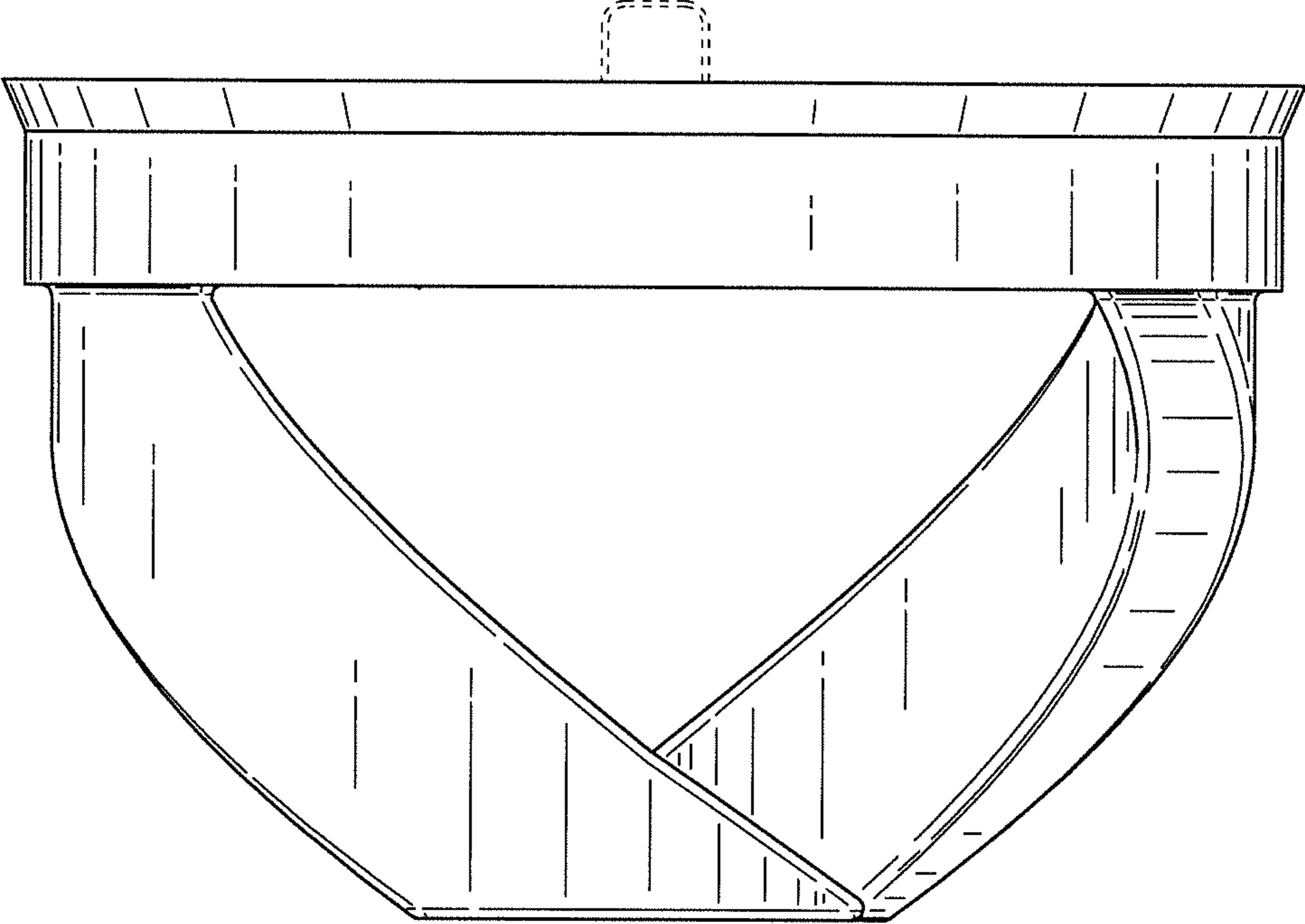


FIG. 8