



US00D943083S

(12) **United States Design Patent**  
**Kumar et al.**

(10) **Patent No.:** **US D943,083 S**

(45) **Date of Patent:** **\*\* Feb. 8, 2022**

- (54) **RADIATOR CLIP**
- (71) Applicant: **CATERPILLAR INC.**, Deerfield, IL (US)
- (72) Inventors: **Virender Kumar**, Dunlap, IL (US);  
**James M. Voelker**, Metamora, IL (US)
- (73) Assignee: **Caterpillar Inc.**, Peoria, IL (US)

4,646,395 A *	3/1987	Mayszak .....	B21D 53/36 24/135 R
D296,417 S *	6/1988	Misono .....	248/74.2
5,205,349 A *	4/1993	Nagao .....	B60H 1/00328 165/153
D335,371 S *	5/1993	Meade .....	D32/60
D371,861 S *	7/1996	Stamm .....	D26/140
5,894,649 A	4/1999	Lambert et al.	
6,357,513 B1 *	3/2002	Janezich .....	F28F 1/02 122/510

(Continued)

- (\*\*) Term: **15 Years**
- (21) Appl. No.: **29/694,908**
- (22) Filed: **Jun. 14, 2019**

**Related U.S. Application Data**

- (63) Continuation of application No. 16/256,119, filed on Jan. 24, 2019, now Pat. No. 11,047,632.

(51) **LOC (13) Cl.** ..... **23-03**

(52) **U.S. Cl.**  
USPC ..... **D23/386**; D8/349

(58) **Field of Classification Search**  
USPC ..... D23/322, 323, 330, 314, 386; D8/349,  
D8/354, 382, 394, 395; D12/400, 223  
CPC ..... F28F 9/0138; F28F 2275/08; F28F 1/30;  
F28F 1/126; F28F 2255/143; F28F 9/002;  
F28F 2275/085; F28D 1/024; F28D  
1/05316; Y10S 165/426; H05K 7/20418  
See application file for complete search history.

(56) **References Cited**

**U.S. PATENT DOCUMENTS**

2,862,693 A *	12/1958	Tinker .....	F28F 9/0138 165/149
3,266,563 A *	8/1966	Sinclair .....	F24D 19/00 165/82
3,398,786 A *	8/1968	McNabney .....	F24H 3/006 165/55
D274,691 S *	7/1984	Wallace .....	D8/336
4,570,704 A *	2/1986	Braun .....	F28F 1/126 165/162

**FOREIGN PATENT DOCUMENTS**

WO WO 2018/053584 A1 3/2018

*Primary Examiner* — Holly E Thurman

*Assistant Examiner* — Ieisha N Price

(74) *Attorney, Agent, or Firm* — Finnegan, Henderson, Farabow, Garrett & Dunner, LLP

(57) **CLAIM**

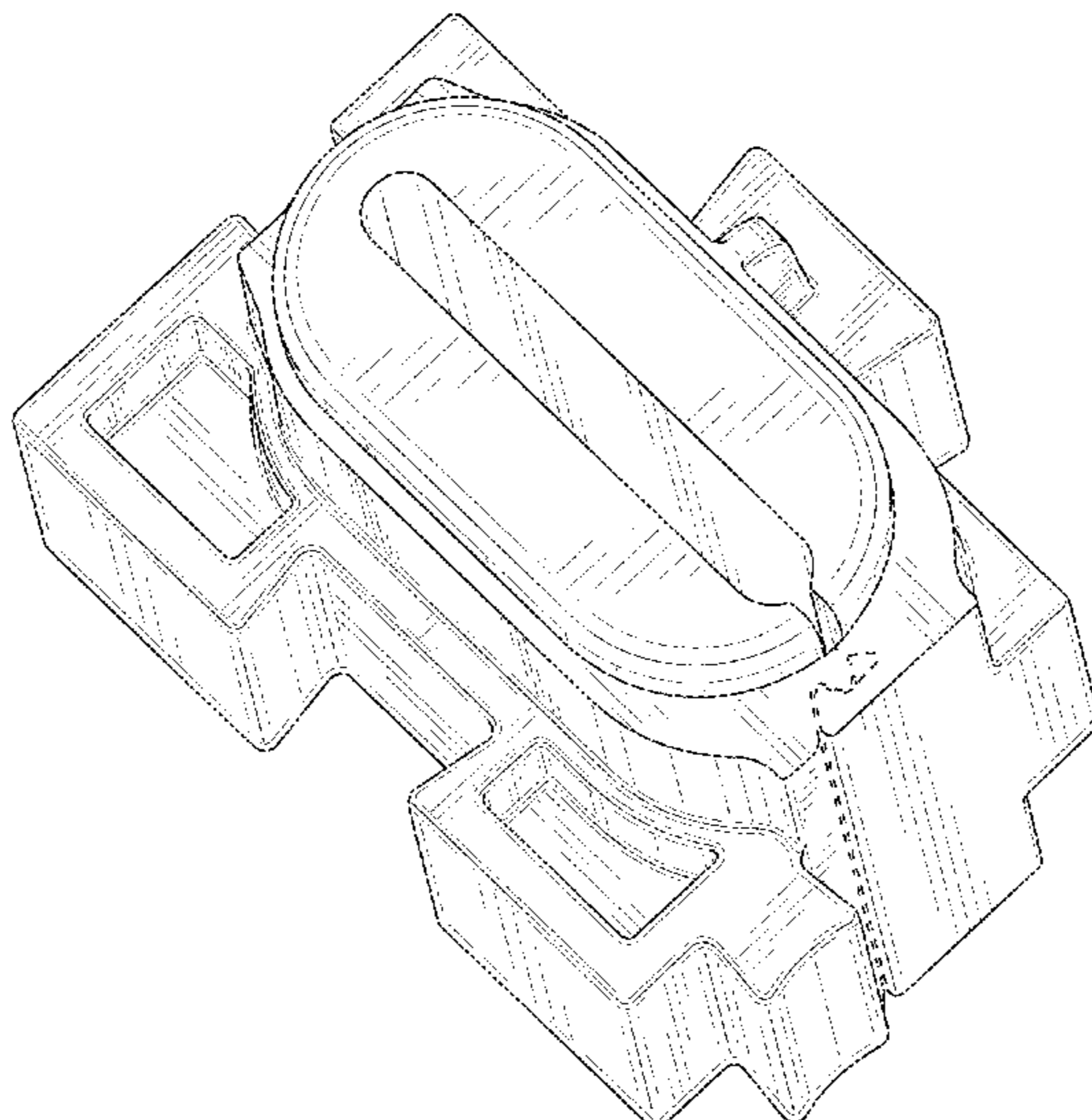
The ornamental design for a radiator clip, as shown and described.

**DESCRIPTION**

FIG. 1 is a front, top, left perspective view of a radiator clip showing the new design;  
 FIG. 2 is a rear, bottom, right perspective view thereof;  
 FIG. 3 is a bottom plan view thereof;  
 FIG. 4 is a top plan view thereof;  
 FIG. 5 is a left-side elevation view thereof;  
 FIG. 6 is a right-side elevation view thereof;  
 FIG. 7 is a front elevation view thereof;  
 FIG. 8 is a rear elevation view thereof; and,  
 FIG. 9 is a cross-sectional view thereof as indicated in FIG. 8.

The broken lines of even length shown in the drawings illustrate portions of the radiator clip that form no part of the claimed design.

**1 Claim, 9 Drawing Sheets**



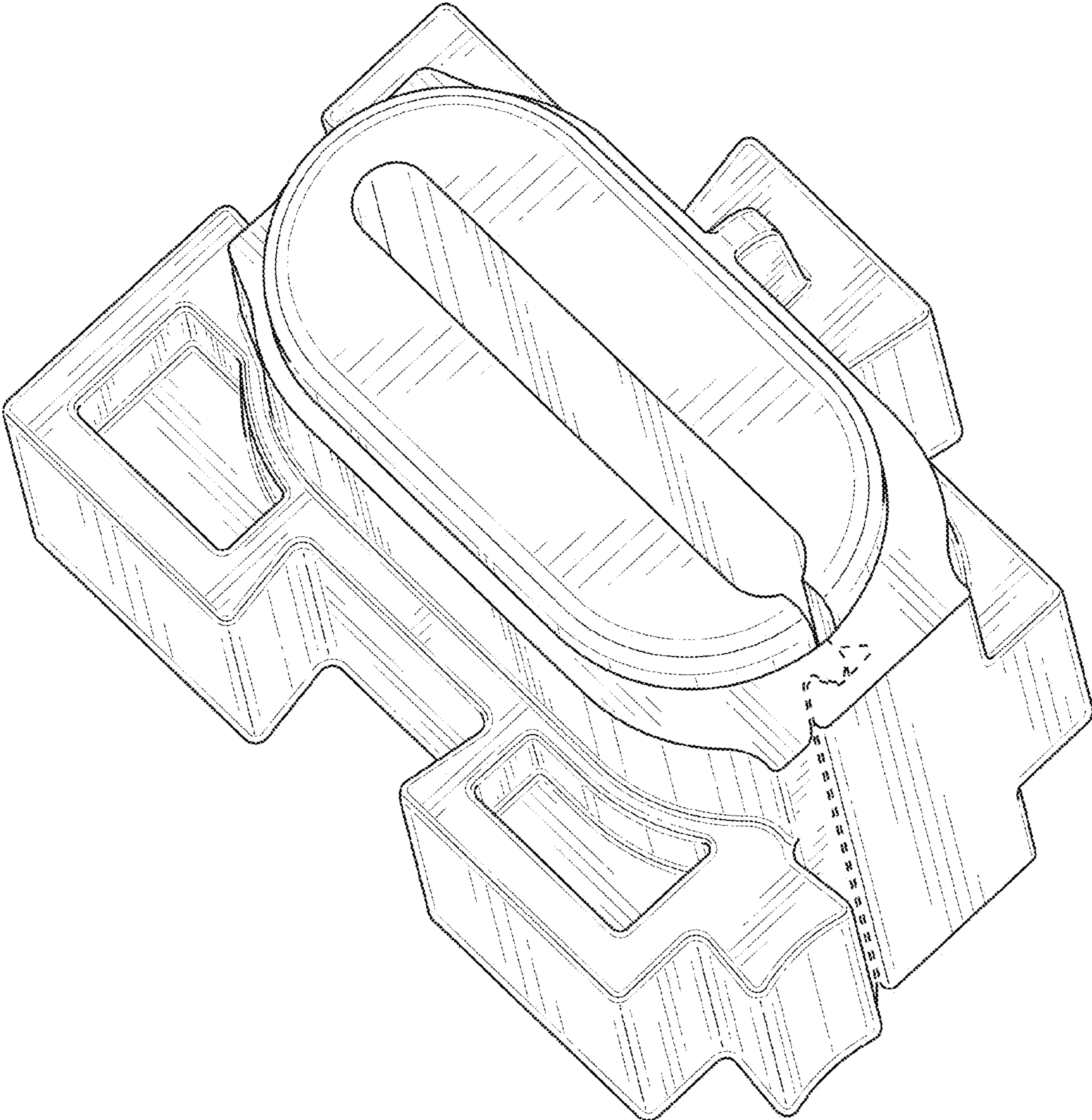
(56)

**References Cited**

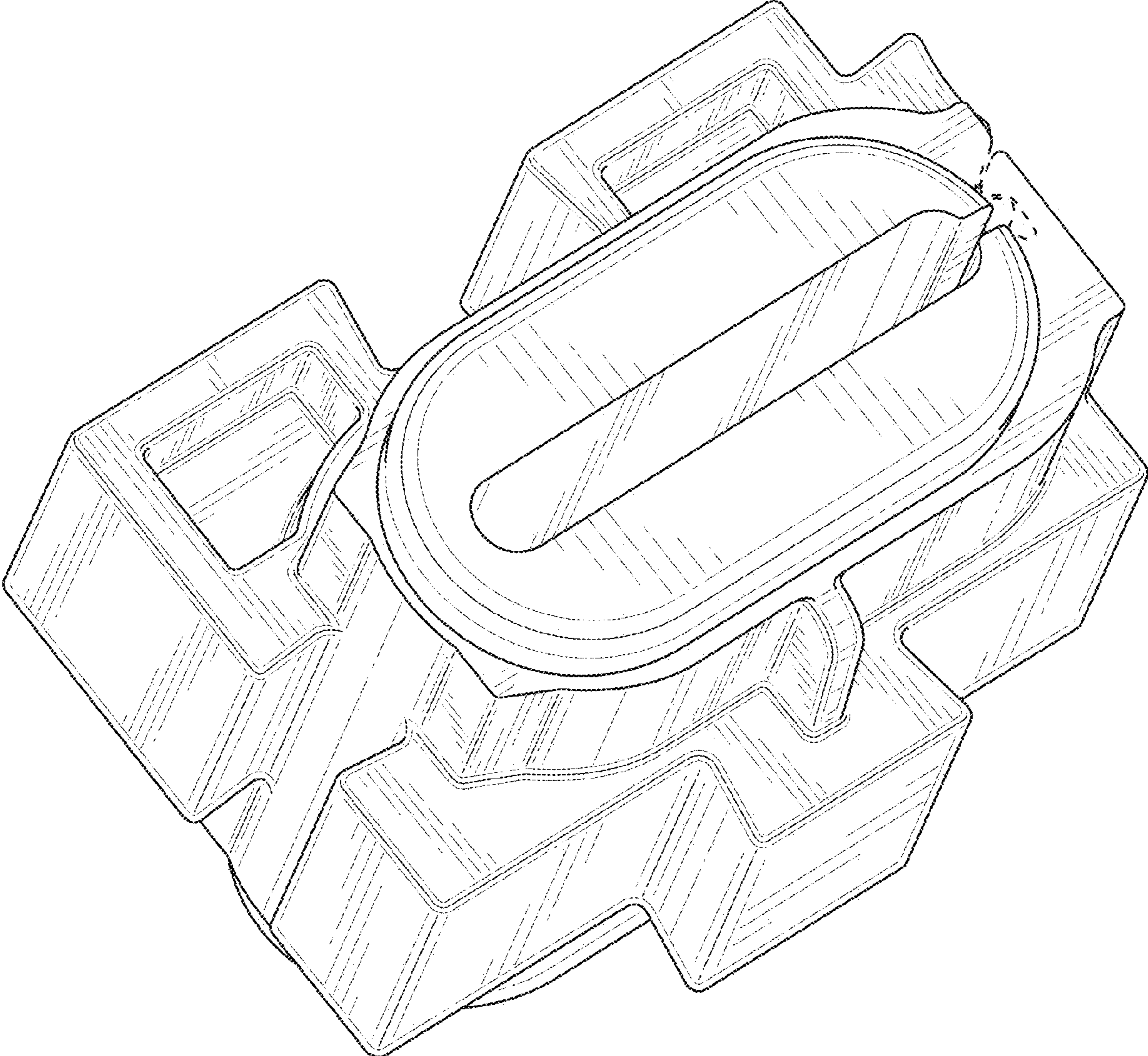
## U.S. PATENT DOCUMENTS

D522,852	S *	6/2006	Nawrocki	.....	D8/395
D531,891	S *	11/2006	Nawrocki	.....	D8/395
D687,698	S *	8/2013	Machijima	.....	D8/354
D696,106	S *	12/2013	Tachibana	.....	D8/395
8,826,538	B2 *	9/2014	Itoh	.....	B60K 11/04 29/890.03
9,714,798	B2 *	7/2017	Kinder	.....	F28D 1/0341
9,909,821	B2 *	3/2018	Bardeleben	.....	F28F 3/025
11,035,615	B2 *	6/2021	Tan	.....	F28D 1/05316
2002/0003034	A1 *	1/2002	Fukuoka	.....	F28F 9/002 165/67
2002/0157812	A1 *	10/2002	Anderson	.....	F28D 1/0435 165/67
2005/0236140	A1 *	10/2005	Sheppard	.....	F28F 9/002 165/67
2006/0054306	A1 *	3/2006	Kent	.....	F28F 9/002 165/67
2014/0284037	A1 *	9/2014	Mokire	.....	F28F 1/025 165/183
2018/0224221	A1	8/2018	Kennedy et al.		
2018/0266775	A1 *	9/2018	Farlow	.....	F28F 1/126
2020/0064073	A1 *	2/2020	Tan	.....	F28F 1/30
2020/0240722	A1 *	7/2020	Tan	.....	B60K 11/04
2020/0240723	A1 *	7/2020	Tan	.....	F28F 9/0138
2020/0303869	A1 *	9/2020	Takagi	.....	H01R 31/08

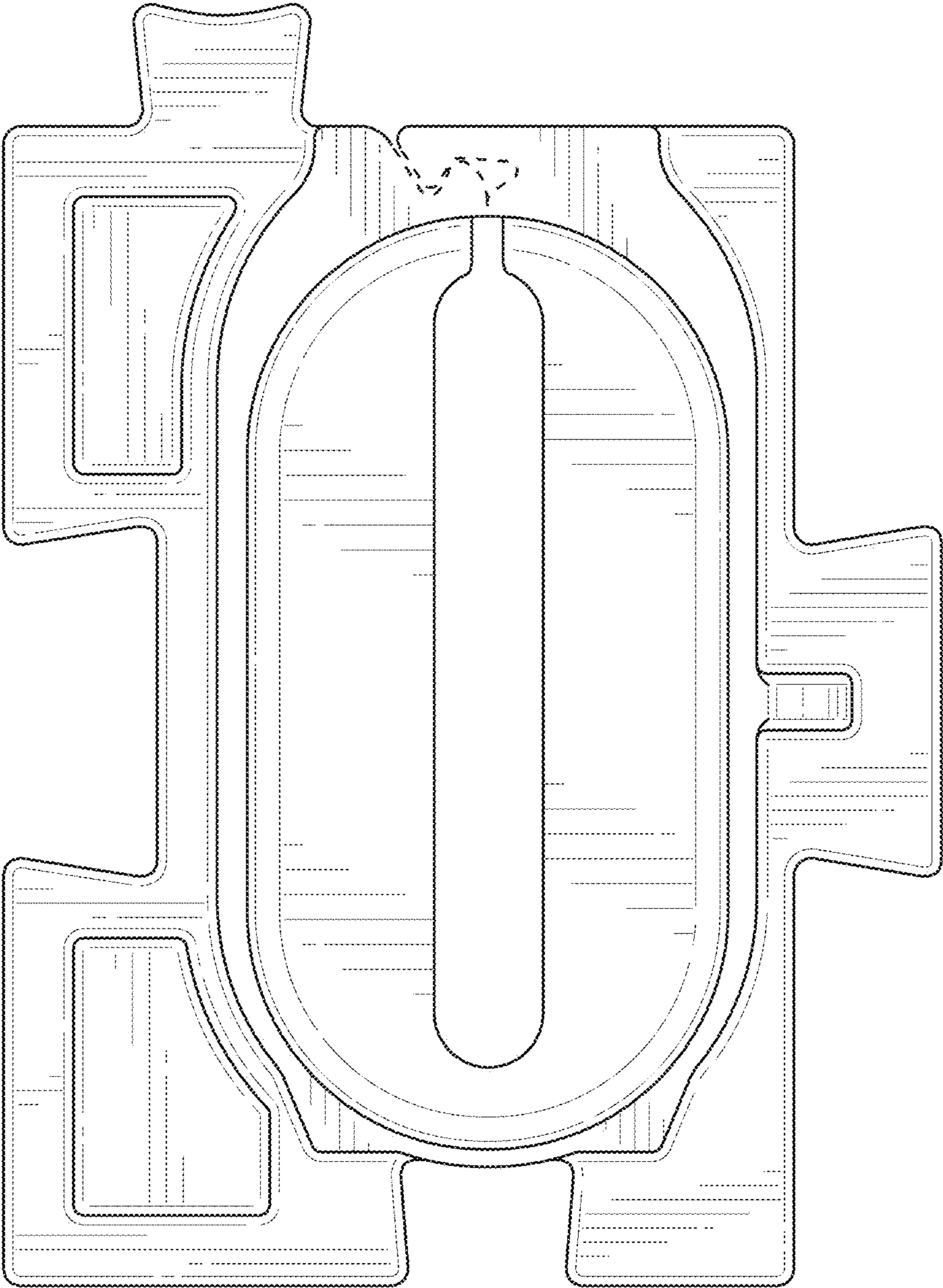
\* cited by examiner



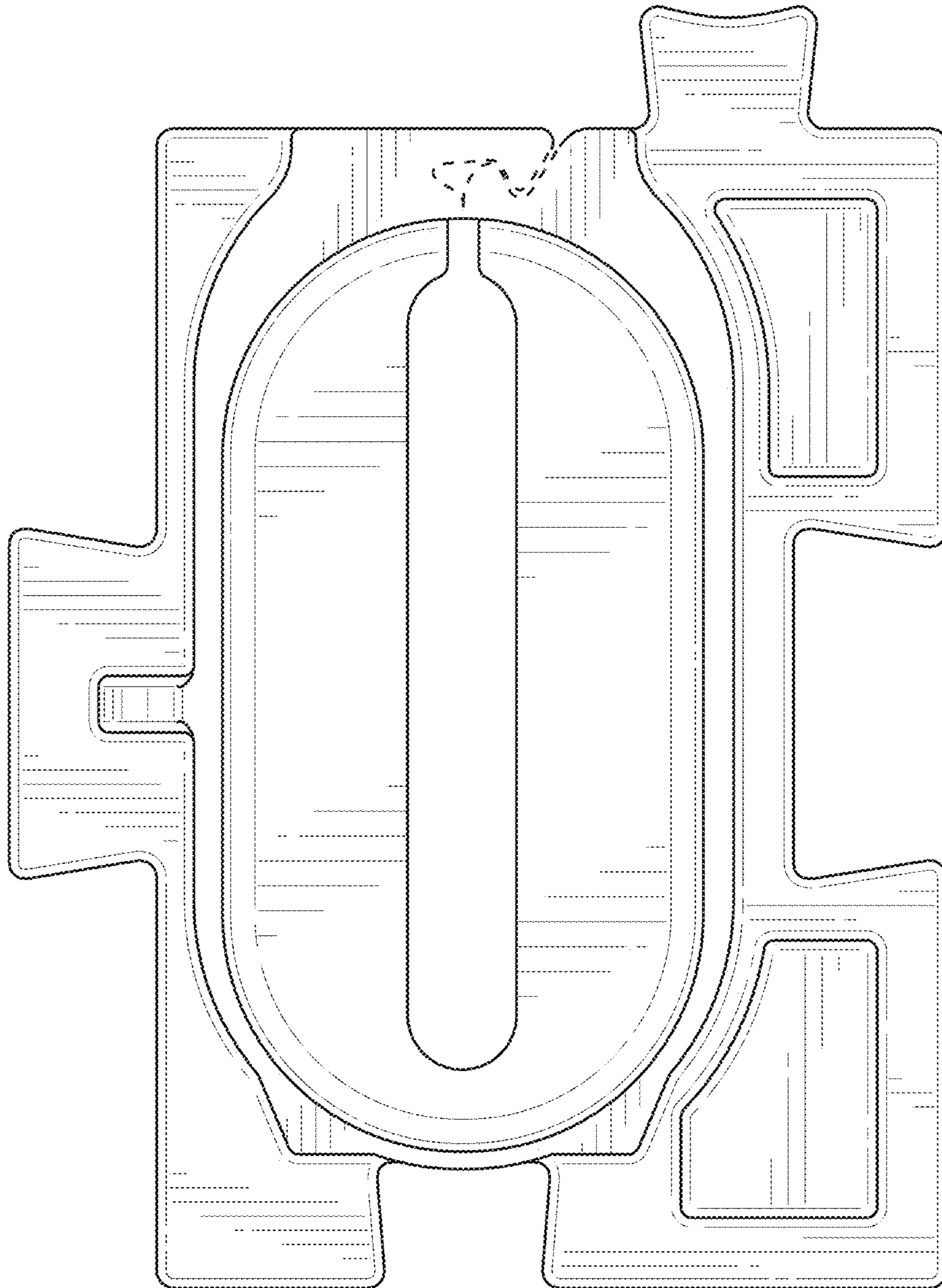
**FIG. 1**



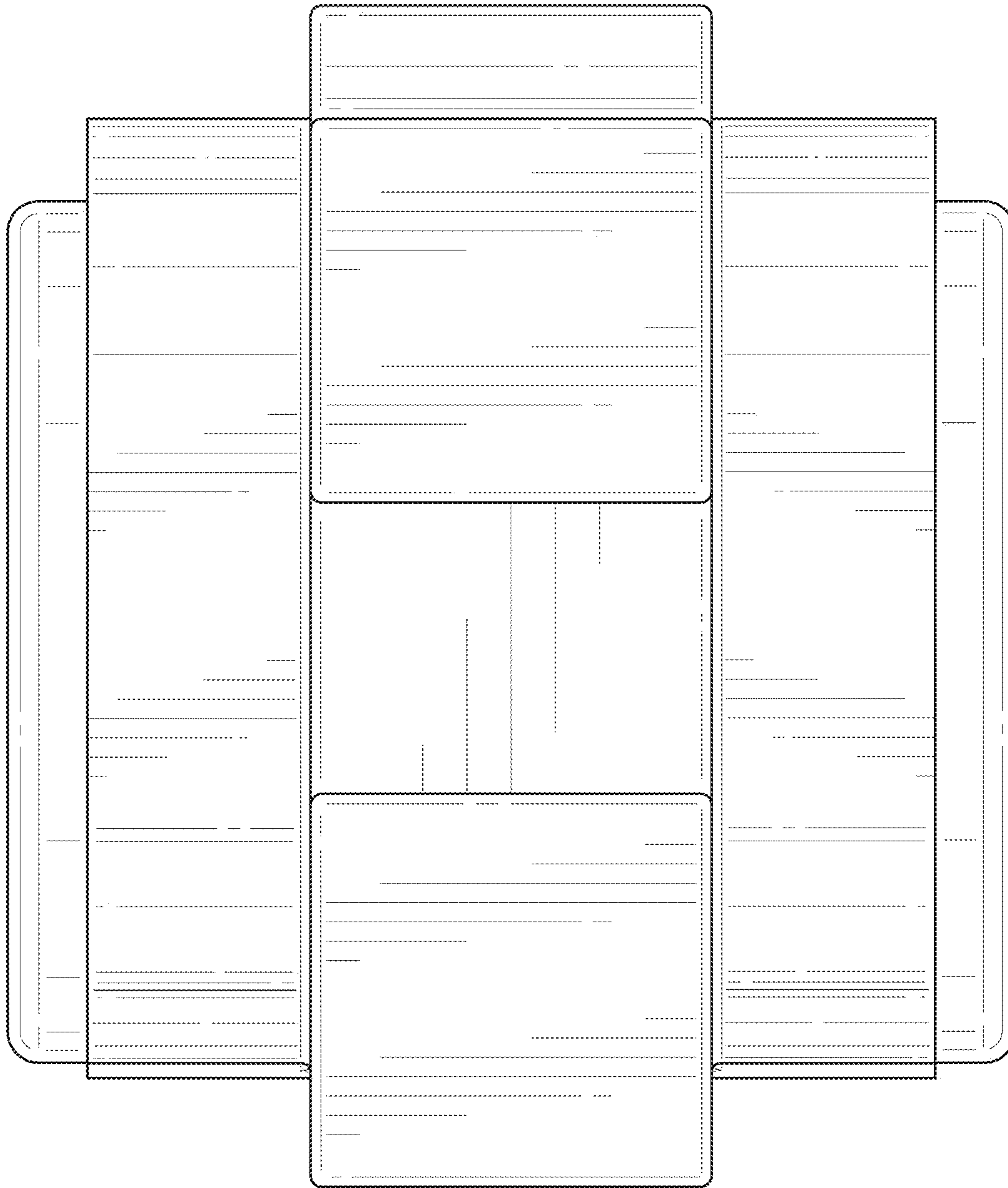
**FIG. 2**



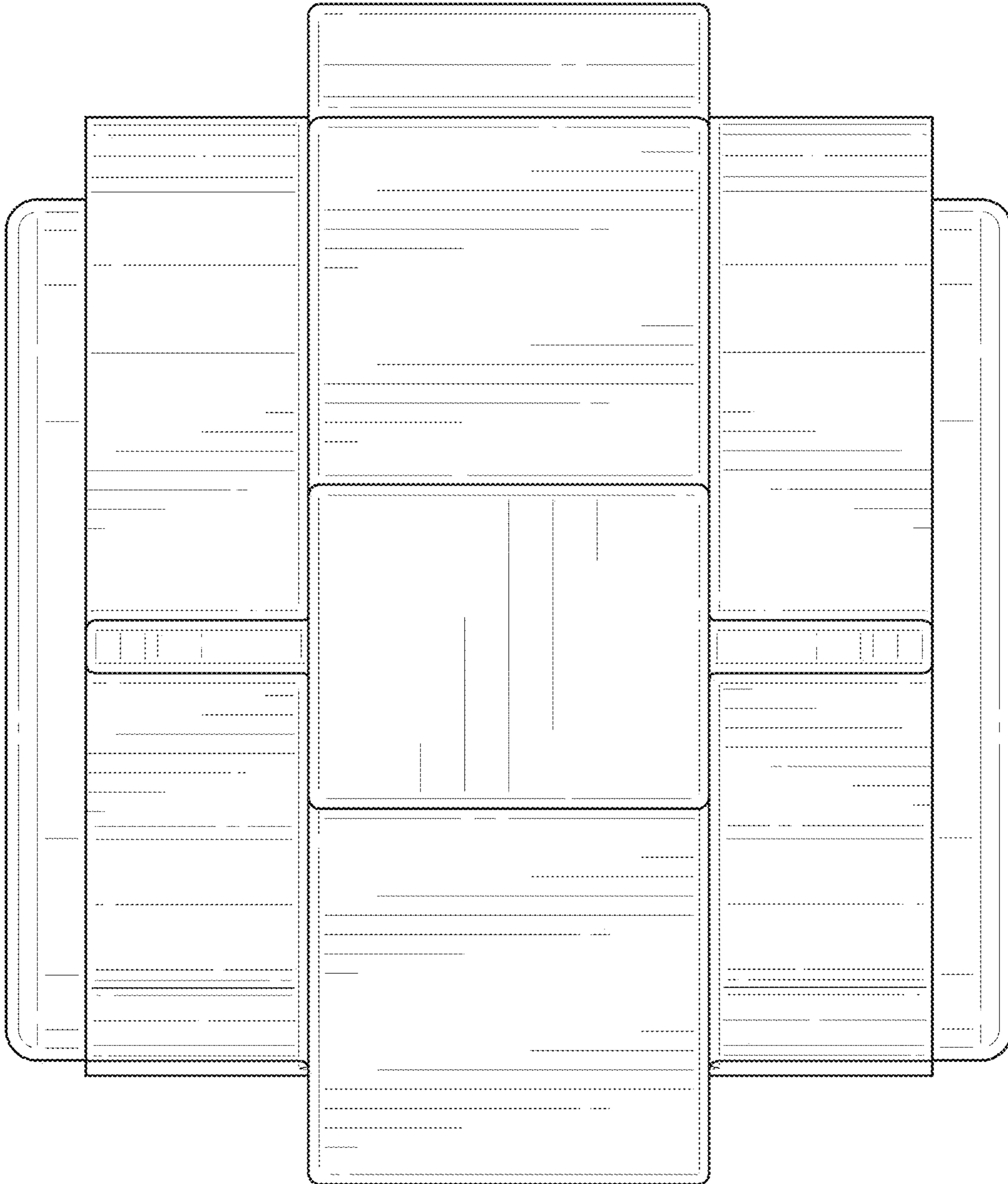
**FIG. 3**



**FIG. 4**

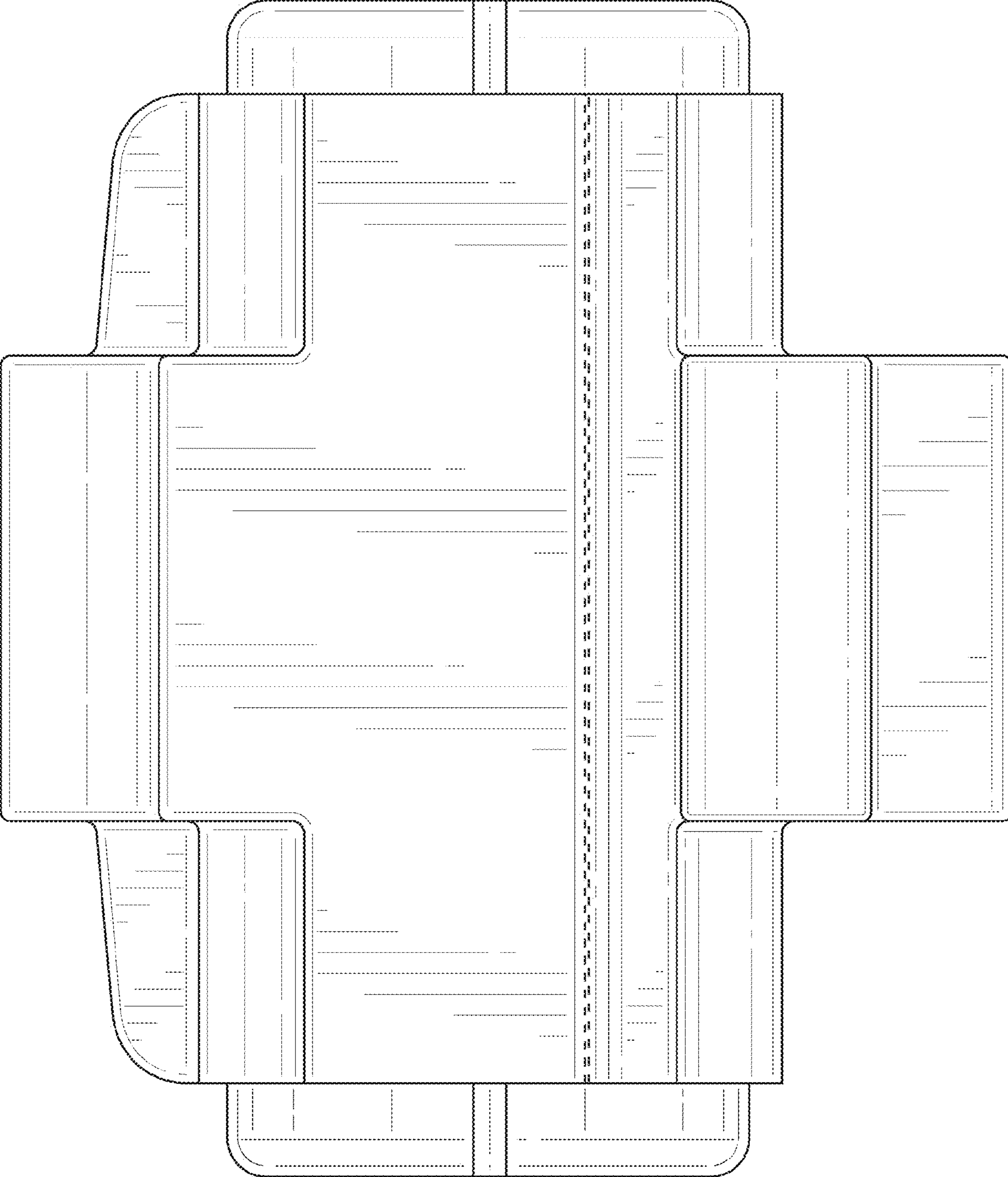


**FIG. 5**

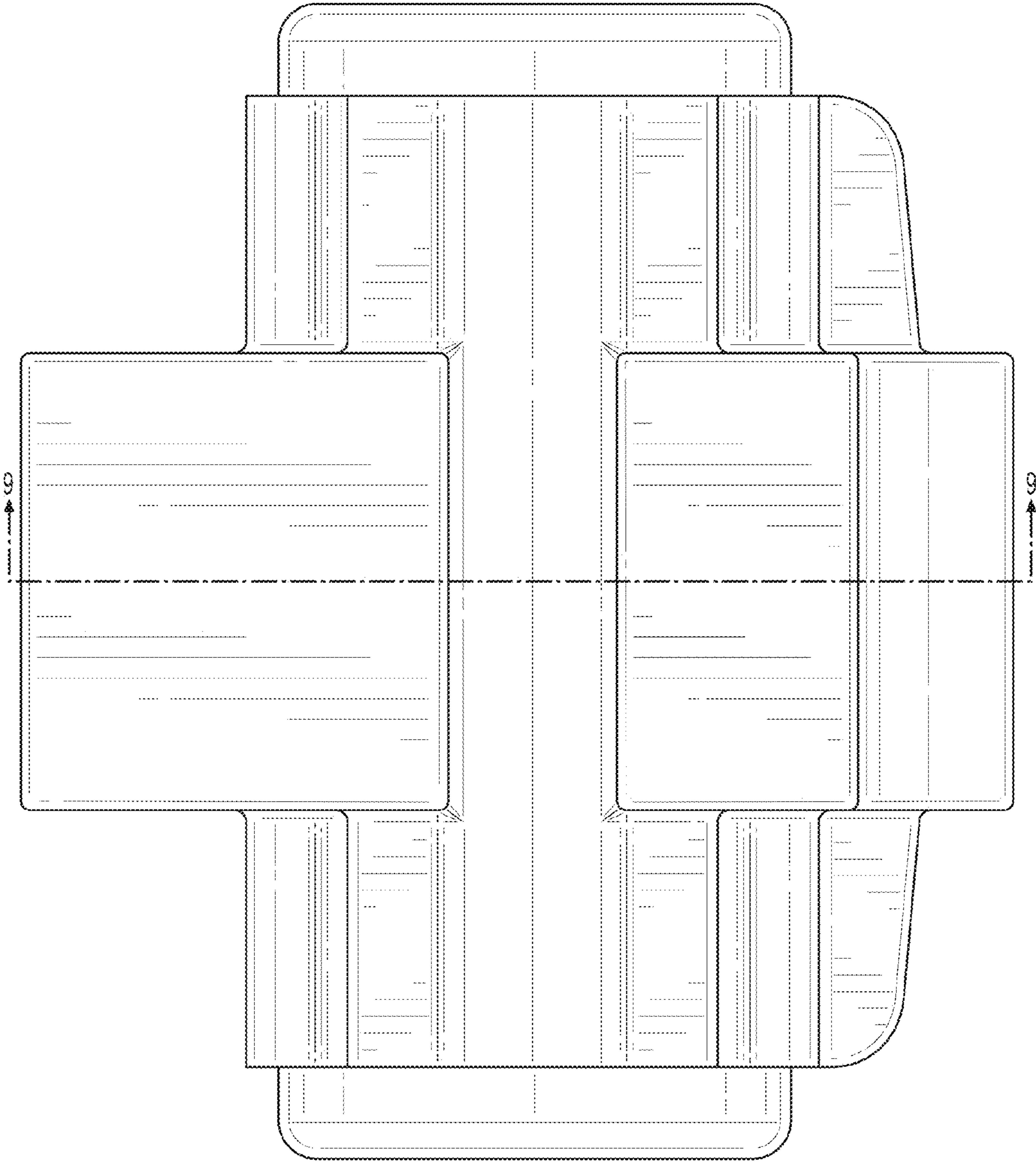


**FIG. 6**

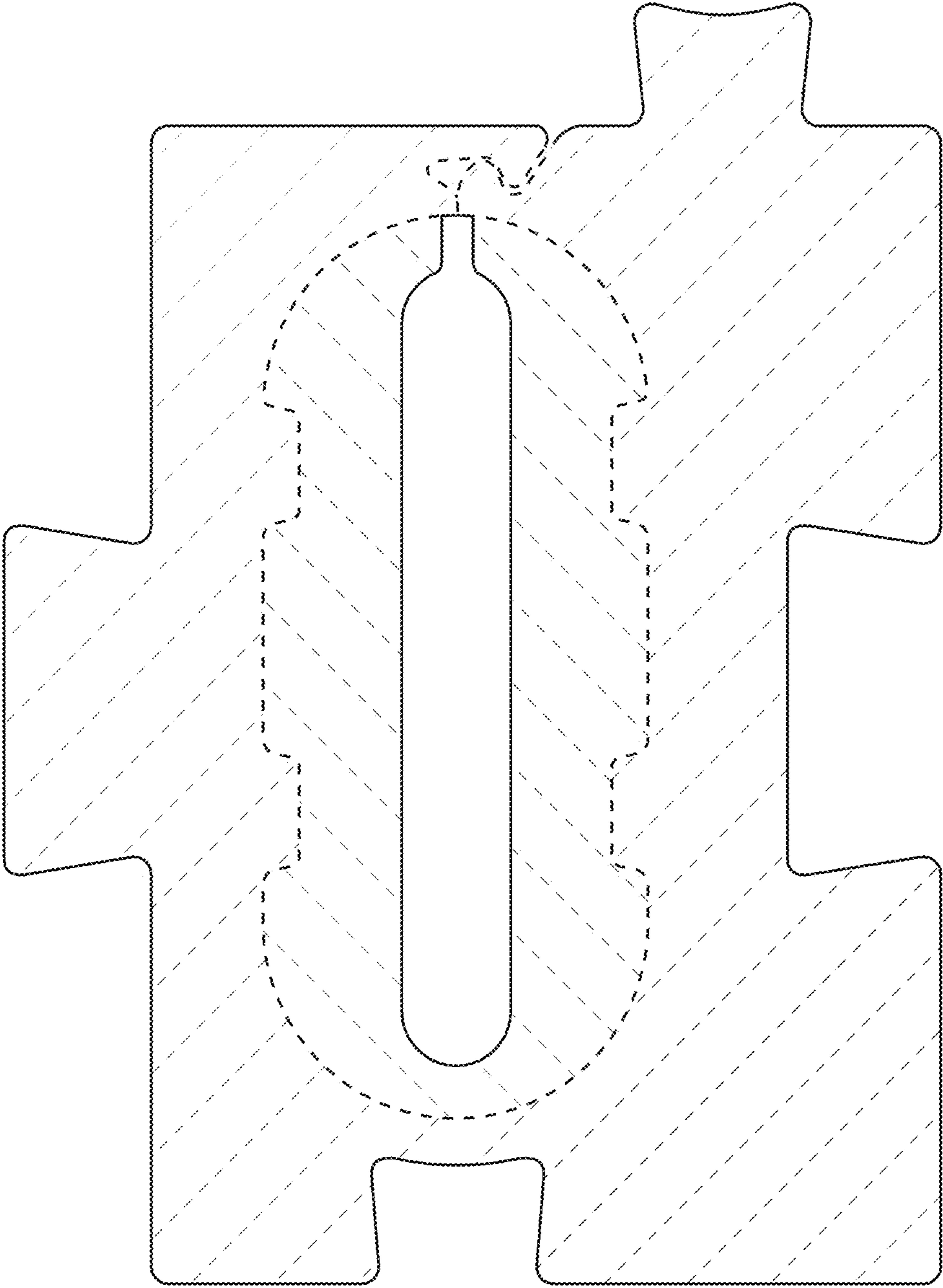




**FIG. 7**



**FIG. 8**



**FIG. 9**