



US00D943082S

(12) **United States Design Patent**  
**Zeng et al.**

(10) **Patent No.:** **US D943,082 S**

(45) **Date of Patent:** **\*\* Feb. 8, 2022**

- (54) **FAN**
- (71) Applicant: **O2COOL, LLC**, Chicago, IL (US)
- (72) Inventors: **Tom Zeng**, Shenzhen (CN); **Eric F. Junkel**, Mount Prospect, IL (US)
- (73) Assignee: **O2COOL, LLC**, Chicago, IL (US)
- (\*\*) Term: **15 Years**
- (21) Appl. No.: **29/730,374**
- (22) Filed: **Apr. 3, 2020**
- (51) **LOC (13) Cl.** ..... **23-04**
- (52) **U.S. Cl.**  
USPC ..... **D23/382**
- (58) **Field of Classification Search**  
USPC ..... D23/200, 223, 228, 314, 328, 332, 333,  
D23/335, 336, 337, 351, 355, 356, 370,  
D23/371, 378-380, 381, 382, 383,  
D23/411-412  
CPC .... F04D 25/0673; F04D 25/08; F04D 25/084;  
F04D 29/4226  
See application file for complete search history.

D907,188 S \* 1/2021 Zhang ..... D23/382  
D907,189 S \* 1/2021 Zhang ..... D23/382  
D908,858 S \* 1/2021 Yang ..... D23/382  
2019/0338786 A1 \* 11/2019 Jones ..... F04D 19/002

**OTHER PUBLICATIONS**

Product Information for Otto Fan, Stadler Form, retrieved on Mar. 17, 2020, from <https://www.stadlerform.com/en-ch/products/fan/otto/information/>.

\* cited by examiner

*Primary Examiner* — Sharon S Oum

(74) *Attorney, Agent, or Firm* — Thompson Coburn LLP

(57) **CLAIM**

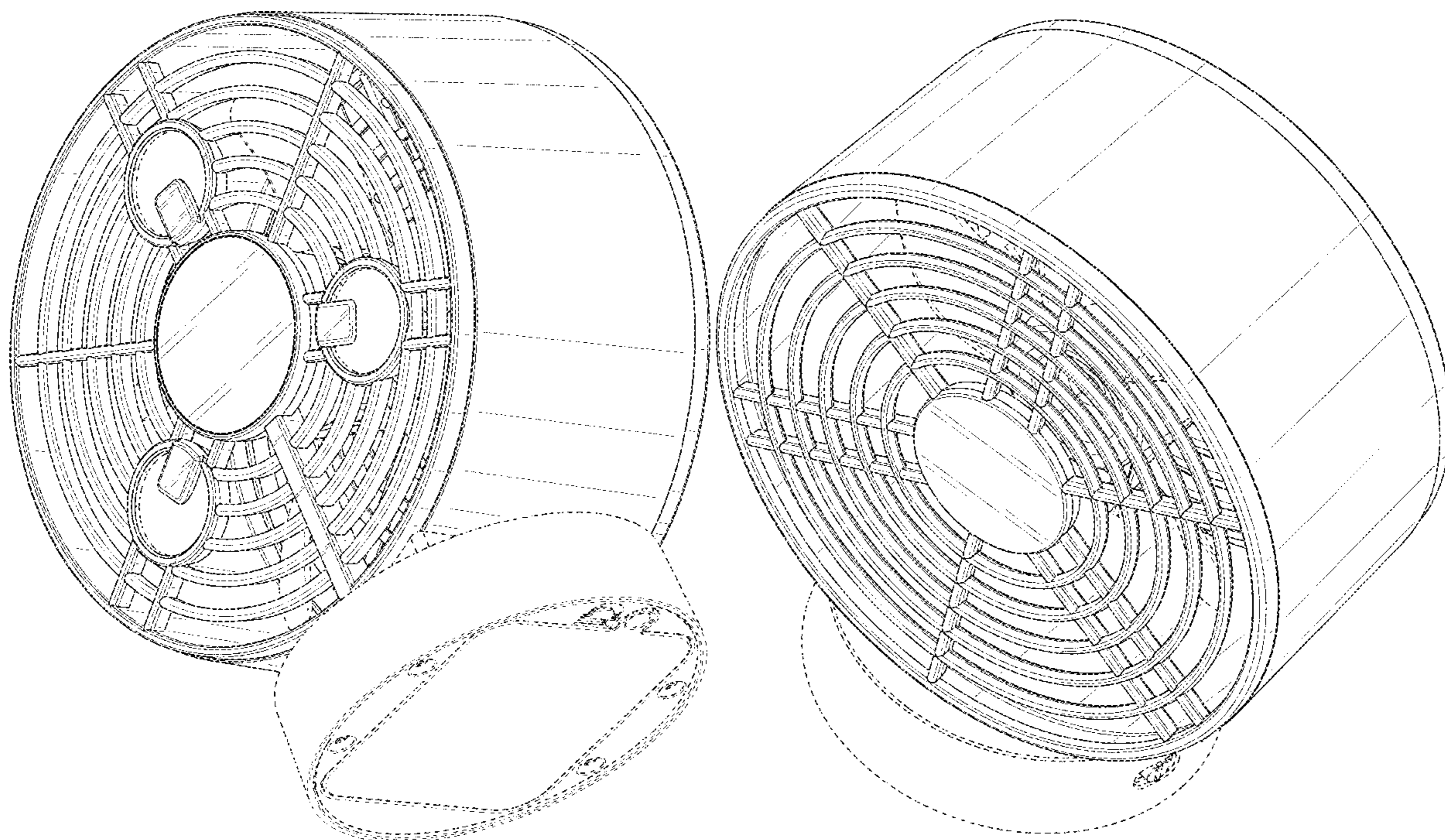
The ornamental design for a fan, as shown and described.

**DESCRIPTION**

FIG. 1 is a first perspective view of the fan showing our new design;  
FIG. 2 is a left side view thereof;  
FIG. 3 is a right side view thereof;  
FIG. 4 is a front view thereof;  
FIG. 5 is a rear view thereof;  
FIG. 6 is a top view thereof;  
FIG. 7 is a bottom view thereof; and,  
FIG. 8 is a second perspective view thereof.  
The dash-dot-dash broken lines immediately adjacent the shaded areas represent the bounds of the claimed design while all other broken lines are directed to portions of the fan. The broken lines form no part of the claimed design.

**1 Claim, 8 Drawing Sheets**

- (56) **References Cited**  
U.S. PATENT DOCUMENTS  
D597,195 S 7/2009 Zhuang  
D674,476 S \* 1/2013 Junkel ..... D23/370  
D846,108 S \* 4/2019 Ruan ..... D23/370  
D855,171 S \* 7/2019 Xu ..... D23/382  
D859,620 S \* 9/2019 Le ..... D23/335



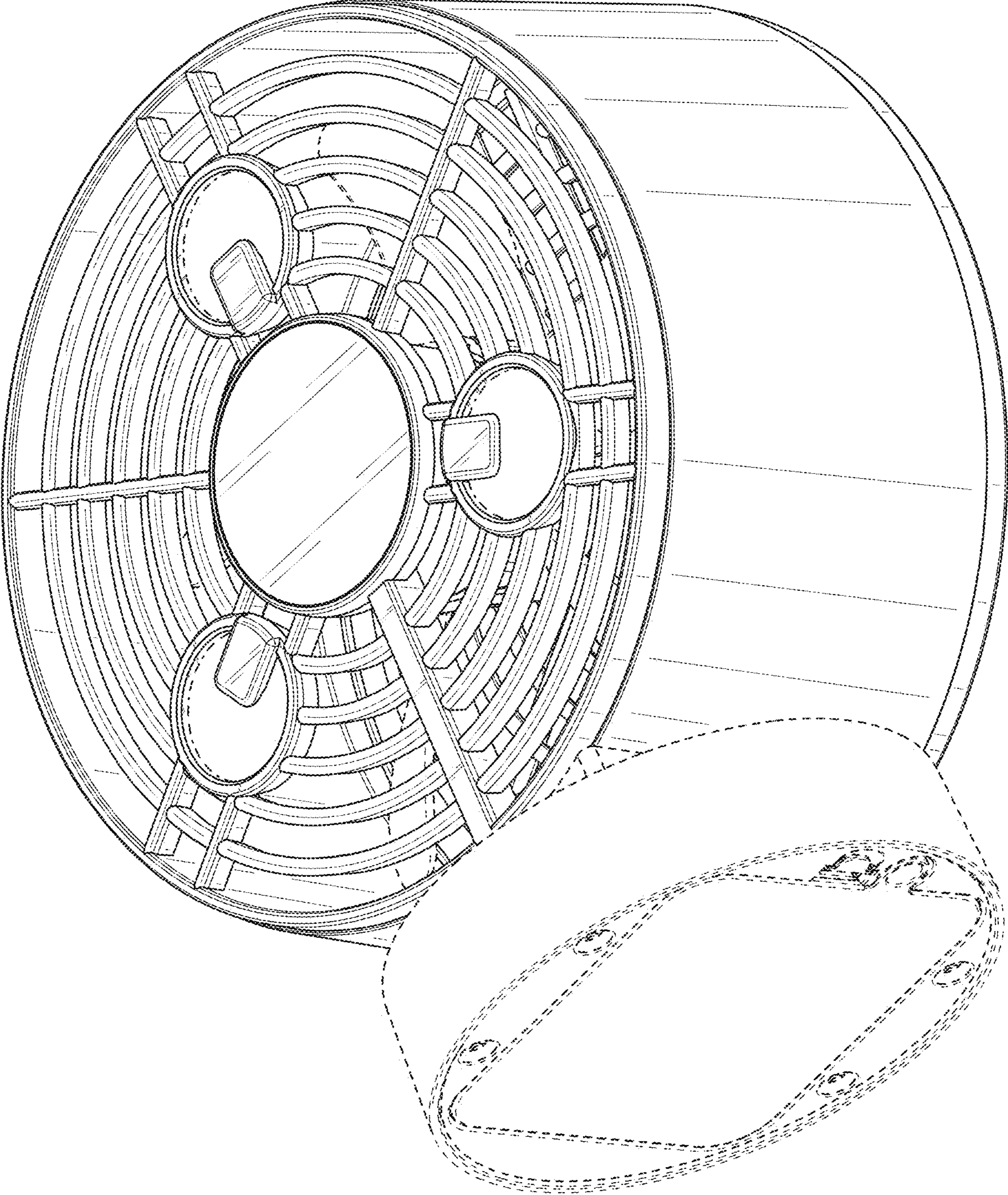


FIG. 1

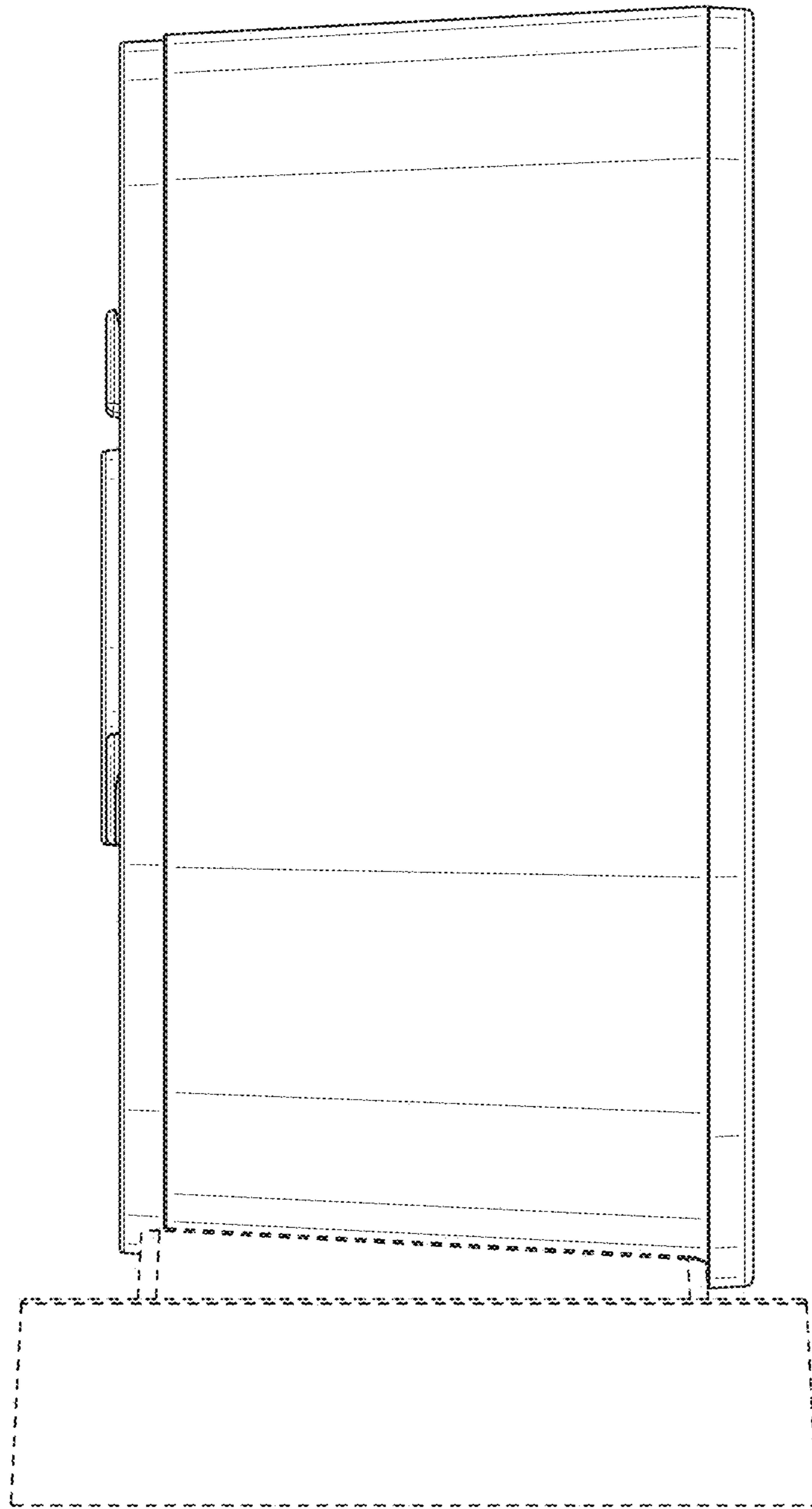


FIG. 2

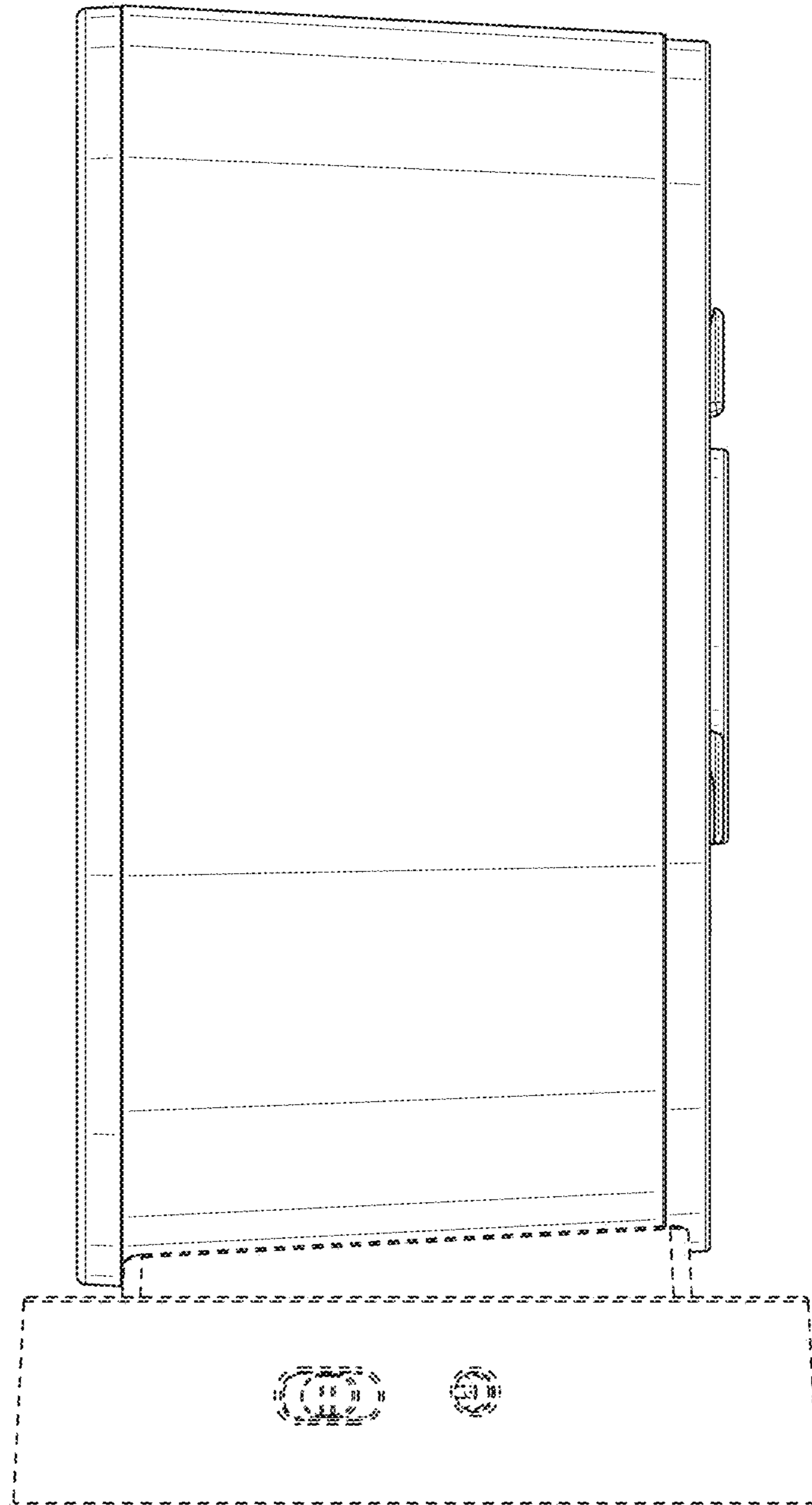


FIG. 3

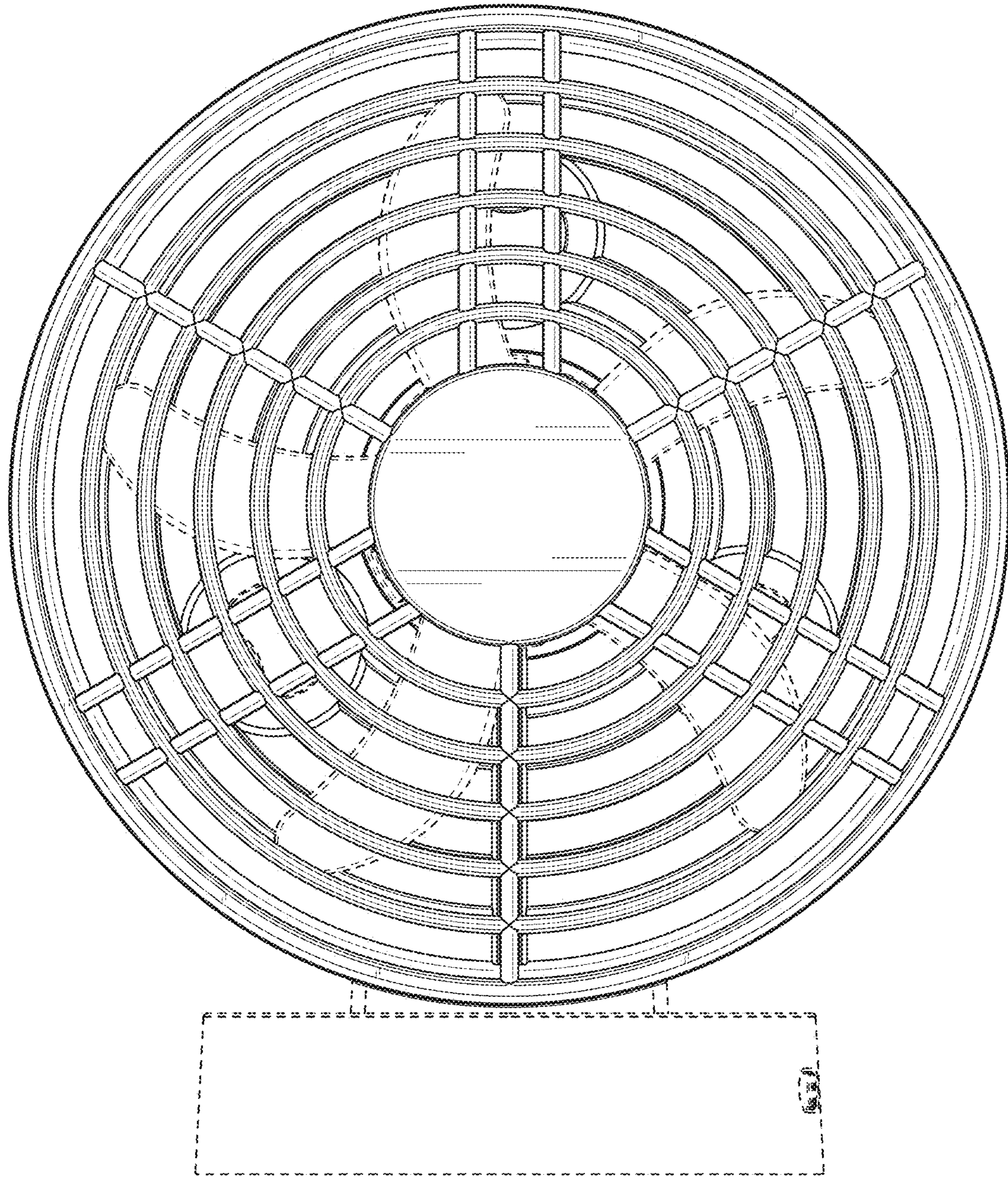


FIG. 4

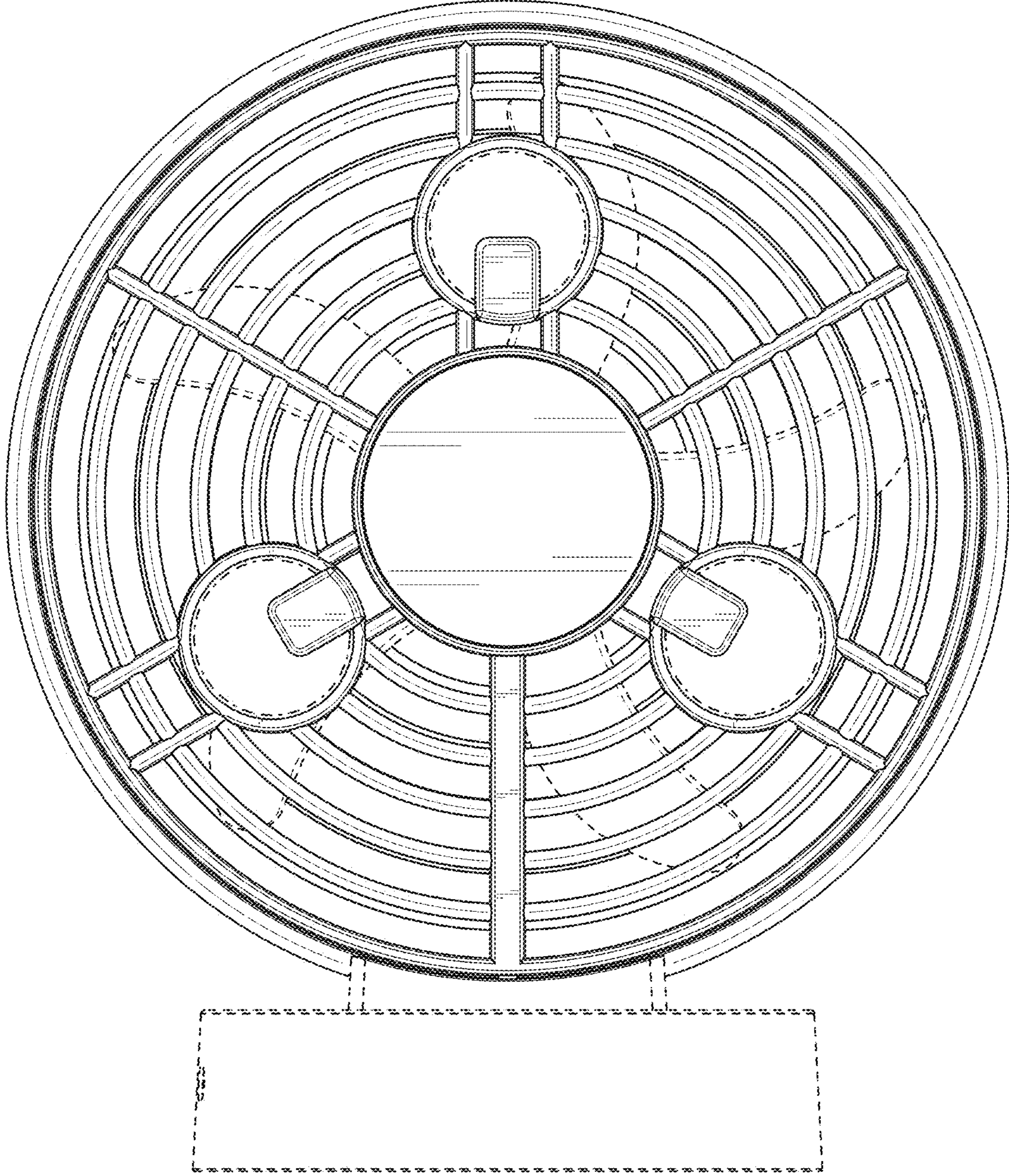


FIG. 5

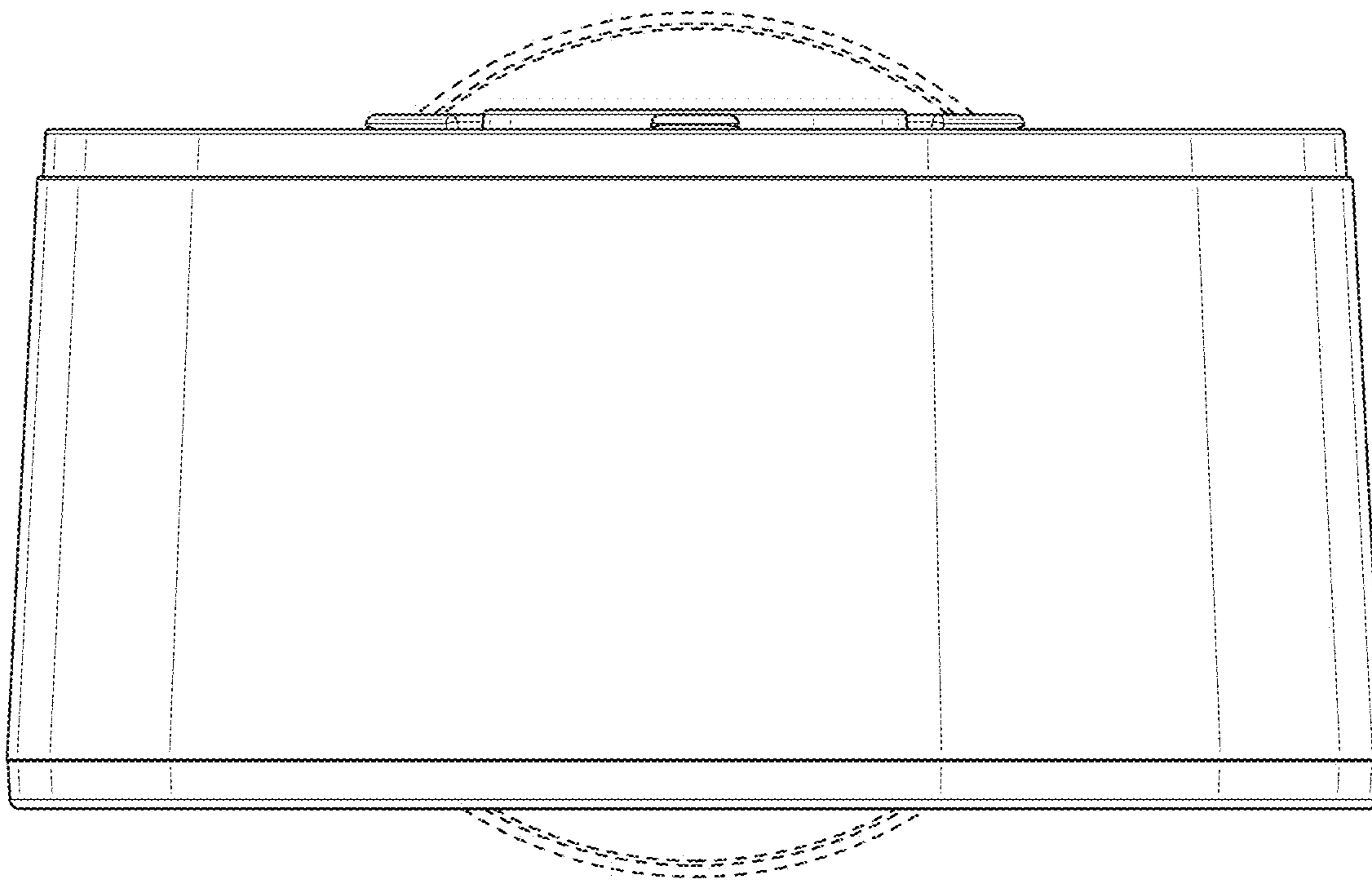


FIG. 6

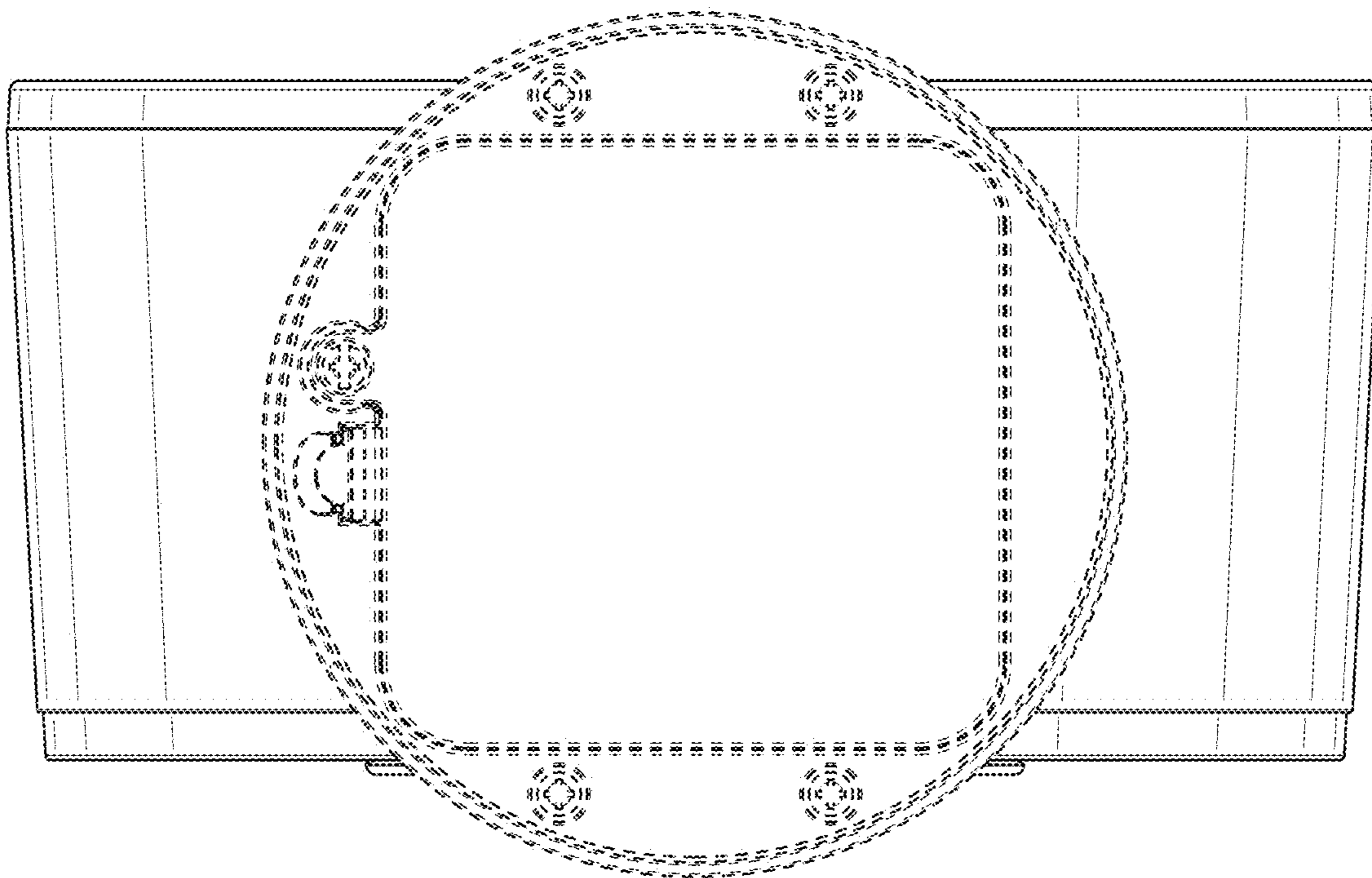


FIG. 7



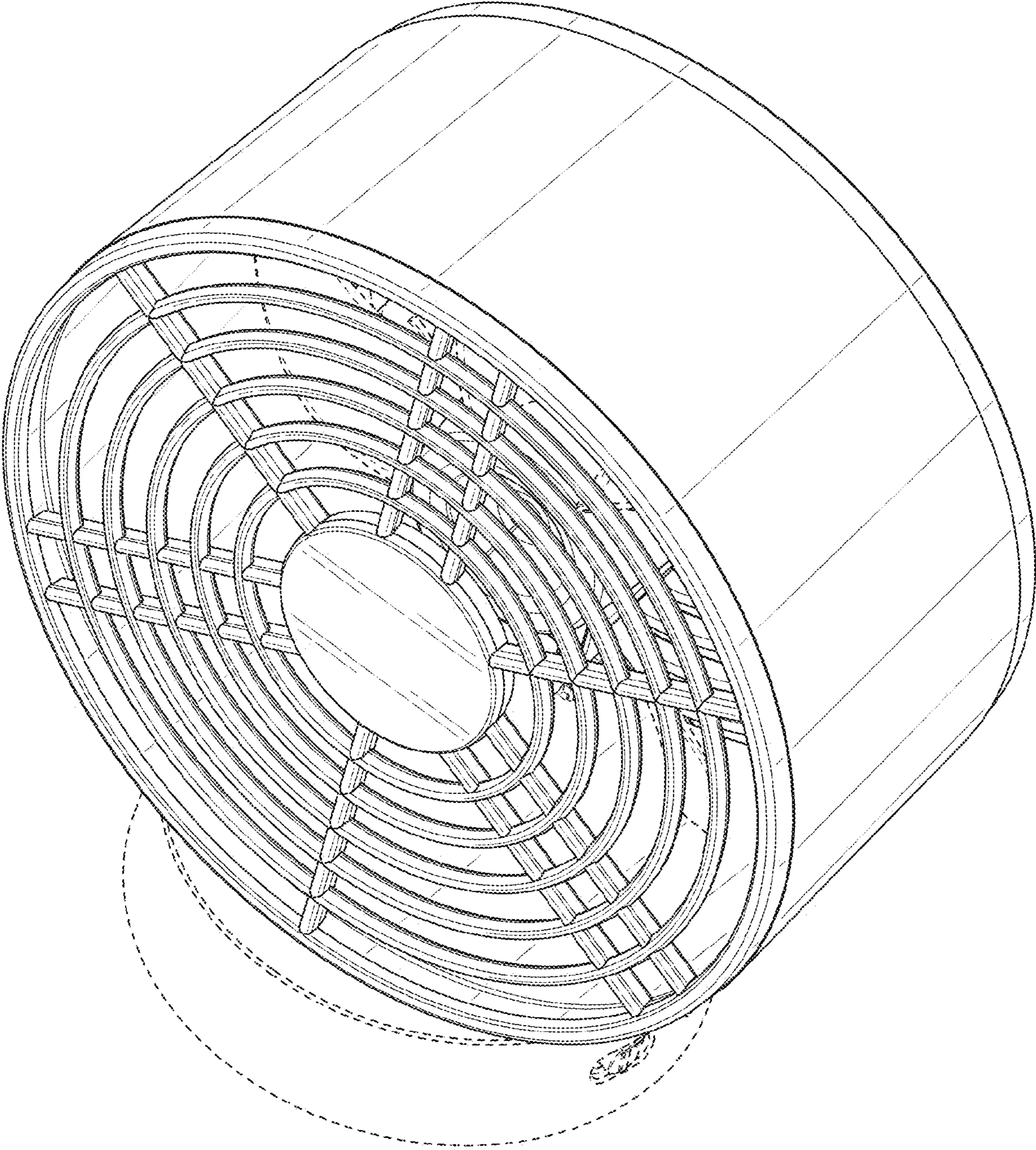


FIG. 8