



US00D943080S

(12) **United States Design Patent**
Breit et al.

(10) **Patent No.:** **US D943,080 S**

(45) **Date of Patent:** **** Feb. 8, 2022**

- (54) **FAN**
- (71) Applicant: **O2COOL, LLC**, Chicago, IL (US)
- (72) Inventors: **Oliver Breit**, Discovery Bay (HK);
Mak Shek Fung, Kowloon (HK); **Tom Zeng**, Shenzhen (CN); **Eric F. Junkel**, Mount Pleasant, IL (US)
- (73) Assignee: **O2COOL, LLC**, Chicago, IL (US)
- (**) Term: **15 Years**
- (21) Appl. No.: **29/728,294**
- (22) Filed: **Mar. 17, 2020**
- (51) **LOC (13) Cl.** **23-04**
- (52) **U.S. Cl.**
USPC **D23/381**
- (58) **Field of Classification Search**
USPC D23/200, 223, 228, 314, 328, 332, 333,
D23/335, 336, 337, 351, 355, 356, 370,
D23/371, 378-380, 381, 382, 383,
D23/411-412
CPC F04D 25/0673; F04D 25/08; F04D 25/084;
F04D 29/4226
See application file for complete search history.

(56) **References Cited**
U.S. PATENT DOCUMENTS

D361,832 S	*	8/1995	Cunning	D23/328
D387,151 S	*	12/1997	Fok	D23/332
D387,153 S	*	12/1997	Fok	D23/332
D415,270 S	*	10/1999	Fok	D23/332
D429,326 S	*	8/2000	Fok	D23/332
D531,296 S	*	10/2006	Chen	D23/370
D546,436 S		7/2007	Chen		
D546,933 S	*	7/2007	Chen	D23/382
D564,084 S		3/2008	Chen		
D565,721 S		4/2008	Chen		

D566,260 S		4/2008	Chen		
D597,195 S	*	7/2009	Zhuang	D23/411
D674,476 S	*	1/2013	Junkel	D23/370
D683,010 S	*	5/2013	Chen	D23/370
D683,011 S	*	5/2013	Chen	D23/370
D684,680 S	*	6/2013	Herbst	D23/411
D689,599 S		9/2013	Herbst		
D689,600 S		9/2013	Herbst		
D750,212 S	*	2/2016	Herbst	D23/382
D752,201 S	*	3/2016	Herbst	D23/411
D760,370 S	*	6/2016	Herbst	D23/411
D818,106 S		5/2018	Junkel et al.		
D818,107 S	*	5/2018	Junkel	D23/382
D818,108 S	*	5/2018	Junkel	D23/382
D818,109 S	*	5/2018	Junkel	D23/382
D825,048 S	*	8/2018	Breit	D23/382
D892,293 S	*	8/2020	Okuhara	D23/370
D898,894 S	*	10/2020	Breit	D23/382

(Continued)

Primary Examiner — Sharon S Oum
(74) *Attorney, Agent, or Firm* — Thompson Coburn LLP

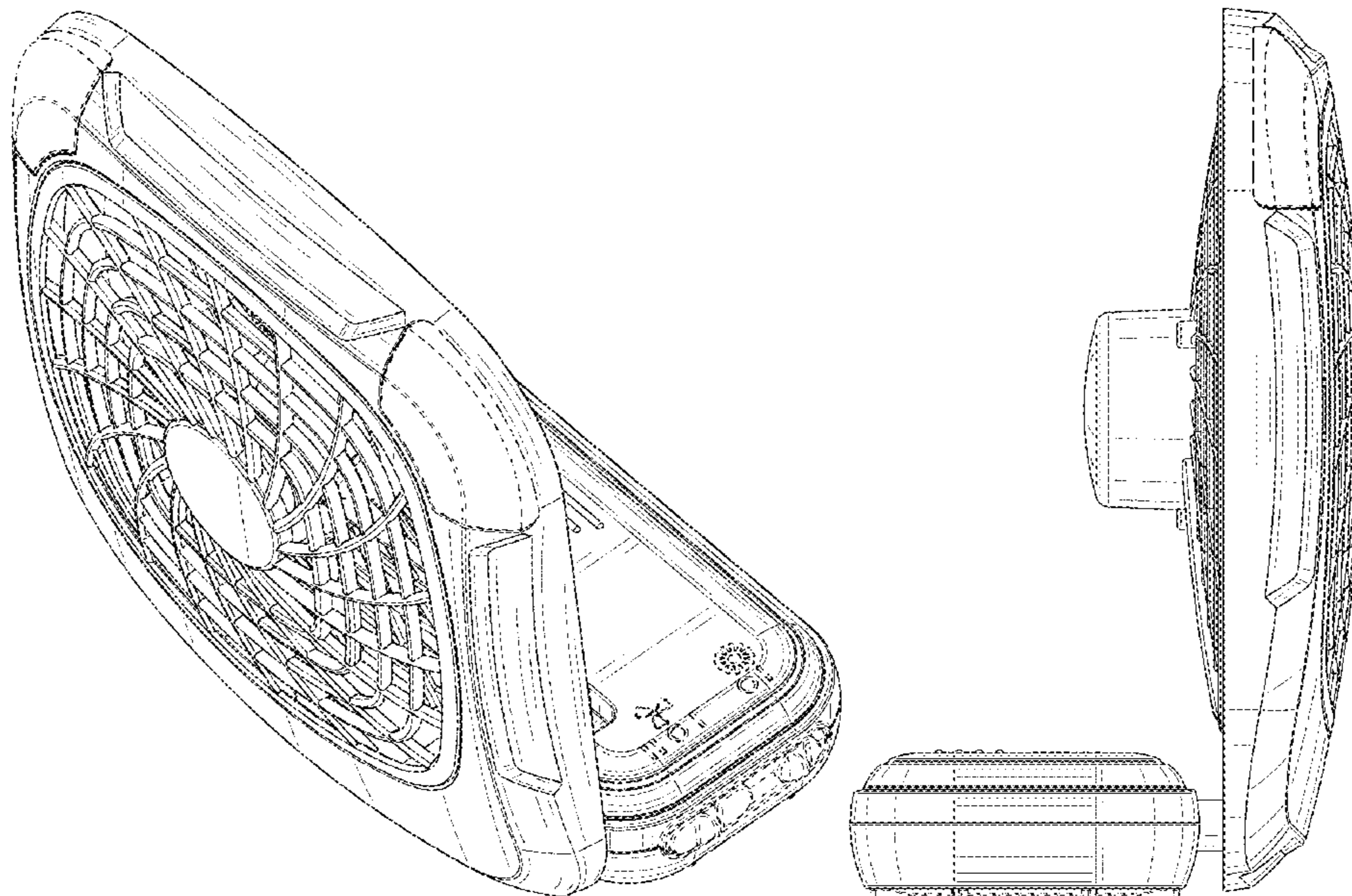
(57) **CLAIM**

The ornamental design for a fan, as shown and described.

DESCRIPTION

FIG. 1 is a first perspective view of the fan showing our new design;
 FIG. 2 is a front view thereof;
 FIG. 3 is a rear view thereof;
 FIG. 4 is a left side view thereof;
 FIG. 5 is a right side view thereof;
 FIG. 6 is a top view thereof;
 FIG. 7 is a bottom view thereof; and,
 FIG. 8 is a second perspective view thereof.
 The dash-dot-dash broken lines immediately adjacent the shaded areas represent the bounds of the claimed design while all other broken lines are directed to portions of the fan. The broken lines form no part of the claimed design.

1 Claim, 8 Drawing Sheets



(56)

References Cited

U.S. PATENT DOCUMENTS

2013/0108481 A1* 5/2013 Hoyer F04D 29/601
417/234
2020/0378390 A1* 12/2020 Ikeuchi F04D 29/002

* cited by examiner

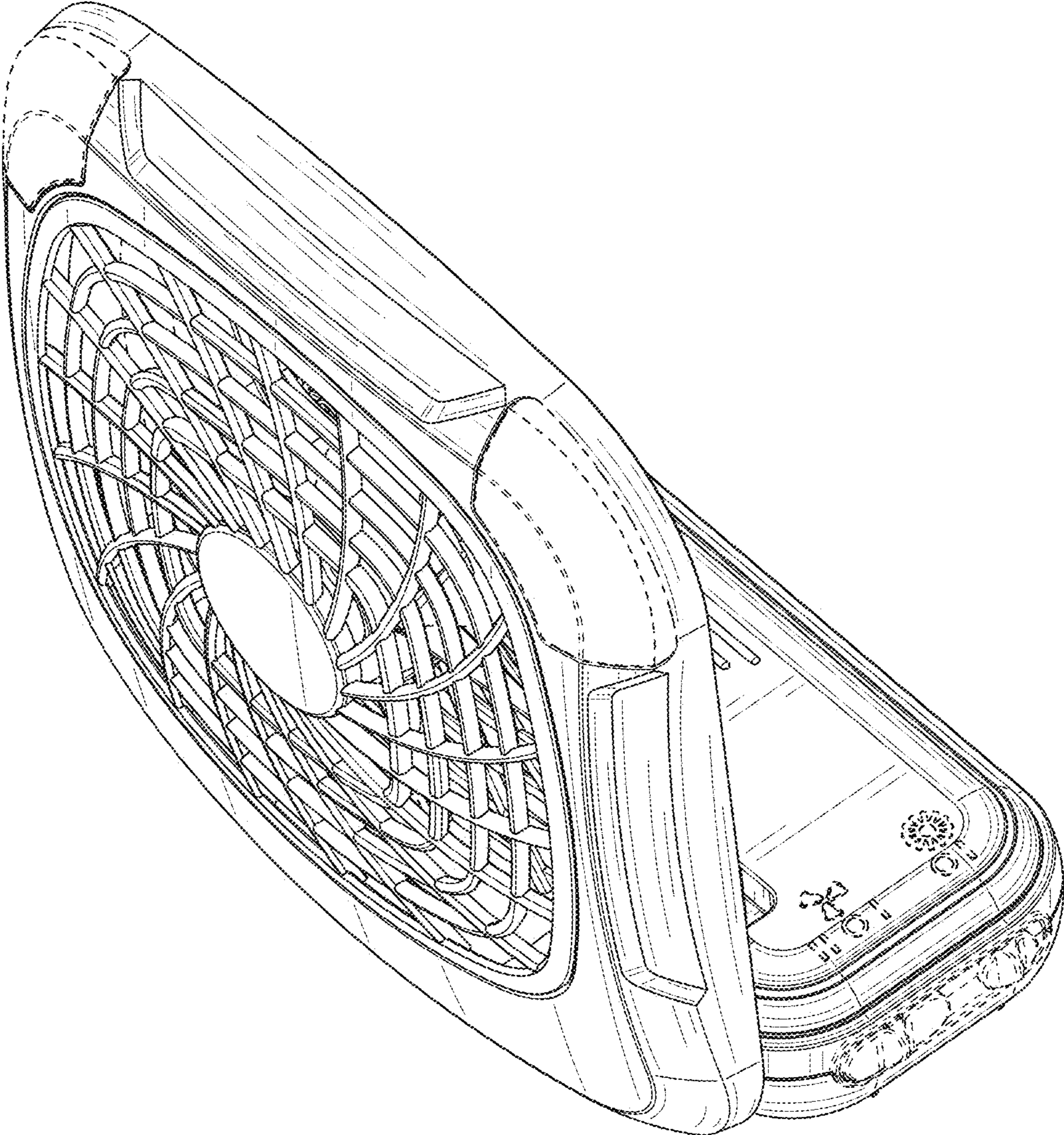


FIG. 1

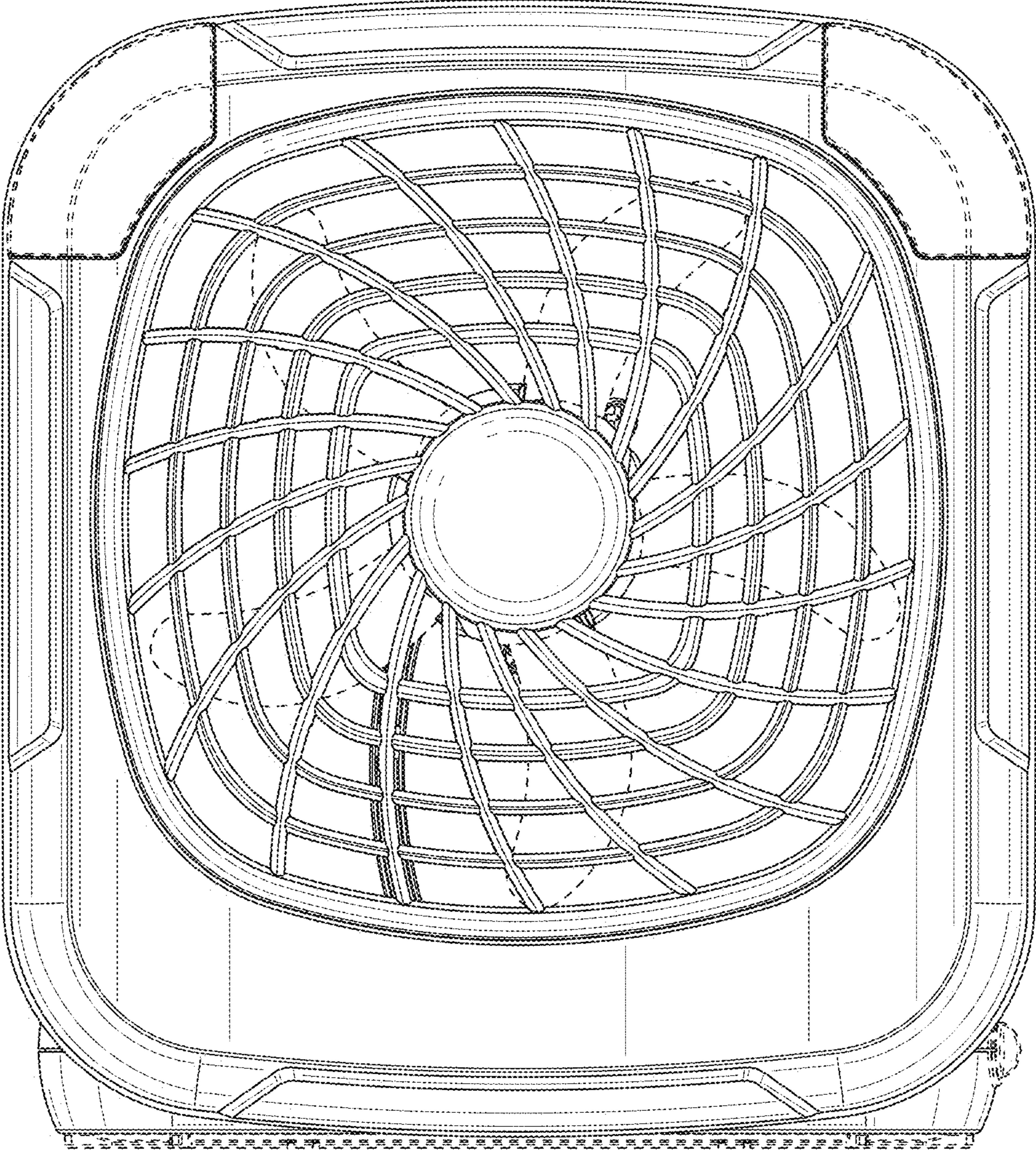


FIG. 2

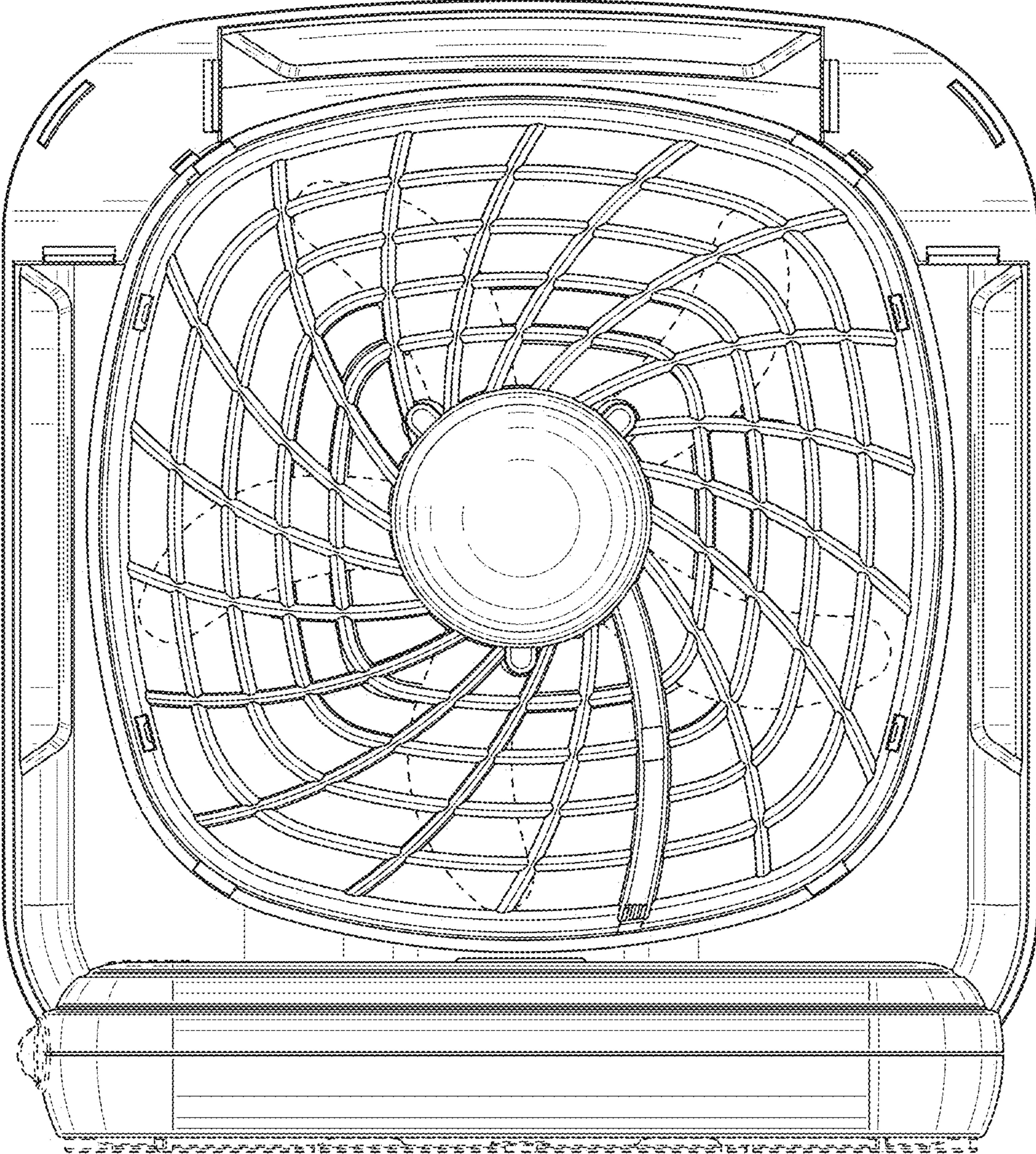


FIG. 3

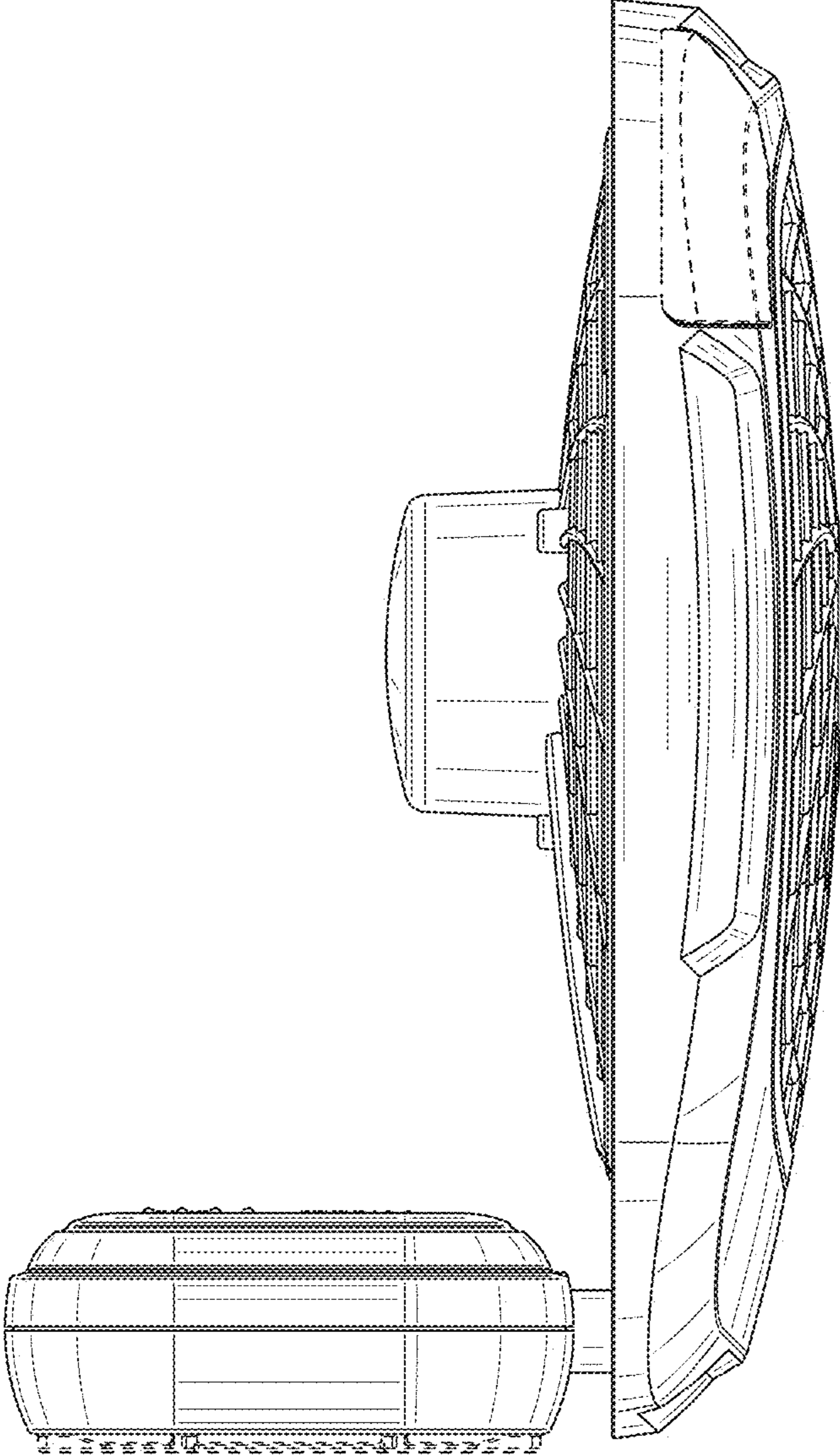


FIG. 4

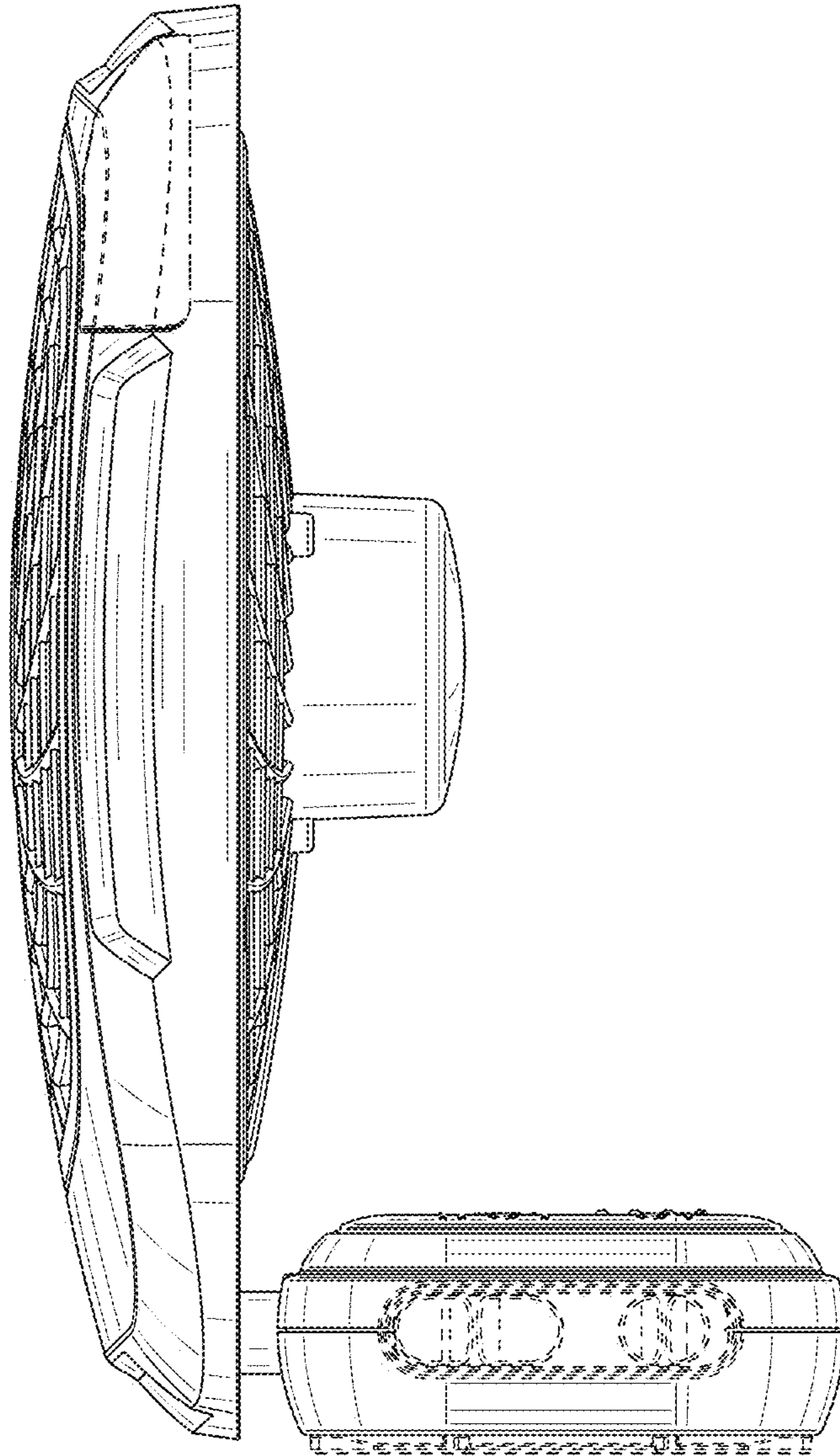


FIG. 5

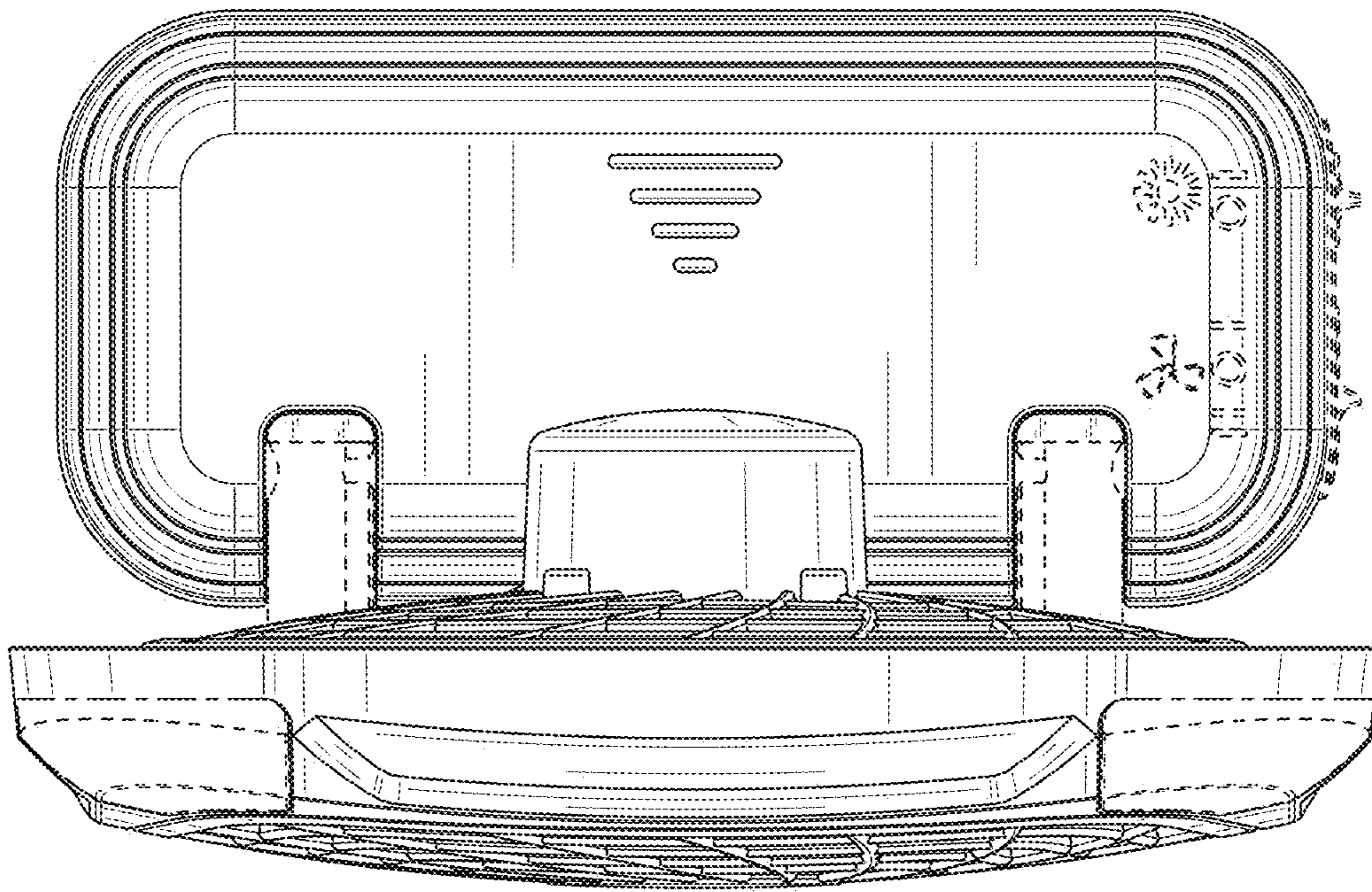


FIG. 6

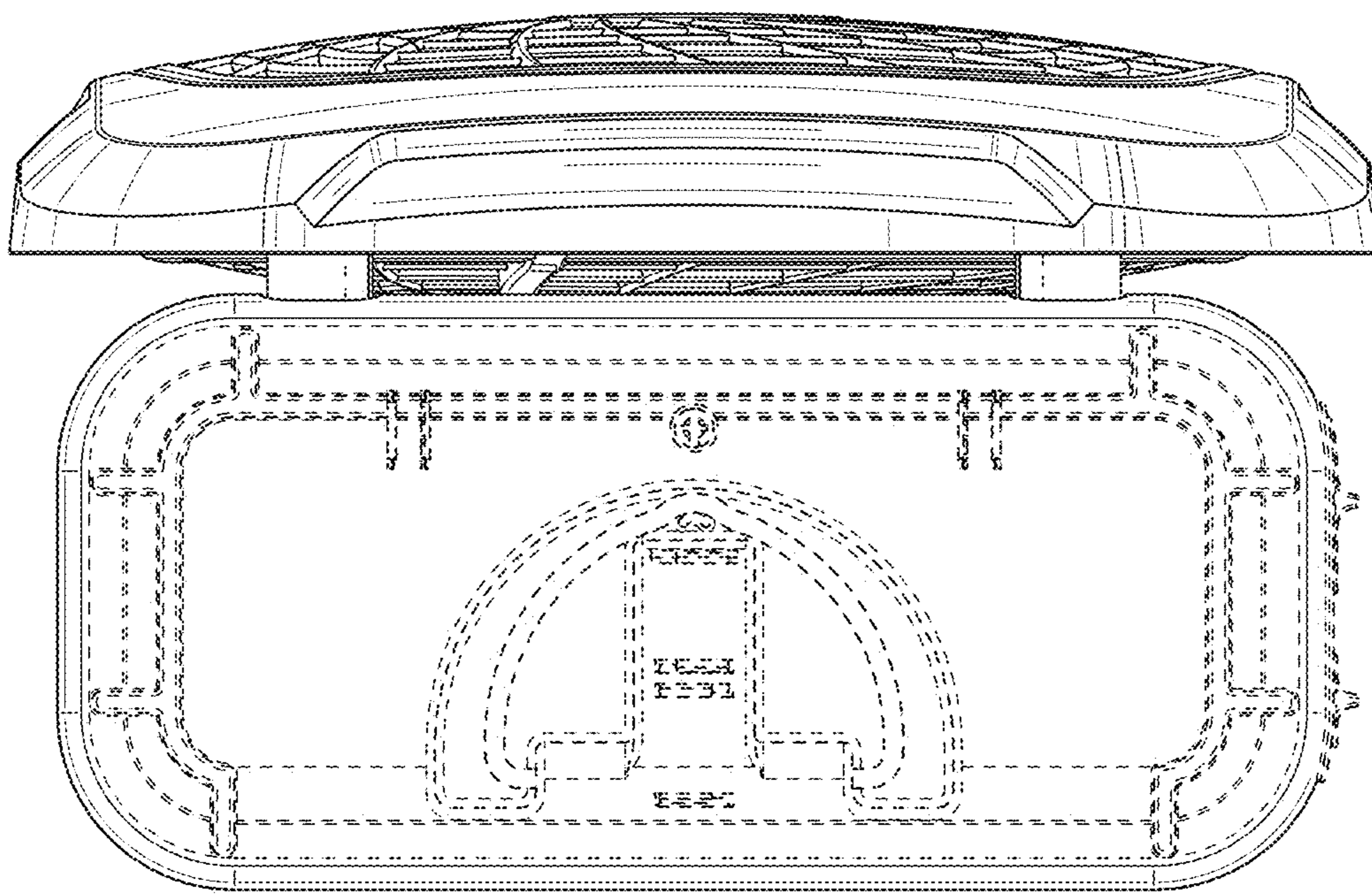


FIG. 7

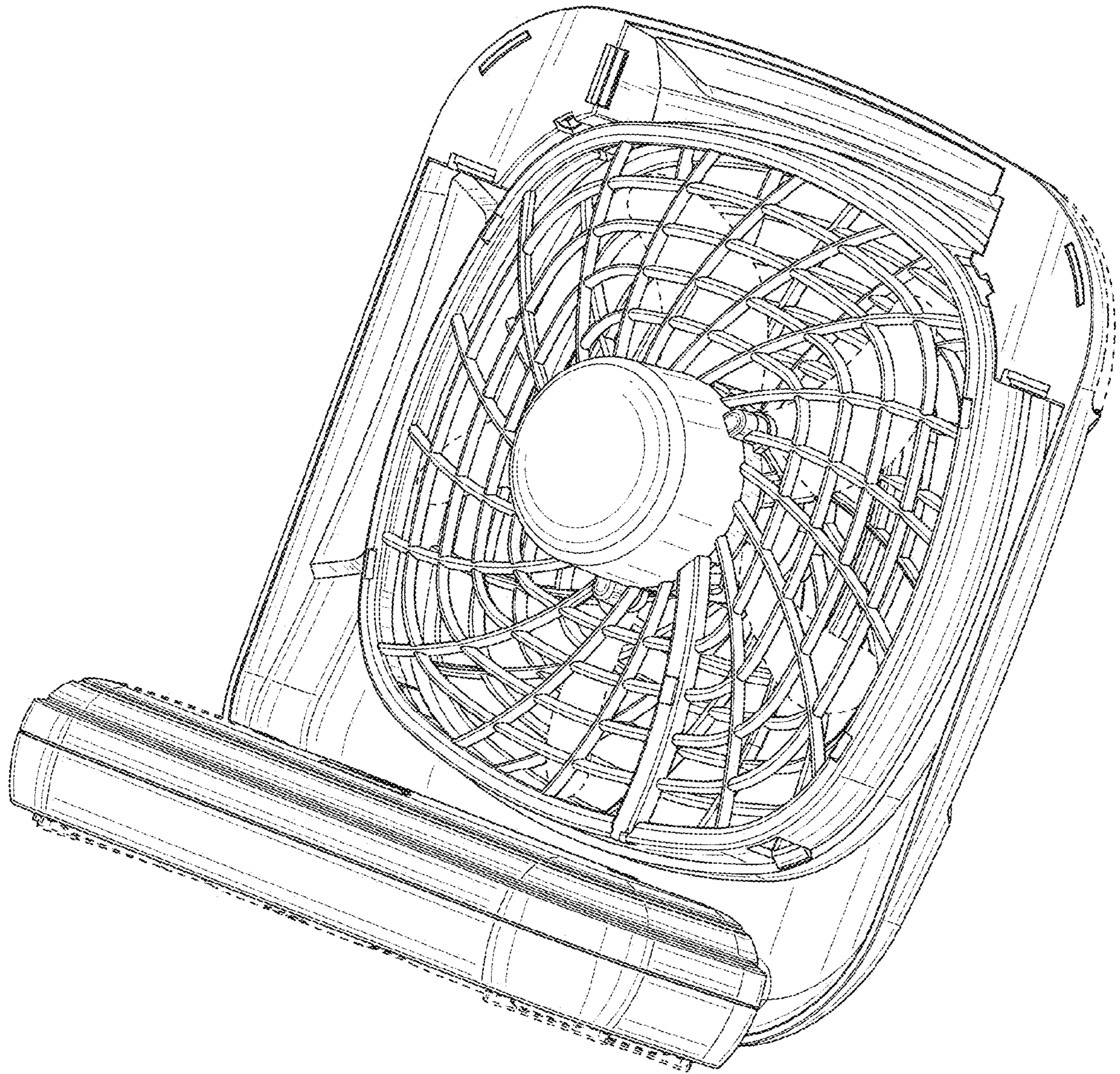


FIG. 8