

US00D943079S

(12) **United States Design Patent** (10) **Patent No.:** **US D943,079 S**
O’Connell et al. (45) **Date of Patent:** **** Feb. 8, 2022**

- (54) **CEILING FAN**
- (71) Applicant: **HUNTER FAN COMPANY**,
Memphis, TN (US)
- (72) Inventors: **Patrick R. O’Connell**, Germantown,
TN (US); **Christine Marie Holmes
Bradley**, Memphis, TN (US)
- (73) Assignee: **Hunter Fan Company**, Memphis, TN
(US)
- (**) Term: **15 Years**
- (21) Appl. No.: **29/738,605**
- (22) Filed: **Jun. 18, 2020**
- (51) **LOC (13) Cl.** **23-04**
- (52) **U.S. Cl.**
USPC **D23/377**
- (58) **Field of Classification Search**
USPC D23/370, 377, 379, 385, 411–414;
D26/59
CPC F04D 25/088; F04D 29/38; F04D 29/384;
F04D 29/386; F21V 33/0096
See application file for complete search history.

(56) **References Cited**

U.S. PATENT DOCUMENTS

- D386,257 S * 11/1997 Liu D23/377
- D547,436 S 7/2007 Shurtleff
- D609,324 S 2/2010 Lee
- D632,384 S 2/2011 Pan
- D744,084 S 11/2015 Wang
- D744,634 S 12/2015 Wang
- D771,794 S 11/2016 Wang
- D788,283 S 5/2017 Busta
- D788,286 S 5/2017 Busta
- D796,024 S 8/2017 Holmes
- D798,432 S 9/2017 Badarello et al.
- D799,661 S * 10/2017 Holmes D23/377
- D799,663 S 10/2017 Wang

- D799,682 S 10/2017 Wang
- D811,577 S 2/2018 Yang
- D813,370 S * 3/2018 Li D23/377
- D816,204 S * 4/2018 McRoberts D23/377
- D855,789 S * 8/2019 Haggar D23/377
- D858,735 S * 9/2019 Wang D23/377
- D862,755 S * 10/2019 Haggar D26/59
- D873,987 S * 1/2020 Biancuzzo D23/377

(Continued)

OTHER PUBLICATIONS

<https://www.hunterfan.com/ceiling-fans/casablanca-axial-with-led-light-52-inch-fam813>, Casablanca Axial with LED Light 52 inch Ceiling Fan, Item No. 59341, Accessed Jan. 8, 2019.

(Continued)

Primary Examiner — Sharon S Oum

(74) *Attorney, Agent, or Firm* — McGarry Bair PC

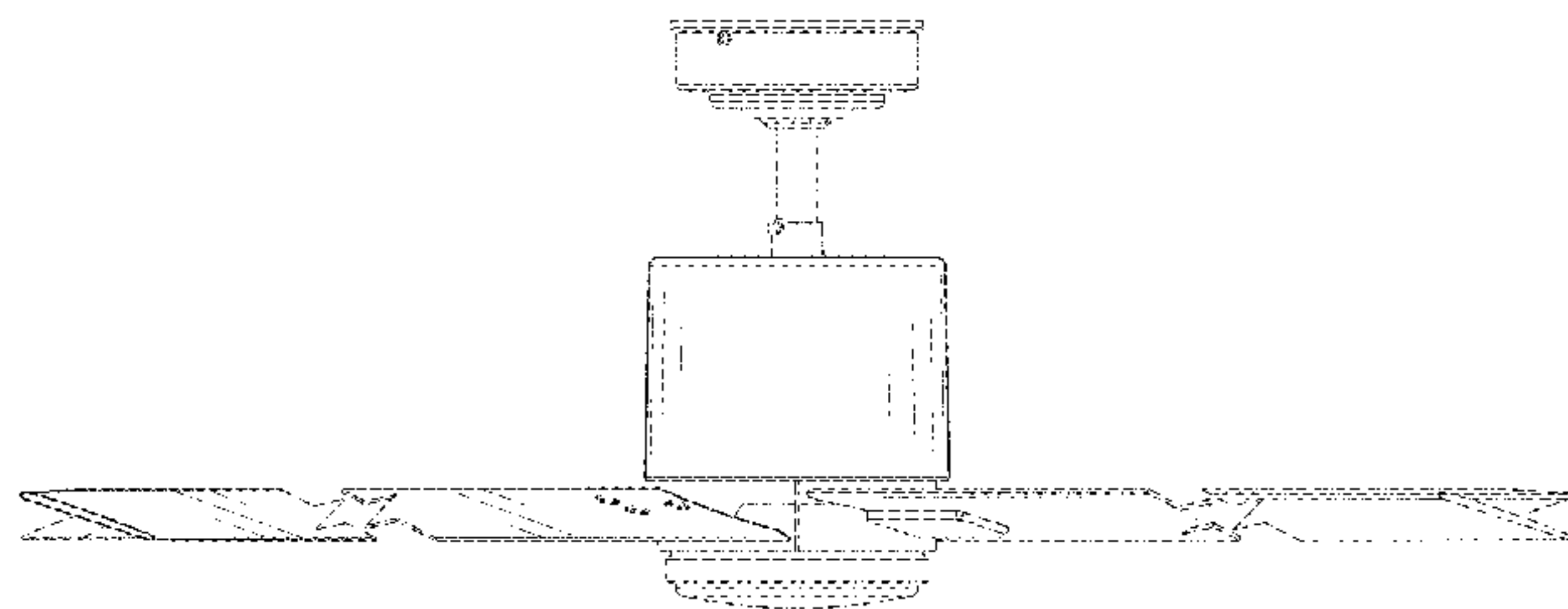
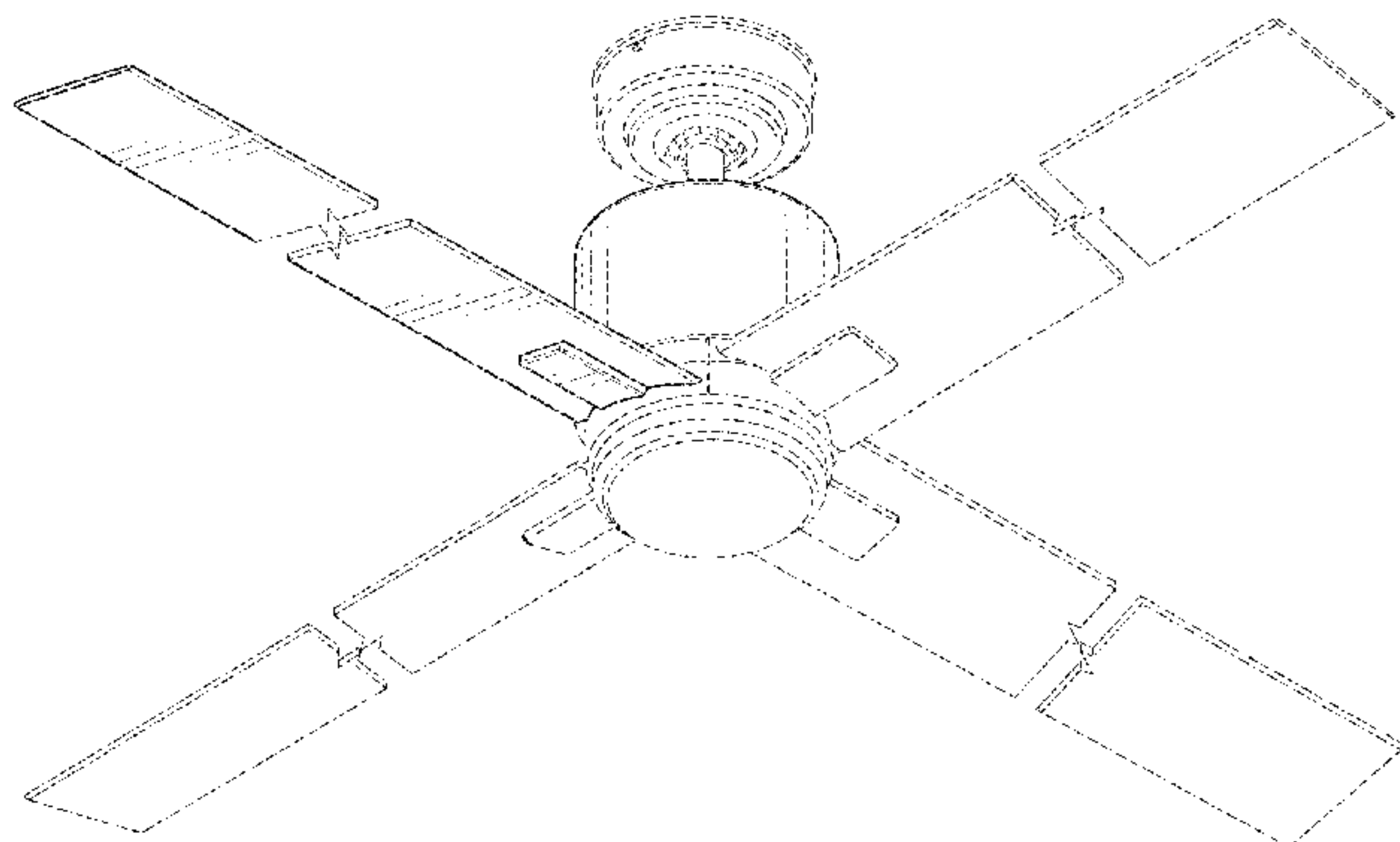
(57) **CLAIM**

The ornamental design for a ceiling fan, as shown and described.

DESCRIPTION

FIG. 1 is a top perspective view of a ceiling fan, showing our new design;
 FIG. 2 is a bottom perspective view thereof;
 FIG. 3 is a top view thereof;
 FIG. 4 is a bottom view thereof;
 FIG. 5 is a front view thereof;
 FIG. 6 is a rear view thereof;
 FIG. 7 is a right side view thereof; and,
 FIG. 8 is a left side view thereof.
 Portions of the ceiling fan shown in broken lines form no part of the claimed design.
 The ceiling fan blades are shown with a symbolic break in its length. The appearance of any portion of the ceiling fan blades between the break lines forms no part of the claimed design.

1 Claim, 8 Drawing Sheets



(56)

References Cited

U.S. PATENT DOCUMENTS

D874,635 S * 2/2020 Holmes D23/377
 D875,914 S * 2/2020 Hagggar D23/377
 D877,314 S * 3/2020 Holmes D23/411
 D890,910 S * 7/2020 Hagggar D23/377
 D894,364 S * 8/2020 Schulzman D23/377
 D914,191 S * 3/2021 Goralı D23/411
 D921,180 S * 6/2021 McRoberts D23/377
 D921,880 S * 6/2021 Hagggar D23/411
 2018/0128276 A1* 5/2018 Li F04D 25/06
 2018/0128277 A1* 5/2018 Chia F04D 29/362

OTHER PUBLICATIONS

<http://www.kichler.com/products/product/arkwright-ceiling-fan-ap-300146ap.aspx>, Kichler Arkwright Collection, Arkwright Fan AP, Model No. 300146AP, Jan. 8, 2019.

<https://modernfan.com/fan/lapa/#images>, Modern Fan Lapa 50 inch Ceiling Fan with Light Kit, Images only, Model No. #LAP, accessed Jan. 8, 2019.

<https://www.hunterfan.com/ceiling-fans/casablanca-bullet-with-led-light-54-inch-fam868>, Casablanca Bullet with LED Light 54 inch Ceiling Fan, Item No. 59288, accessed Jan. 8, 2019.

<https://www.hunterfan.com/ceiling-fans/exeter-with-led-light-54-inch-fam800>, Hunter Fan Exeter with LED Light 54 inch Ceiling Fan, Item No. 59161, accessed Jan. 8, 2019.

<https://www.hunterfan.com/ceiling-fans/hepburn-with-led-light-52-inch-fam791>, Hunter Fan Hepburn with LED Light 52" Ceiling Fan, Item No. 59321, accessed Jan. 8, 2019.

<https://www.minkagroup.net/f543l-ka.html>, MinkaAire Swept LED 56" Ceiling Fan, Model No. F543L-KA, accessed Jan. 8, 2019.

<http://www.montecarlofans.com/57252/56-Vision-Max--Matte-White-3VNMR56RZWD.html>, Monte Carlo Vision Max Collection, 56" Vision Max in Matte White, Product3VNMR56RZWD-V1, accessed Jan. 8, 2019.

<https://www.fanimation.com/products/index.php/fans/torch.html>, Fanimation Torch Indoor/Outdoor Ceiling Fan with Blades, Model No. FP8458, accessed Jan. 8, 2019.

<https://www.craftmade.com/triad-tri54>, Craftmade Triad 54" Ceiling Fan with Blades and Light Kit, Model No. TRI54, accessed Jan. 8, 2019.

<https://www.craftmade.com/pub/media/guides/TRI54.pdf>, Ellington Ceiling Fans by Craftmade Installation Guide, accessed Jan. 8, 2019.

<http://www.kichler.com/products/product/52-inch-lacey-ii-led-fan-oz-300024oz.aspx>, Kichler Lacey II LED 52" Ceiling Fan Olde Bronze, Model No. 300024OZ, accessed Jan. 8, 2019.

* cited by examiner

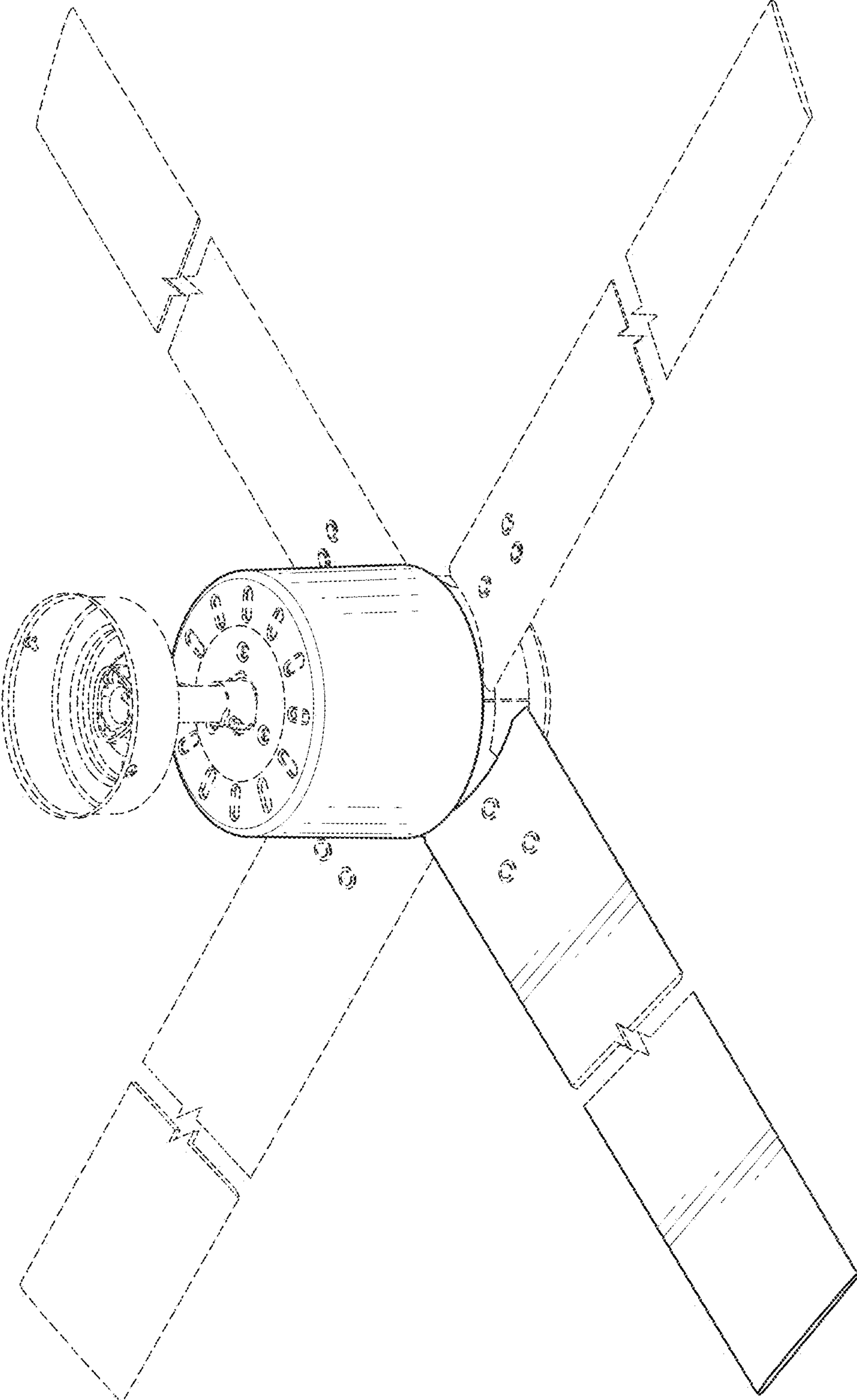


FIG. 1

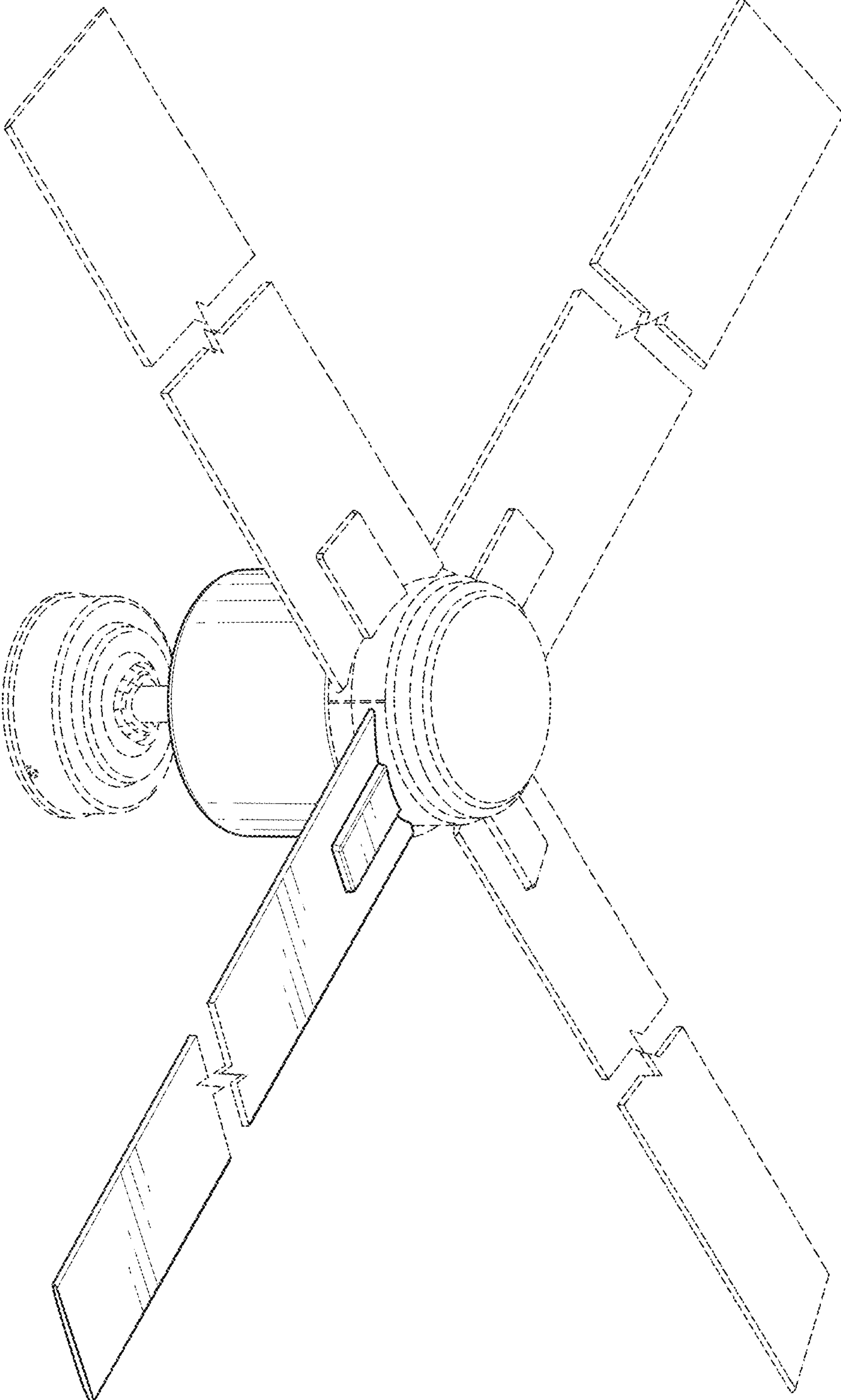


FIG. 2

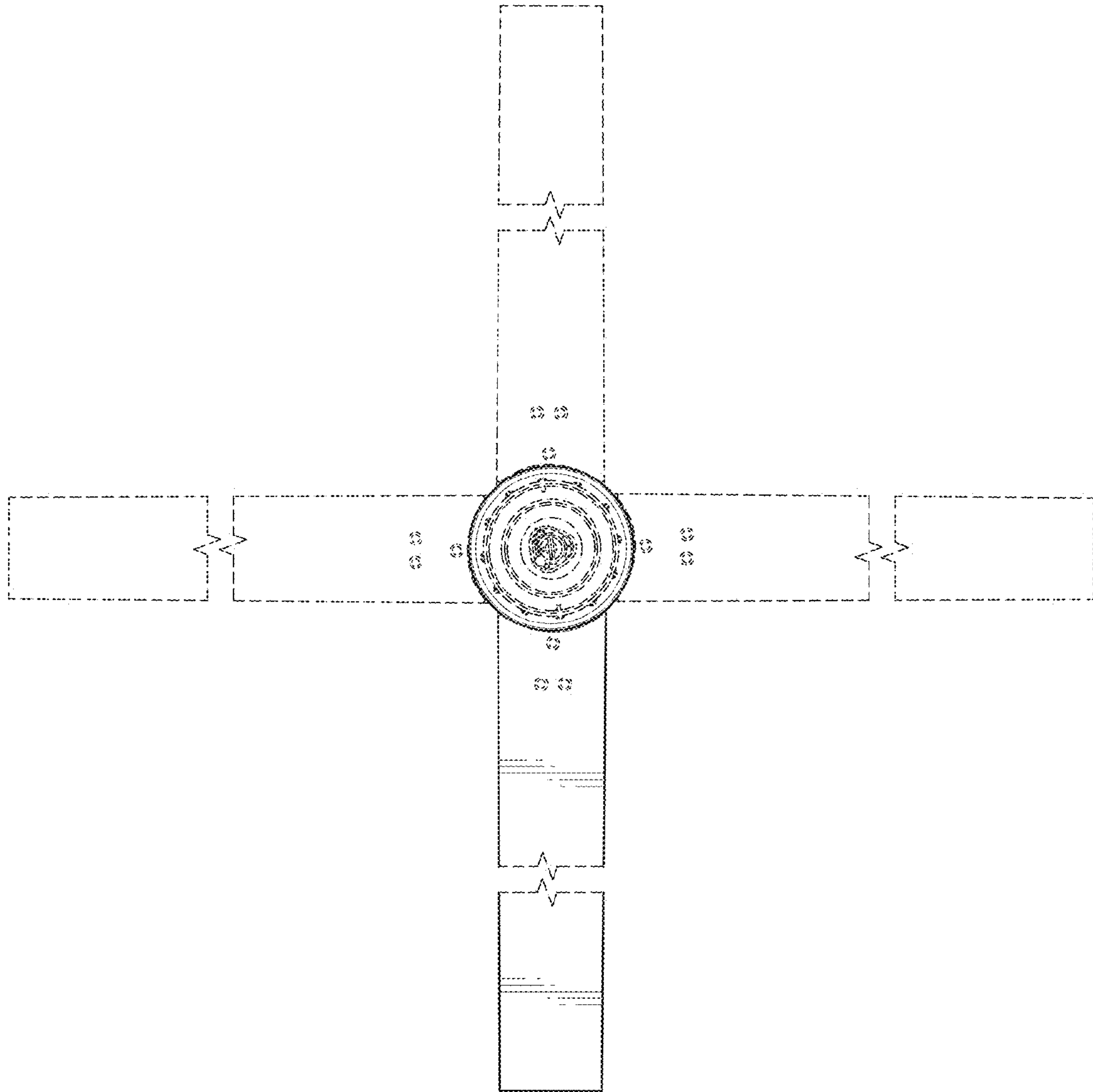


FIG. 3

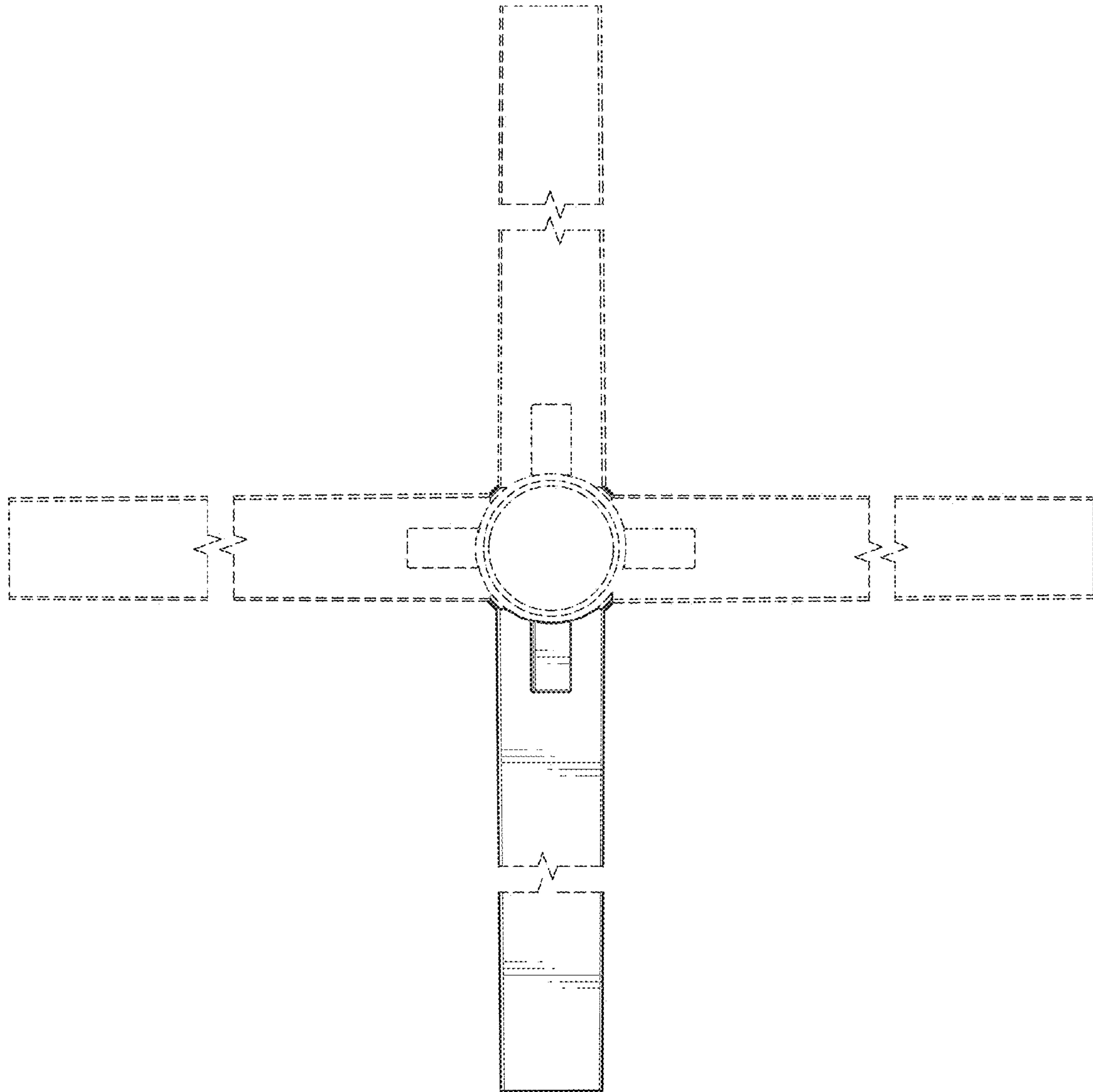


FIG. 4

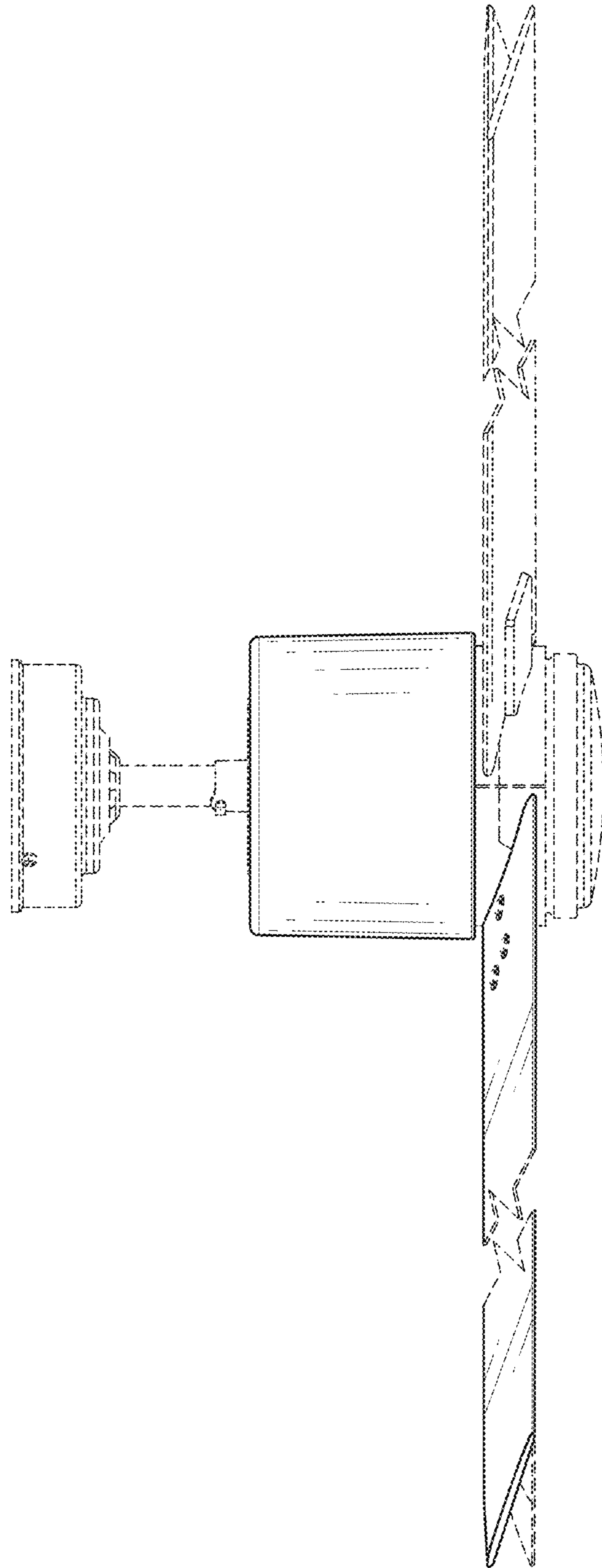


FIG. 5

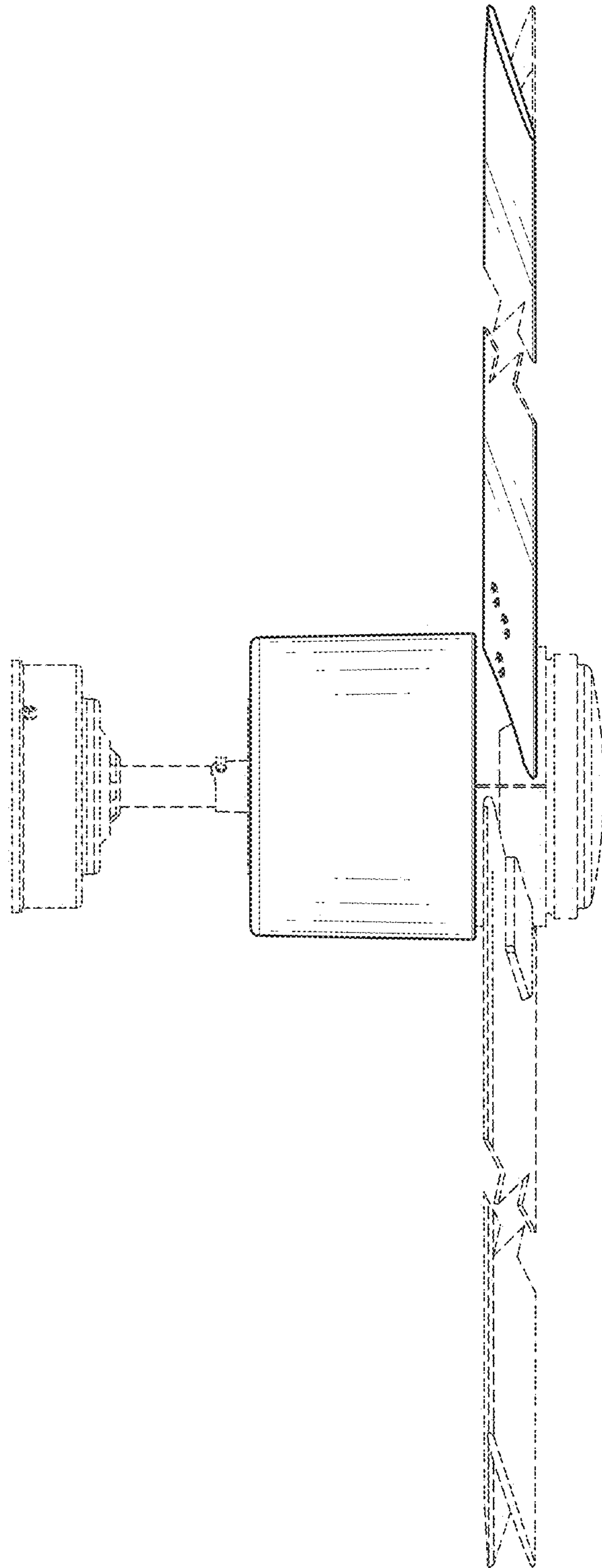


FIG. 6

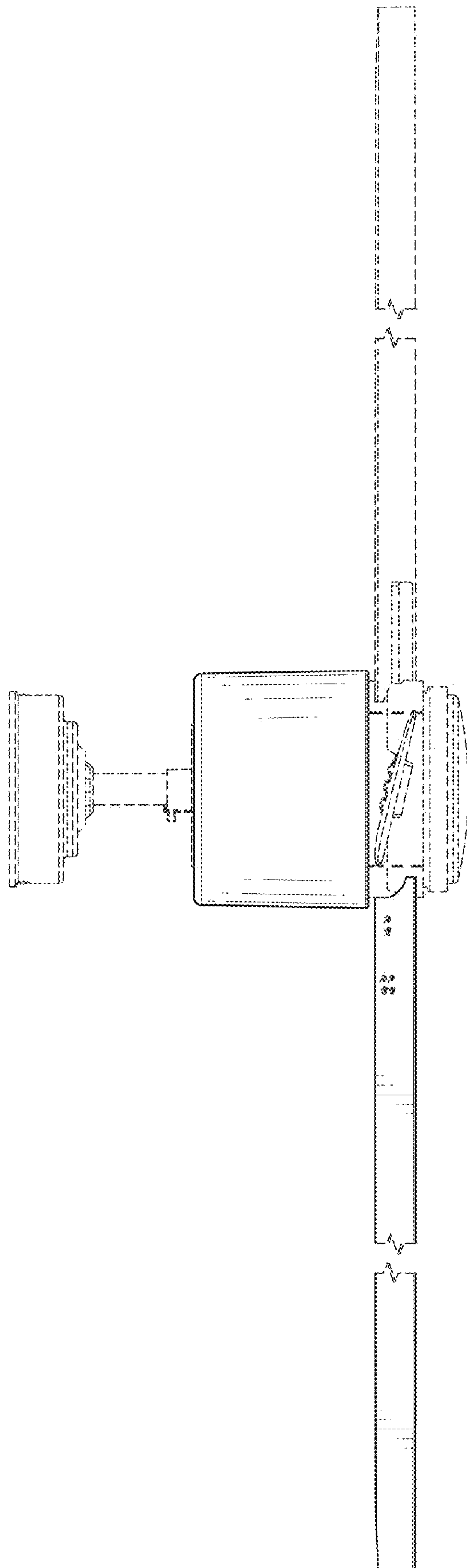


FIG. 7

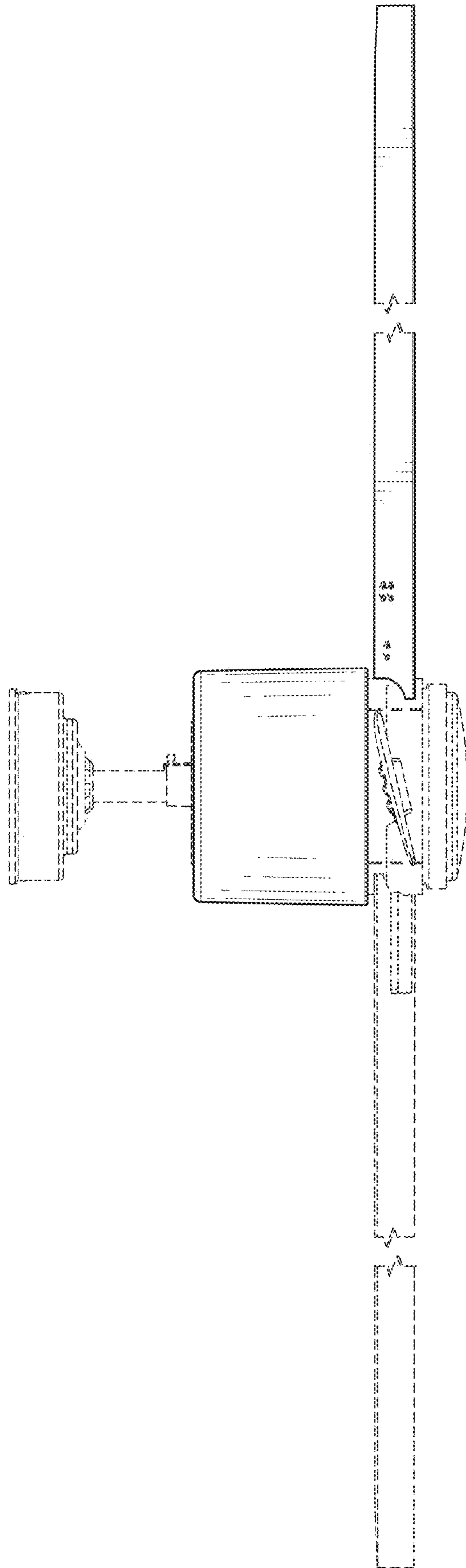


FIG. 8