



US00D943078S

(12) **United States Design Patent** (10) **Patent No.:** **US D943,078 S**
Holmes Bradley (45) **Date of Patent:** **** Feb. 8, 2022**

(54) **CEILING FAN**
(71) Applicant: **Hunter Fan Company**, Memphis, TN (US)
(72) Inventor: **Christine Marie Holmes Bradley**, Memphis, TN (US)
(73) Assignee: **Hunter Fan Company**, Memphis, TN (US)
(**) Term: **15 Years**
(21) Appl. No.: **29/737,717**
(22) Filed: **Jun. 11, 2020**
(51) **LOC (13) Cl.** **23-04**
(52) **U.S. Cl.**
USPC **D23/377**
(58) **Field of Classification Search**
USPC D23/370, 377, 379, 385, 411-414;
D26/59
CPC F04D 25/088; F04D 29/38; F04D 29/384;
F04D 29/386; F21V 33/0096
See application file for complete search history.

D855,172 S * 7/2019 Holmes D23/411
D872,252 S * 1/2020 McRoberts D23/377
D874,633 S * 2/2020 McRoberts D23/377
D874,635 S * 2/2020 Holmes D23/377
D875,914 S * 2/2020 Haggar D23/377
D877,309 S * 3/2020 Pickett D23/377
D877,315 S * 3/2020 Pickett D23/411
(Continued)

OTHER PUBLICATIONS

<https://www.craftmade.com/montreal-mn44-led>, Craftmade Montreal 44" Ceiling Fan with Blades and Light Kit, accessed Jan. 9, 2019.

(Continued)

Primary Examiner — Sharon S Oum
(74) *Attorney, Agent, or Firm* — McGarry Bair PC

(57) **CLAIM**

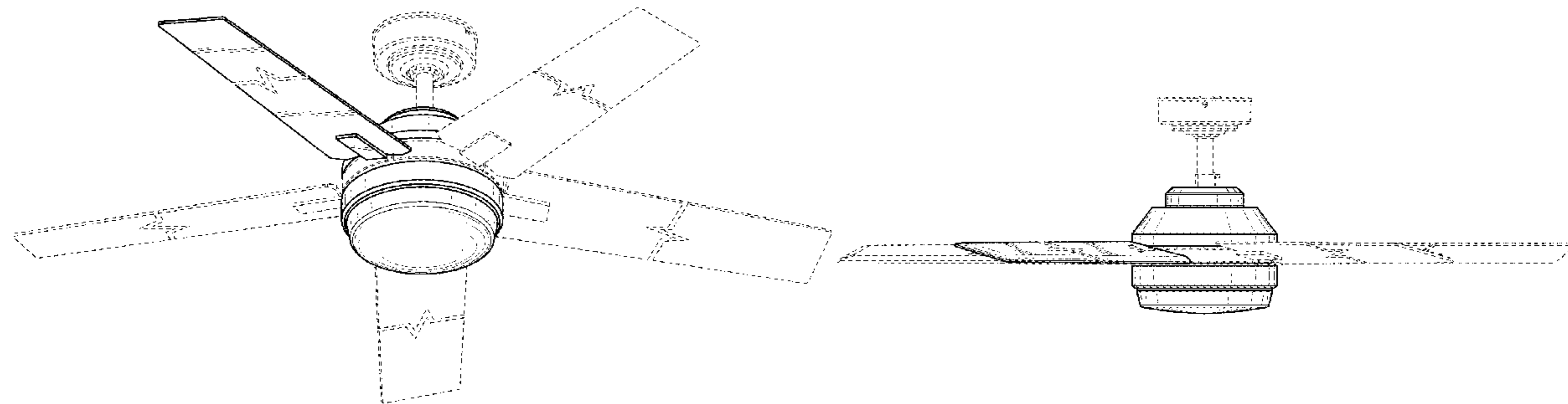
The ornamental design for a ceiling fan, as shown and described.

DESCRIPTION

FIG. 1 is a top perspective view of a ceiling fan, showing my new design;
FIG. 2 is a bottom perspective view thereof;
FIG. 3 is a top view thereof;
FIG. 4 is a bottom view thereof;
FIG. 5 is a front view thereof;
FIG. 6 is a rear view thereof;
FIG. 7 is a right side view thereof; and,
FIG. 8 is a left side view thereof.
Portions of the ceiling fan shown in broken lines form no part of the claimed design.
The ceiling fan blades are shown with a symbolic break in its length. The appearance of any portion of the ceiling fan blades between the break lines forms no part of the claimed design.

1 Claim, 8 Drawing Sheets

(56) **References Cited**
U.S. PATENT DOCUMENTS
D314,618 S 2/1991 Yen
D584,810 S 1/2009 Pickett
D609,324 S 2/2010 Lee
D609,799 S 2/2010 Lee
D706,406 S 6/2014 Wang
D707,336 S 6/2014 Pan
D795,412 S 8/2017 Schulzman
D800,289 S 10/2017 Guthrie
D804,629 S 12/2017 McRoberts et al.
D804,630 S * 12/2017 Holmes D23/377
D804,639 S 12/2017 Guthrie
D810,915 S * 2/2018 Guthrie D23/377
D810,917 S * 2/2018 Holmes D23/377
D824,558 S * 7/2018 Guthrie D26/59
D833,594 S * 11/2018 Wang D23/377



(56)

References Cited

U.S. PATENT DOCUMENTS

D890,320 S * 7/2020 Holmes D23/377
 D890,321 S * 7/2020 Holmes D23/377
 10,995,769 B2 * 5/2021 Norwood F04D 29/384
 D921,179 S * 6/2021 Hagggar D23/377

OTHER PUBLICATIONS

<https://modernfan.com/fan/halo/>, Modern Fan Halo 52" Ceiling Fan, accessed Jan. 8, 2019.

<https://ceilingfans.emerson.com/en-us/shop/fan/modern/fan-cf930>, Emerson Atomical Ceiling Fan with Light, Model No. CF930, accessed Jan. 9, 2019.

<https://ceilingfans.emerson.com/en-us/shop/fan/fans-s-emerson-fans/modern/fan-cf915w60>, Emerson Rah Eco 60: Ceiling Fan with LED Light, Model No. CF915W60, accessed Jan. 9, 2019.

<https://www.fanimation.com/products/index.php/fans/blitz.html>, Fanimation Blitz Indoor/Outdoor Ceiling Fan with Light Kit and Remote, Model No. LP8377, accessed Jan. 9, 2019.

<http://www.fanimation.com/products/index.php/fans/pylon.html>, Fanimation Pylon 48: Brushed Nickel Integrated LED Indoor Downrod Mount Ceiling Fan with Light Kit and Remote, LP8277, accessed Jan. 9, 2019.

https://www.fanimation.com/files/2114/9062/3987/LP8277LBN_OM.pdf, Fanimation Pylon Ceiling Fan, Model No. LP8277LBN Owner's Manual, accessed Jan. 9, 2019.

<http://ceilingfans.emerson.com/en/shop/fan/fan-s-all/fans-s-browse-all/highrise-fan-p-cf430>, Emerson High 50" Ceiling Fan with Light, Model No. CF430, accessed Jan. 9, 2019.

<https://ceilingfans.emerson.com/documents/cf430-highrise-en-us-200808.pdf>, Emerson Highrise 50" Ceiling Fan Owner's Manual, accessed Jan. 9, 2019.

<http://www.kichler.com/products/product/52-inch-spyr-fan-led-avi-300275avi.aspx>, Kichler Spyn 52 inch Ceiling Fan with LED , Model No. 300275AVI, accessed Jan. 9, 2019.

<http://www.kichler.com/products/product/60-inch-rana-fan-sbk-310155sbk.aspx>, Kichler Rana 60 inch Ceiling Fan with Light, Model No. 310155SBK, accessed Jan. 9, 2019.

<https://www.craftmade.com/sonnet-son52>, Craftmade Sonnet 52" Ceiling Fan with LED Light Kit, Model No. SON52, accessed Jan. 9, 2019.

<http://www.kichler.com/products/product/52-arkwet-patio-ceiling-fan-wcp-339529wcp.aspx>, Craftmade Arkwet Patio Ceiling Fan in Weathered Copper Powder Coat, Model No. 339529WCP, accessed Jan. 9, 2019.

<http://www.kichler.com/products/product/52-inch-lucian-led-ceiling-fan-pn-330000pn.aspx>, Kichler Lucian 52 inch LED Ceiling Fan, Model No. 330000PN, accessed Jan. 9, 2019.

* cited by examiner

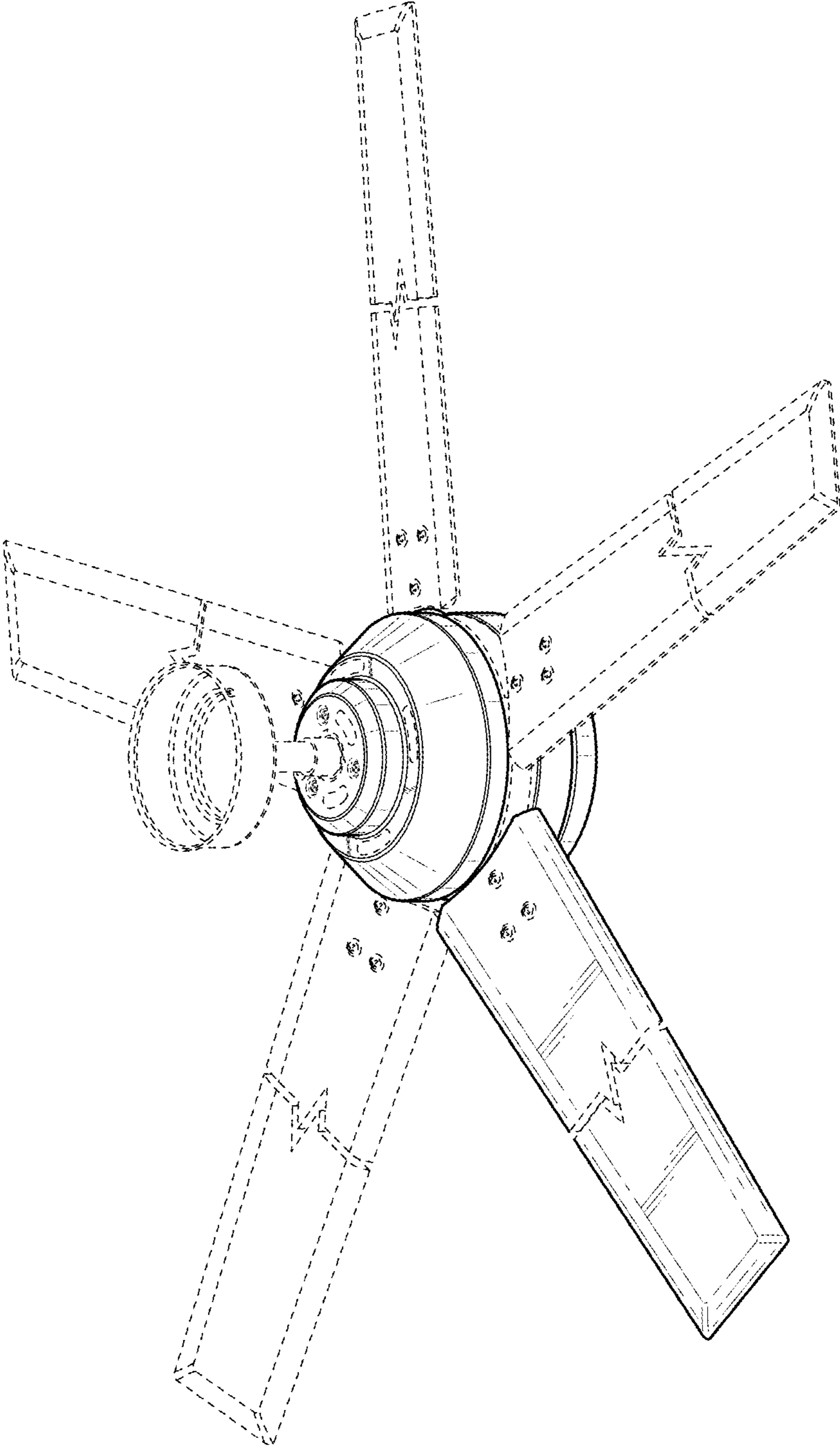


FIG. 1

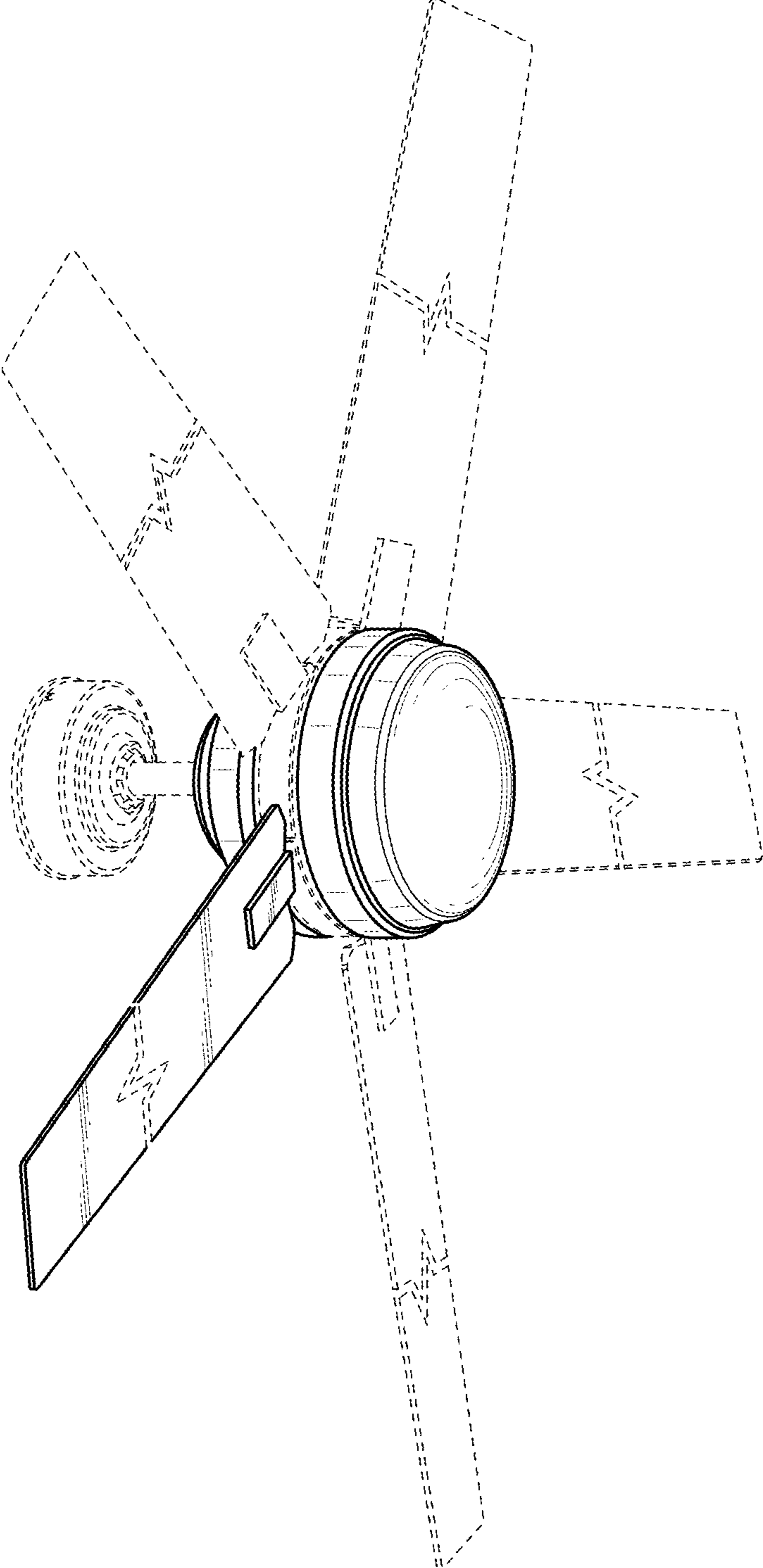


FIG. 2

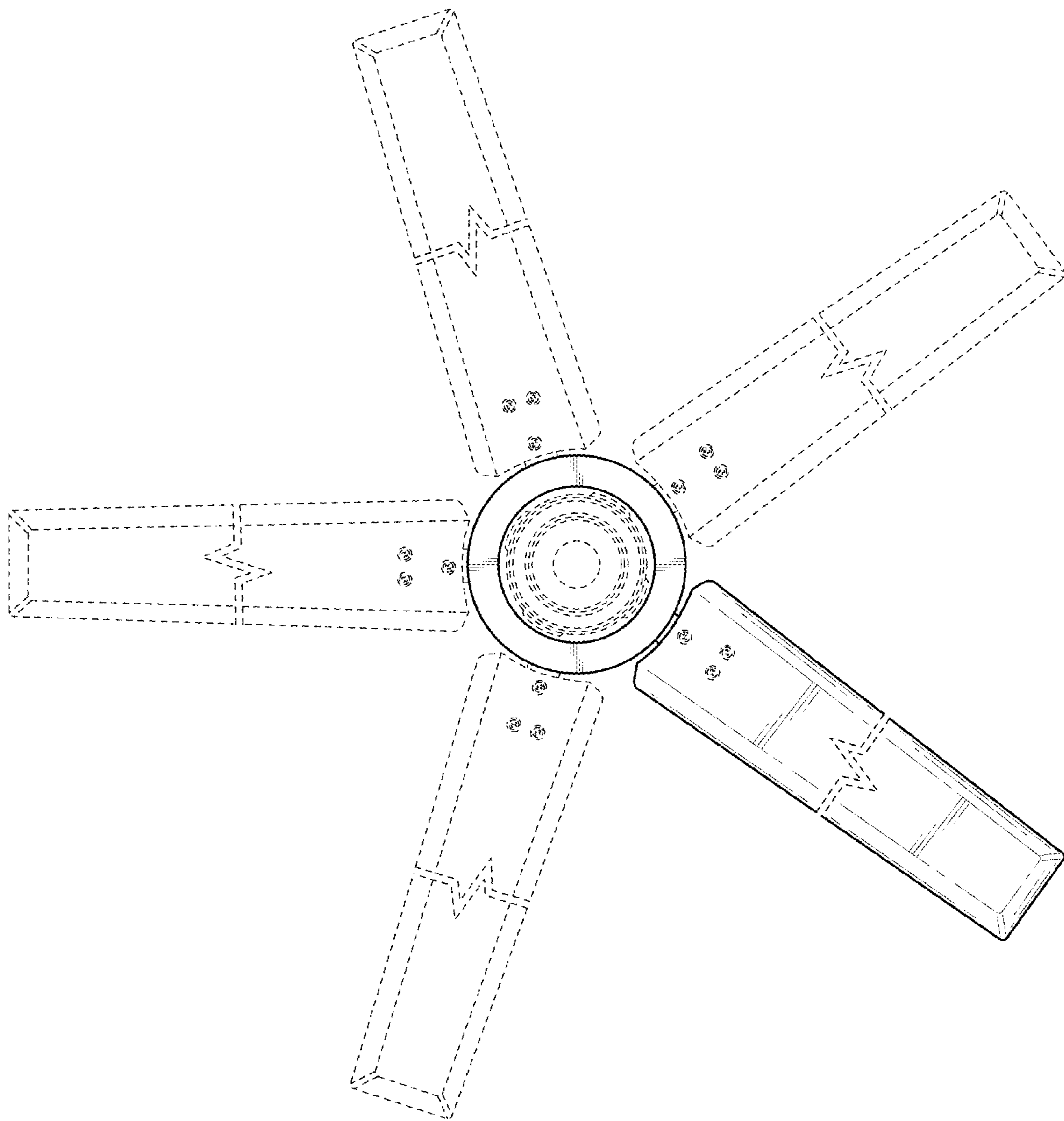


FIG. 3

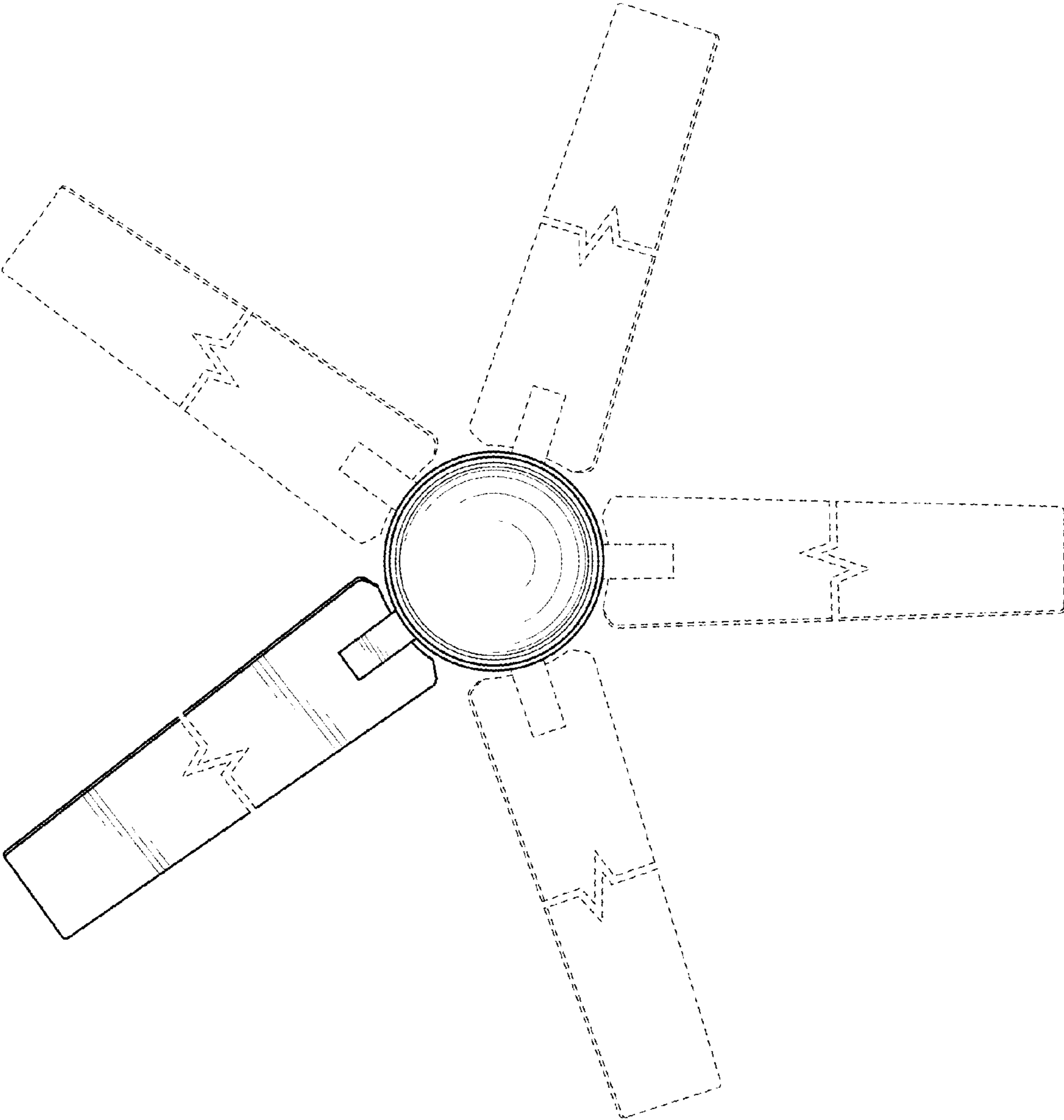


FIG. 4

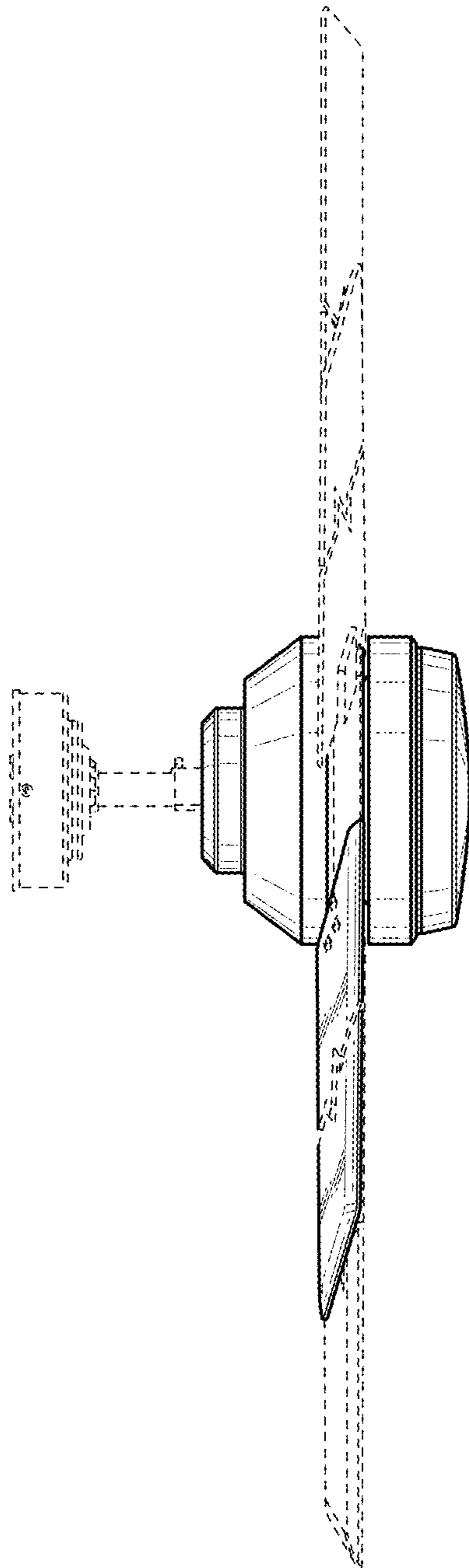


FIG. 5

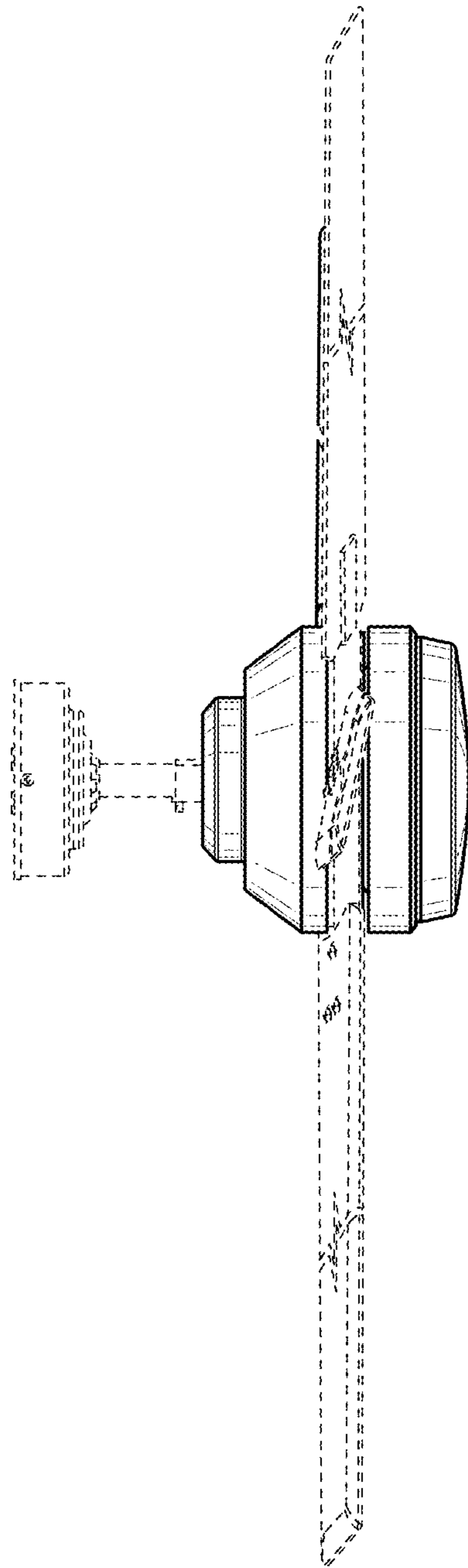


FIG. 6

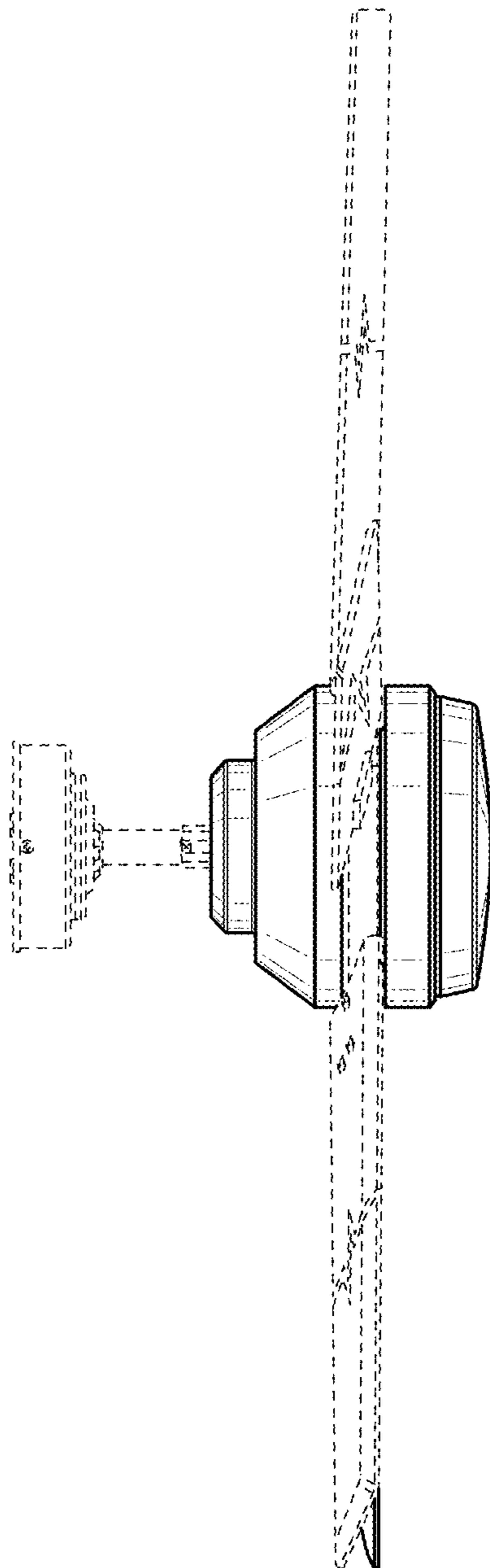


FIG. 7

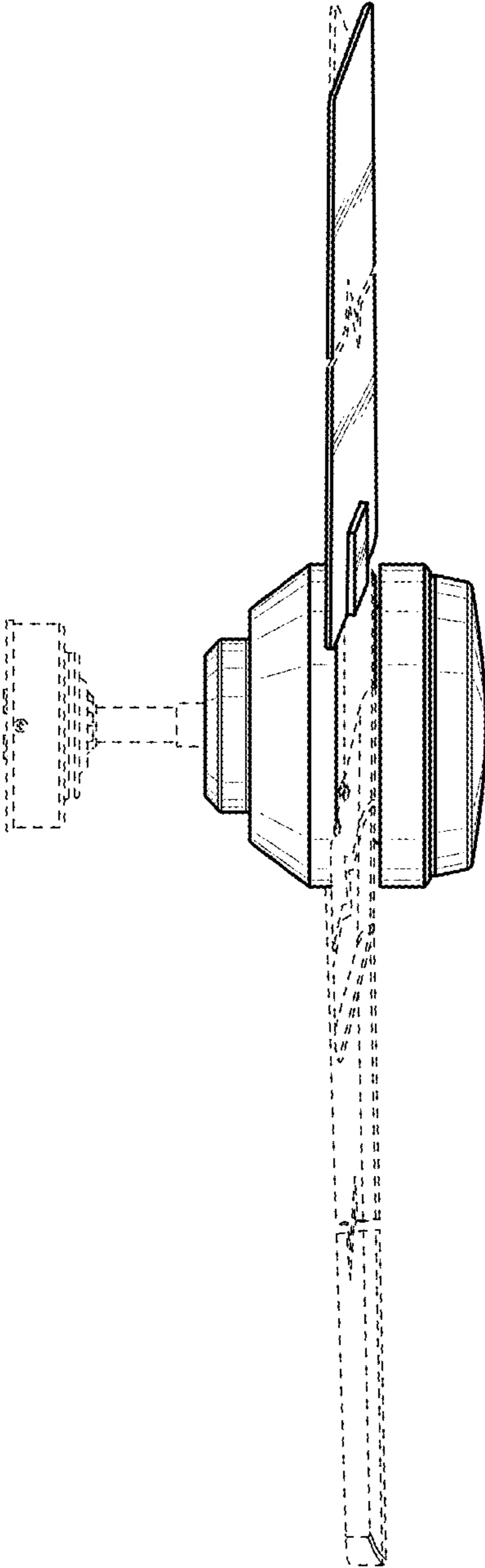


FIG. 8