



US00D943074S

(12) **United States Design Patent** (10) **Patent No.:** **US D943,074 S**  
**Huang** (45) **Date of Patent:** **\*\* Feb. 8, 2022**

(54) **HUMIDIFIER**

FOREIGN PATENT DOCUMENTS

(71) Applicant: **Haiyang Huang**, Shenzhen (CN)

KR 300655127.0000 \* 8/2012

(72) Inventor: **Haiyang Huang**, Shenzhen (CN)

OTHER PUBLICATIONS

(73) Assignee: **Shenzhen Yifei Technology Co., Ltd.**,  
Shenzhen (CN)

InnoGear Diffusers for Essential Oils, first available Oct. 14, 2019[online], [site visited Nov. 15, 2021]. Available from internet, URL:<https://www.amazon.ca/dp/B07XHLF3KS?th=1>(Year: 2019).\*

(\*\*) Term: **15 Years**

\* cited by examiner

(21) Appl. No.: **29/743,957**

*Primary Examiner* — Barbara Fox

(22) Filed: **Jul. 24, 2020**

*Assistant Examiner* — Jamaal Rasheed

(51) **LOC (13) Cl.** ..... **23-04**

(52) **U.S. Cl.**  
USPC ..... **D23/356**

(57) **CLAIM**

(58) **Field of Classification Search**  
USPC ..... D23/356, 359, 364–365, 378, 499  
CPC ..... F24F 3/16; F24F 3/1405; F24F 3/1603;  
F24F 13/20; F24F 13/222

The ornamental design for a humidifier, as shown and described.

See application file for complete search history.

**DESCRIPTION**

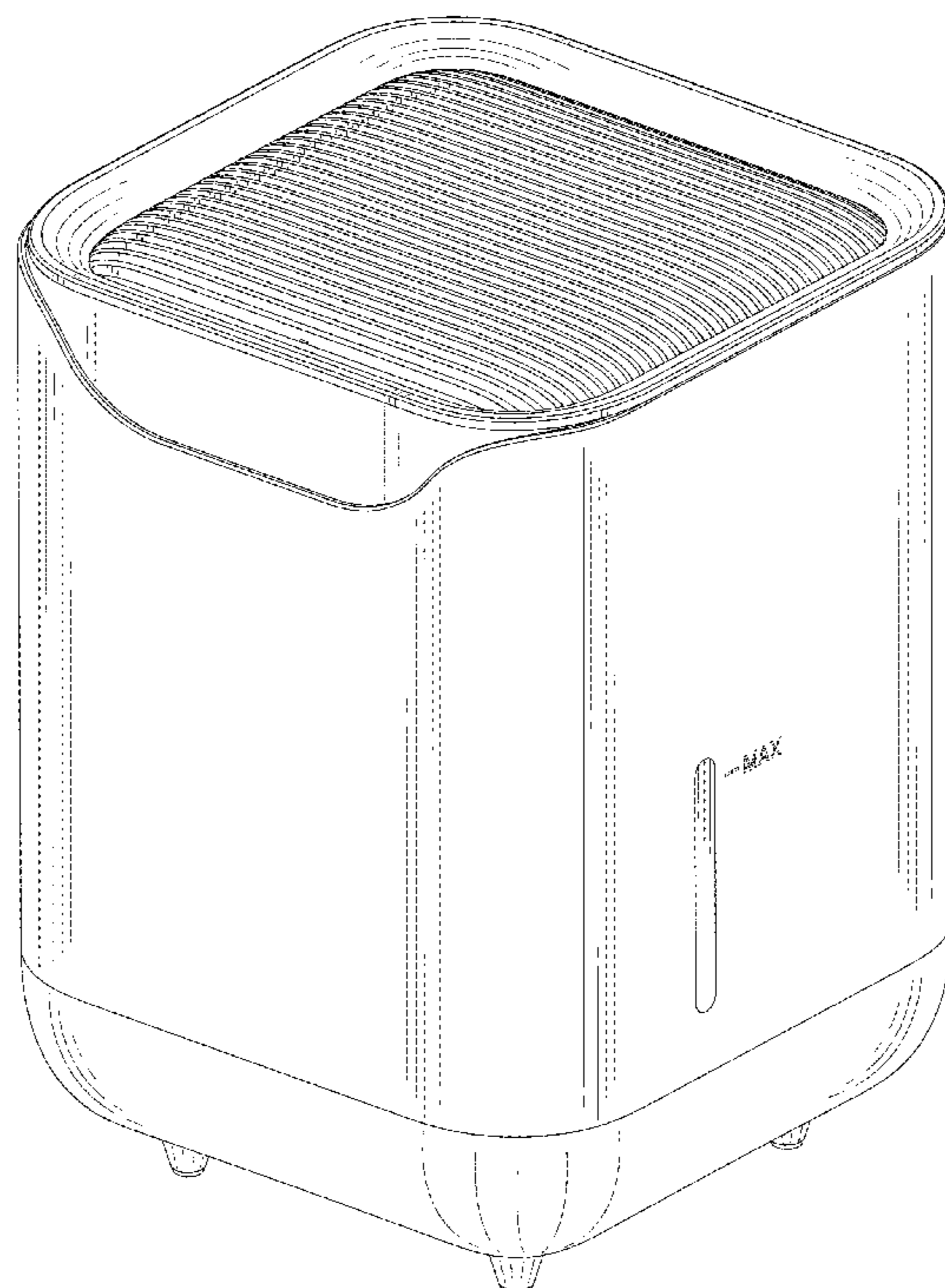
(56) **References Cited**

FIG. 1 is a perspective view of a humidifier showing my new design;  
FIG. 2 is a front elevational view thereof;  
FIG. 3 is a rear elevational view thereof;  
FIG. 4 is a left side elevational view thereof;  
FIG. 5 is a right side elevational view thereof;  
FIG. 6 is a top plan view thereof;  
FIG. 7 is a bottom plan view thereof; and,  
FIG. 8 is another perspective view thereof.  
The broken lines throughout the drawing figures depict portions of the humidifier that form no part of the claimed design.

U.S. PATENT DOCUMENTS

D190,775 S \* 6/1961 Nesbitt ..... D23/356  
3,193,261 A \* 7/1965 Nesbitt ..... B01D 47/085  
261/142  
D565,159 S \* 3/2008 Shin ..... D23/356  
D852,344 S \* 6/2019 Hua ..... D23/364  
D876,598 S \* 2/2020 Liu ..... D23/356  
D878,532 S \* 3/2020 Shin ..... D23/364  
D922,554 S \* 6/2021 Qin ..... D23/356  
D928,298 S \* 8/2021 Zuo ..... D23/364  
2015/0231543 A1 \* 8/2015 Wennerstrom ..... F24F 13/28  
96/57  
2021/0190342 A1 \* 6/2021 Zhan ..... F24F 13/082

**1 Claim, 8 Drawing Sheets**



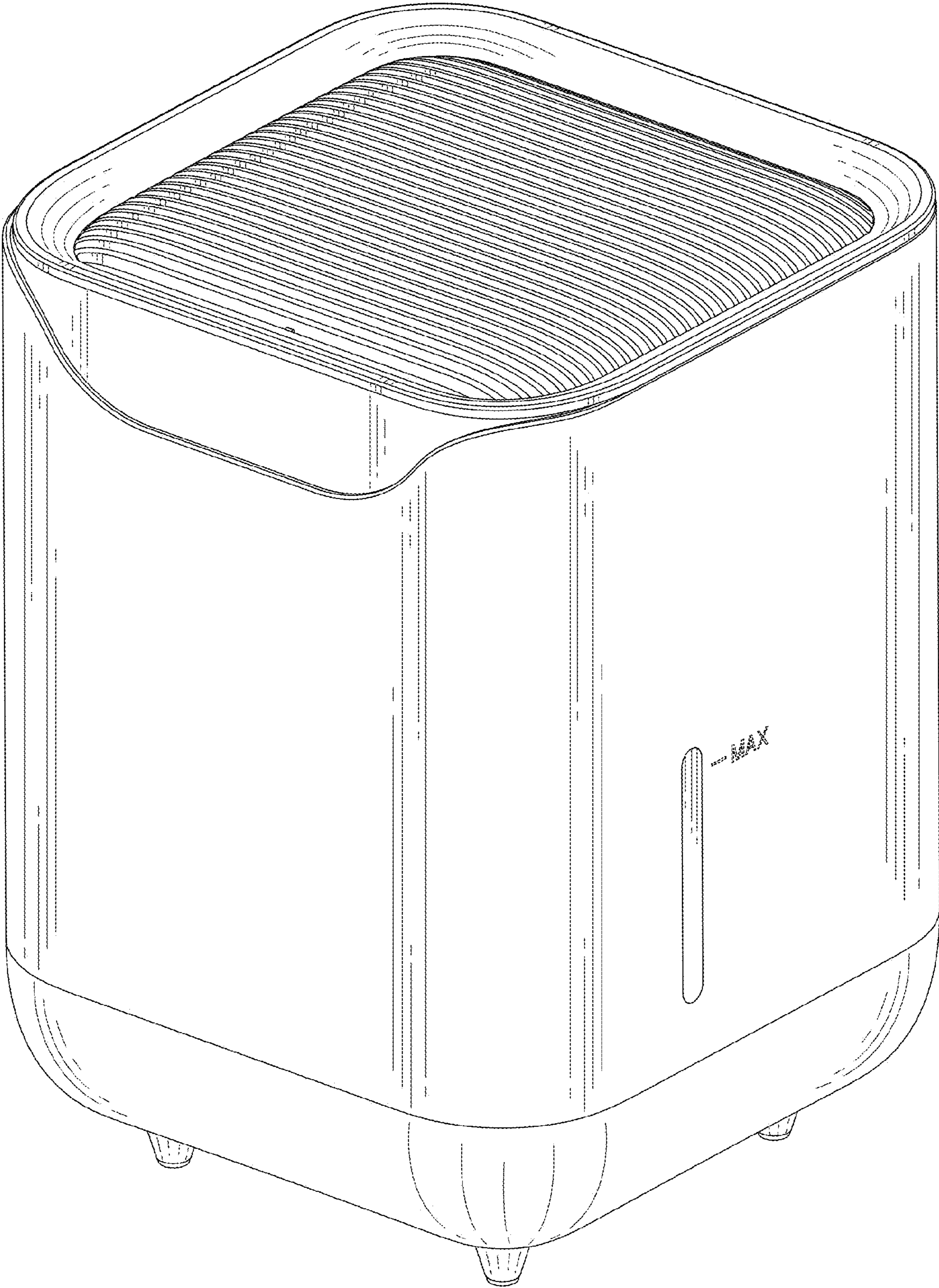


FIG.1

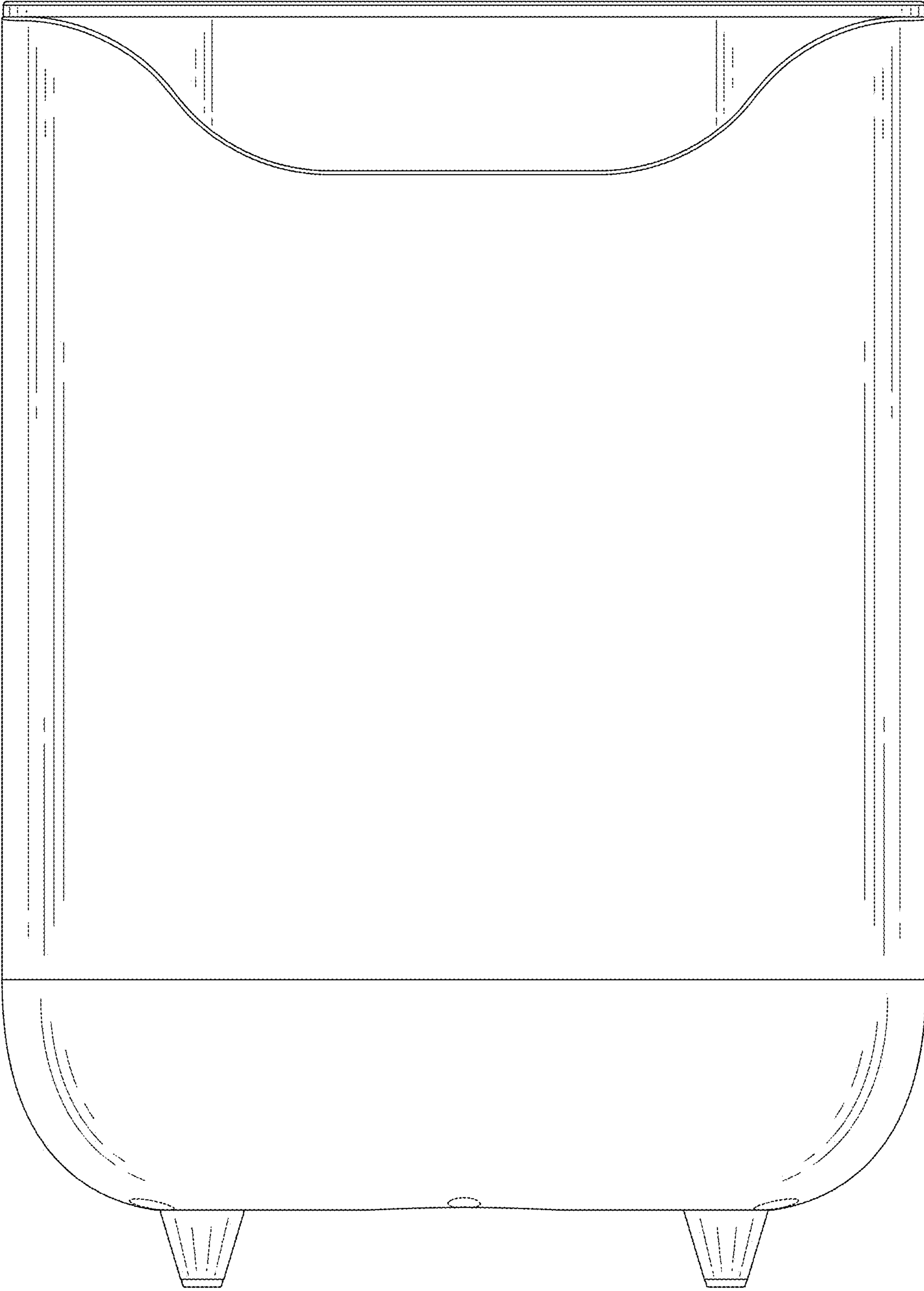


FIG.2

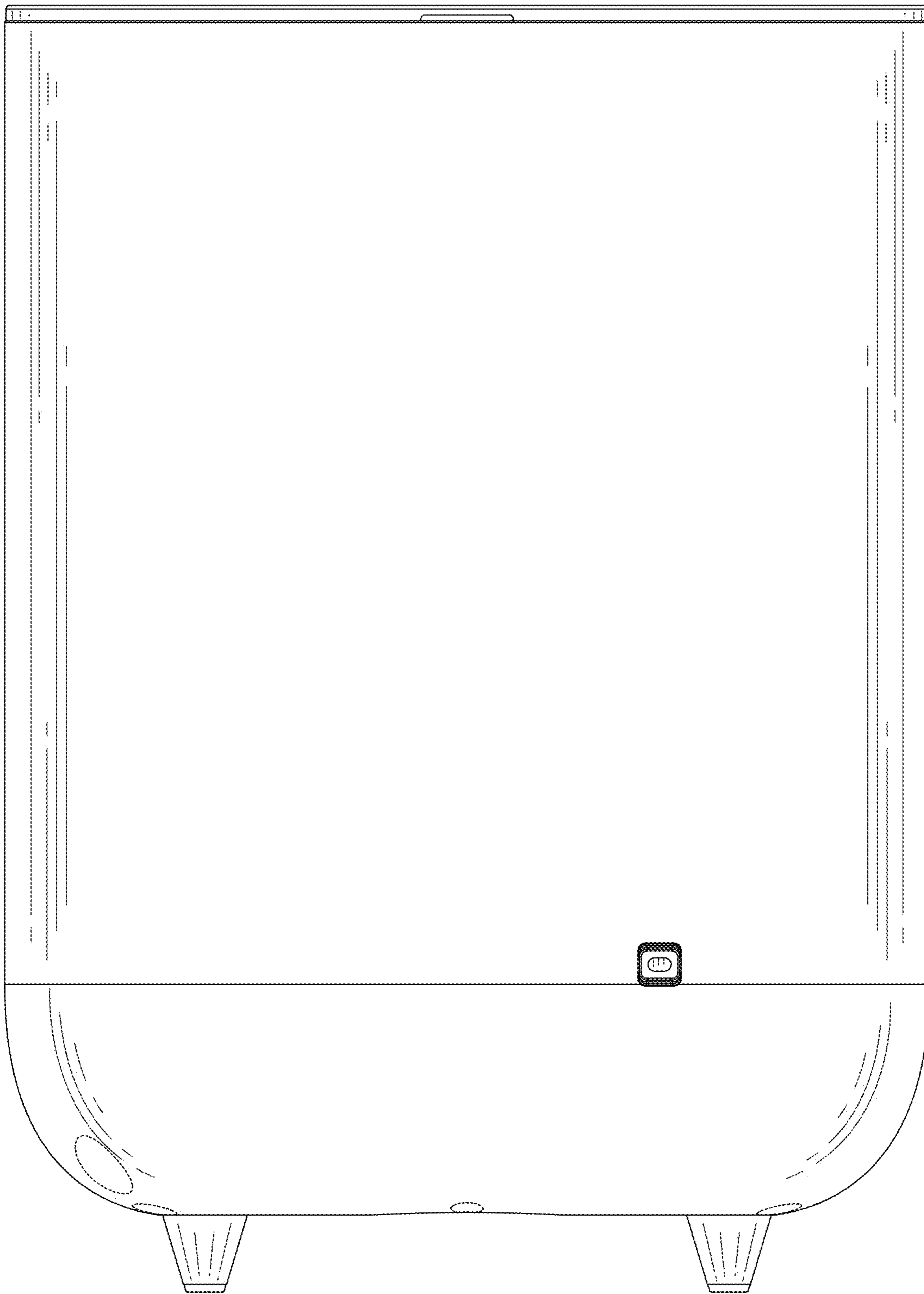


FIG.3

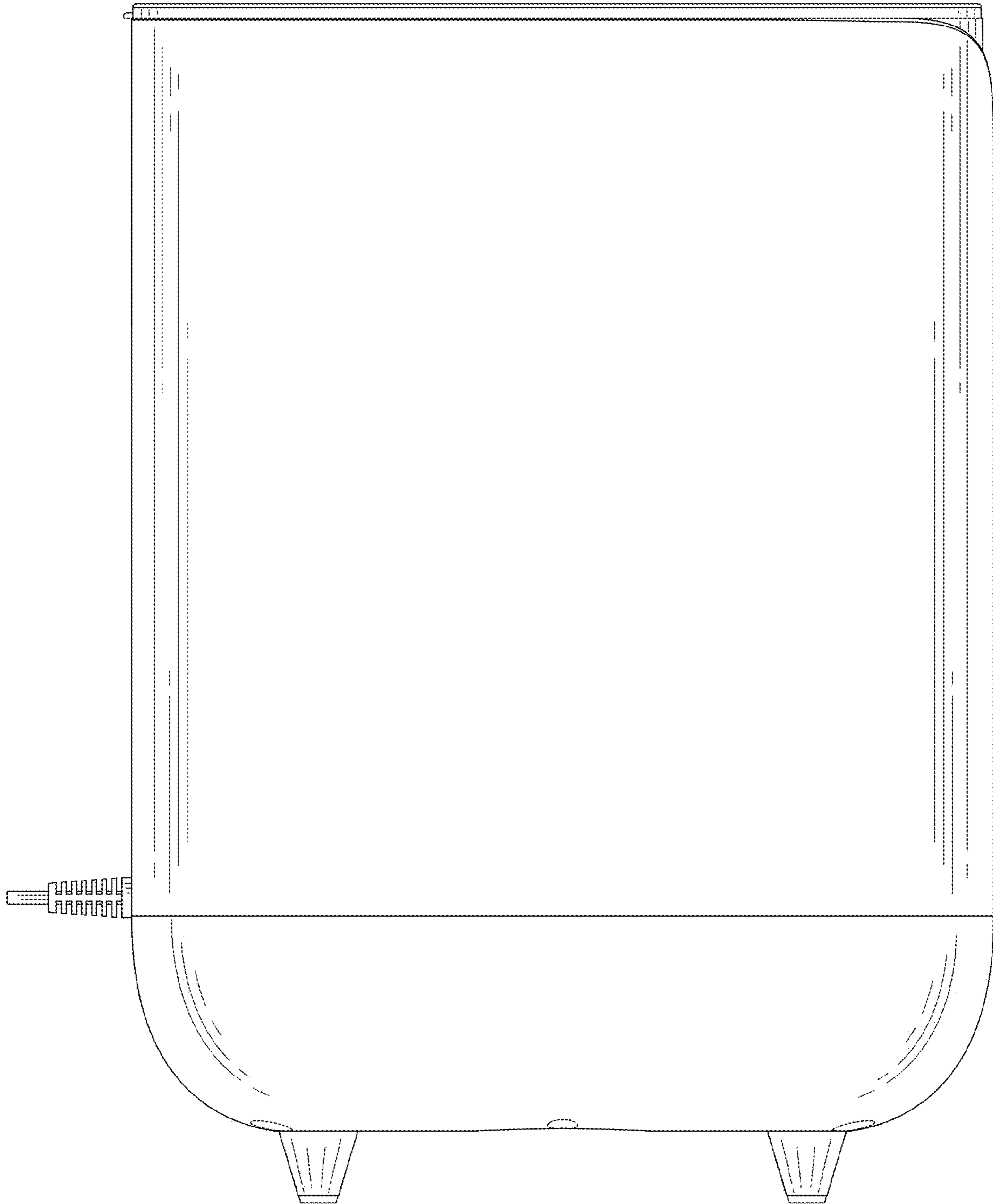


FIG.4

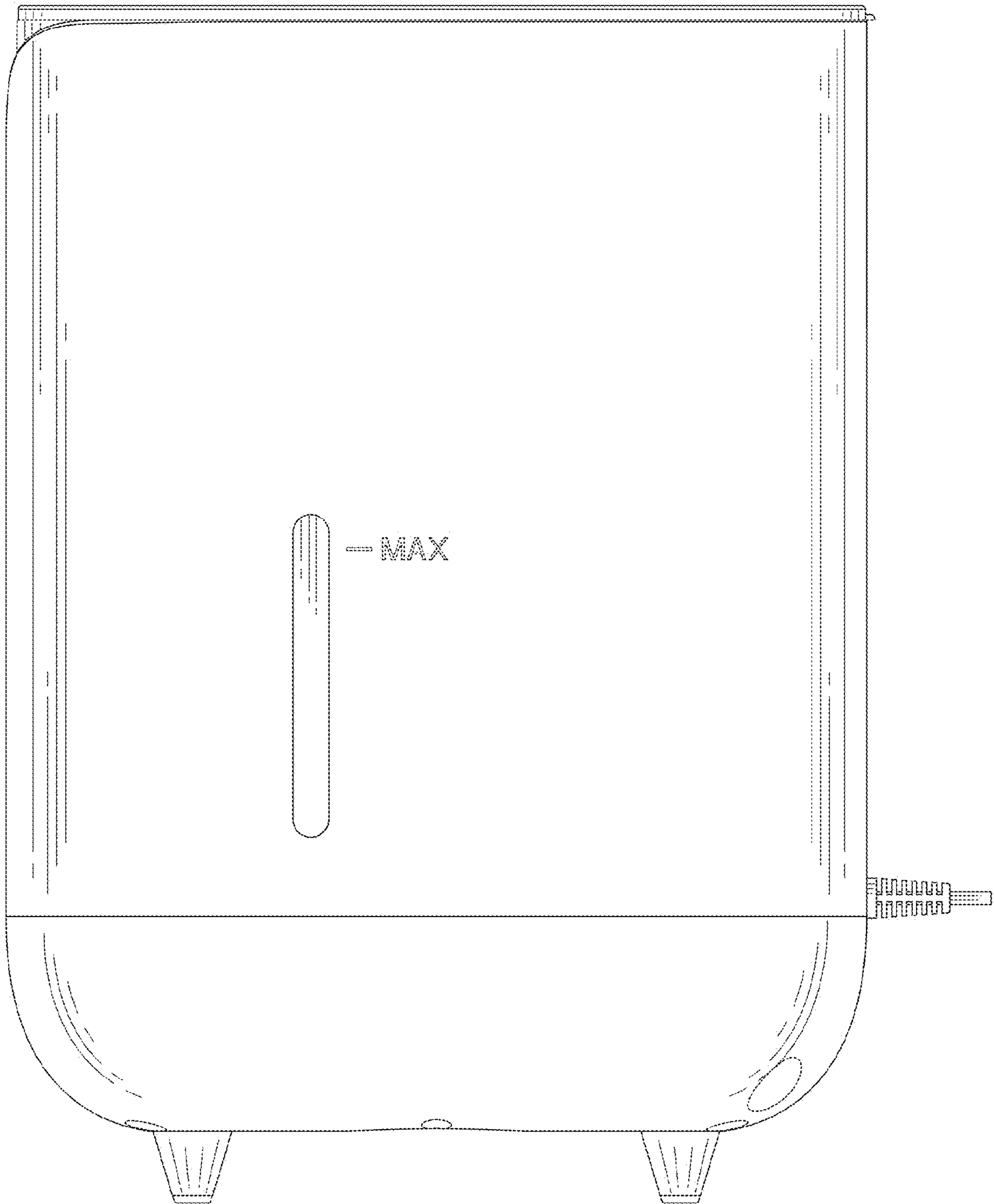


FIG.5



FIG.6

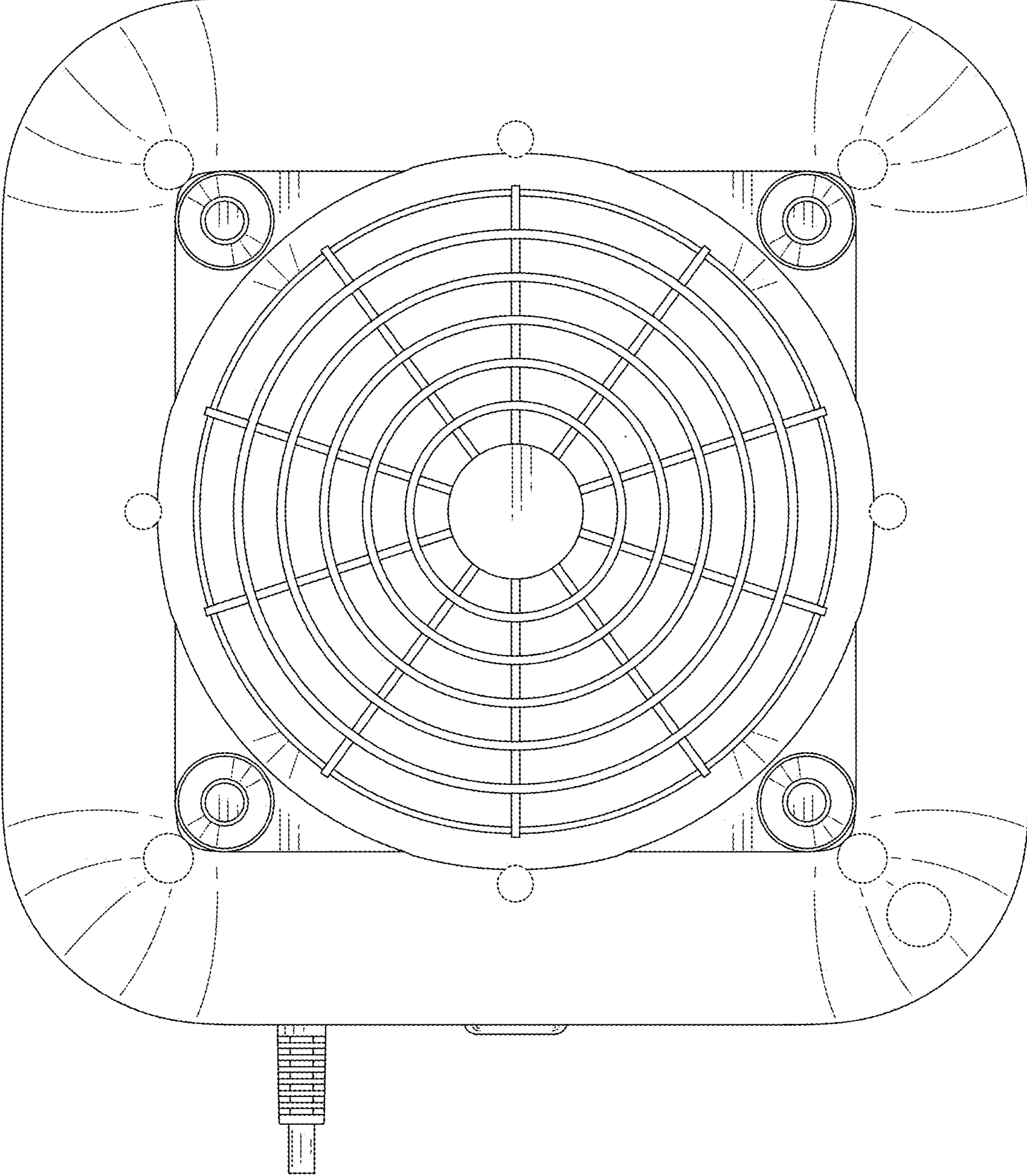


FIG.7



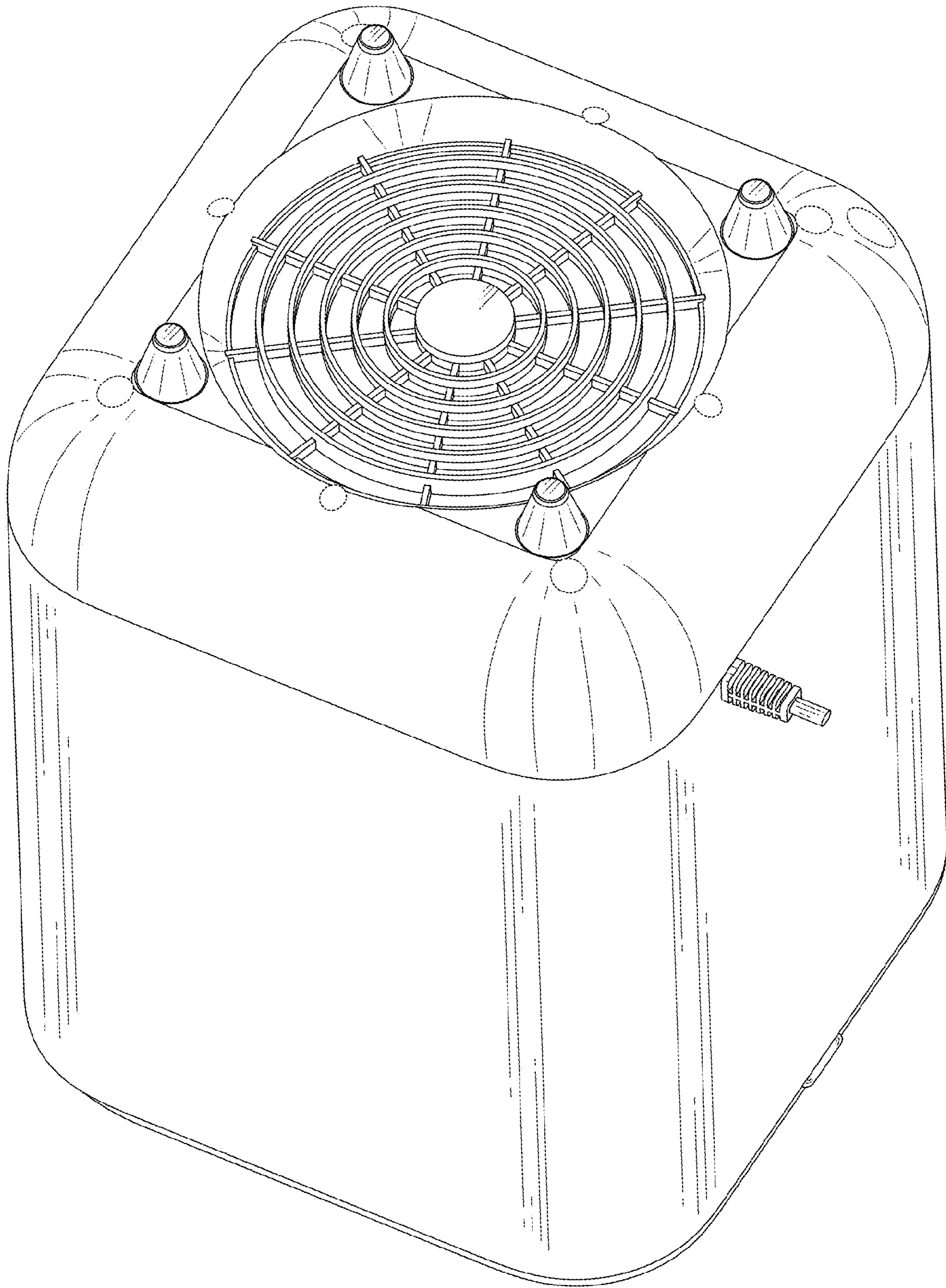


FIG.8