



US00D943073S

(12) **United States Design Patent** (10) **Patent No.:** **US D943,073 S**
Huang (45) **Date of Patent:** **** Feb. 8, 2022**

(54) **HUMIDIFIER** D924,385 S * 7/2021 Liu F24F 13/20
D23/356
(71) Applicant: **Haiyang Huang**, Shenzhen (CN) D925,024 S * 7/2021 Huang D23/356
D931,997 S * 9/2021 Chu D23/378

(72) Inventor: **Haiyang Huang**, Shenzhen (CN)
(73) Assignee: **Shenzhen Yifei Technology Co., Ltd.**,
Shenzhen (CN)

FOREIGN PATENT DOCUMENTS

CN 302405852 * 4/2013
CN 305838230 * 6/2020

(**) Term: **15 Years**

OTHER PUBLICATIONS

(21) Appl. No.: **29/743,956**
(22) Filed: **Jul. 24, 2020**
(51) **LOC (13) Cl.** **23-04**
(52) **U.S. Cl.**
USPC **D23/356**
(58) **Field of Classification Search**
USPC D23/317, 332, 335, 356, 359, 364-365,
D23/378, 499
CPC F24F 3/16; F24F 3/1405; F24F 3/1603;
F24F 13/20; F24F 13/222
See application file for complete search history.

Kismile Portable Tower Fan, first available May 27, 2020[online],
[site visited Dec. 2, 2021]. Available from internet, URL:< <https://www.amazon.com/Kismile-Portable-Oscillation-Powerful-Standing/dp/B08H8LXDF2> > (Year: 2020).*

(Continued)

Primary Examiner — Barbara Fox
Assistant Examiner — Jamaal Rasheed

(57) **CLAIM**

The ornamental design for a humidifier, as shown and described.

(56) **References Cited**

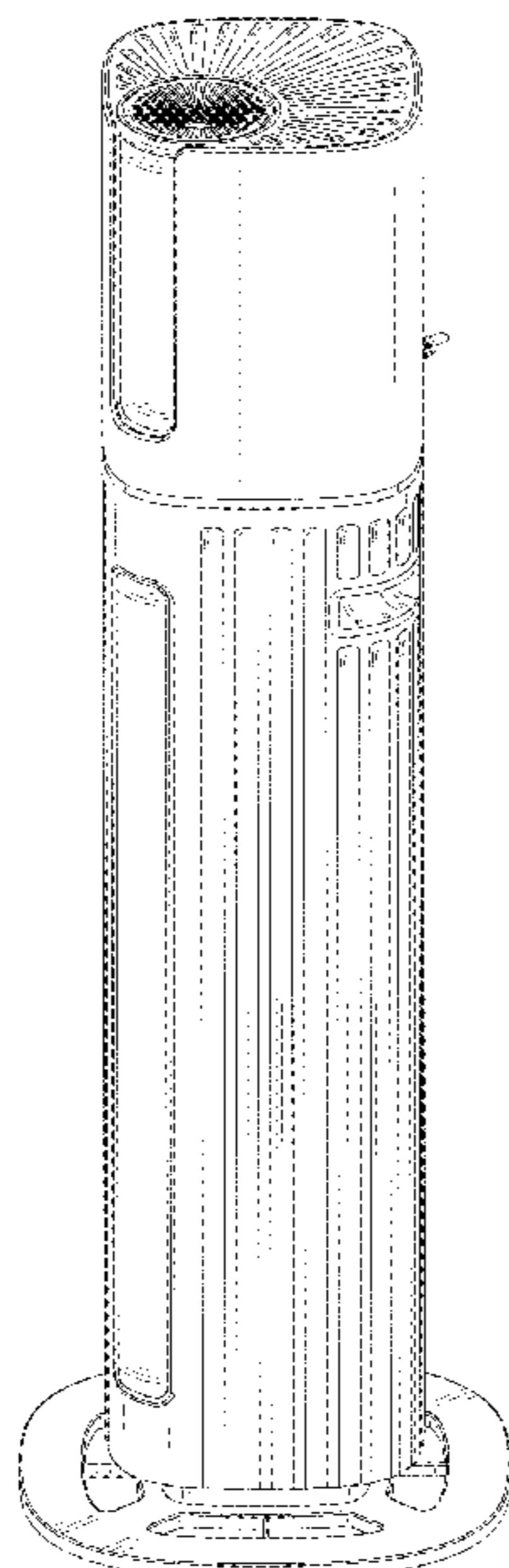
DESCRIPTION

U.S. PATENT DOCUMENTS

D329,284 S * 9/1992 Patton D23/378
D420,438 S * 2/2000 Pinchuk D23/364
D437,039 S * 1/2001 Yamazaki D23/364
D491,654 S * 6/2004 Gatchell D23/364
D509,897 S * 9/2005 Lau D23/378
D539,410 S * 3/2007 Fok D23/378
D551,328 S * 9/2007 Leng D23/364
D581,038 S * 11/2008 Boswell D23/378
D586,899 S * 2/2009 Searle D23/364
D787,657 S * 5/2017 Farone D23/356
D829,319 S * 9/2018 Chen D23/378
D882,055 S * 4/2020 Ediger D23/356
D906,507 S * 12/2020 Kimball D23/378
D909,556 S * 2/2021 Chen D23/356
D910,828 S * 2/2021 Kimball D23/378

FIG. 1 is a perspective view of a humidifier showing my new design;
FIG. 2 is a front elevational view thereof;
FIG. 3 is a rear elevational view thereof;
FIG. 4 is a left side elevational view thereof;
FIG. 5 is a right side elevational view thereof;
FIG. 6 is a top plan view thereof; and,
FIG. 7 is a bottom plan view thereof.
The broken lines throughout the drawing figures depict portions of the humidifier that form no part of the claimed design.

1 Claim, 7 Drawing Sheets



(56)

References Cited

OTHER PUBLICATIONS

Nverlnds 2 in 1 Portable Electric Oscillating Tower Fan, first available May 21, 2020[online], [site visited Dec. 2, 2021]. Available from internet, URL:< <https://www.amazon.com/Nverlnds-Portable-Electric-Oscillating-Nightstand/dp/B0899T7FNX> > (Year: 2020).*

Large Humidifiers for Bedroom, first available Apr. 22, 2021 [online], [site visited Dec. 2, 2021]. Available from internet, URL:<<https://www.amazon.com/Humidifiers-Bedroom-Gallons-Humidification-Function/dp/B08SHWTH99>> (Year: 2021).*

* cited by examiner

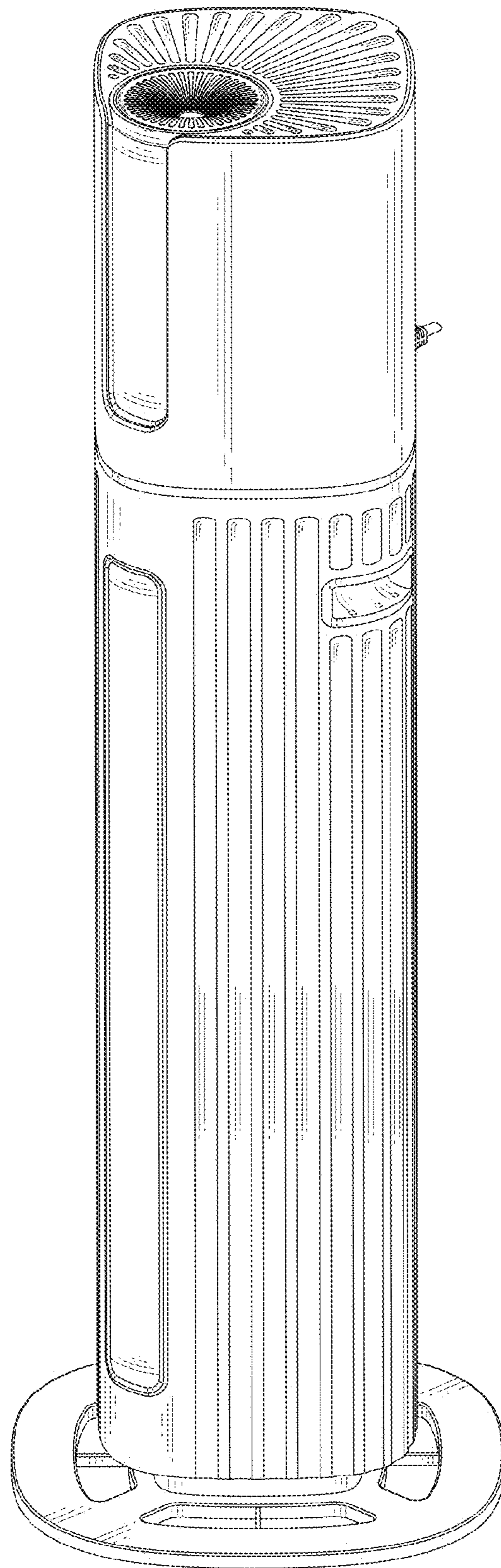


FIG.1

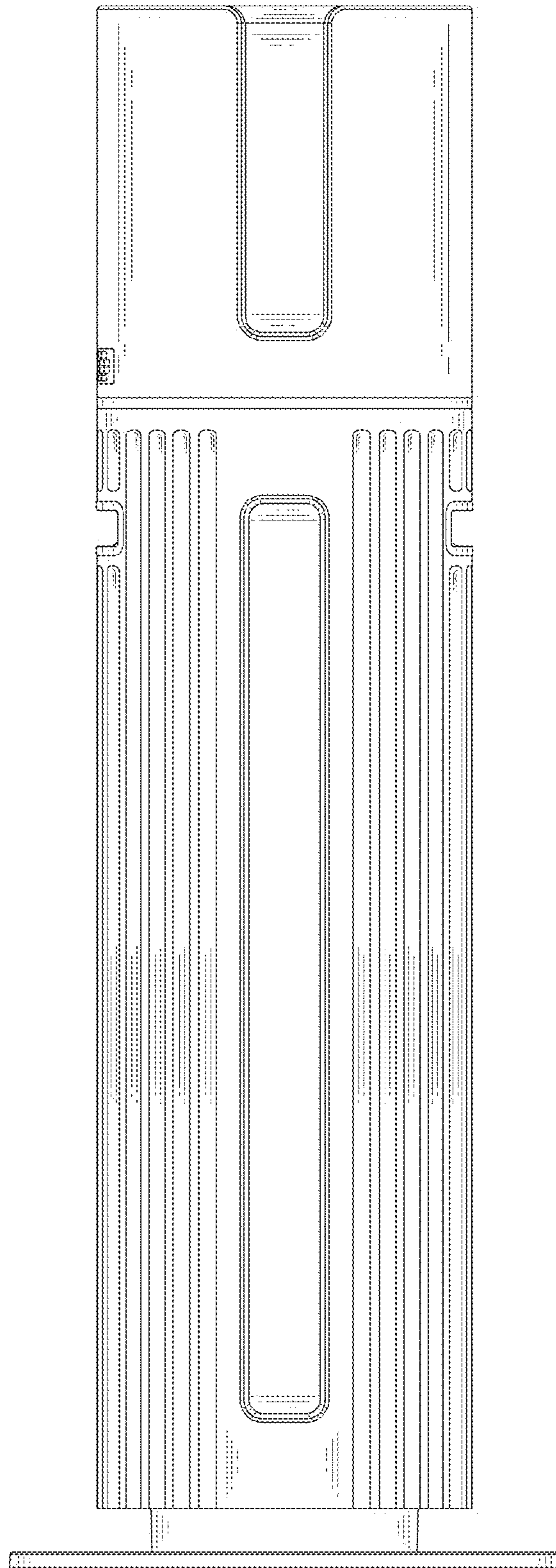


FIG.2

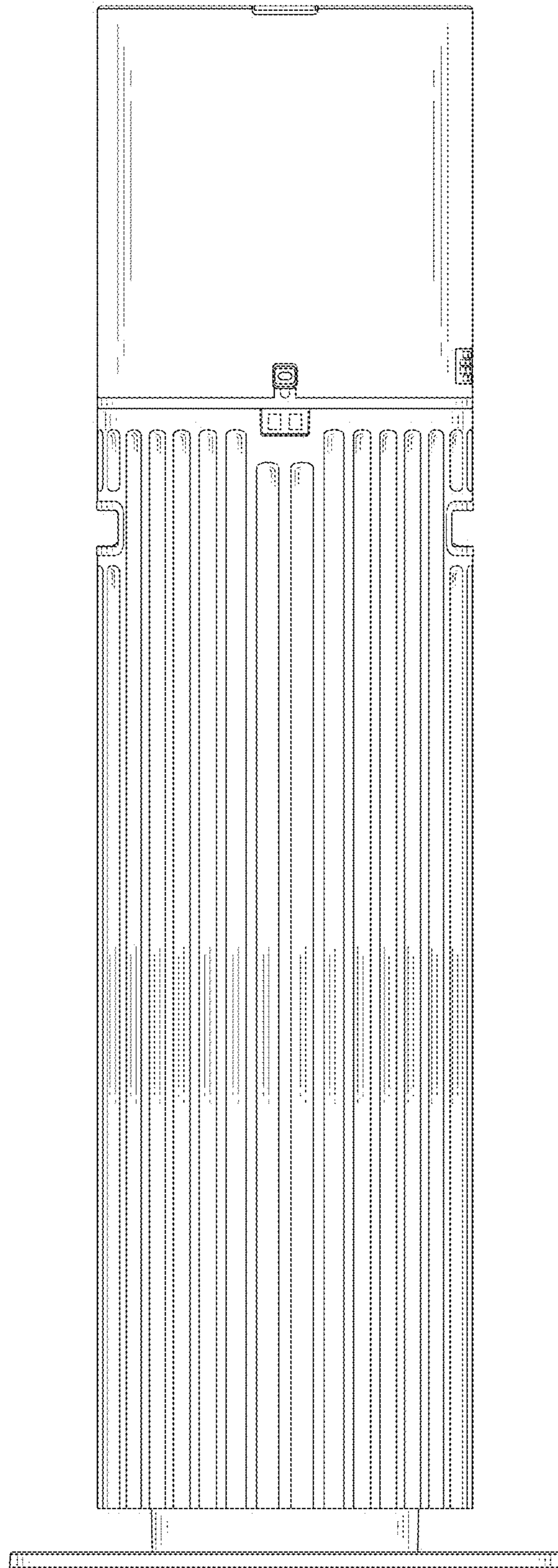


FIG.3

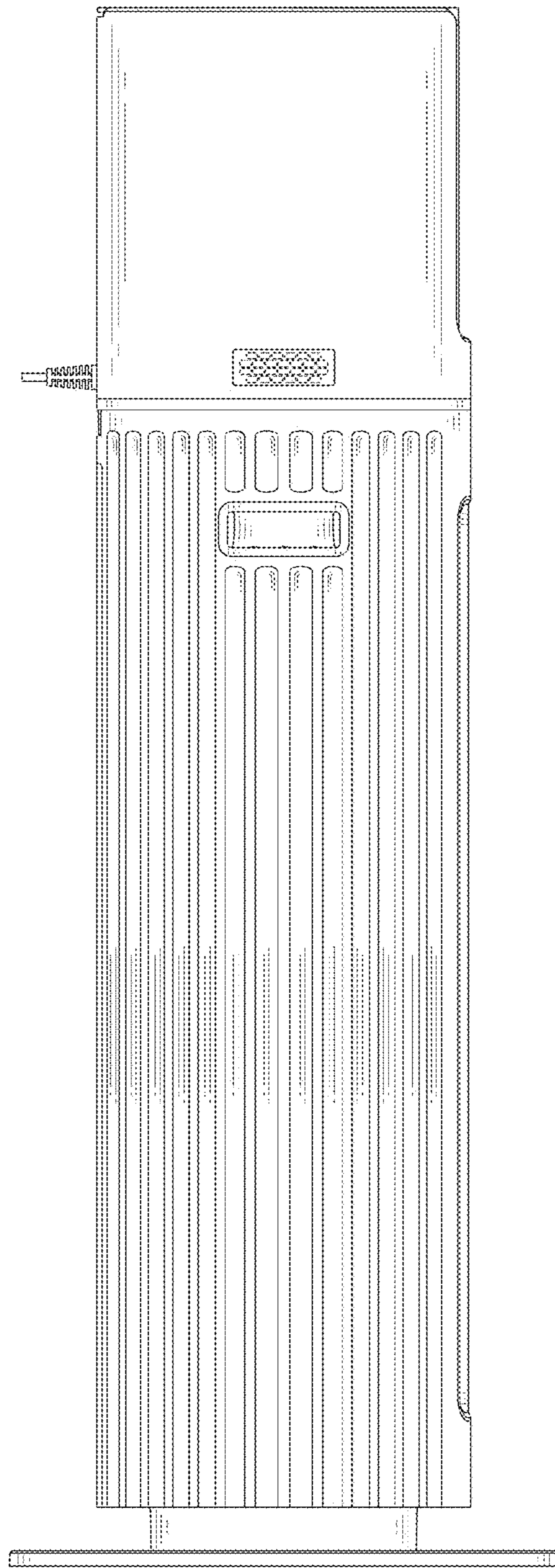


FIG.4

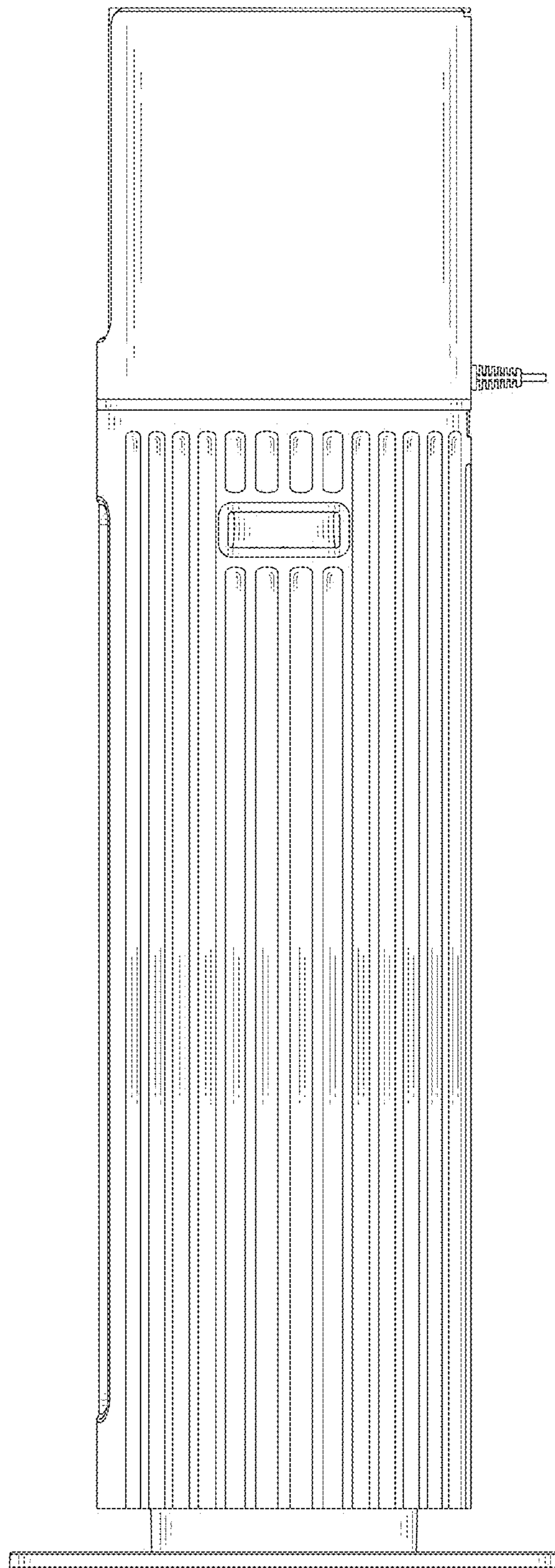


FIG.5

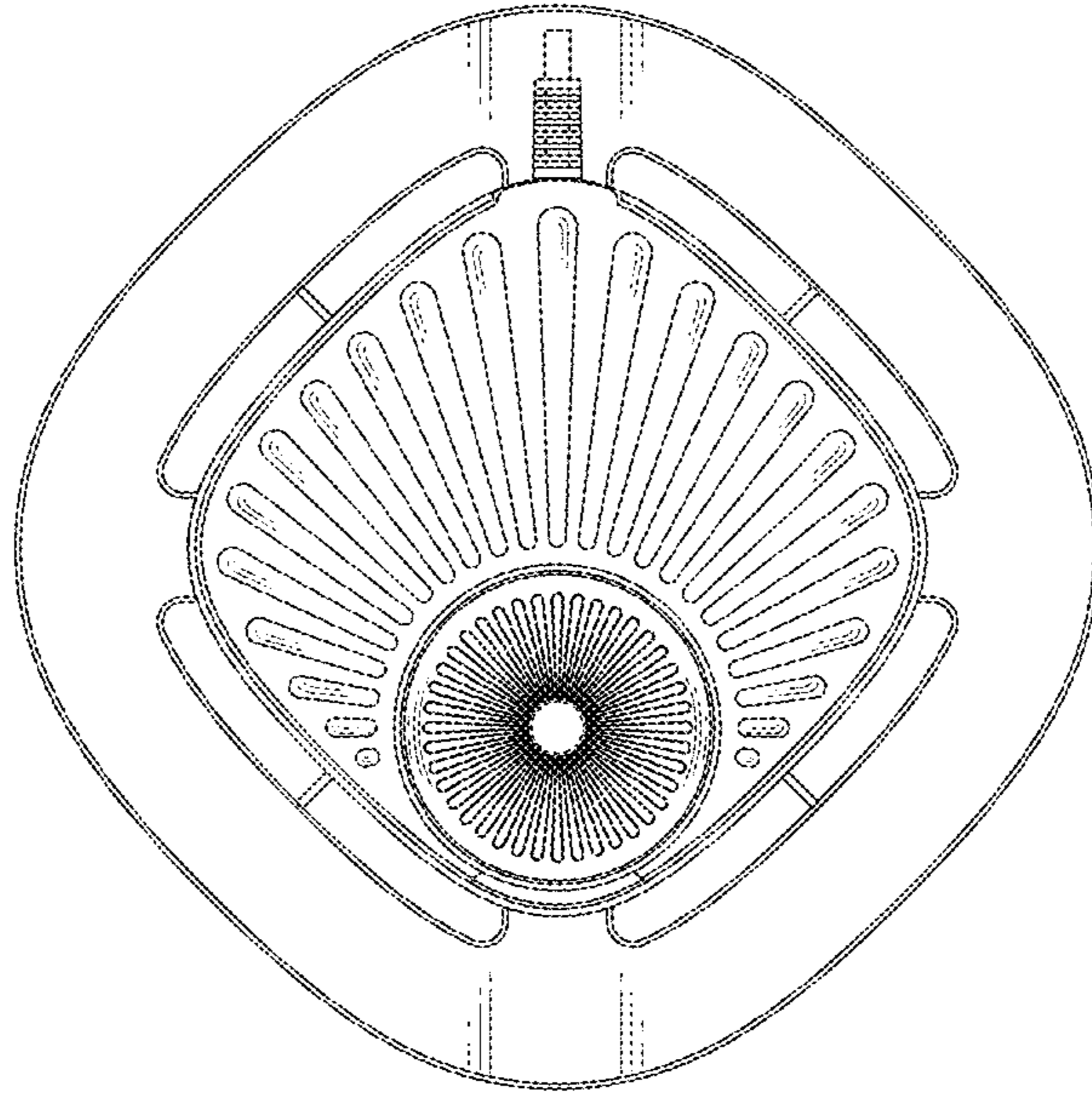


FIG.6

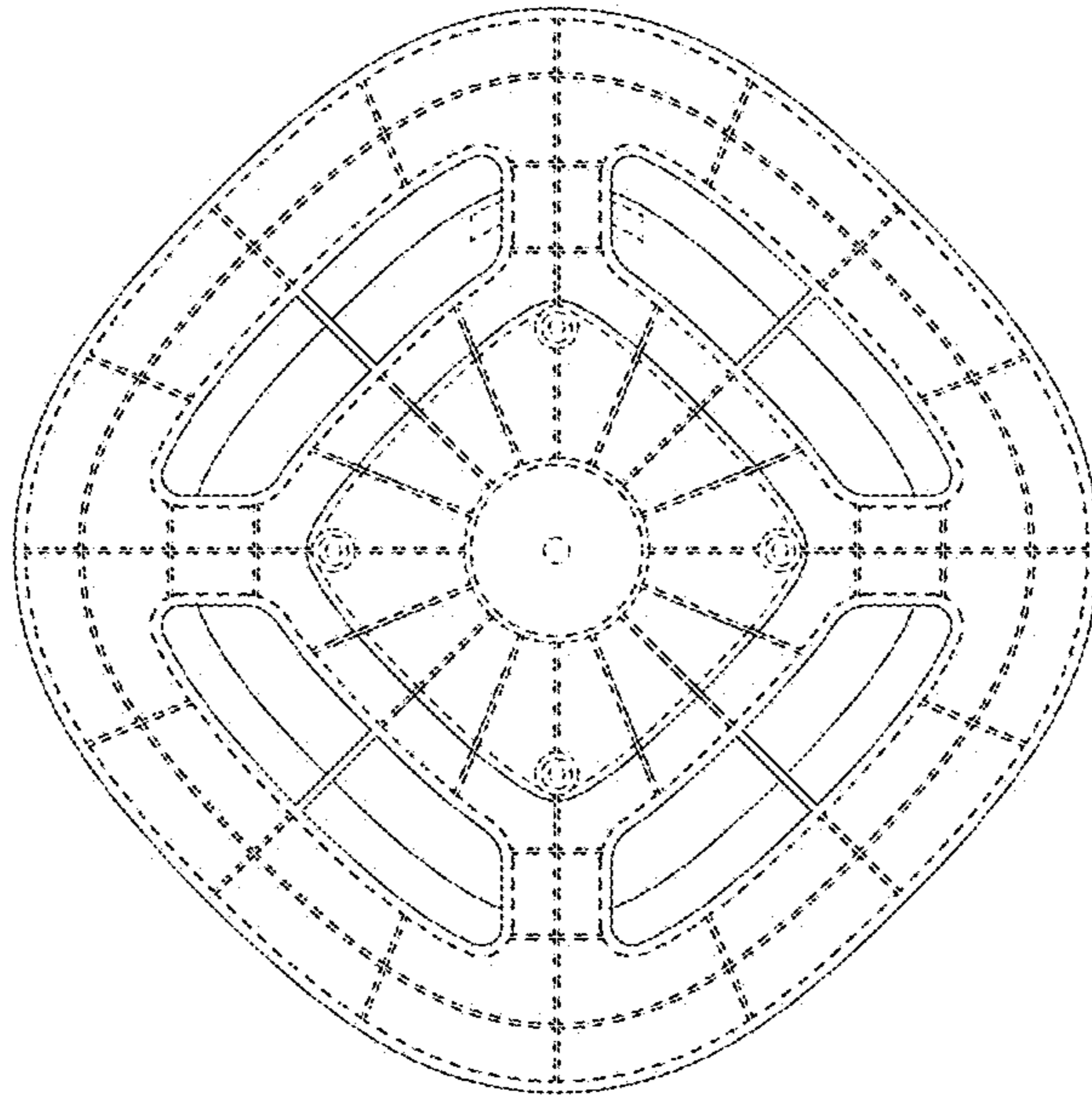


FIG. 7