



US00D943069S

(12) **United States Design Patent** (10) **Patent No.:** **US D943,069 S**  
**Deschenes** (45) **Date of Patent:** **\*\* Feb. 8, 2022**

(54) **FIRE PIT**

FOREIGN PATENT DOCUMENTS

(71) Applicant: **Heather Nichols Deschenes**, Essex,  
MA (US)

CA 188949 \* 7/2019

(72) Inventor: **Heather Nichols Deschenes**, Essex,  
MA (US)

OTHER PUBLICATIONS

(\*\*) Term: **15 Years**

Hillenbrand & Co Fire pit, first available Jan. 19, 2020[online], [site visited Nov. 5, 2021]. Available from internet, URL:<<https://www.amazon.ca/dp/B07WX8343K>> (Year: 2020).\*

(21) Appl. No.: **29/741,490**

\* cited by examiner

(22) Filed: **Jul. 13, 2020**

*Primary Examiner* — Barbara Fox

(51) **LOC (13) Cl.** ..... **23-01**

*Assistant Examiner* — Jamaal Rasheed

(52) **U.S. Cl.**

(74) *Attorney, Agent, or Firm* — Quickpatents, LLC;  
Kevin Prince

USPC ..... **D23/335**

(58) **Field of Classification Search**

USPC ..... D23/339–346, 403–409, 416; D7/407

CPC ..... A47J 37/04; F23B 20/00; F23C 1/16

See application file for complete search history.

(57) **CLAIM**

The ornamental design for a fire pit, as shown and described.

(56) **References Cited**

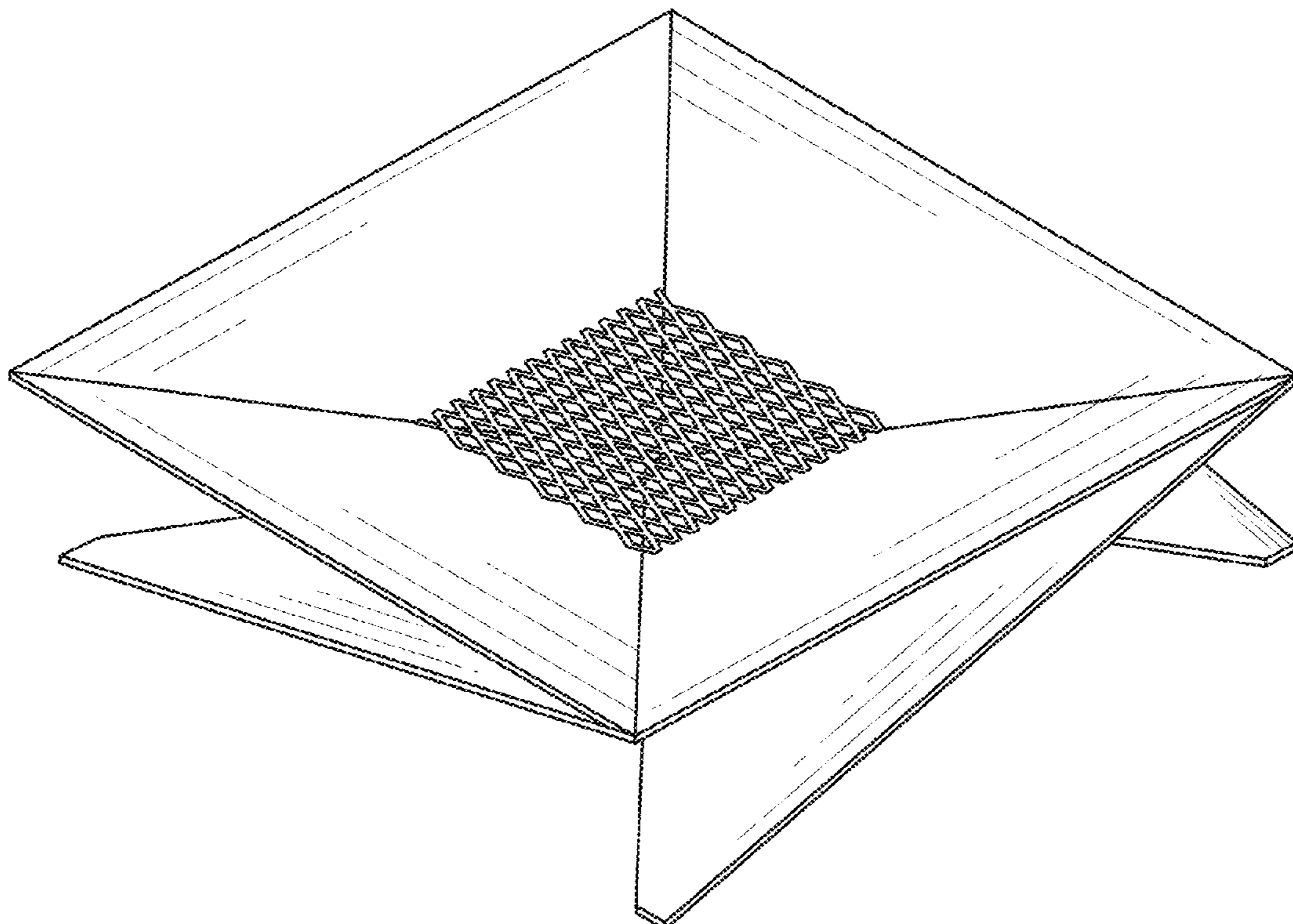
**DESCRIPTION**

U.S. PATENT DOCUMENTS

|                   |         |             |       |              |
|-------------------|---------|-------------|-------|--------------|
| D575,389 S *      | 8/2008  | Lazzara     | ..... | D23/403      |
| D595,833 S *      | 7/2009  | Lazzara     | ..... | D23/403      |
| D791,294 S *      | 7/2017  | Grisham     | ..... | D23/343      |
| D792,567 S *      | 7/2017  | Zemel       | ..... | D23/343      |
| 10,201,233 B2 *   | 2/2019  | Grisham     | ..... | F24B 3/00    |
| D865,929 S *      | 11/2019 | Hughes      | ..... | D23/332      |
| D888,914 S *      | 6/2020  | Hartman     | ..... | D23/339      |
| D896,358 S *      | 9/2020  | Xu          | ..... | D23/332      |
| D911,503 S *      | 2/2021  | Hillenbrand | ..... | D23/332      |
| 10,989,414 B2 *   | 4/2021  | Poggi       | ..... | A47J 37/0763 |
| 2021/0063017 A1 * | 3/2021  | Poggi       | ..... | F24B 1/192   |

FIG. 1 is a top perspective view of a fire pit, showing my new design;  
FIG. 2 is a bottom perspective view thereof;  
FIG. 3 is a front elevational view thereof, the rear elevational view, left-side elevational view, and right-side elevational view all being identical thereto;  
FIG. 4 is a top plan view thereof; and,  
FIG. 5 is a bottom plan view thereof.

**1 Claim, 3 Drawing Sheets**



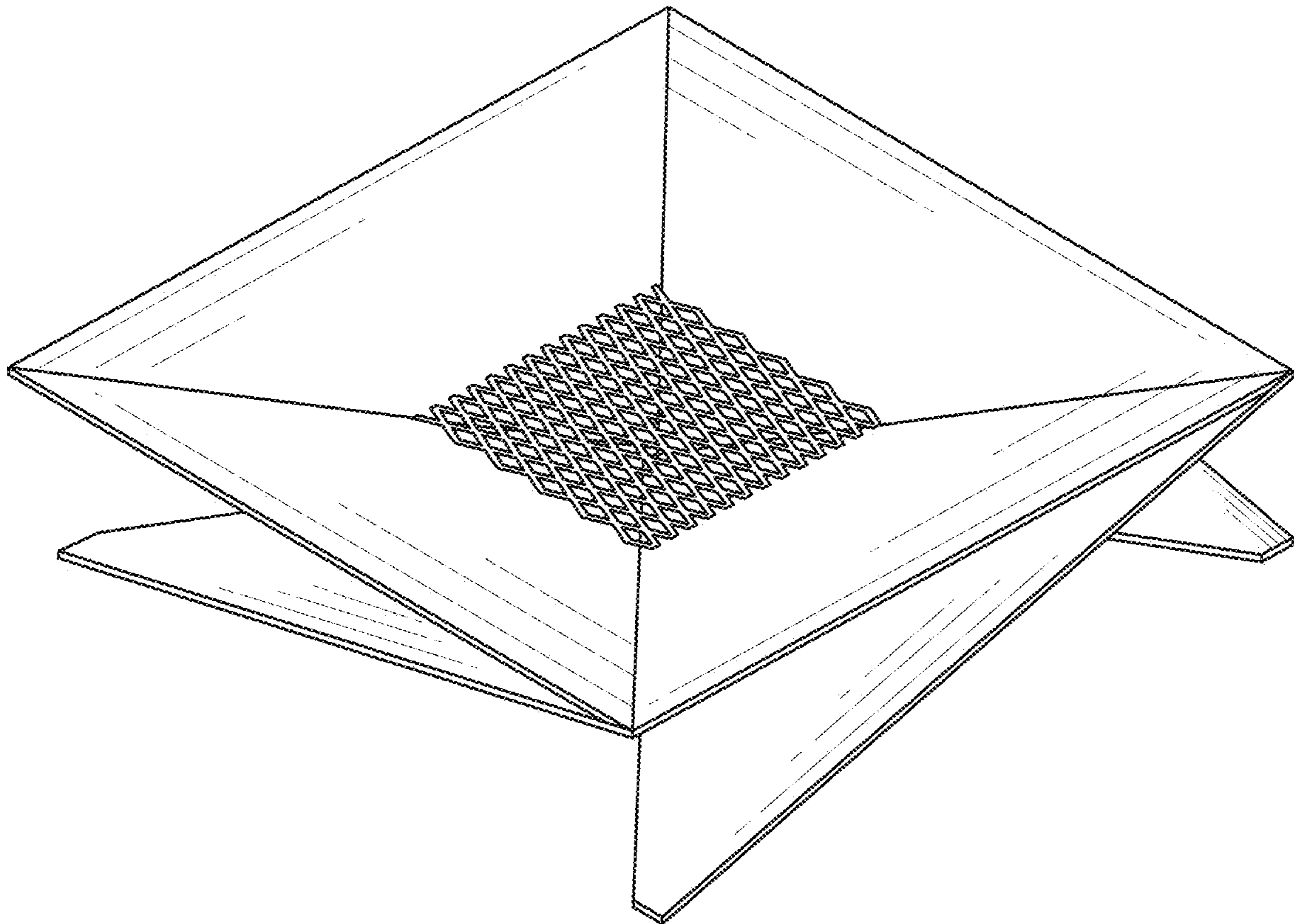


FIG. 1

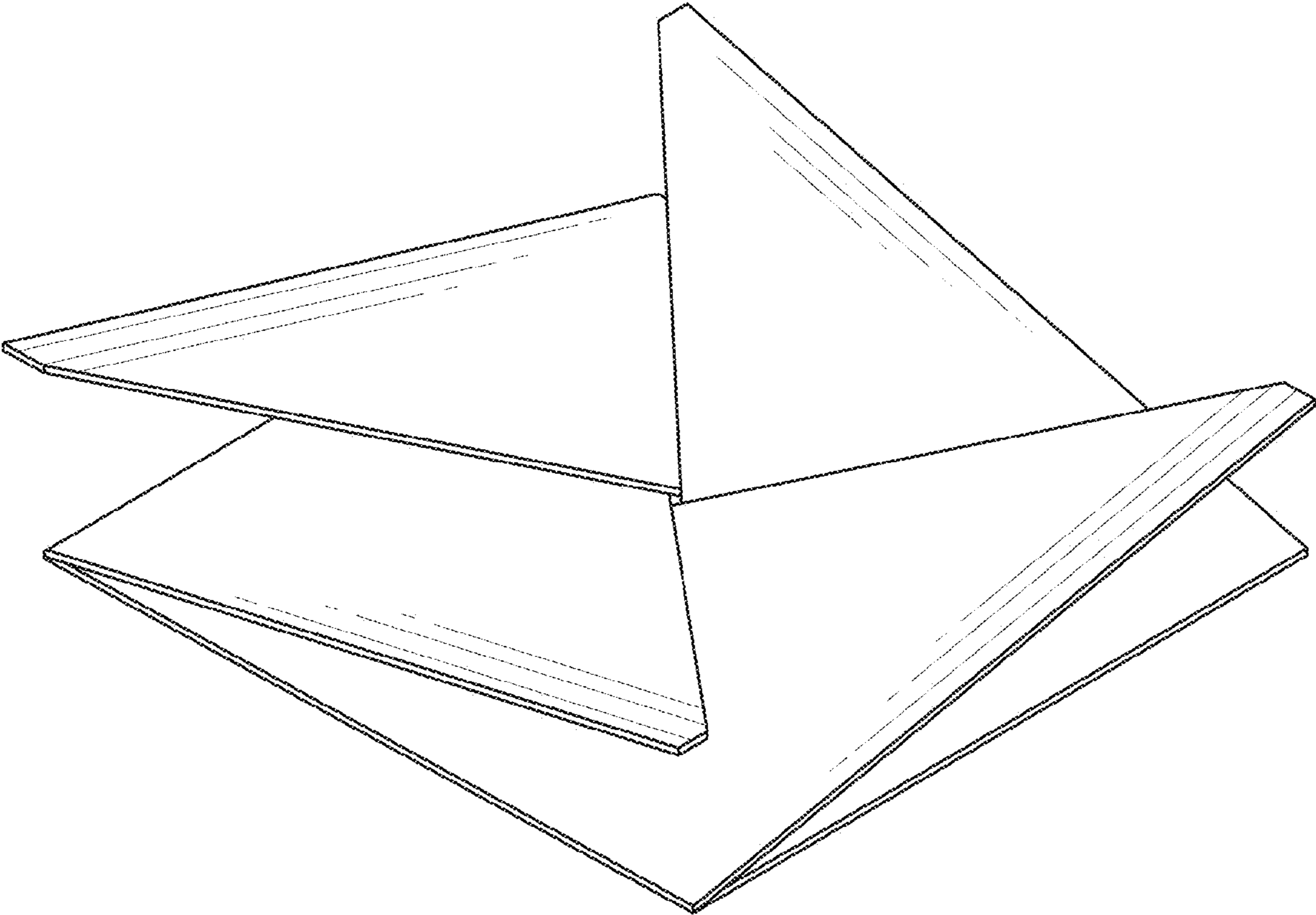


FIG. 2

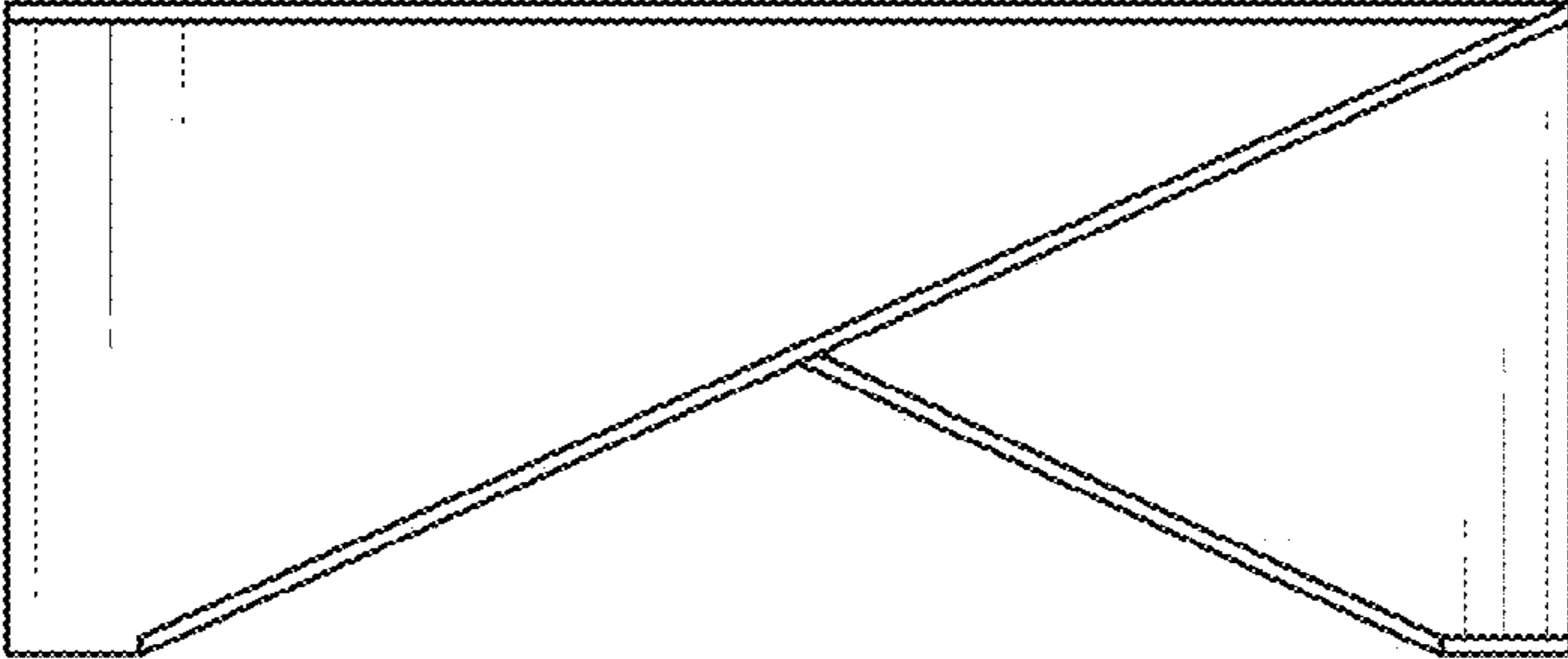


FIG. 3



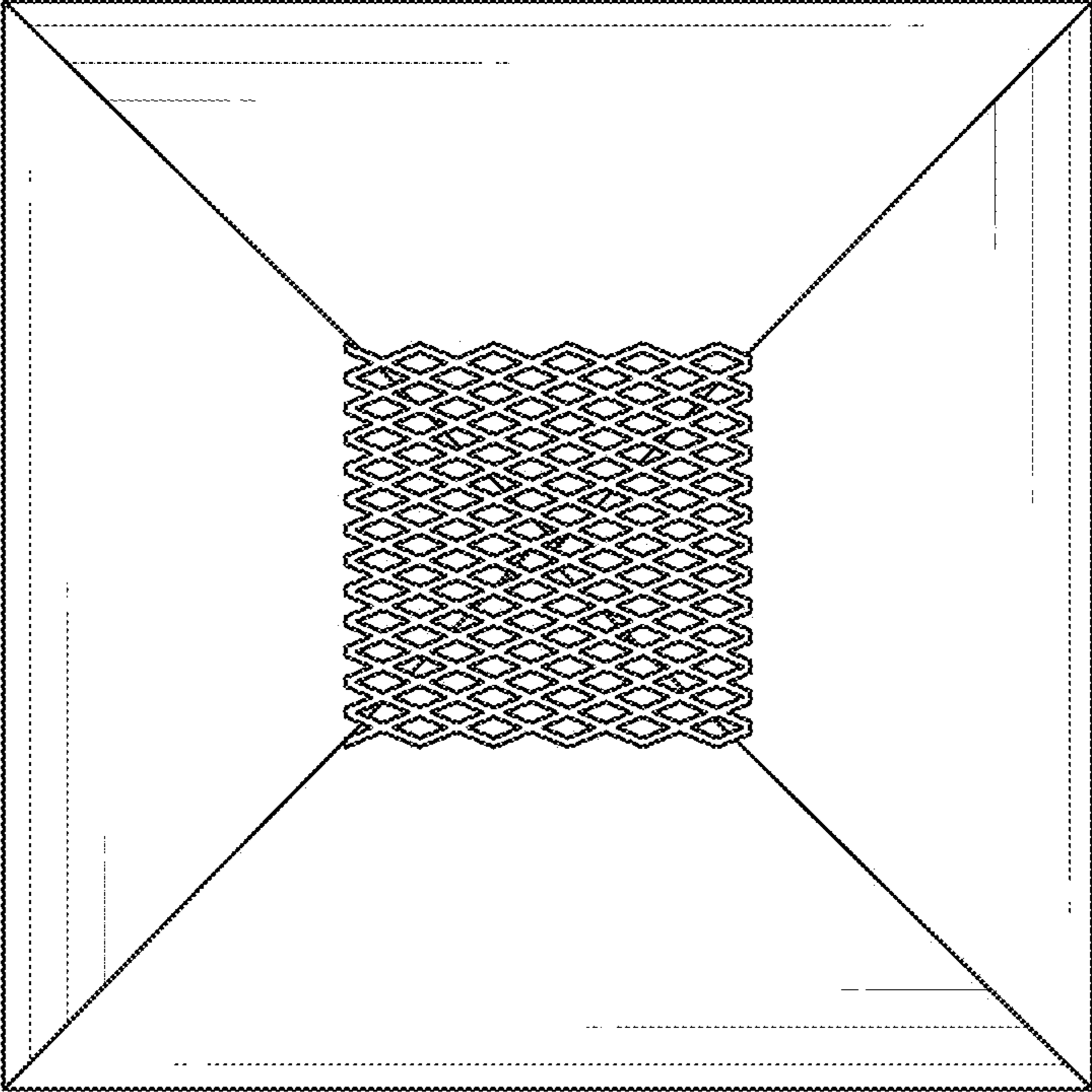


FIG. 4

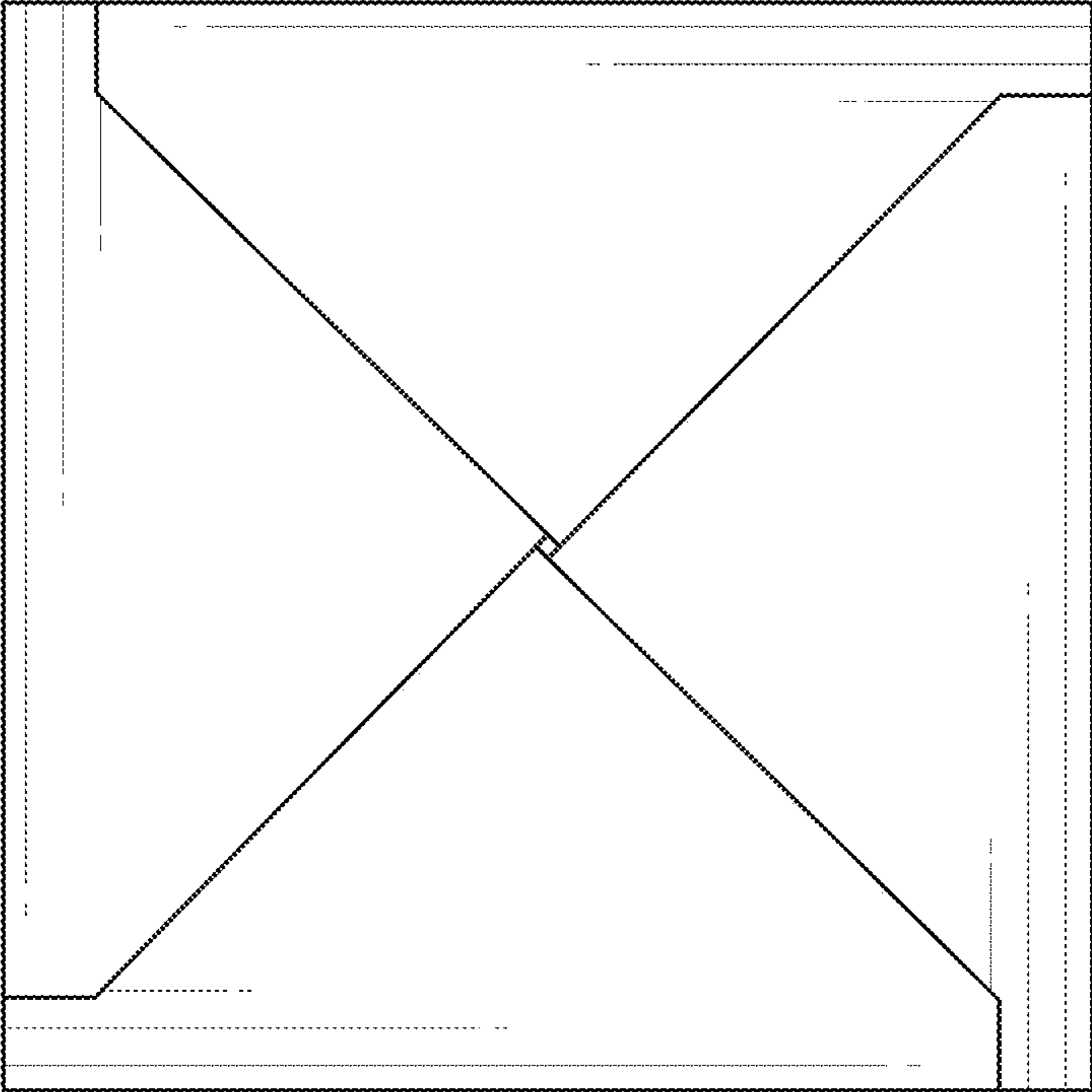


FIG. 5