



US00D943068S

(12) **United States Design Patent** (10) **Patent No.:** **US D943,068 S**
Kang et al. (45) **Date of Patent:** **** Feb. 8, 2022**

(54) **BATHTUB**

FOREIGN PATENT DOCUMENTS

(71) Applicant: **AS America, Inc.**, Piscataway, NJ (US)

CN 3381180 * 11/2003
CN 302761823 * 8/2013

(72) Inventors: **Kye Kang**, New York, NY (US);
Christophe Bucher, Hillsborough, NJ (US)

(Continued)

(73) Assignee: **AS America, Inc.**, Piscataway, NJ (US)

(**) Term: **15 Years**

(21) Appl. No.: **29/711,180**

(22) Filed: **Oct. 29, 2019**

(51) **LOC (13) Cl.** **23-01**

(52) **U.S. Cl.**
USPC **D23/277**

(58) **Field of Classification Search**
USPC ... D23/277-279, 280.1, 280.2, 280.3, 280.4,
D23/304-307

CPC A47K 3/02; A47K 3/006; A47K 3/022
See application file for complete search history.

(56) **References Cited**

U.S. PATENT DOCUMENTS

D444,547 S * 7/2001 Kuo D23/280.1
D470,579 S * 2/2003 Foster D23/280.1
D483,444 S * 12/2003 Lebrun D23/277
D510,615 S * 10/2005 Matthews D23/280.1
D595,392 S * 6/2009 Verlinden D23/278
D694,866 S * 12/2013 Quigley D23/277
D709,598 S * 7/2014 Dupras D23/280.1
D724,706 S * 3/2015 Meneghello D23/277
D745,644 S * 12/2015 Burke D23/277
D745,645 S * 12/2015 Burke D23/277
D784,499 S * 4/2017 Malinowska-Gebaska ... D23/277
D794,167 S * 8/2017 Burke D23/277
D827,789 S * 9/2018 Bowen D23/277
D827,790 S * 9/2018 Bowen D23/277
D882,047 S * 4/2020 Burnstein D23/277
D895,080 S * 9/2020 Moir D23/280.1
D905,210 S * 12/2020 Moir D23/280.1

(Continued)

OTHER PUBLICATIONS

FerdY Shangri-La 67" x 31" Acrylic Freestanding Bathtub, first available Mar. 15, 2018[online], [site visited Jul. 12, 2021]. Available from internet, URL:<https://www.amazon.com/FerdY-Freestanding-Overflow-Assembly-Included/dp/B01NASFL79> (Year: 2018).*

(Continued)

Primary Examiner — Barbara Fox

Assistant Examiner — Jamaal Rasheed

(74) *Attorney, Agent, or Firm* — Tyler A. Stevenson;
Anna-lisa L. Gallo

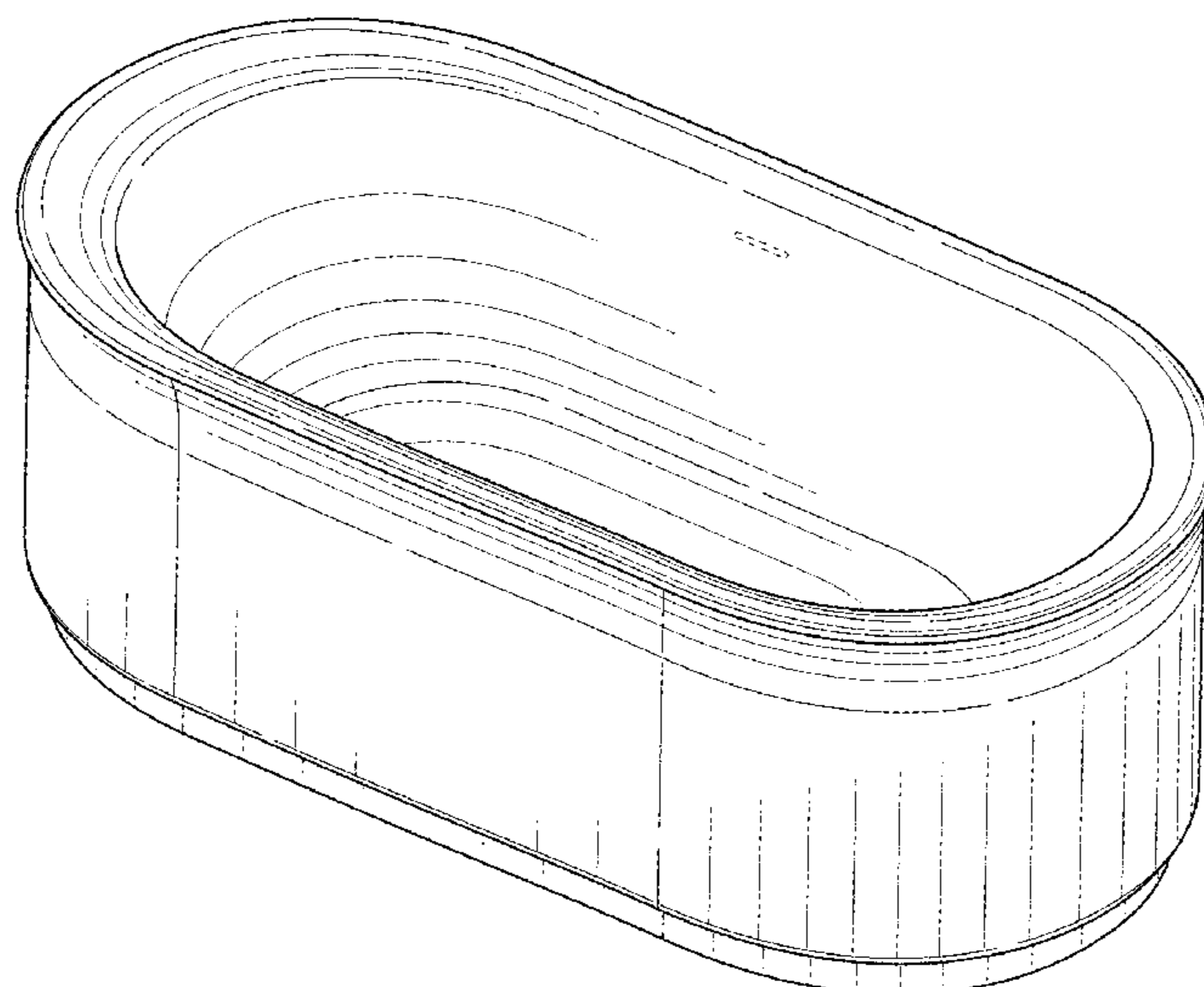
(57) **CLAIM**

We claim the ornamental design for a bathtub, as shown and described.

DESCRIPTION

FIG. 1 is a front, top, right side perspective view of a bathtub showing our new design;
FIG. 2 is a front view thereof;
FIG. 3 is a rear side view thereof;
FIG. 4 is a left side view thereof;
FIG. 5 is a right side view thereof;
FIG. 6 is a top view thereof;
FIG. 7 is a bottom view thereof; and,
FIG. 8 is a front, bottom, left side perspective view thereof. The broken lines in the drawings depict portions of the bathtub that form no part of the claimed design.

1 Claim, 5 Drawing Sheets



(56)

References Cited

U.S. PATENT DOCUMENTS

D913,456 S * 3/2021 Manz D23/280.1
2008/0072375 A1* 3/2008 Stewart A61H 33/005
4/584
2014/0068852 A1* 3/2014 Page A61G 7/0005
4/547
2016/0281341 A1* 9/2016 Seckler E03C 1/232
2020/0078263 A1* 3/2020 Amici A61H 33/6073

FOREIGN PATENT DOCUMENTS

CN 306066899 * 4/2020
JP D1296715 * 12/2005

OTHER PUBLICATIONS

Woodbridge Water Jetted and Air Bubble Freestanding Bathtub, first available Jan. 17, 2018[online], [site visited Jul. 14, 2021]. Available from internet, URL:<<https://www.amazon.com/WOODBRIDGE-Whirlpool-Freestanding-B-0030-BTS1606/dp/B0792PD6TY>> (Year: 2018).*

* cited by examiner

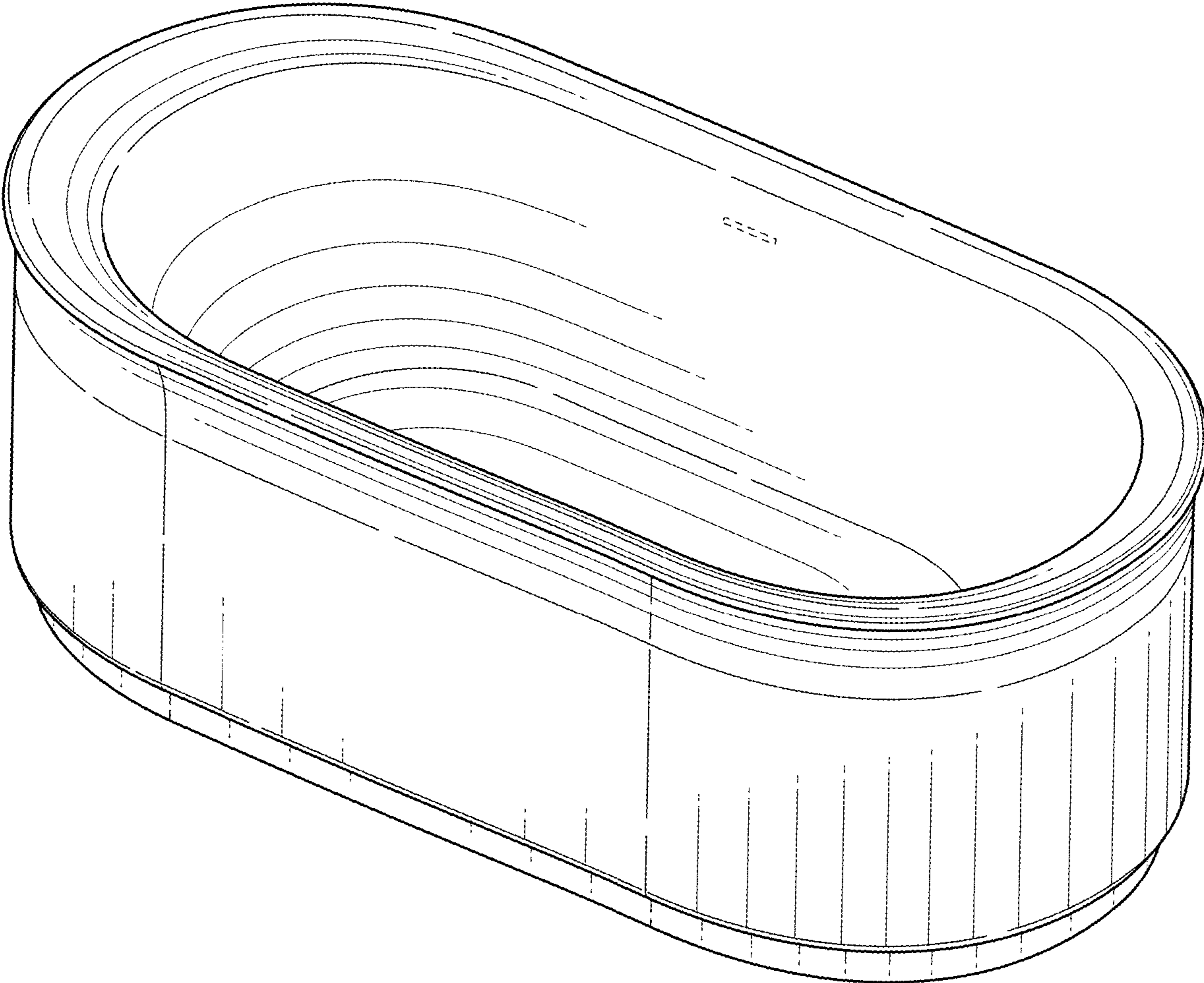


FIG. 1

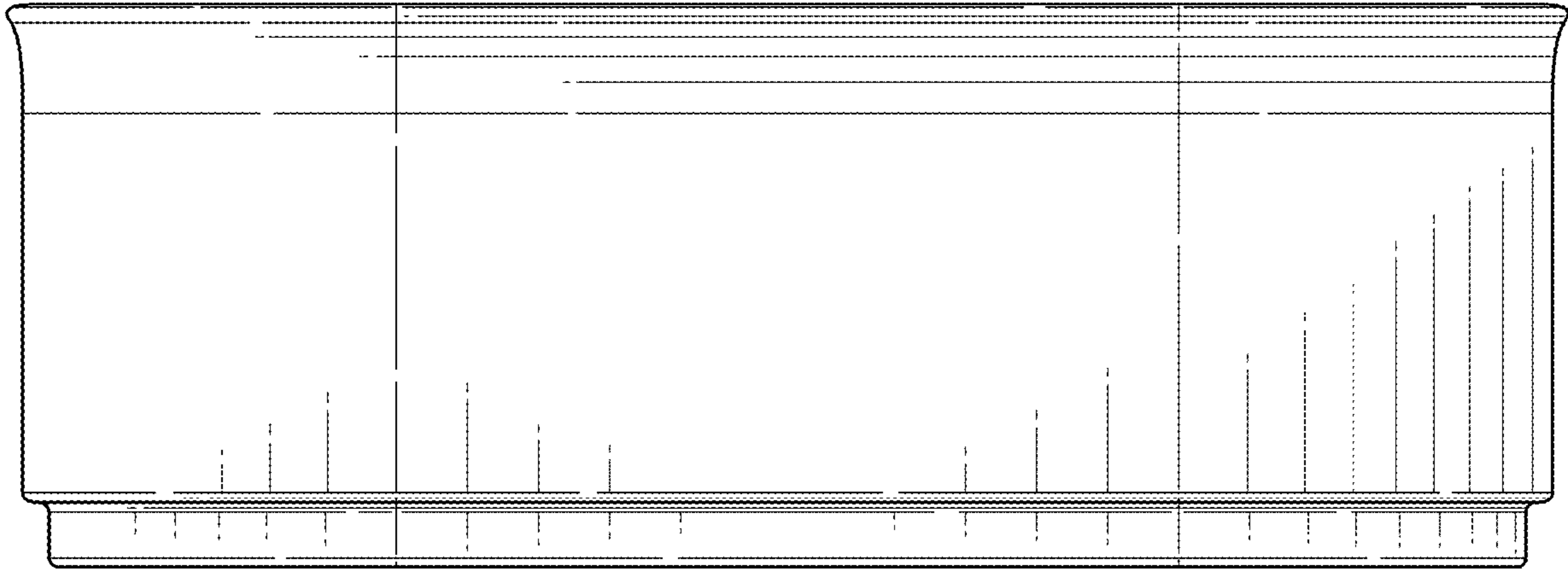


FIG. 2

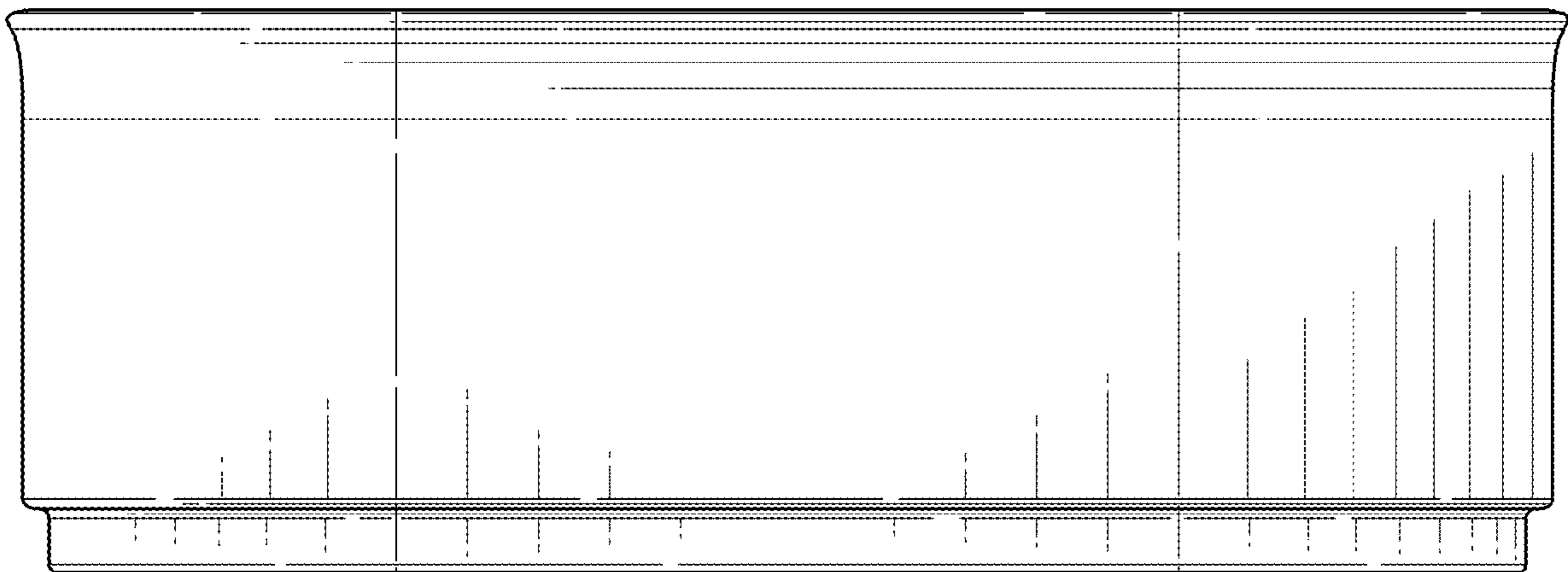


FIG. 3

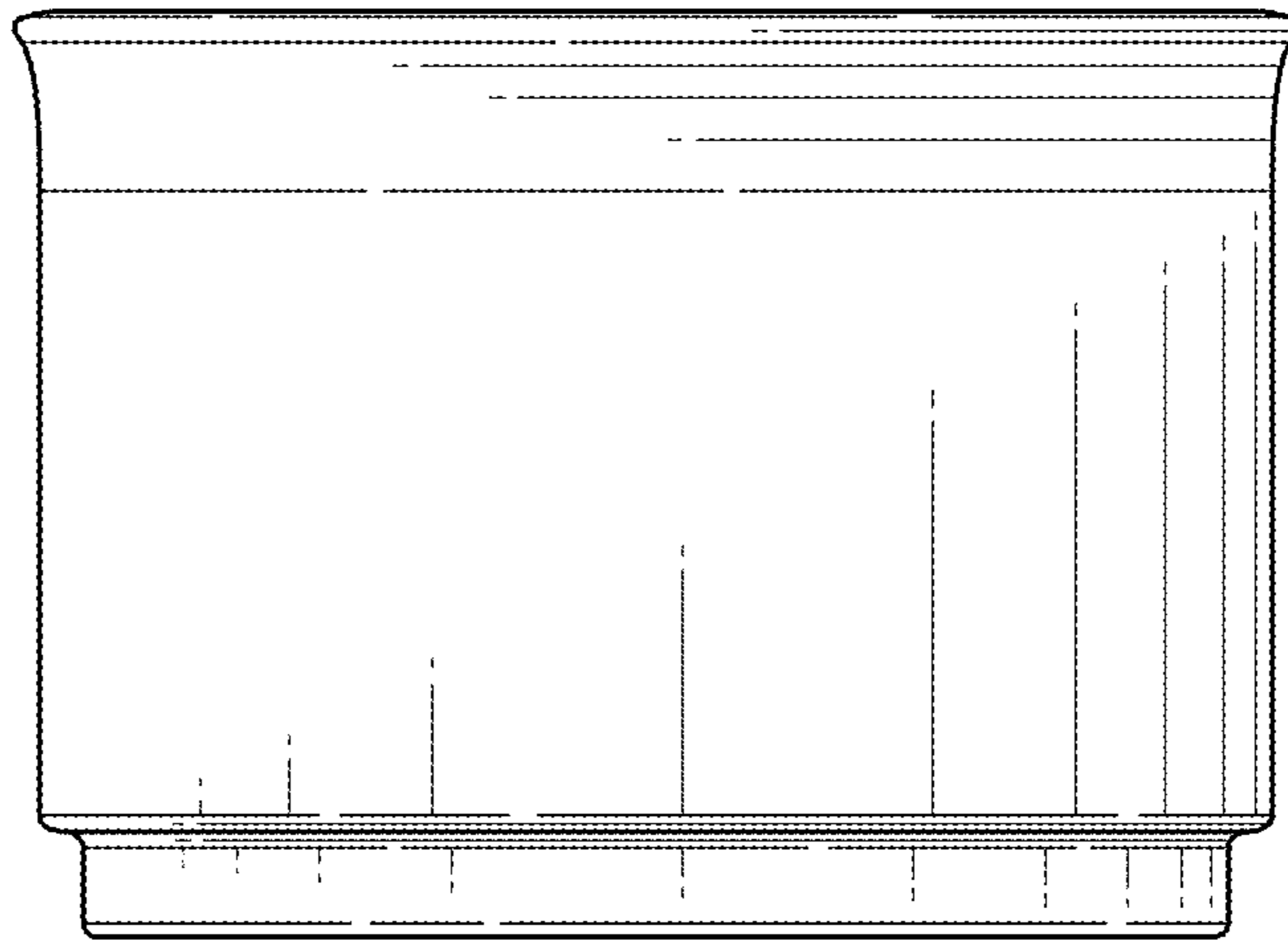


FIG. 4

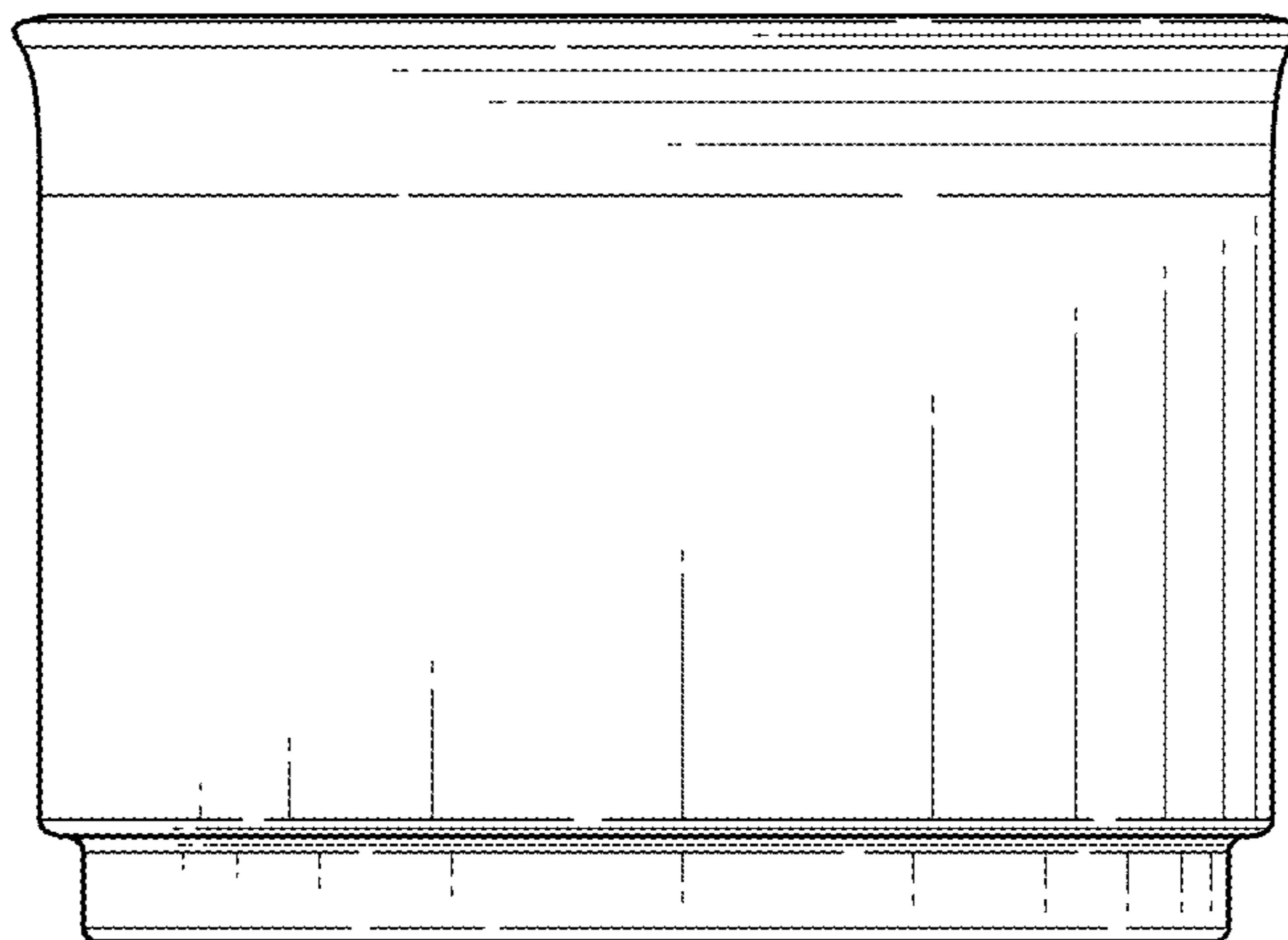


FIG. 5

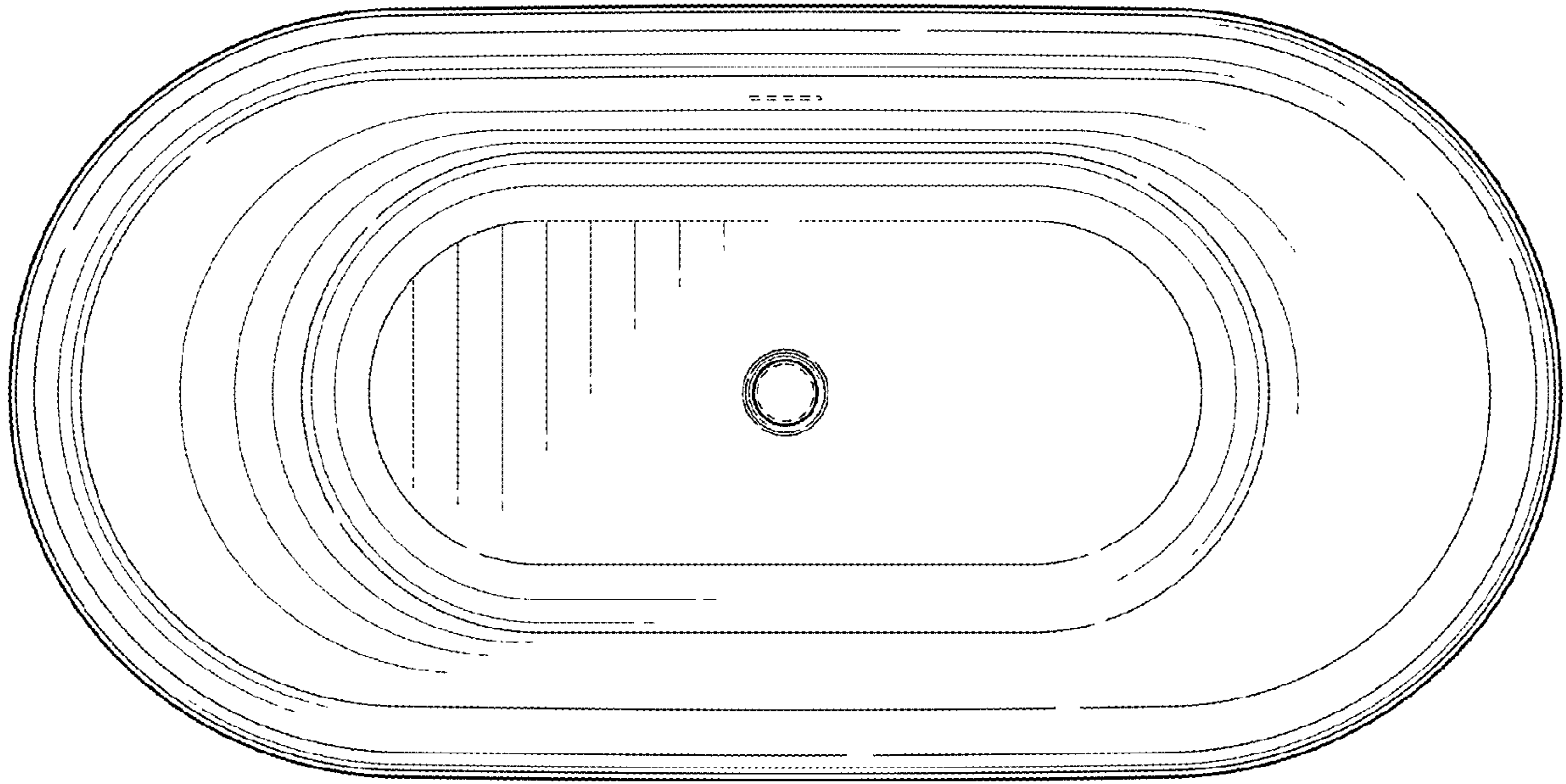


FIG. 6

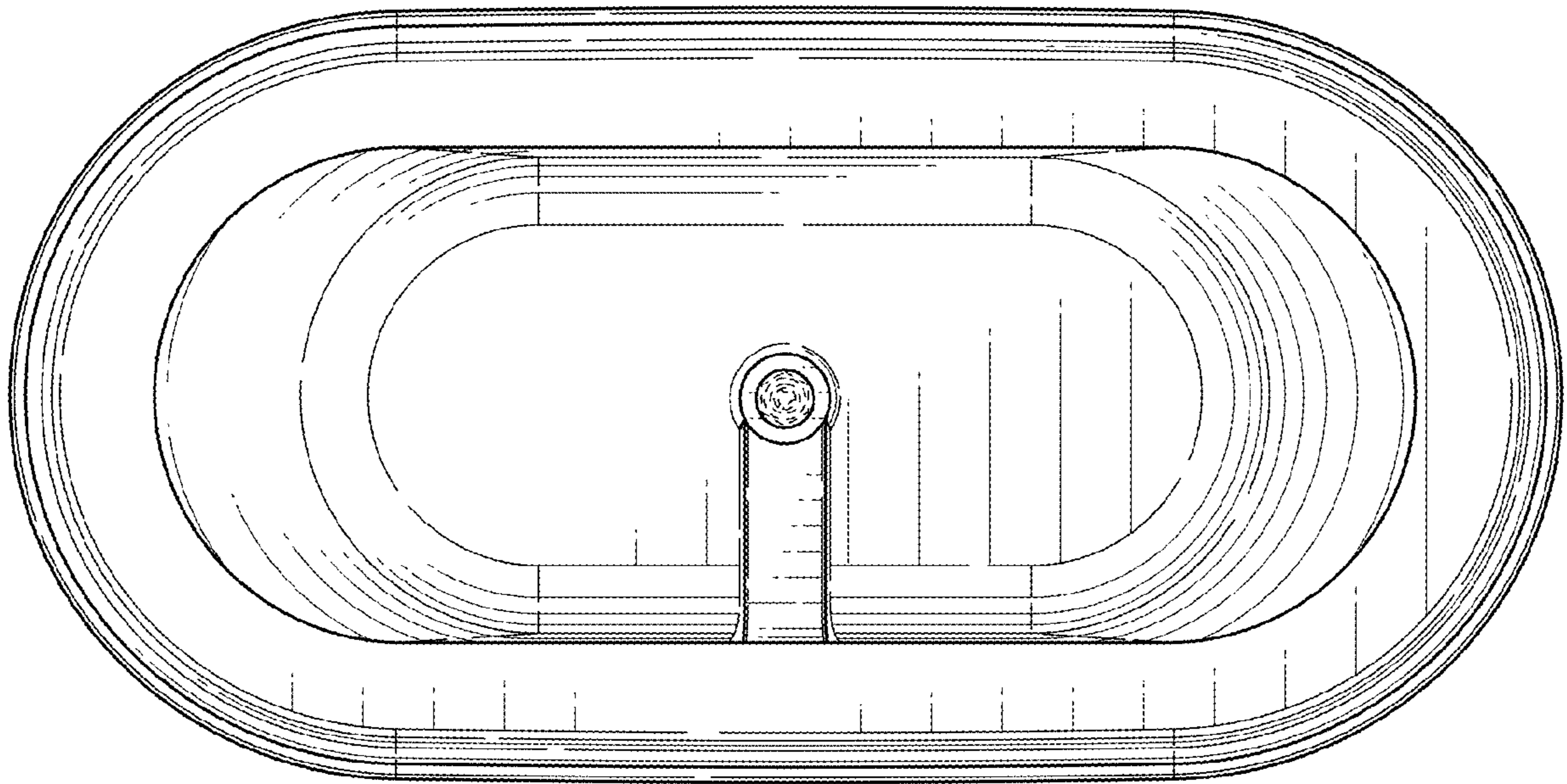


FIG. 7

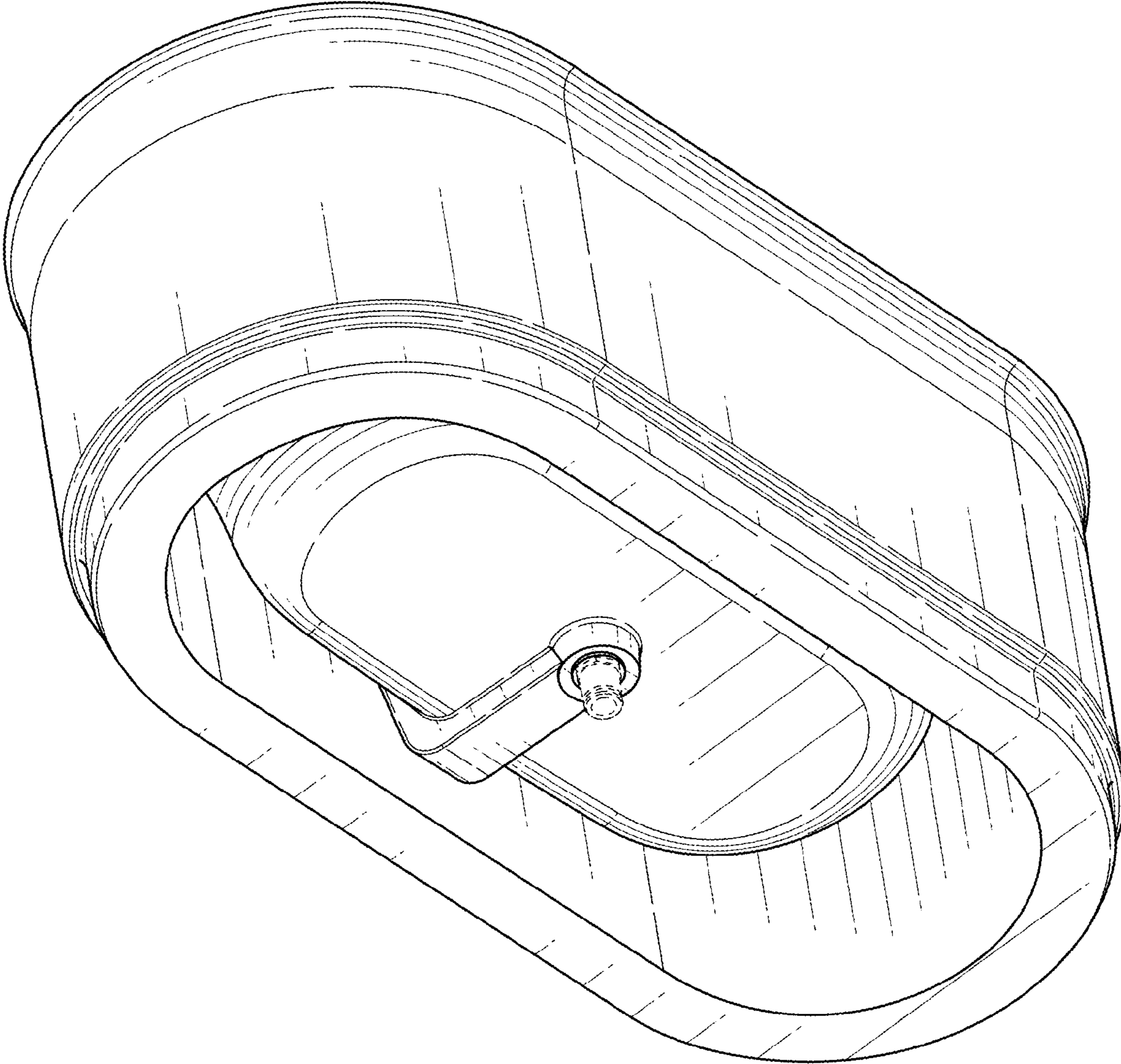


FIG. 8