



US00D943065S

(12) **United States Design Patent** (10) **Patent No.:** **US D943,065 S**  
**Fritz** (45) **Date of Patent:** **\*\* Feb. 8, 2022**

(54) **FAUCET HANDLE**  
(71) Applicant: **DELTA FAUCET COMPANY,**  
Indianapolis, IN (US)  
(72) Inventor: **Seth Fritz,** Carmel, IN (US)  
(73) Assignee: **DELTA FAUCET COMPANY,**  
Indianapolis, IN (US)  
(\*\*) Term: **15 Years**  
(21) Appl. No.: **29/710,397**  
(22) Filed: **Oct. 23, 2019**  
(51) **LOC (13) Cl.** ..... **23-01**  
(52) **U.S. Cl.**  
USPC ..... **D23/253**  
(58) **Field of Classification Search**  
USPC ..... D23/238-243, 250, 252-254, 245, 249;  
D8/307-308  
See application file for complete search history.

(56) **References Cited**  
**U.S. PATENT DOCUMENTS**  
D541,908 S \* 5/2007 Haug ..... D23/253  
D713,015 S \* 9/2014 Schoenherr ..... D23/253  
**OTHER PUBLICATIONS**  
Danco Chrome Cross Shower Handle: [https://www.lowes.com/pd/Danco-Chrome-Cross-Shower-Handle/3435198?cm\\_mmc=shp\\_-](https://www.lowes.com/pd/Danco-Chrome-Cross-Shower-Handle/3435198?cm_mmc=shp_-)

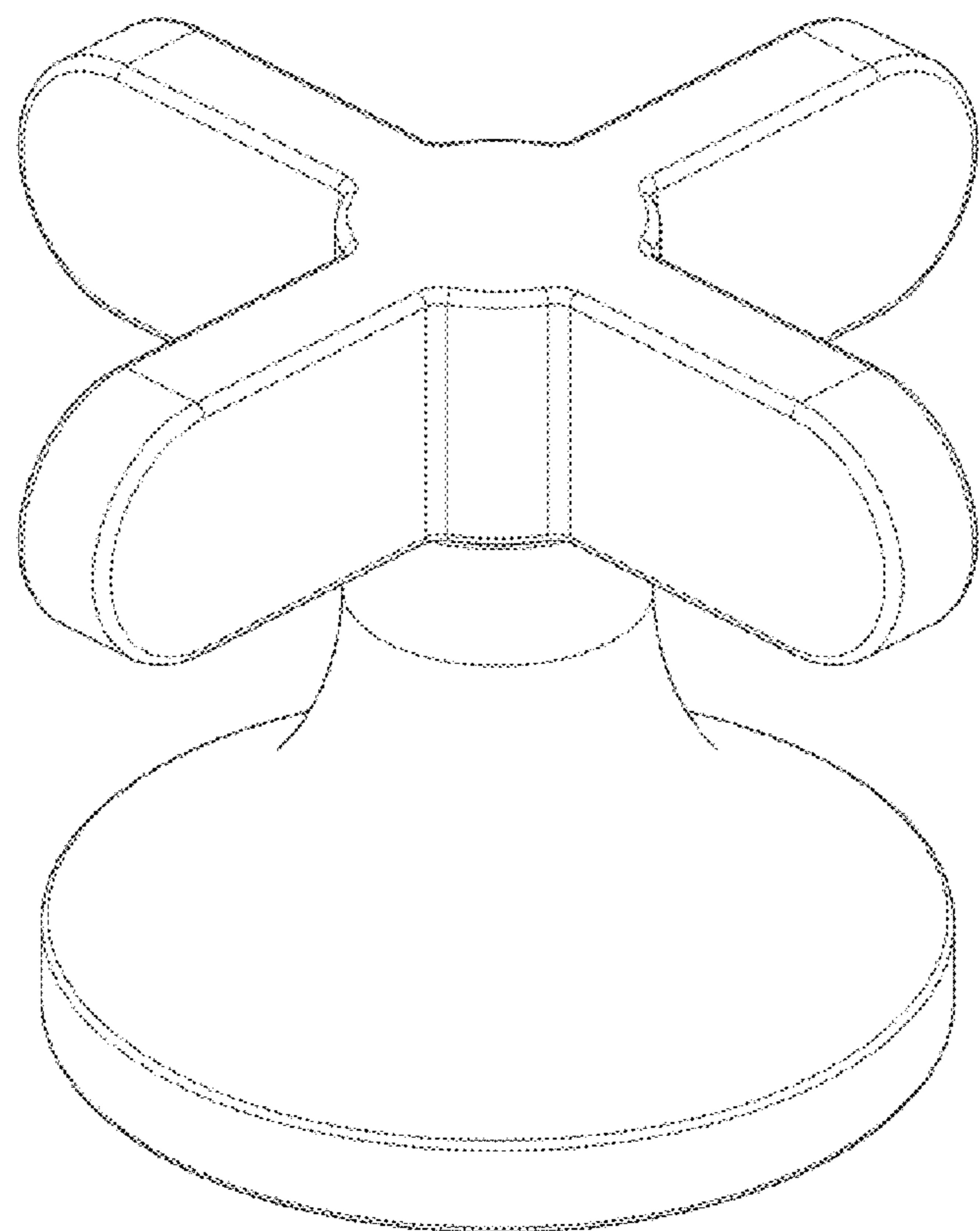
c-\_-prd-\_-plb-\_-ggl-\_-LIA\_PLB\_208\_Plumbing-Repair-\_-3435198-\_-0\_-0-\_-0&ds\_rl=1286981&gclid=EAAlQobChMlraauqYuV8wIVVCs4Ch3PUA4-EAQYEiABEgLMvD\_BwE&gclsrc=aw.ds (Year: 2021).\*

\* cited by examiner  
*Primary Examiner* — Robert A Delehanty  
(74) *Attorney, Agent, or Firm* — Nirav D. Parikh; Edgar A. Zarins

(57) **CLAIM**  
The ornamental design for a faucet handle, as shown and described.

**DESCRIPTION**  
FIG. 1 is a front perspective view of a faucet handle showing my new design;  
FIG. 2 is a rear perspective view thereof;  
FIG. 3 is a front elevational view thereof;  
FIG. 4 is a left side view thereof;  
FIG. 5 is a rear view thereof;  
FIG. 6 is a right side view thereof;  
FIG. 7 is a top plan view thereof; and,  
FIG. 8 is a bottom view thereof.

**1 Claim, 4 Drawing Sheets**



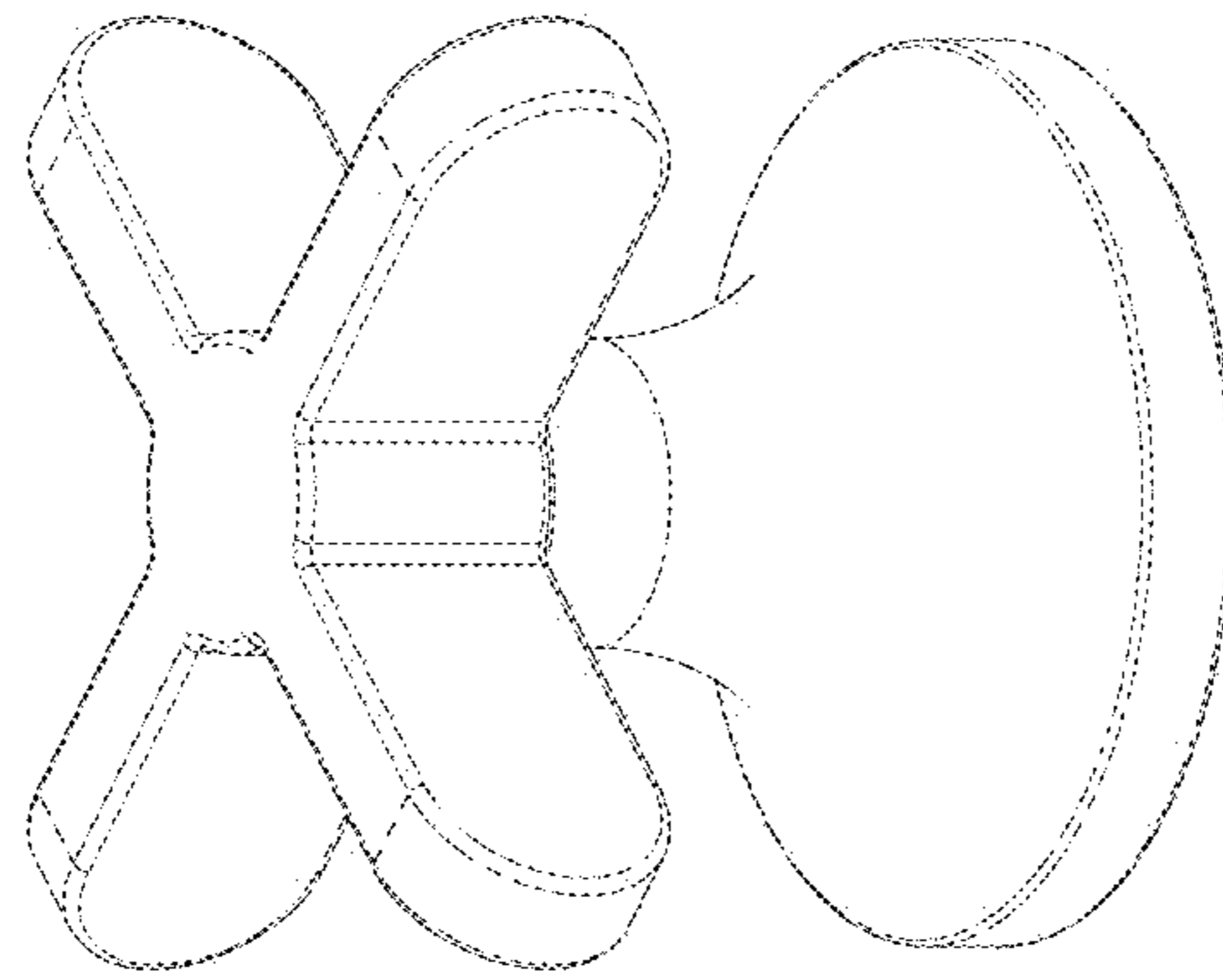


FIG - 2

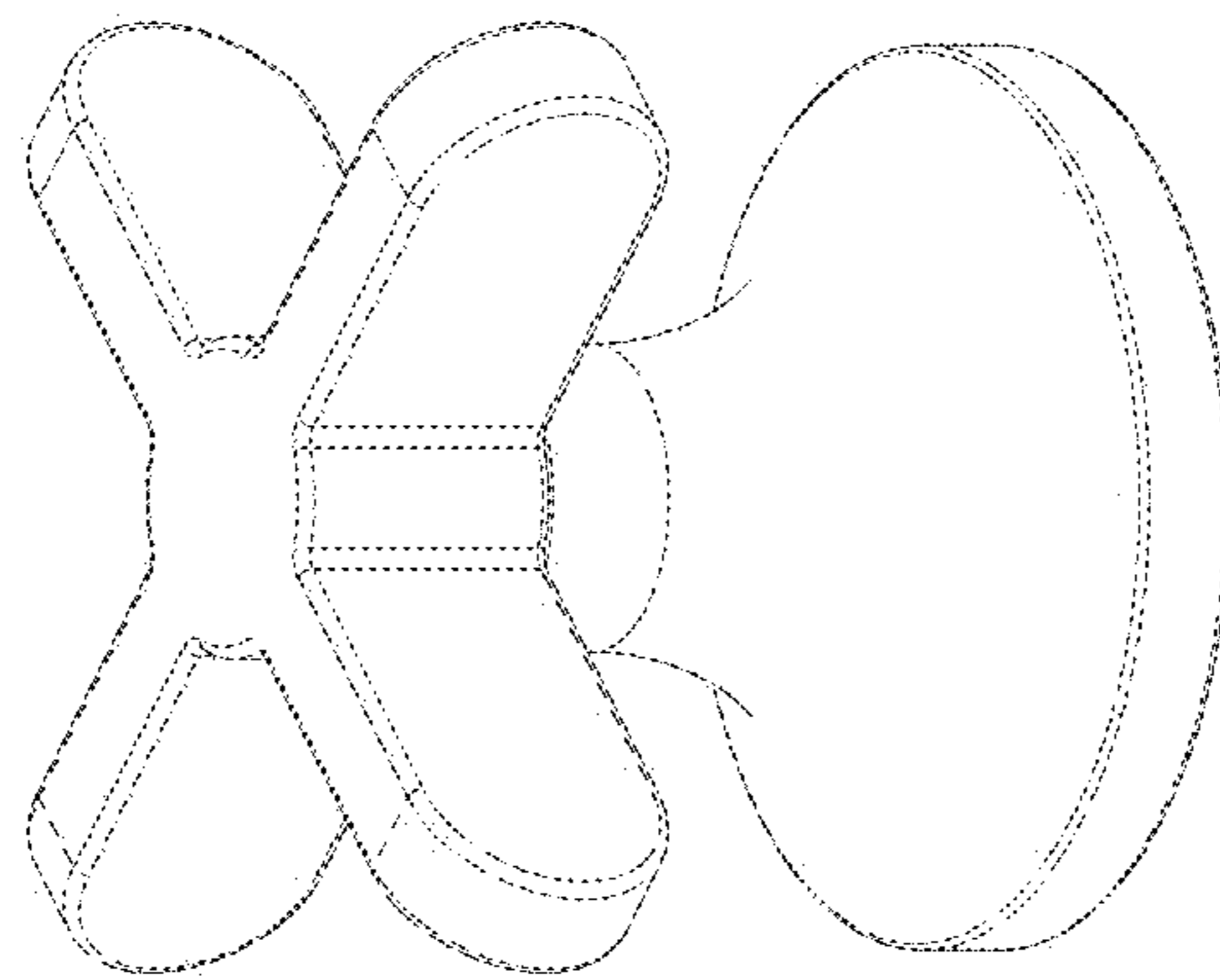


FIG - 1

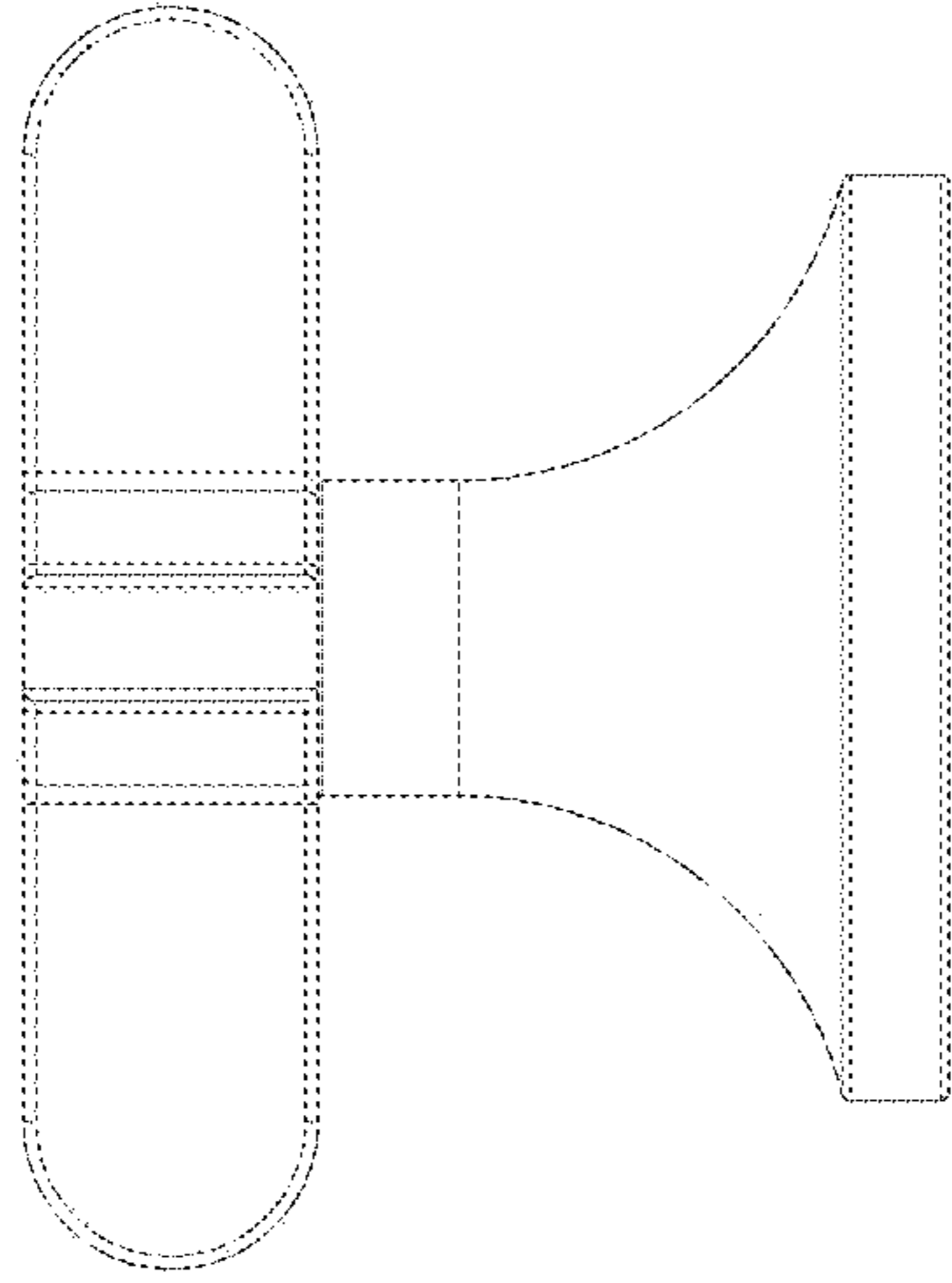


FIG - 3

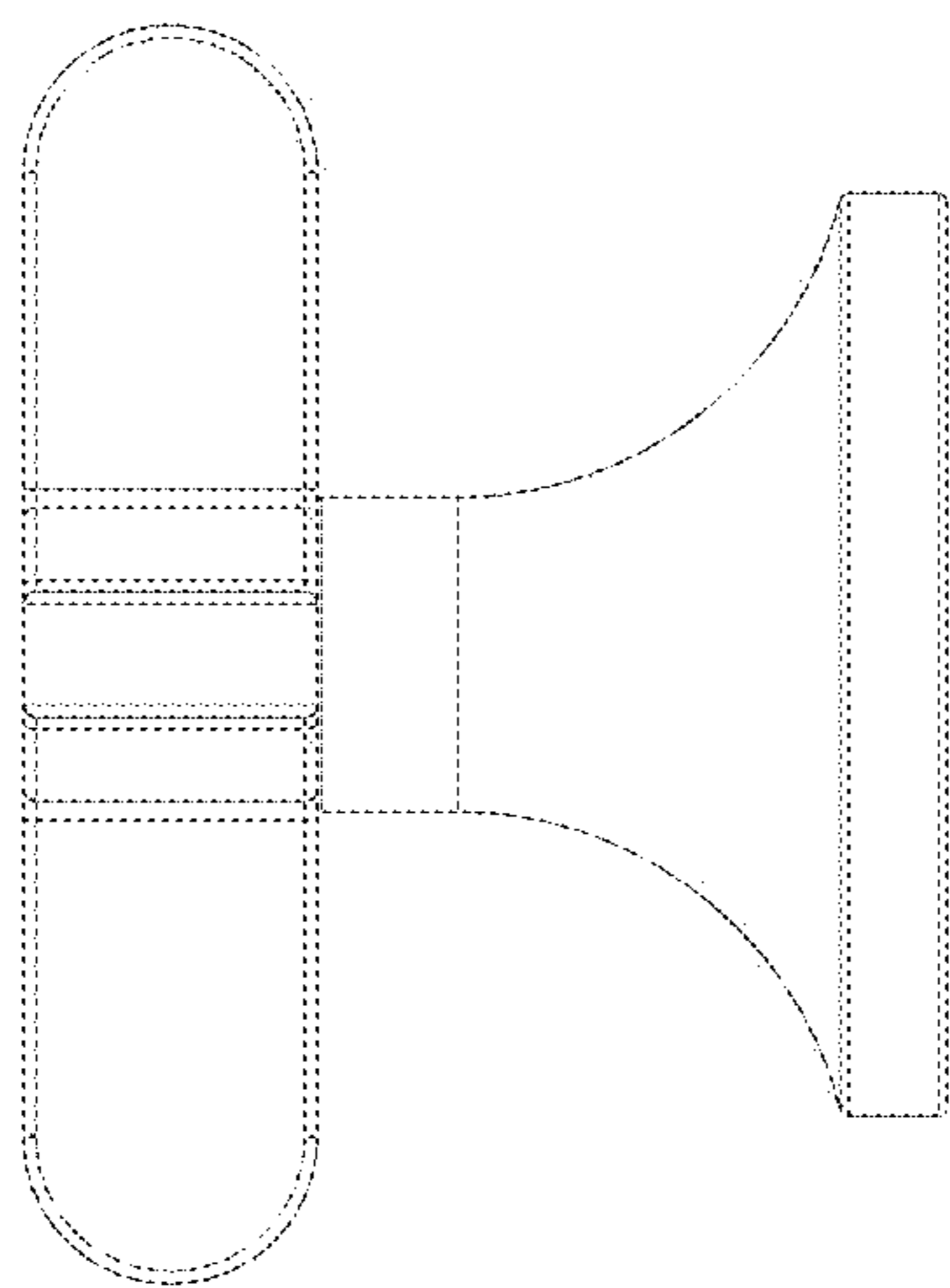


FIG - 4

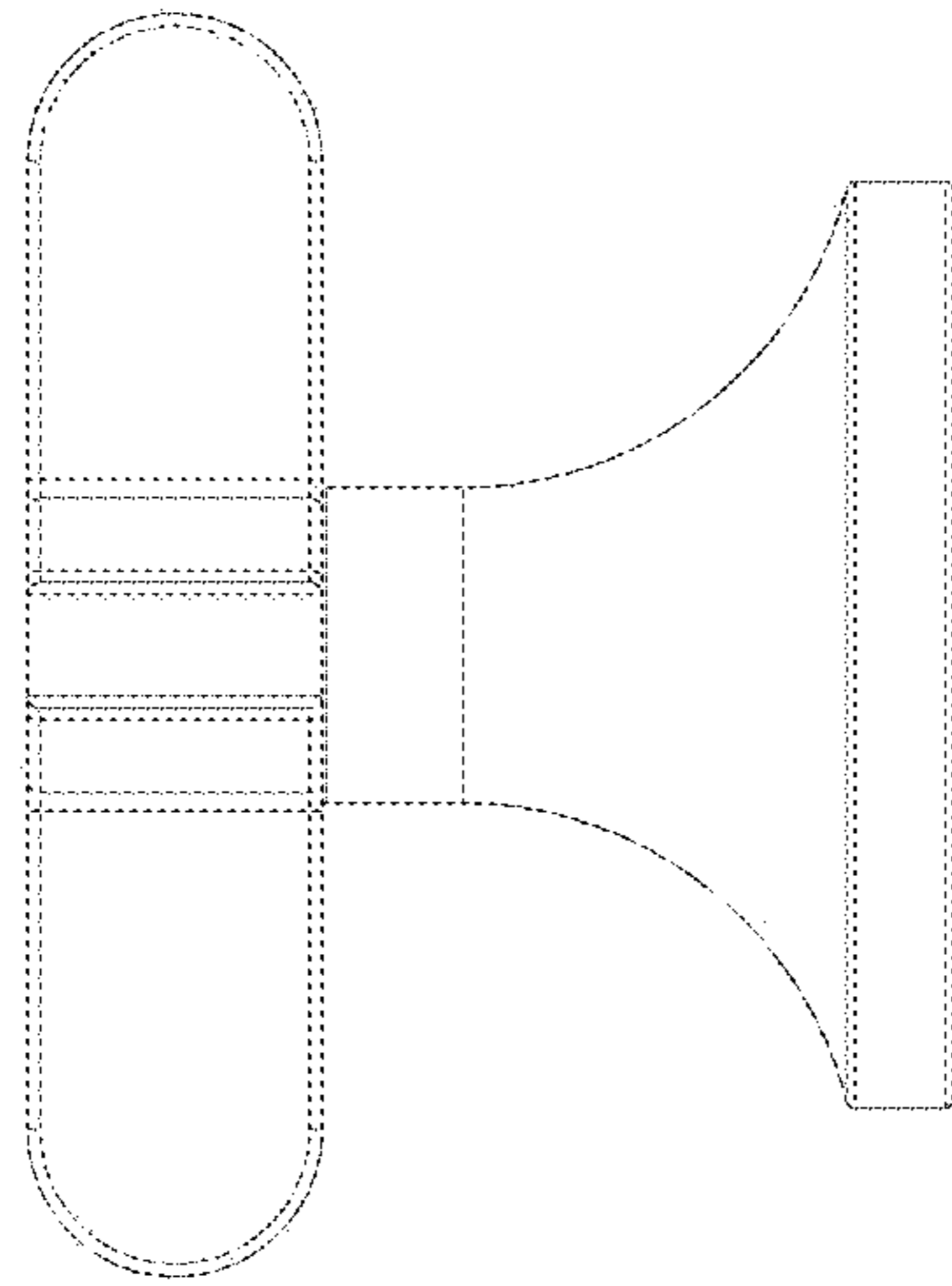


FIG. 5

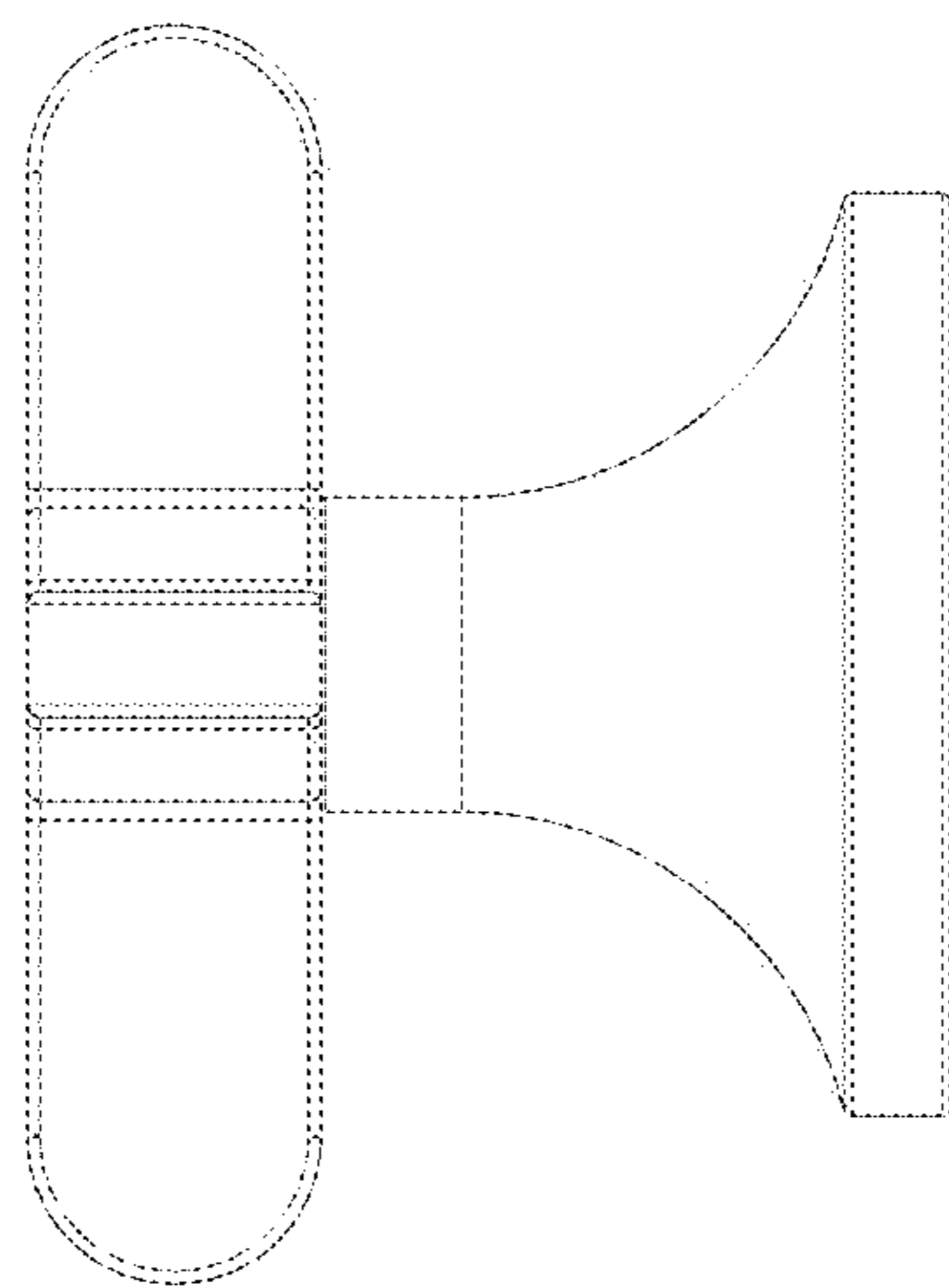


FIG. 6

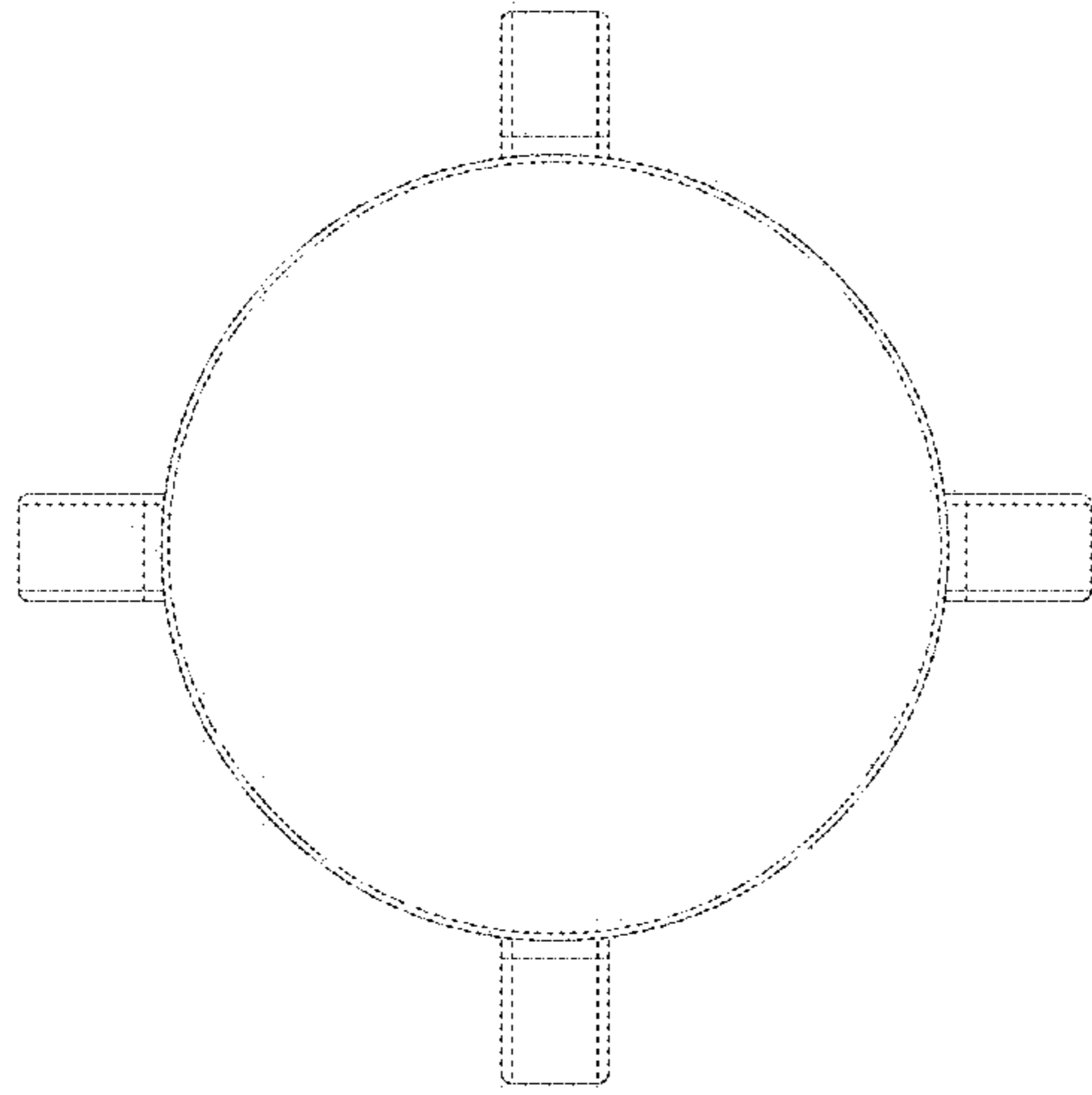


FIG - 8

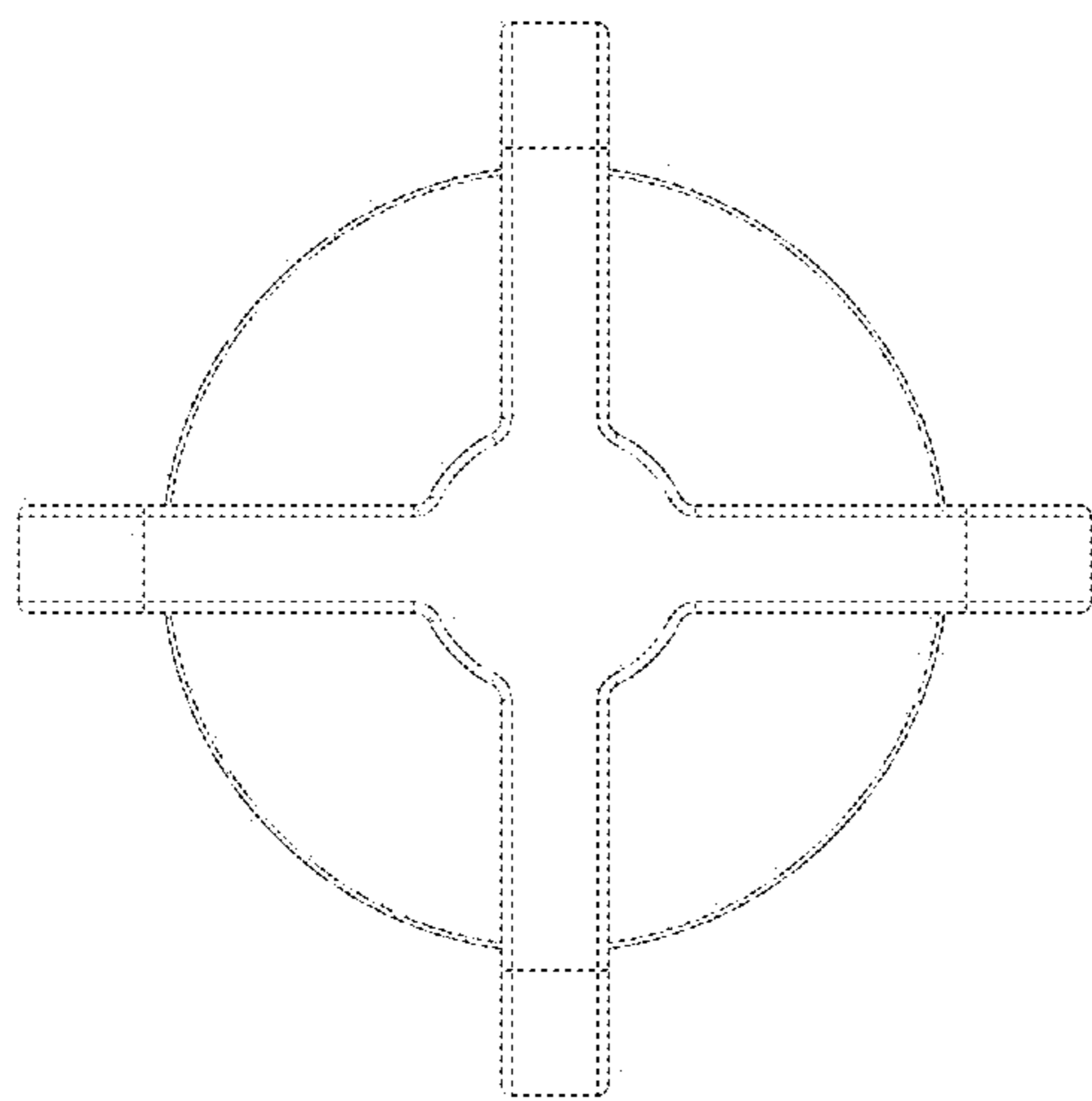


FIG - 7