



US00D943060S

(12) **United States Design Patent** (10) **Patent No.:** **US D943,060 S**  
**Fan** (45) **Date of Patent:** **\*\* Feb. 8, 2022**

(54) **SHOWERHEAD WITH HOLDER**

OTHER PUBLICATIONS

(71) Applicant: **Fujian Onlytop Sanitaryware Co., Ltd.**, Zhangzhou (CN)

POP Dual Shower Head Combo, Oct. 29, 2020, amazon.com, Nov. 5, 2021, URL: <https://www.amazon.com/dp/B08M61N3XB> (Year: 2020).\*

(72) Inventor: **Kunjing Fan**, Zhangzhou (CN)

Waterpik High Pressure Shower Head, Aug. 9, 2018, amazon.com, Nov. 5, 2021, URL: <https://www.amazon.com/Waterpik-XET-633-643-Pressure-PowerPulse-Combination/dp/B07GBN8NCK/> (Year: 2018).\*

(\*\*) Term: **15 Years**

AquaStar Elite 3-in-1 High-Pressure 48-mode Spa Shower, Nov. 20, 2017, amazon.com, URL: <https://www.amazon.com/AquaStar-High-Pressure-Antimicrobial-Anti-Clog-Extra-Long/dp/B0776ZZJC8/> (Year: 2017).\*

(21) Appl. No.: **29/759,540**

(22) Filed: **Nov. 24, 2020**

(30) **Foreign Application Priority Data**

\* cited by examiner

Sep. 18, 2020 (CN) ..... 202030559230.8

(51) **LOC (13) Cl.** ..... **23-01**

*Primary Examiner* — Jack Reickel

(52) **U.S. Cl.**  
USPC ..... **D23/213**

*Assistant Examiner* — Keith J Wilson

(58) **Field of Classification Search**  
USPC ..... D23/213, 214, 215, 222, 223, 224, 226,  
D23/229, 230

(74) *Attorney, Agent, or Firm* — W&KIP

CPC ..... A61H 9/0021; A61H 33/00; B05B 1/00;  
B05B 1/14; B05B 1/185; B05B 1/08;  
B05B 1/02; B05B 1/26; B05B 12/002;  
B05B 1/18; B05B 9/01

(57) **CLAIM**

See application file for complete search history.

The ornamental design for a showerhead with holder, as shown and described.

**DESCRIPTION**

(56) **References Cited**

FIG. 1 is a perspective view of a showerhead with holder; FIG. 2 is a front elevational view thereof; FIG. 3 is a rear elevational view thereof; FIG. 4 is a left elevational view thereof; FIG. 5 is a right elevational view thereof; FIG. 6 is a top plan view thereof; FIG. 7 is a bottom plan view thereof; FIG. 8 is another perspective view thereof; and, FIG. 9 is an enlarged view of portion of FIG. 1. The broken lines shown in the figures are included for the purpose of illustrating portions of the showerhead with holder and form no part of the claimed design.

U.S. PATENT DOCUMENTS

D629,867 S *	12/2010	Rexach	.....	D23/213
D638,515 S *	5/2011	Farley	.....	D23/209
D666,010 S *	8/2012	Farley	.....	D6/309
D667,081 S *	9/2012	Yoo	.....	D23/229
D698,896 S *	2/2014	Tsai	.....	D23/213
D898,867 S *	10/2020	Yan	.....	D23/223
D904,561 S *	12/2020	Zhu	.....	D23/213
2012/0031511 A1 *	2/2012	Farley	.....	E03C 1/0408 137/544

**1 Claim, 9 Drawing Sheets**

FIG. 9

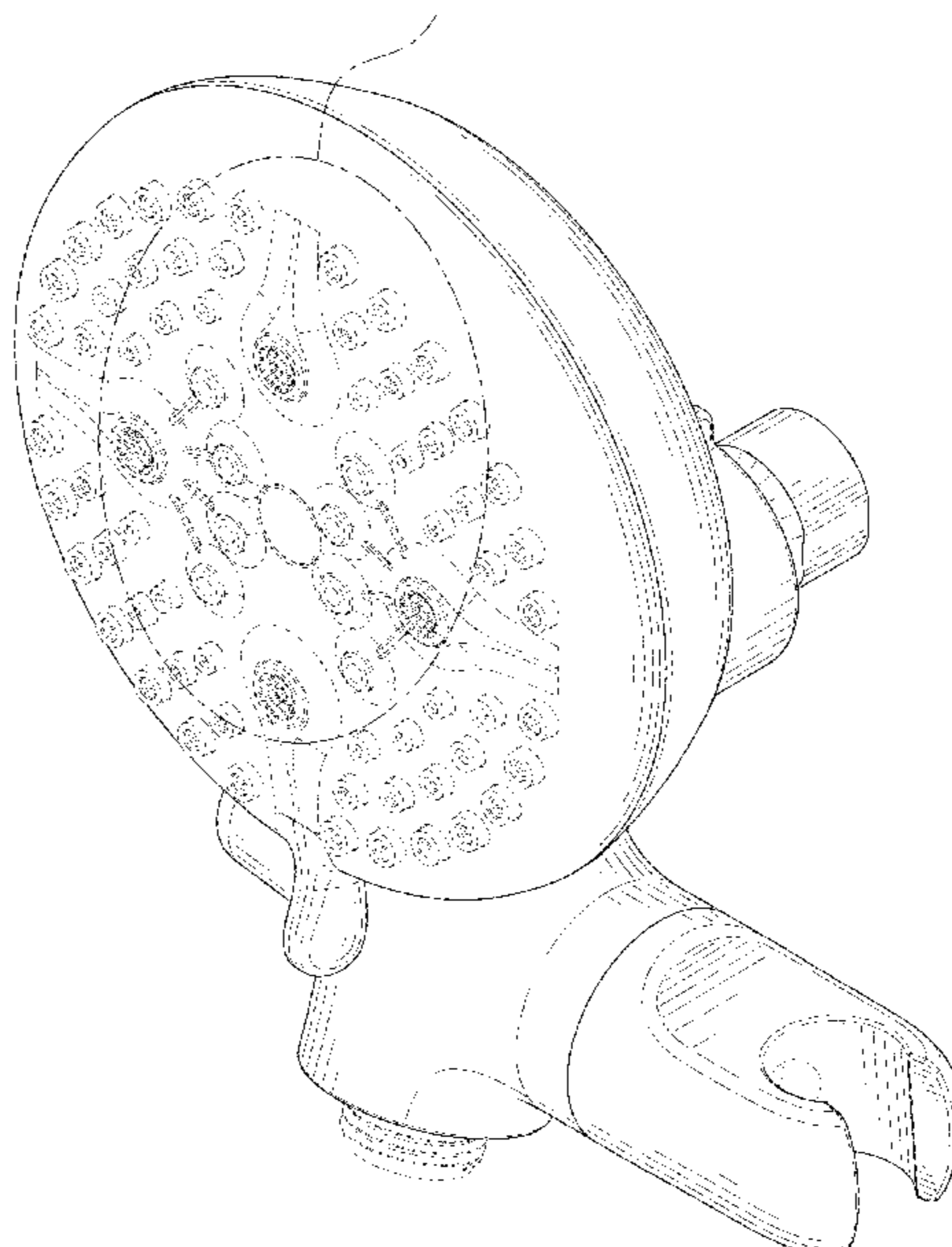


FIG. 9

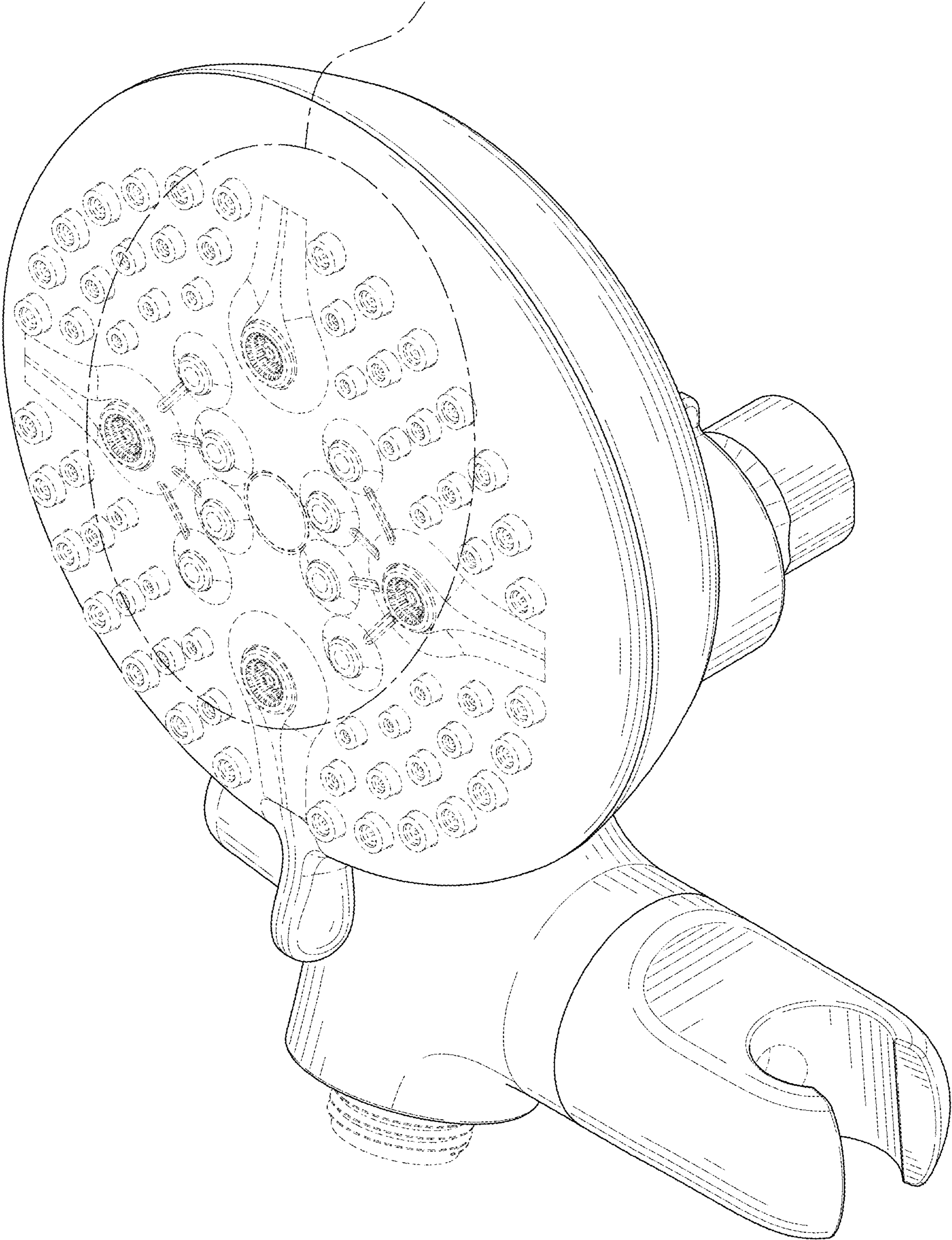


FIG. 1



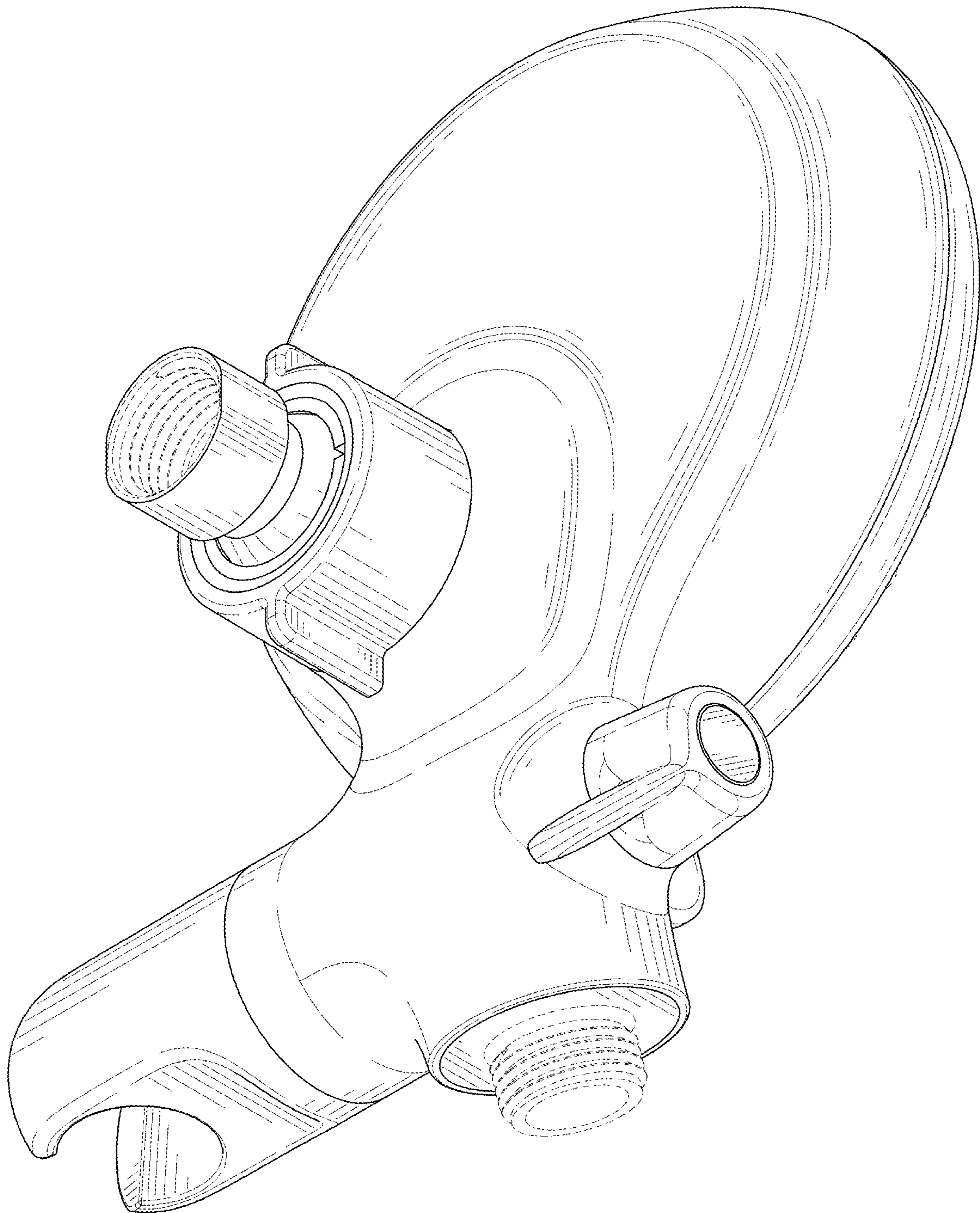


FIG. 2

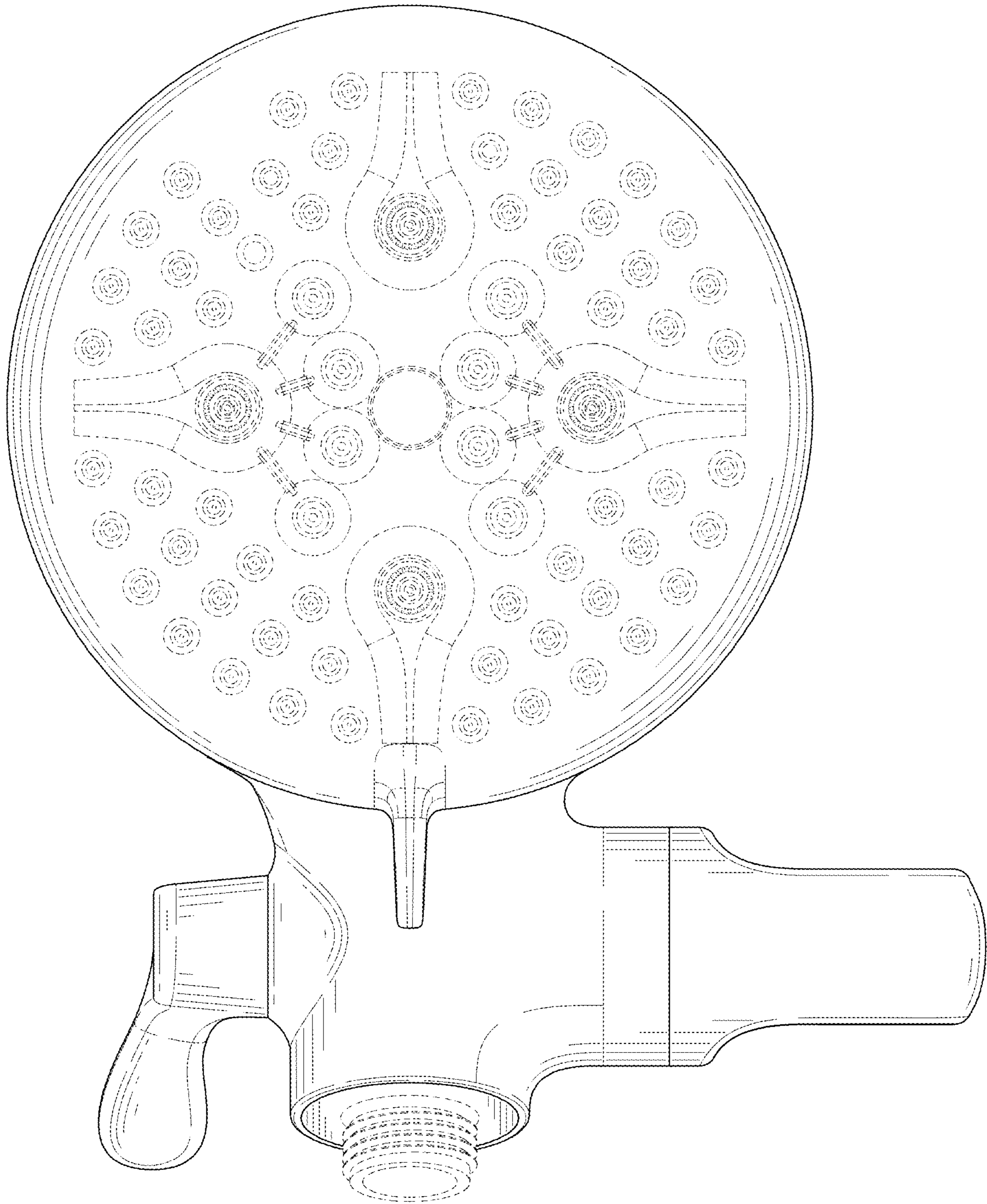


FIG. 3

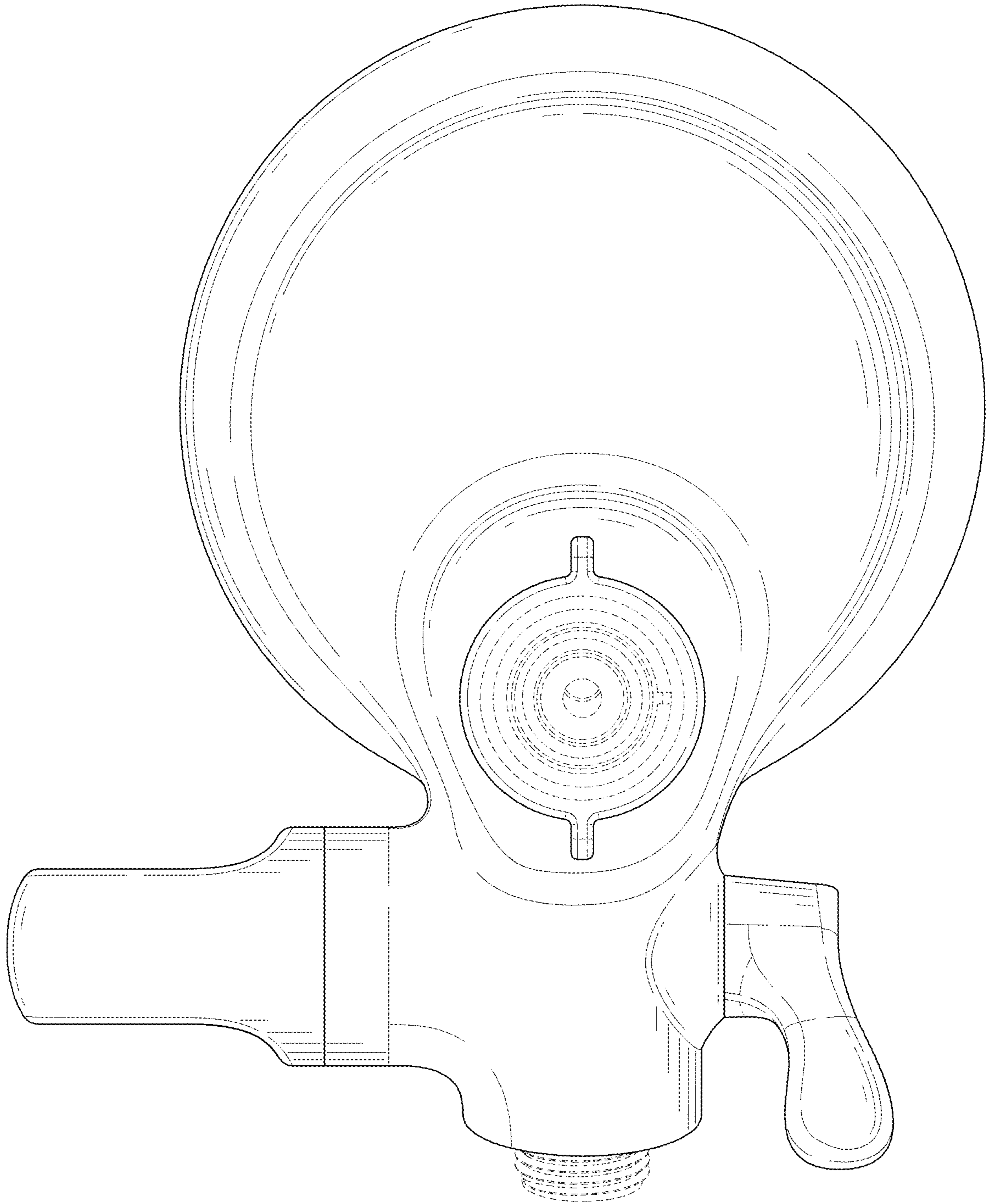


FIG. 4

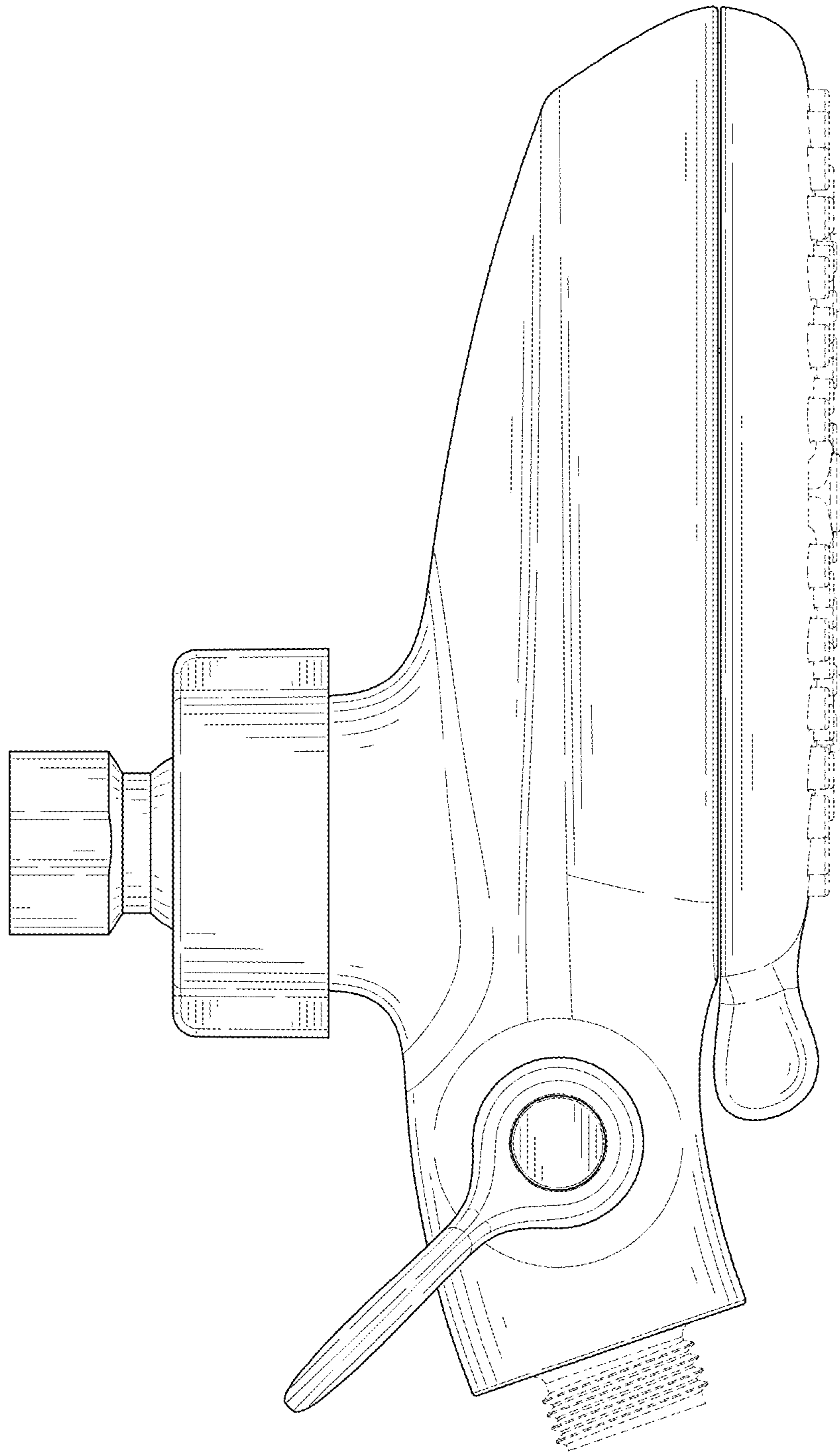


FIG. 5



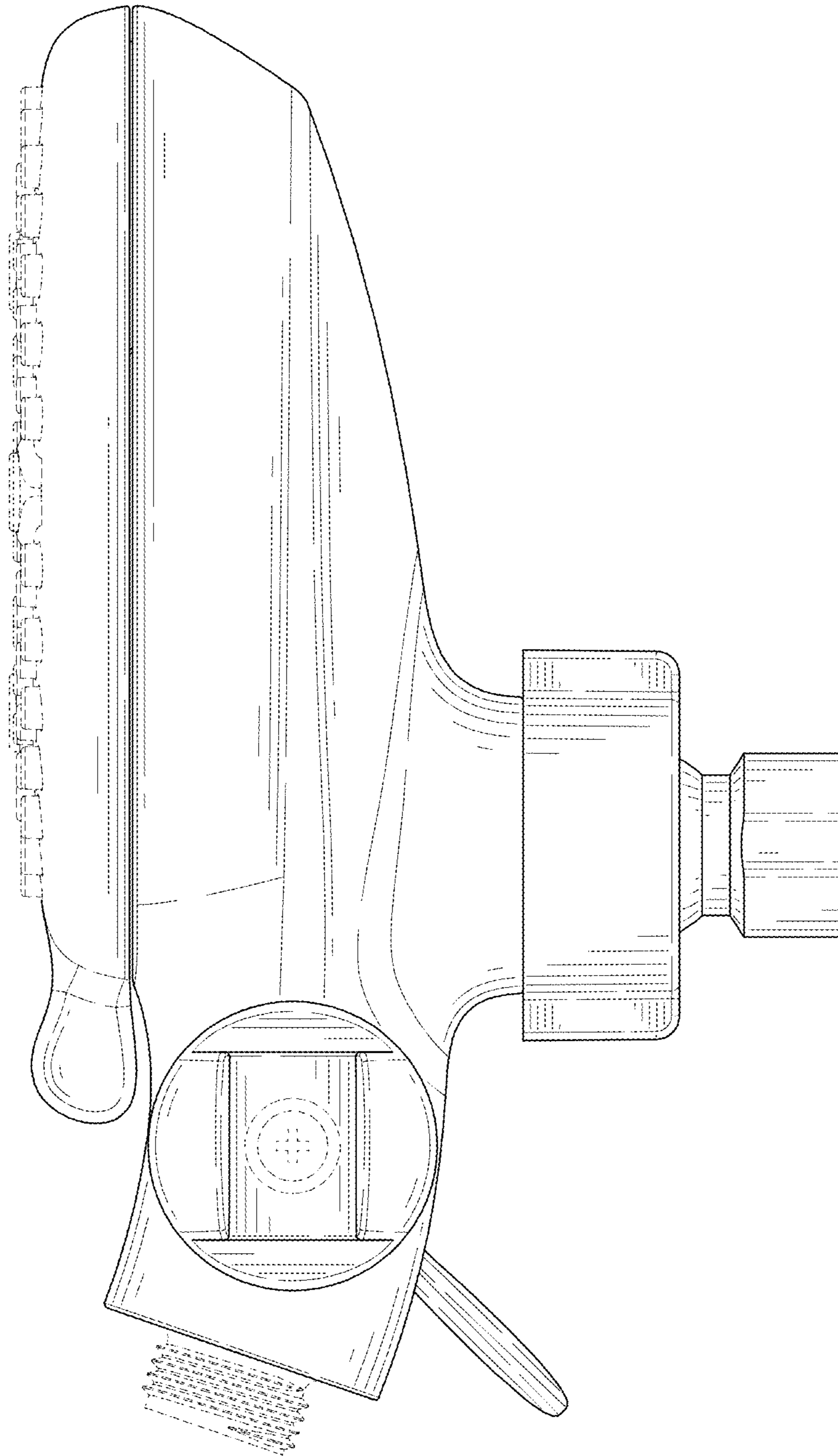


FIG. 6

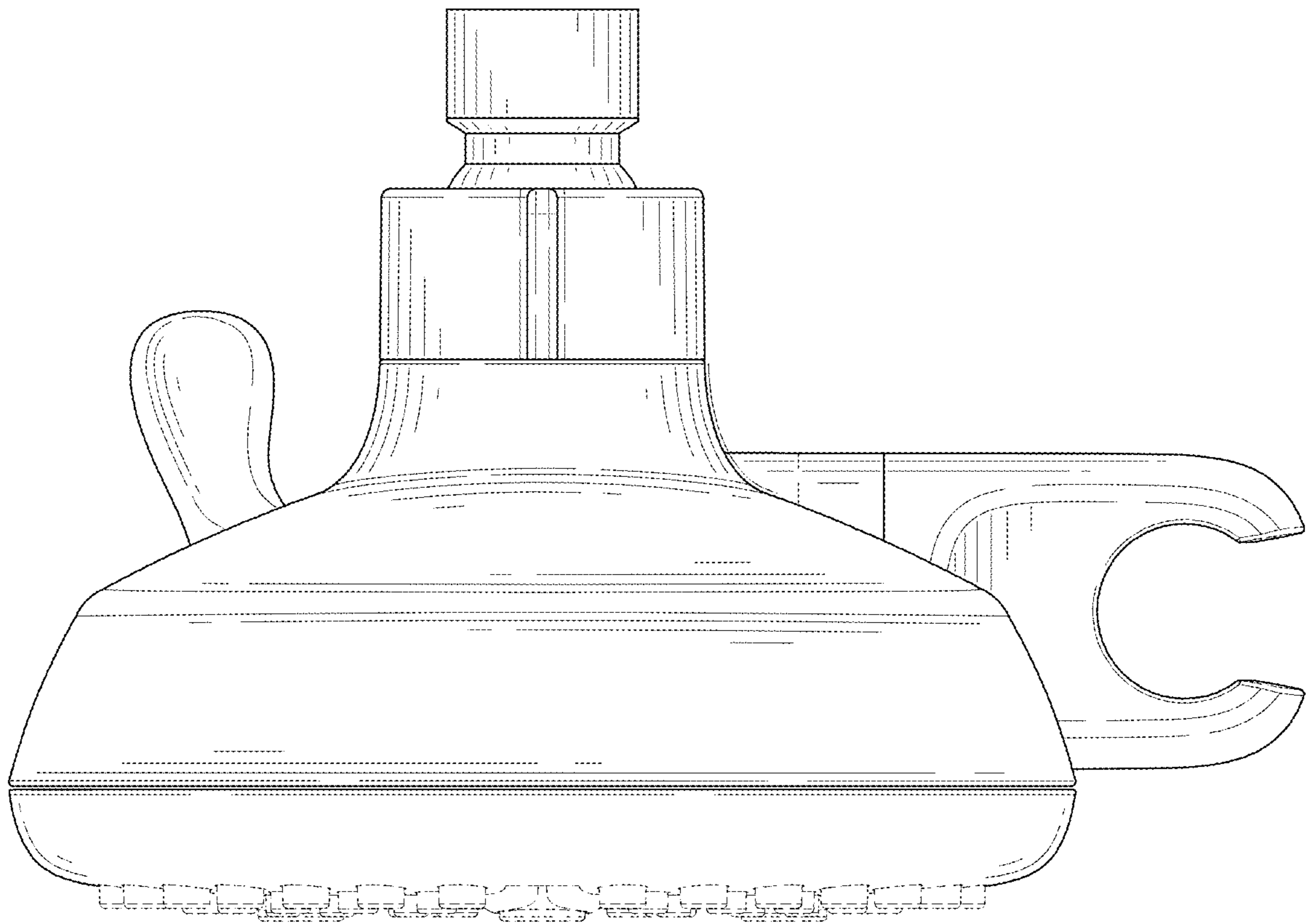


FIG. 7



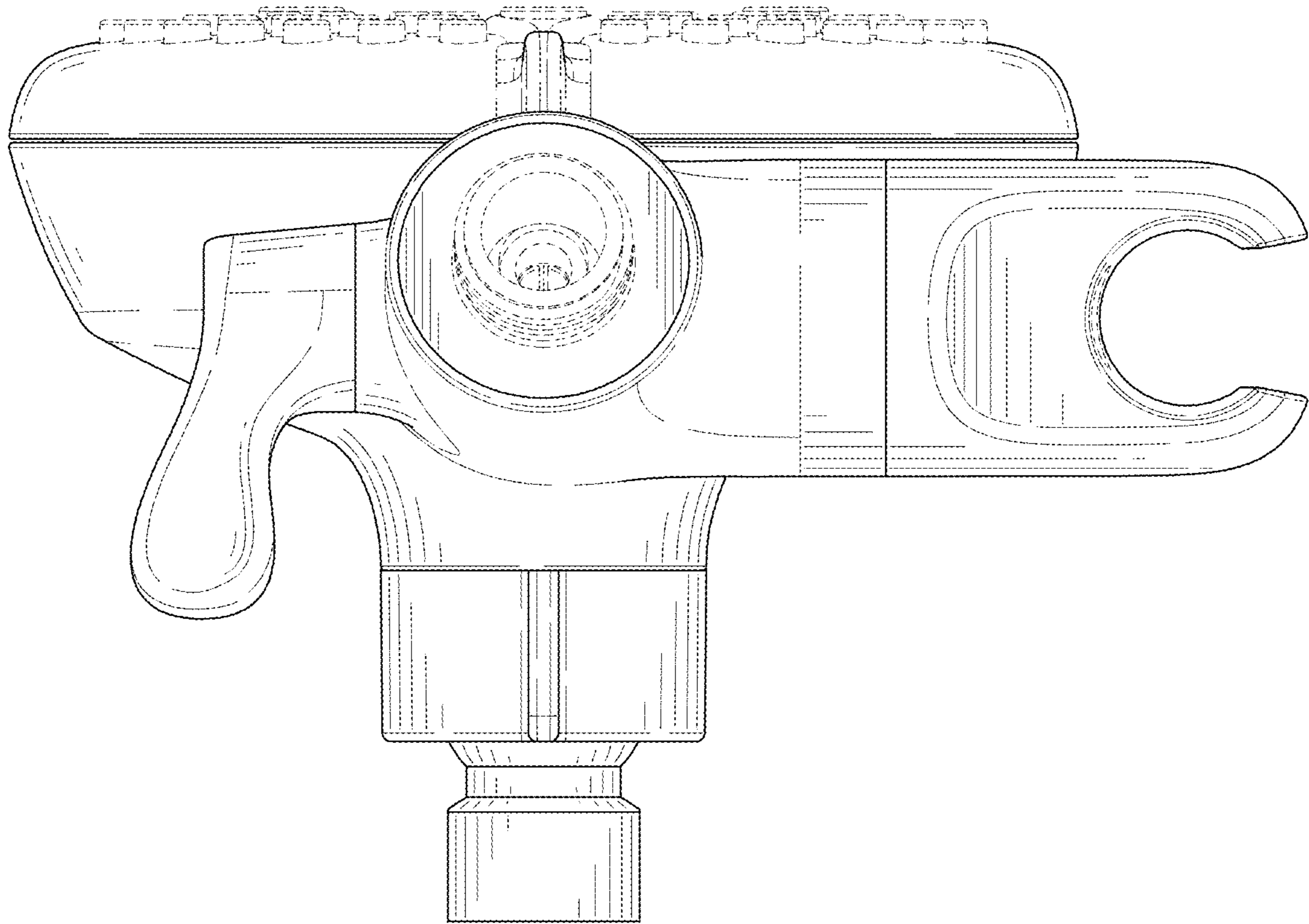


FIG. 8

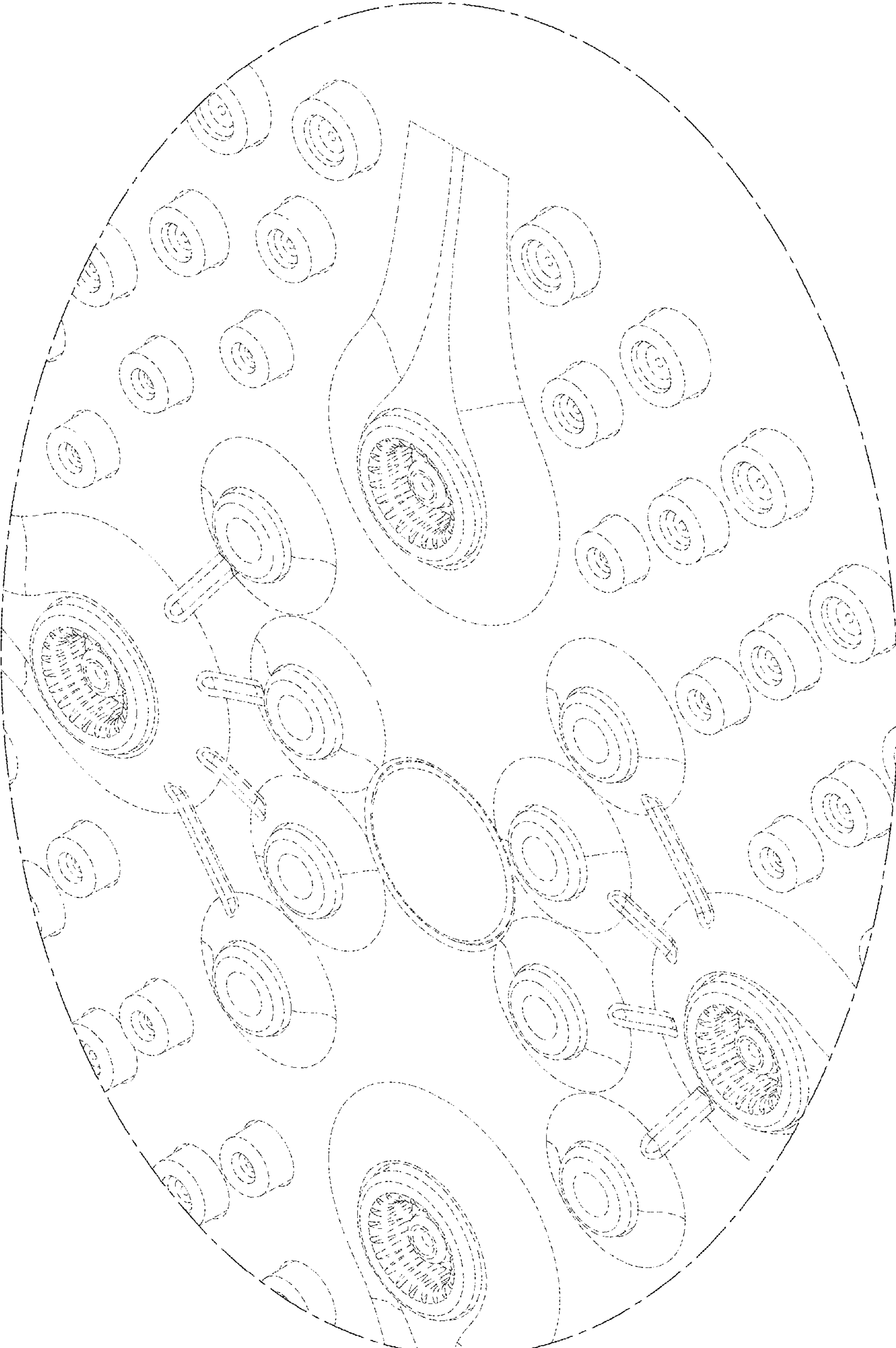


FIG. 9