



US00D943059S

(12) **United States Design Patent**
Pierce et al.

(10) **Patent No.:** **US D943,059 S**

(45) **Date of Patent:** **** Feb. 8, 2022**

(54) **INJECTION LANCE ATTACHMENT**

(71) Applicant: **MPW INDUSTRIAL SERVICES GROUP, INC.**, Hebron, OH (US)

(72) Inventors: **Justin James Pierce**, Granville, OH (US); **Neil Andrew DeWitt**, Granville, OH (US); **Garrett J. Petty**, Columbus, OH (US)

(73) Assignee: **MPW INDUSTRIAL SERVICES GROUP, INC.**, Hebron, OH (US)

(**) Term: **15 Years**

(21) Appl. No.: **29/730,615**

(22) Filed: **Apr. 7, 2020**

(51) **LOC (13) Cl.** **23-01**

(52) **U.S. Cl.**
USPC **D23/213**

(58) **Field of Classification Search**
USPC D23/213, 233, 235-237, 241-249, 262, D23/206; D15/21, 28
CPC B01F 5/0461; B01F 13/04; B01F 2015/00084; F04D 13/00; F16L 11/20; F16L 33/18; F16L 39/005; F16K 1/306; F16K 1/307; F16K 1/303; F16K 1/304; F16K 1/52; F16K 15/035

See application file for complete search history.

(56) **References Cited**

U.S. PATENT DOCUMENTS

D312,464 S *	11/1990	Peterson	D15/11
D326,503 S *	5/1992	Ipsen	D23/233
D349,120 S *	7/1994	Landsberg	D15/21
D353,823 S *	12/1994	Showalter	D15/139
D362,448 S *	9/1995	Landsberg	D15/21
D408,830 S *	4/1999	Nathenson	D15/21
D420,025 S *	2/2000	Gabriele	D15/146
D481,102 S *	10/2003	Marshik	D23/213
D504,492 S *	4/2005	Yeager	D23/213

D504,936 S *	5/2005	Yeager	D23/213
D520,106 S *	5/2006	Jones	D23/213
D520,107 S *	5/2006	Jones	D23/213
D535,721 S *	1/2007	Ford	D23/213
D565,697 S *	4/2008	Thiel	D23/213
D630,298 S *	1/2011	Henry	D23/213
D638,911 S *	5/2011	Laski	D23/213
D644,618 S *	9/2011	Morihira	D13/199
D647,073 S *	10/2011	Morihira	D13/199

(Continued)

Primary Examiner — Mark A Goodwin

(74) *Attorney, Agent, or Firm* — Tucker Ellis LLP; Carlos Garritano

(57) **CLAIM**

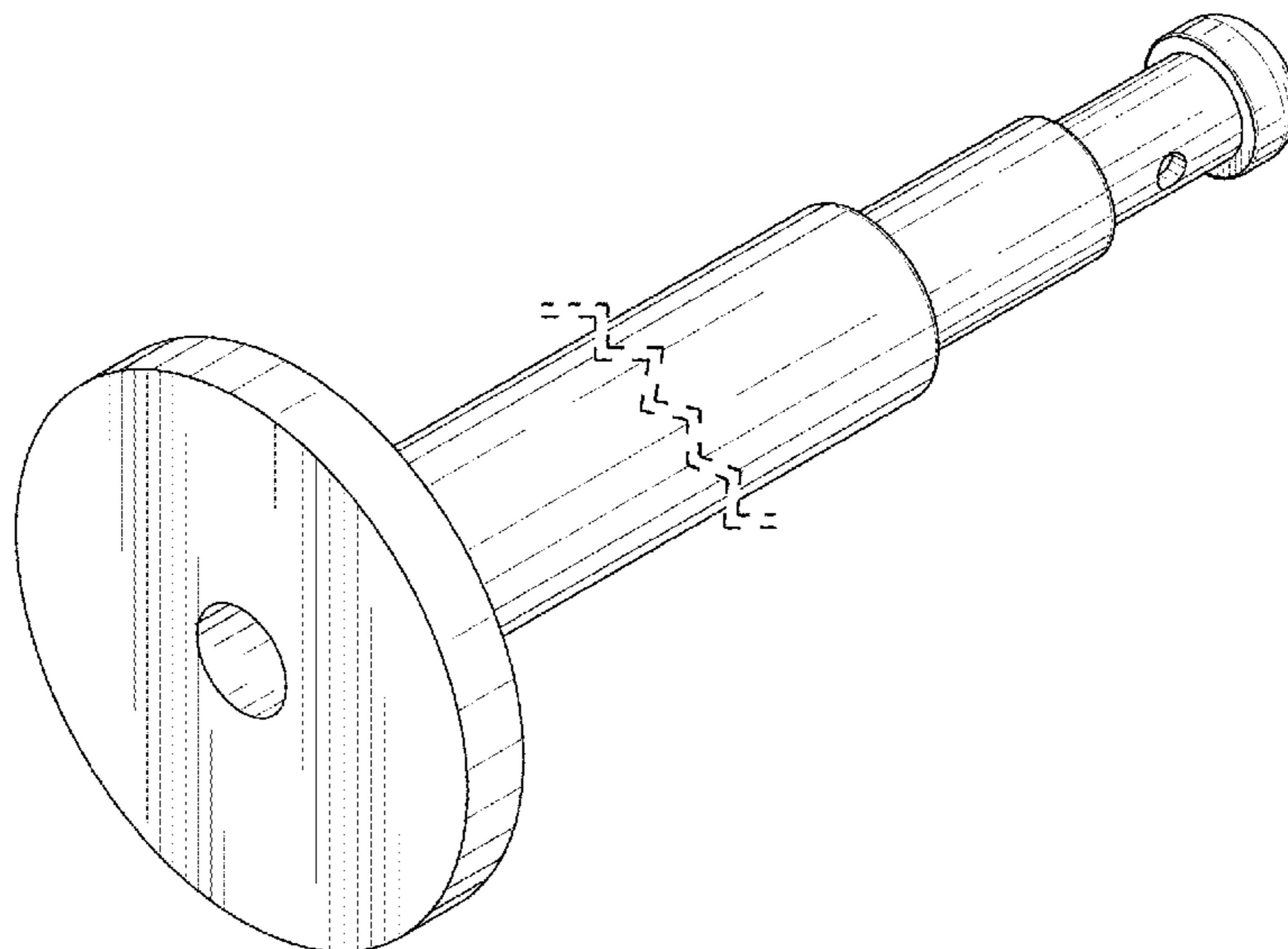
The ornamental design for an injection lance attachment, as shown and described.

DESCRIPTION

FIG. 1 is a top perspective view of an injection lance attachment showing our new design; FIG. 2 is a bottom perspective of the injection lance attachment illustrated in FIG. 1; FIG. 3 is a top view of the injection lance attachment illustrated in FIG. 1; FIG. 4 is a bottom view of the injection lance attachment illustrated in FIG. 1; FIG. 5 is a left side view of the injection lance attachment illustrated in FIG. 1; FIG. 6 is a right side view of the injection lance attachment illustrated in FIG. 1; FIG. 7 is a rear view of the injection lance attachment illustrated in FIG. 1; and, FIG. 8 is a front view of the injection lance attachment illustrated in FIG. 1.

The broken lines in the drawings illustrate the portions of the injection lance attachment that form no part of the claimed design. The break lines represent sections of the injection lance attachment of indeterminate length.

1 Claim, 5 Drawing Sheets



(56)

References Cited

U.S. PATENT DOCUMENTS

D651,687	S	*	1/2012	Chen	D23/213
D652,188	S	*	1/2012	Escobar	D32/32
D667,530	S	*	9/2012	Wyne	D23/213
D690,391	S	*	9/2013	Garm	D23/233
D749,644	S	*	2/2016	Redden	D15/21
D772,304	S	*	11/2016	Rondinella	D15/21
D813,349	S	*	3/2018	Rudrapada	D23/214
D831,077	S	*	10/2018	Baudoin	D15/21
D836,755	S	*	12/2018	Dale	D23/259
D852,428	S	*	6/2019	LeMieux	D29/125
D877,353	S	*	3/2020	Ito	D24/222
D879,244	S	*	3/2020	Park	D23/213
D881,955	S	*	4/2020	Wolf	D15/122
D888,115	S	*	6/2020	Leavitt	D15/138
D888,196	S	*	6/2020	Okajima	D23/213
D908,187	S	*	1/2021	Tobler	D23/213
D917,582	S	*	4/2021	Jones	D15/21
D930,789	S	*	9/2021	McGehee	D23/213

* cited by examiner

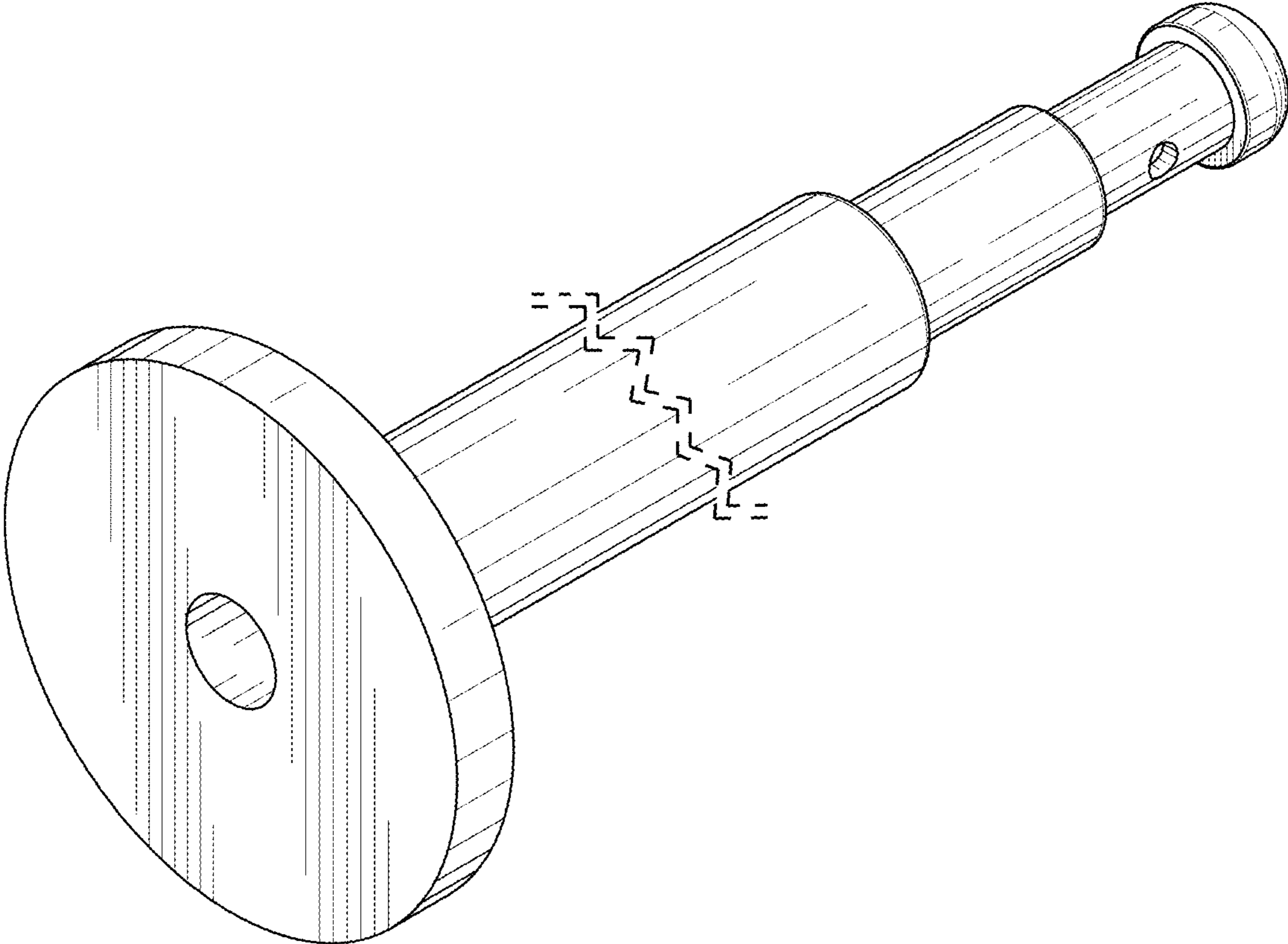


FIG.1

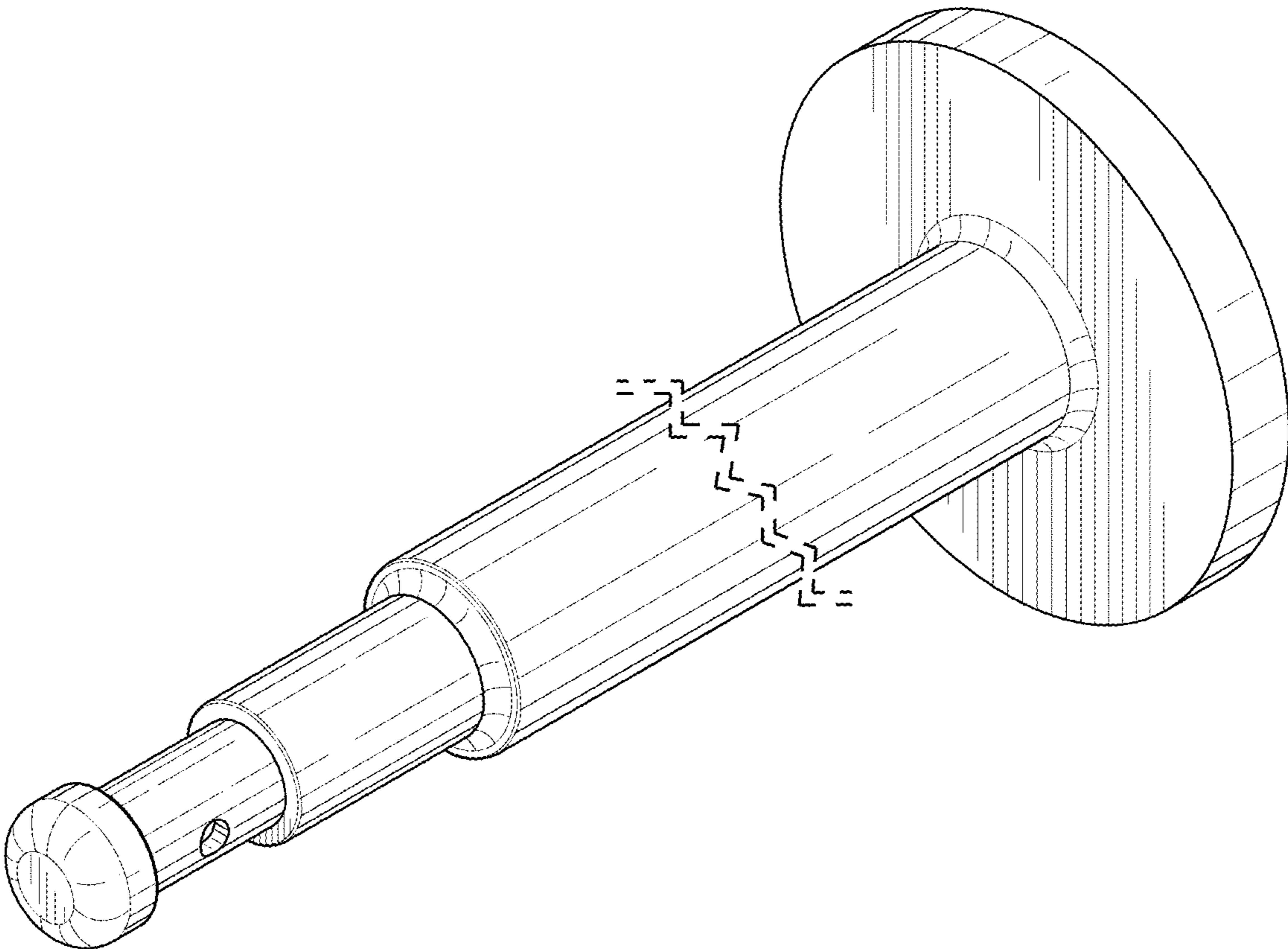


FIG.2

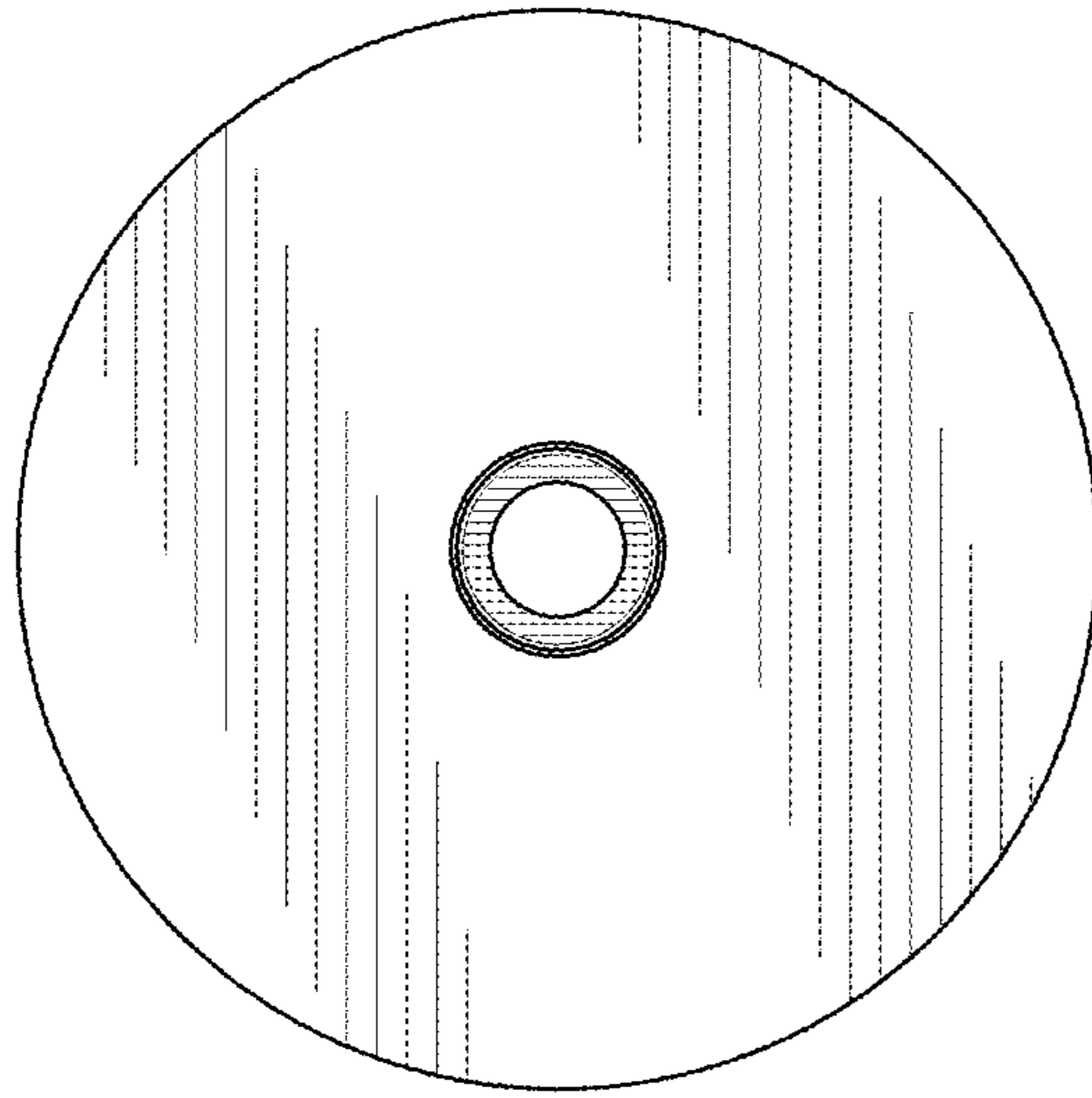


FIG.3

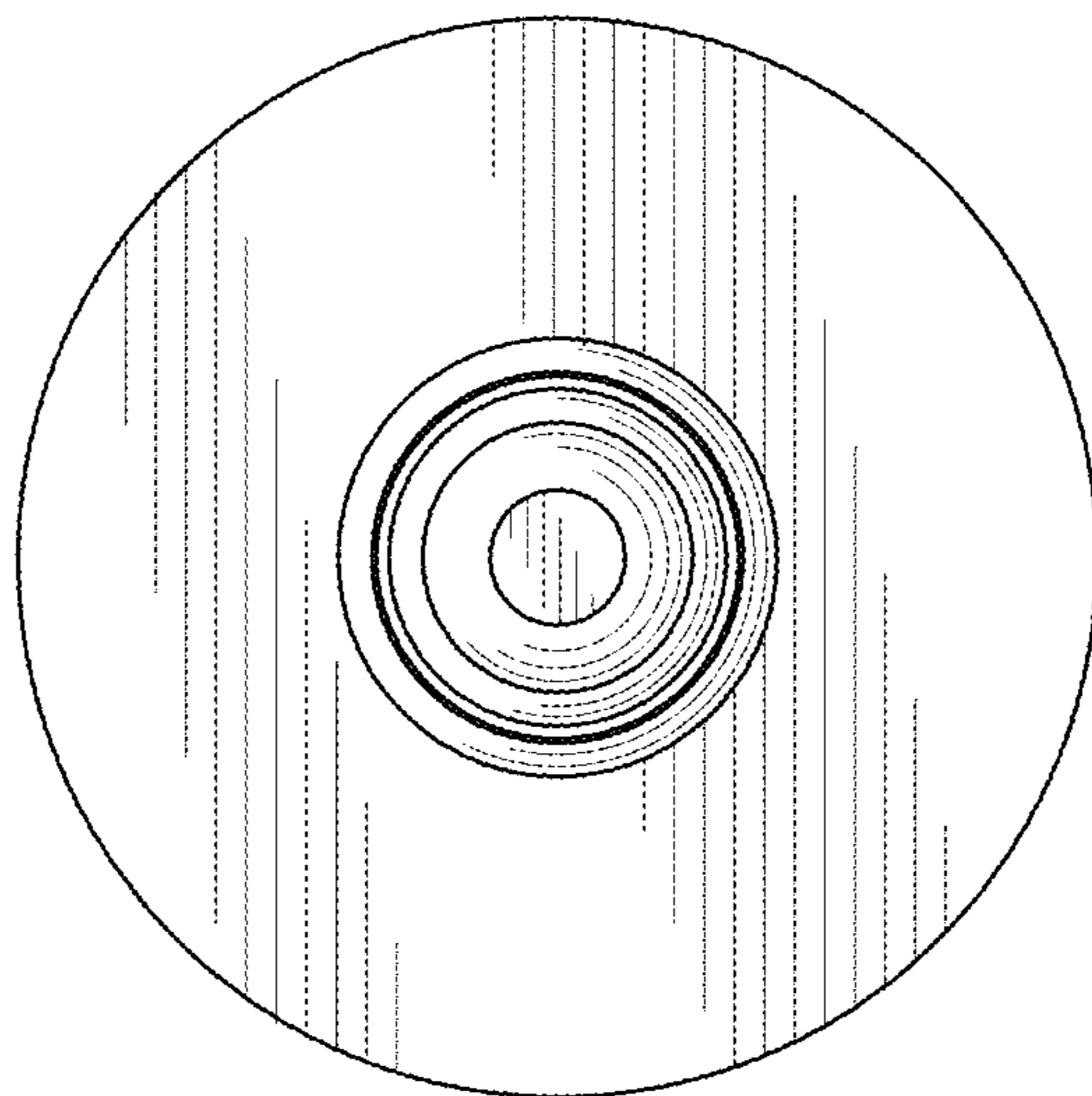


FIG.4

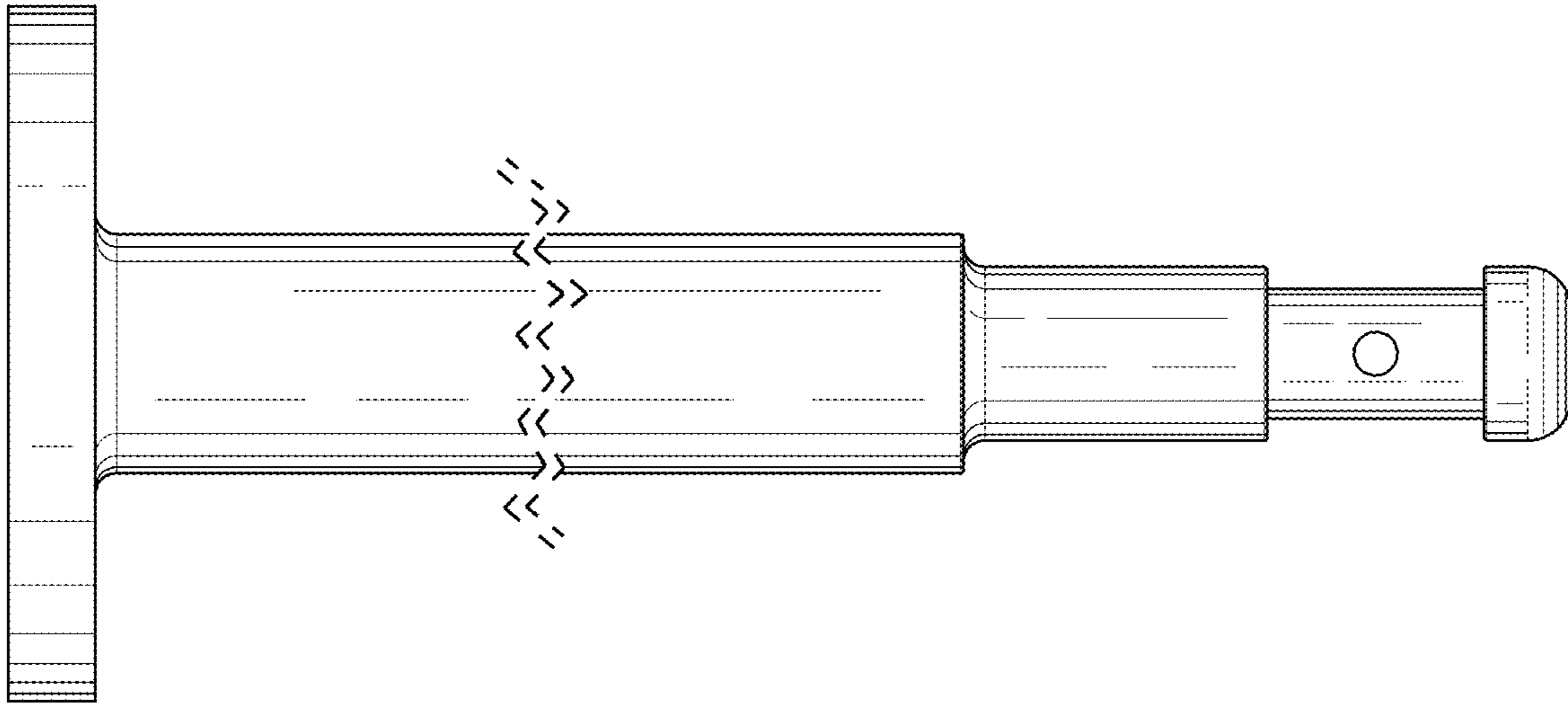


FIG.5

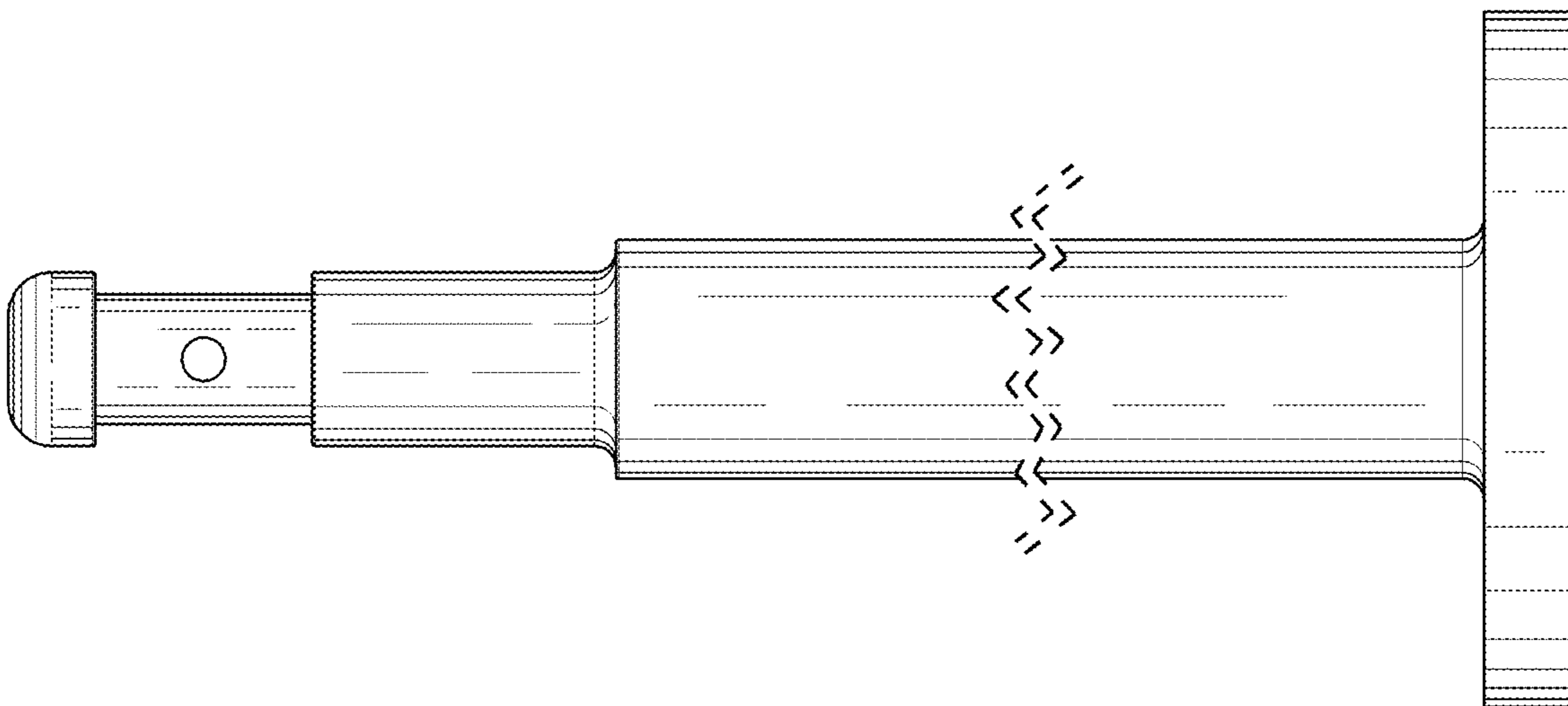


FIG.6

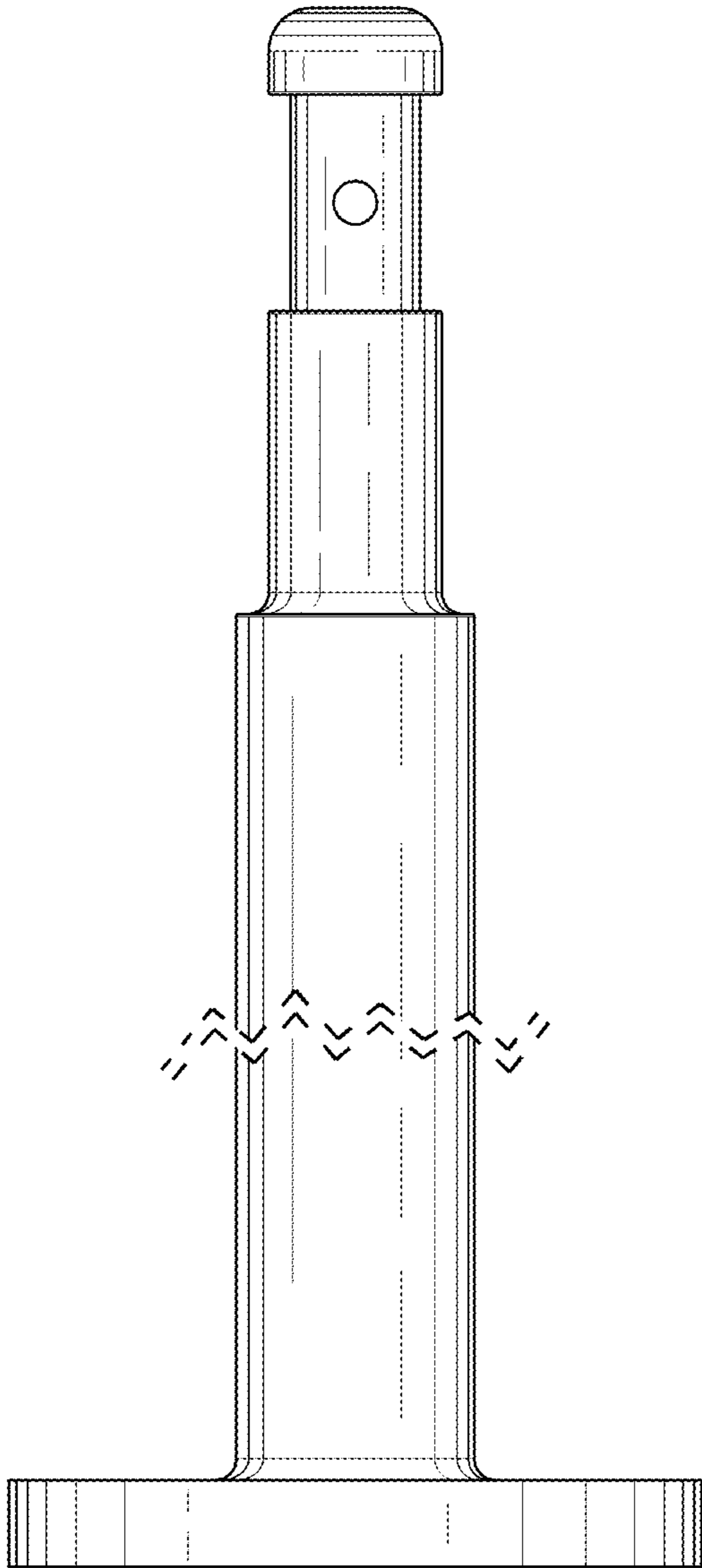


FIG.7

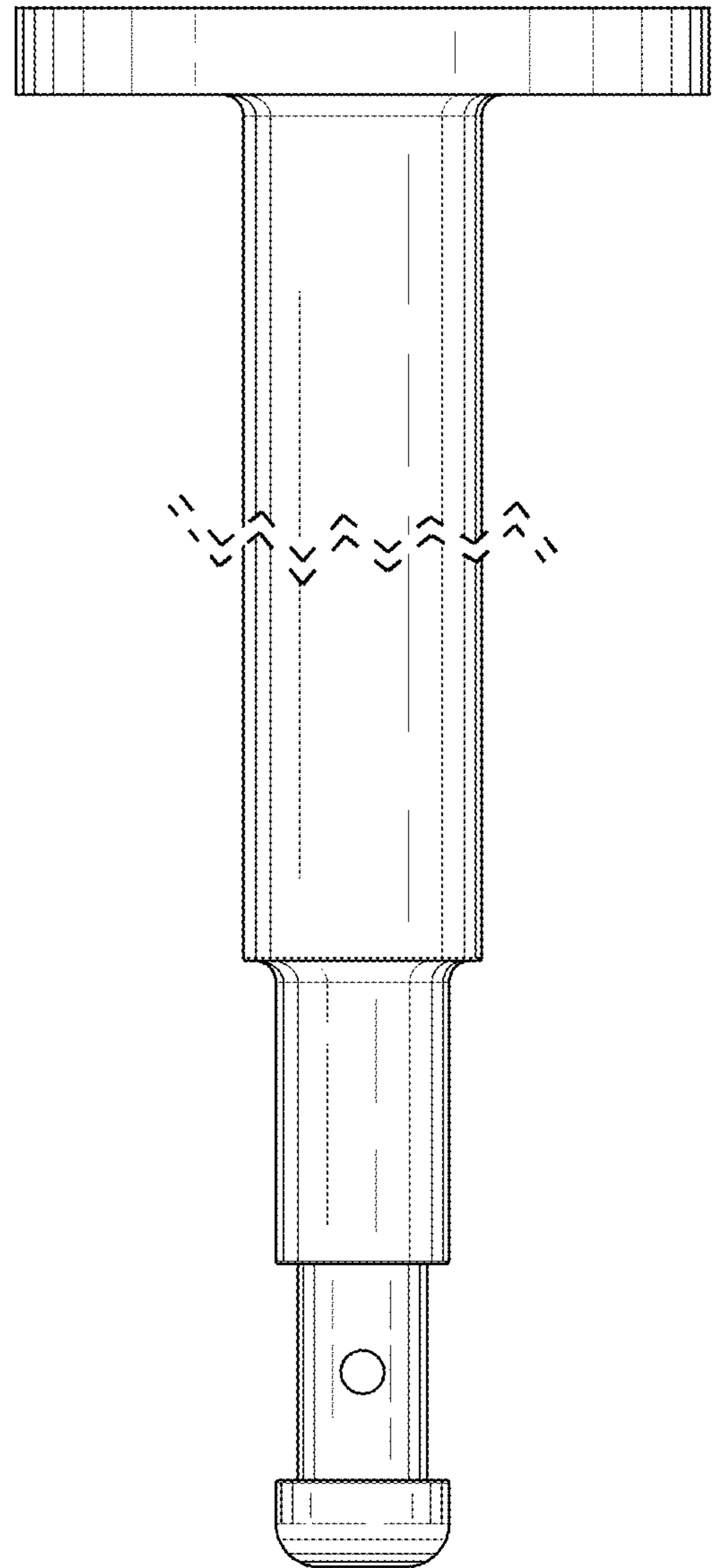


FIG.8