

US00D943058S

(12) **United States Design Patent** (10) **Patent No.:** **US D943,058 S**  
**Horner et al.** (45) **Date of Patent:** **\*\* Feb. 8, 2022**

(54) **FILTER CARTRIDGE**

FOREIGN PATENT DOCUMENTS

(71) Applicant: **Megadyne Medical Products, Inc.**,  
Draper, UT (US)

WO 9408698 4/1994  
WO 2016142690 9/2016

(Continued)

(72) Inventors: **Shawn K. Horner**, Woods Cross, UT  
(US); **Chad S. Frampton**, American  
Fork, UT (US); **Steven D. Andrews**,  
West Jordan, UT (US)

OTHER PUBLICATIONS

Bovie 35 hour filter found online [Sep. 11, 2018]—<http://www.boviemedical.com/smoke-shark-ii/>.

(Continued)

(73) Assignee: **Megadyne Medical Products, Inc.**,  
Draper, UT (US)

*Primary Examiner* — John A Voytek

(\*\*) Term: **15 Years**

(74) *Attorney, Agent, or Firm* — Workman Nydegger

(21) Appl. No.: **29/733,877**

(57) **CLAIM**

The ornamental design for a filter cartridge, as shown and described.

(22) Filed: **May 7, 2020**

**DESCRIPTION**

**Related U.S. Application Data**

(63) Continuation of application No. 29/627,793, filed on  
Nov. 29, 2017, now Pat. No. Des. 886,976.

(51) **LOC (13) Cl.** ..... **23-01**

(52) **U.S. Cl.**  
USPC ..... **D23/209**

(58) **Field of Classification Search**  
USPC ..... D23/209, 235, 341, 358, 363–365;  
D15/5; D32/21–25, 31, 32; D24/144,  
D24/232–234

(Continued)

(56) **References Cited**

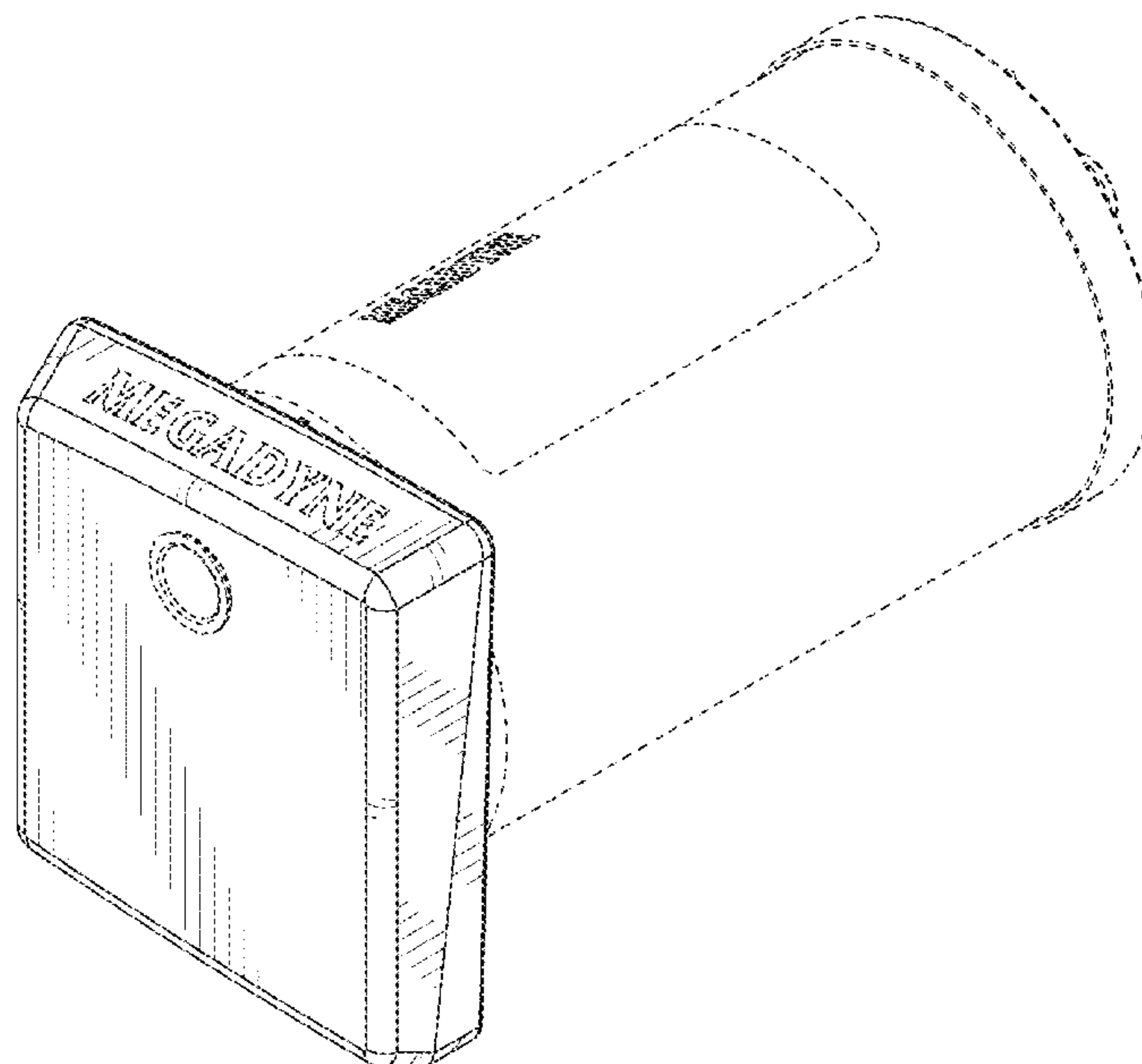
U.S. PATENT DOCUMENTS

1,165,288 A 12/1915 Rimmer  
1,789,194 A 1/1931 Rockwell

(Continued)

FIG. 1 is a perspective view of the filter cartridge showing the new design; FIG. 2 is a front end elevational view of the filter cartridge; FIG. 3 is a back end elevational view of the filter cartridge; FIG. 4 is a left side elevational view of the filter cartridge; FIG. 5 is a right side elevational view of the filter cartridge; FIG. 6 is a top plan view of the filter cartridge; FIG. 7 is a bottom plan view of the filter cartridge; FIG. 8 is another perspective view of the filter cartridge showing the new design; FIG. 9 is a front end elevational view of the filter cartridge; FIG. 10 is a back end elevational view of the filter cartridge; FIG. 11 is a left side elevational view of the filter cartridge; FIG. 12 is a right side elevational view of the filter cartridge; FIG. 13 is a top plan view of the filter cartridge; and, FIG. 14 is a bottom plan view of the filter cartridge. The broken lines shown in the drawings are for the purpose of illustrating portions of the filter cartridge that for no part of the claimed design.

**1 Claim, 8 Drawing Sheets**



(58) **Field of Classification Search**  
 CPC ..... F02M 35/04; F02M 35/10; F02M 35/024;  
 B01D 46/0002; B01D 46/10  
 See application file for complete search history.

(56) **References Cited**

U.S. PATENT DOCUMENTS

2,577,606 A 12/1951 Conley  
 3,815,752 A 6/1974 Hoffman et al.  
 3,841,490 A 10/1974 Hoffman et al.  
 4,157,234 A 6/1979 Shaffer et al.  
 4,396,206 A 8/1983 Tsuge et al.  
 4,619,672 A 10/1986 Robertson  
 4,701,193 A 10/1987 Robertson et al.  
 4,786,298 A 11/1988 Billet et al.  
 4,810,269 A 3/1989 Stackhouse et al.  
 4,826,513 A 5/1989 Stackhouse et al.  
 4,986,839 A 1/1991 Wertz et al.  
 5,108,389 A 4/1992 Comescu  
 5,144,176 A 9/1992 Popper  
 5,160,334 A 11/1992 Billings et al.  
 5,221,192 A 6/1993 Heflin et al.  
 5,226,939 A 7/1993 Nicolas et al.  
 5,242,474 A 9/1993 Herbst et al.  
 5,288,469 A 2/1994 Skalla et al.  
 5,318,516 A 6/1994 Comescu  
 5,336,218 A 8/1994 Linhares  
 5,342,349 A 8/1994 Kaufman  
 5,423,779 A 6/1995 Yeh  
 5,431,650 A 7/1995 Comescu  
 5,456,248 A 10/1995 Holian et al.  
 5,522,808 A 6/1996 Skalla  
 5,597,385 A 1/1997 Moerke  
 5,620,441 A 4/1997 Greff et al.  
 5,674,219 A 10/1997 Monson et al.  
 5,690,480 A 11/1997 Suzuki et al.  
 5,853,410 A 12/1998 Greff et al.  
 5,874,052 A 2/1999 Holland  
 5,910,291 A 6/1999 Skalla et al.  
 5,992,413 A 11/1999 Martin et al.  
 6,050,792 A 4/2000 Shaffer  
 6,110,259 A 8/2000 Schultz et al.  
 6,129,530 A 10/2000 Shaffer  
 6,203,590 B1 \* 3/2001 Byrd ..... B01D 46/0023  
 55/319  
 6,203,762 B1 3/2001 Skalla et al.  
 6,439,864 B1 8/2002 Shaffer  
 D467,654 S \* 12/2002 Klug ..... D23/365  
 6,511,308 B2 1/2003 Shaffer  
 6,524,307 B1 2/2003 Palmerton et al.  
 6,544,210 B1 4/2003 Trudel et al.  
 6,585,791 B1 7/2003 Garito et al.  
 6,589,316 B1 7/2003 Schultz et al.  
 6,592,543 B1 7/2003 Wortrich et al.  
 6,616,722 B1 9/2003 Cartellone  
 6,663,698 B2 12/2003 Mishin et al.  
 D485,339 S \* 1/2004 Klug ..... D23/365  
 6,709,248 B2 3/2004 Fujioka et al.  
 6,736,620 B2 5/2004 Satoh  
 6,758,885 B2 7/2004 Leffel et al.  
 6,786,707 B2 9/2004 Kim  
 D513,314 S \* 12/2005 Iddings ..... D23/365  
 7,014,434 B2 3/2006 Fujioka et al.  
 D521,137 S \* 5/2006 Khalil ..... A47L 5/24  
 D23/365  
 D545,955 S \* 7/2007 Arias ..... D23/365  
 7,258,712 B2 8/2007 Schultz et al.  
 7,276,052 B2 10/2007 Kobayashi et al.  
 D555,803 S \* 11/2007 Garito ..... D24/234  
 7,294,116 B1 11/2007 Ellman et al.  
 7,465,156 B2 12/2008 Lee  
 7,497,340 B2 3/2009 Hershberger et al.  
 7,597,731 B2 \* 10/2009 Palmerton ..... A61B 18/00  
 55/385.1  
 D625,399 S \* 10/2010 Horiguchi ..... D23/365  
 D626,204 S \* 10/2010 Morgan ..... D23/365

7,819,957 B2 10/2010 Roberts et al.  
 7,942,655 B2 5/2011 Shaffer  
 D646,368 S \* 10/2011 Osendorf ..... D23/365  
 8,033,798 B2 10/2011 Suh et al.  
 D648,841 S \* 11/2011 Lam ..... D23/364  
 8,142,175 B2 3/2012 Duppert et al.  
 8,190,398 B2 5/2012 Kitaguchi et al.  
 D666,704 S \* 9/2012 Osendorf ..... D23/365  
 8,298,420 B2 10/2012 Burrows  
 8,608,816 B2 12/2013 Palmerton et al.  
 8,684,705 B2 4/2014 Magoon et al.  
 8,727,744 B2 5/2014 Magoon et al.  
 9,011,366 B2 4/2015 Dean et al.  
 9,028,230 B2 5/2015 Shaffer  
 9,067,030 B2 6/2015 Stearns et al.  
 9,074,598 B2 7/2015 Shaffer et al.  
 9,199,047 B2 12/2015 Stearns et al.  
 9,215,964 B2 12/2015 Loske  
 9,366,254 B2 6/2016 Murakami  
 9,387,295 B1 7/2016 Mastri et al.  
 9,387,296 B1 7/2016 Mastri et al.  
 D764,649 S \* 8/2016 Ko ..... D23/364  
 9,415,160 B2 8/2016 Bonano et al.  
 9,435,339 B2 9/2016 Calhoun et al.  
 9,474,512 B2 10/2016 Blackhurst et al.  
 9,532,843 B2 \* 1/2017 Palmerton ..... A61B 90/70  
 9,549,849 B2 1/2017 Charles  
 9,579,428 B1 2/2017 Reasoner et al.  
 D802,024 S \* 11/2017 Aoki ..... D15/5  
 9,867,914 B2 1/2018 Bonano et al.  
 9,943,355 B2 \* 4/2018 Babini ..... B01D 46/521  
 10,631,916 B2 4/2020 Horner et al.  
 D886,976 S \* 6/2020 Horner ..... D23/365  
 D890,900 S \* 7/2020 Bink ..... D23/364  
 D912,762 S \* 3/2021 Horner ..... D23/209  
 2004/0223859 A1 11/2004 Sharp  
 2005/0000196 A1 1/2005 Schultz  
 2005/0189283 A1 9/2005 Smit et al.  
 2006/0099096 A1 5/2006 Shaffer et al.  
 2007/0066970 A1 3/2007 Ineson  
 2009/0022613 A1 1/2009 Dai et al.  
 2013/0231606 A1 9/2013 Stearns et al.  
 2014/0356207 A1 12/2014 Yang  
 2015/0224237 A1 8/2015 Reasoner et al.  
 2015/0273381 A1 10/2015 Stoner et al.  
 2016/0000494 A1 1/2016 Comescu  
 2016/0001102 A1 1/2016 Huh  
 2016/0287817 A1 10/2016 Mastri et al.  
 2016/0367266 A1 12/2016 Palmerton et al.  
 2017/0014557 A1 1/2017 Minskoff et al.  
 2017/0014560 A1 1/2017 Minskoff et al.  
 2017/0165725 A1 6/2017 Hersey et al.  
 2017/0181768 A1 6/2017 Galley  
 2019/0159827 A1 5/2019 Horner et al.  
 2019/0159830 A1 5/2019 Horner et al.  
 2020/0214760 A1 7/2020 Horner et al.

FOREIGN PATENT DOCUMENTS

WO 201703712 1/2017  
 WO 2017112684 6/2017

OTHER PUBLICATIONS

“Megadyne Surgical Smoke Evacuation System found online [Sep. 11, 2018]—<http://www.hcp-austria.com/Minivac%20Smoke%20Evacuators.html>”.  
 Non-Final Office Action for U.S. Appl. No. 29/627,793 dated Oct. 29, 2018.  
 Notice of Allowance for U.S. Appl. No. 29/627,793 dated Feb. 21, 2020.  
 Non-Final Office Action for U.S. Appl. No. 15/826,325 dated Aug. 1, 2019.  
 Notice of Allowance for U.S. Appl. No. 15/826,325 dated Dec. 26, 2019.  
 U.S. Appl. No. 29/627,793, filed Nov. 29, 2017.



(56)

**References Cited**

OTHER PUBLICATIONS

Non-Final Office Action received for U.S. Appl. No. 16/825,998, dated Feb. 2, 2021, 9 pages.

Notice of Allowance received for U.S. Appl. No. 16/825,998, dated Apr. 6, 2021, 9 pages.

Notice of Allowance received for U.S. Appl. No. 16/825,998, dated Jul. 27, 2021, 10 pages.

\* cited by examiner

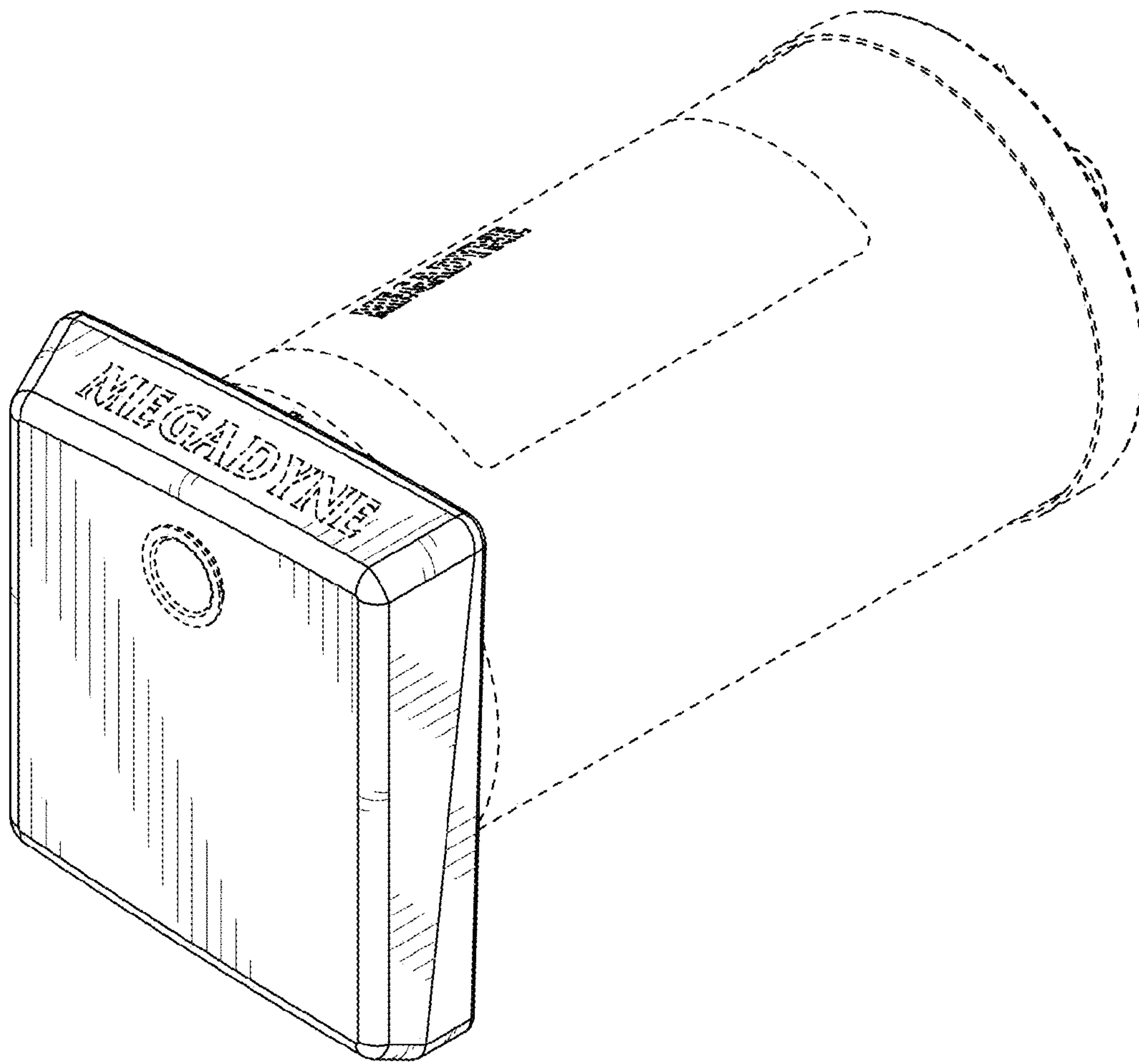


FIG. 1

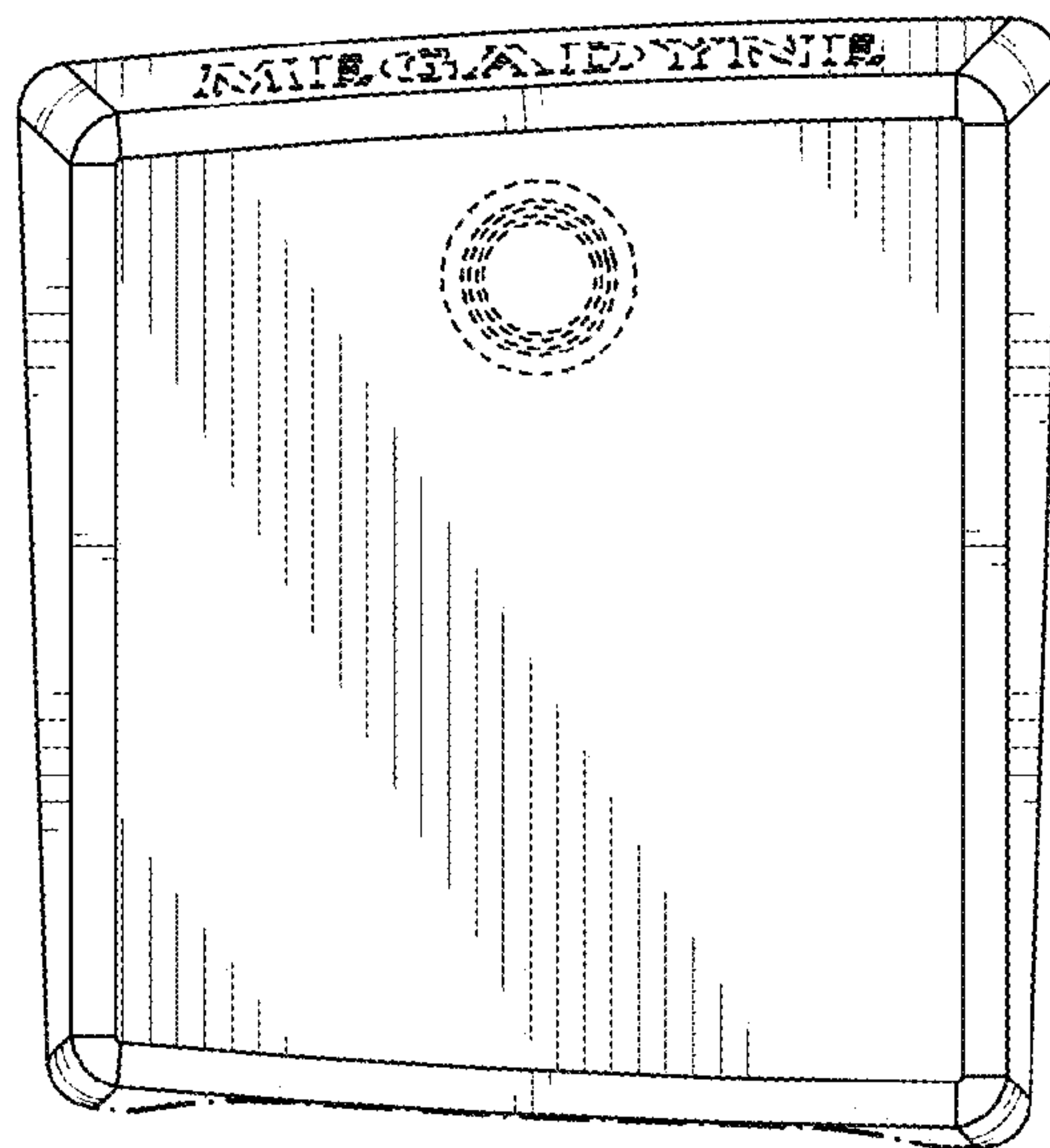


FIG. 2

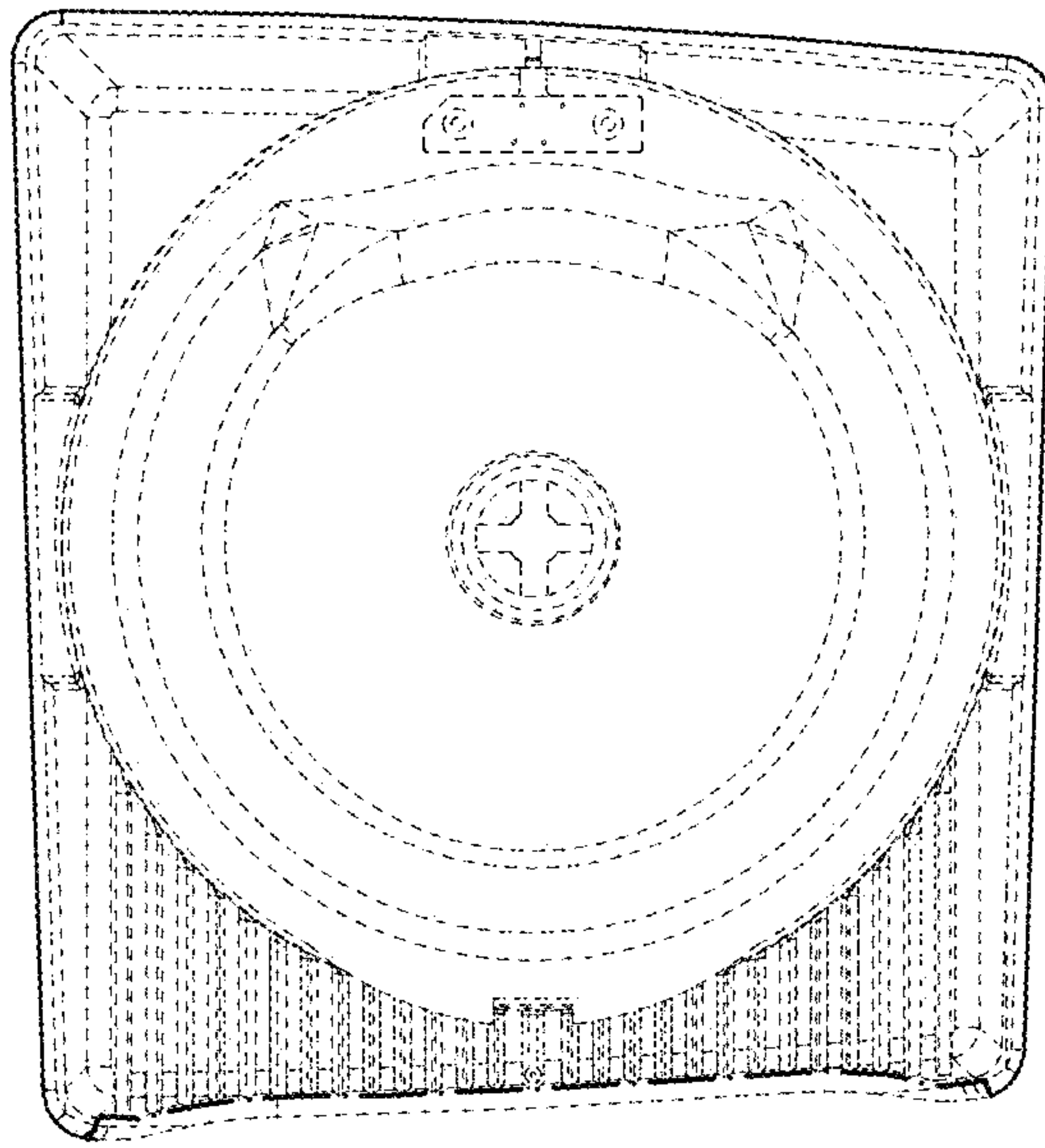


FIG. 3

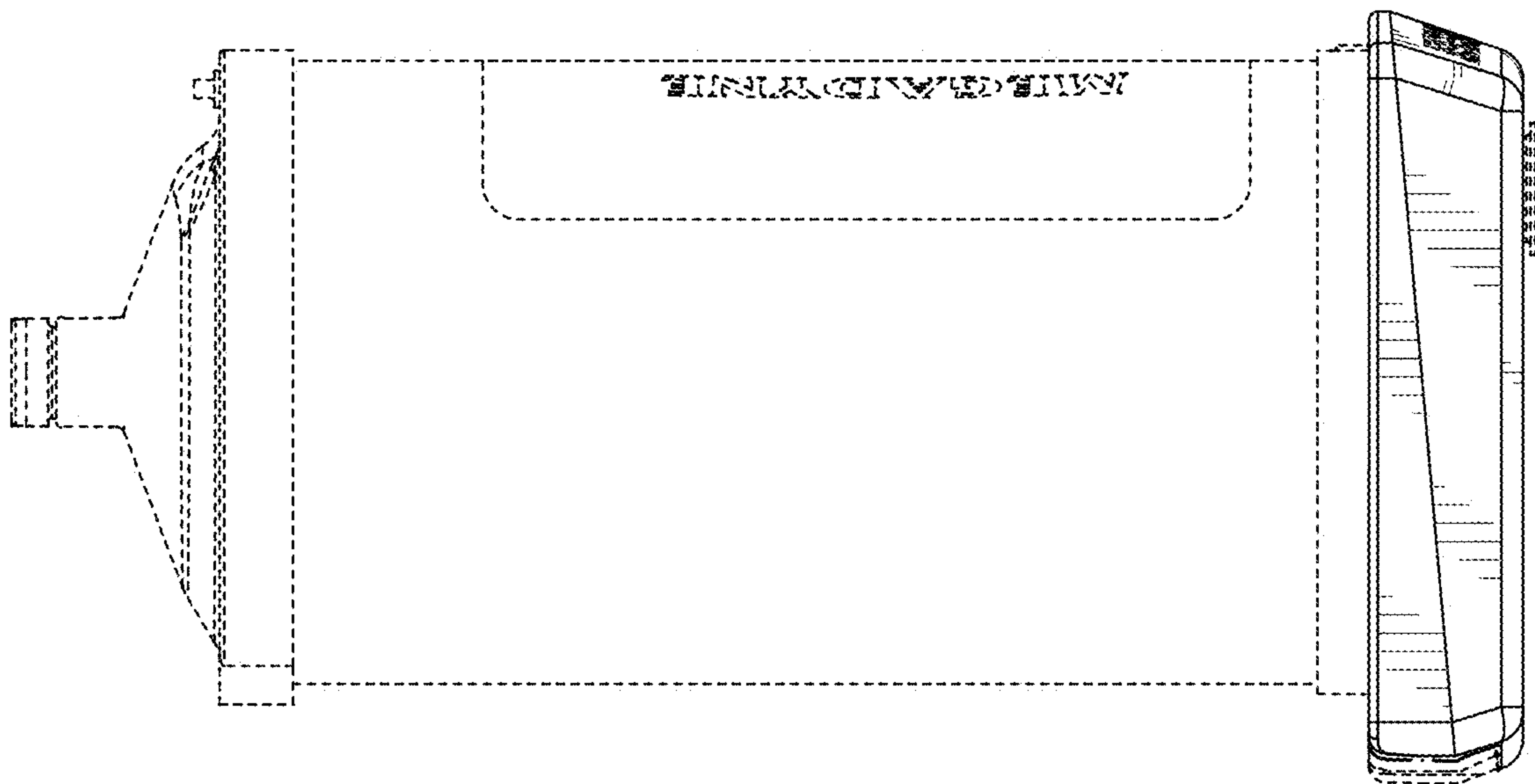


FIG. 4

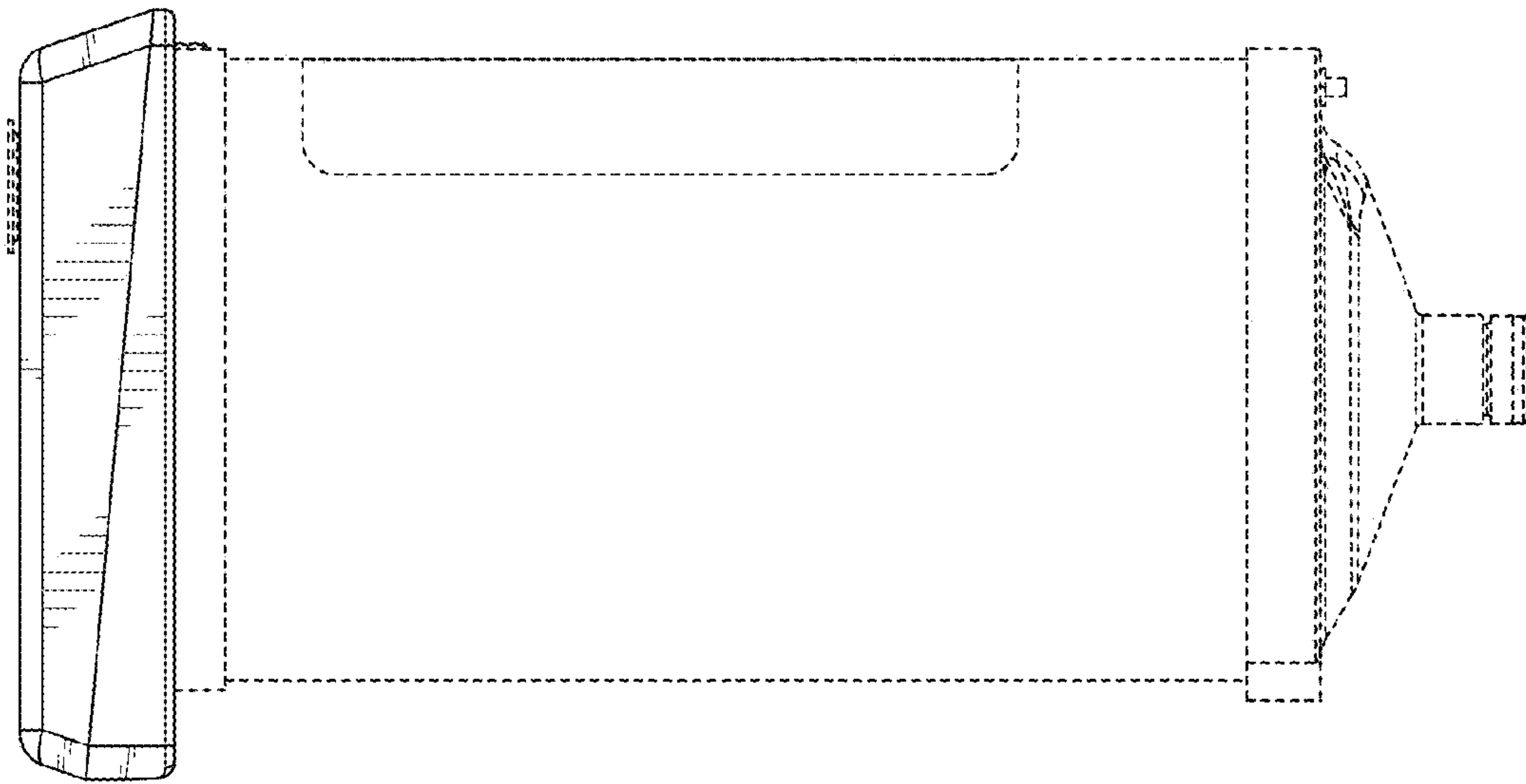


FIG. 5

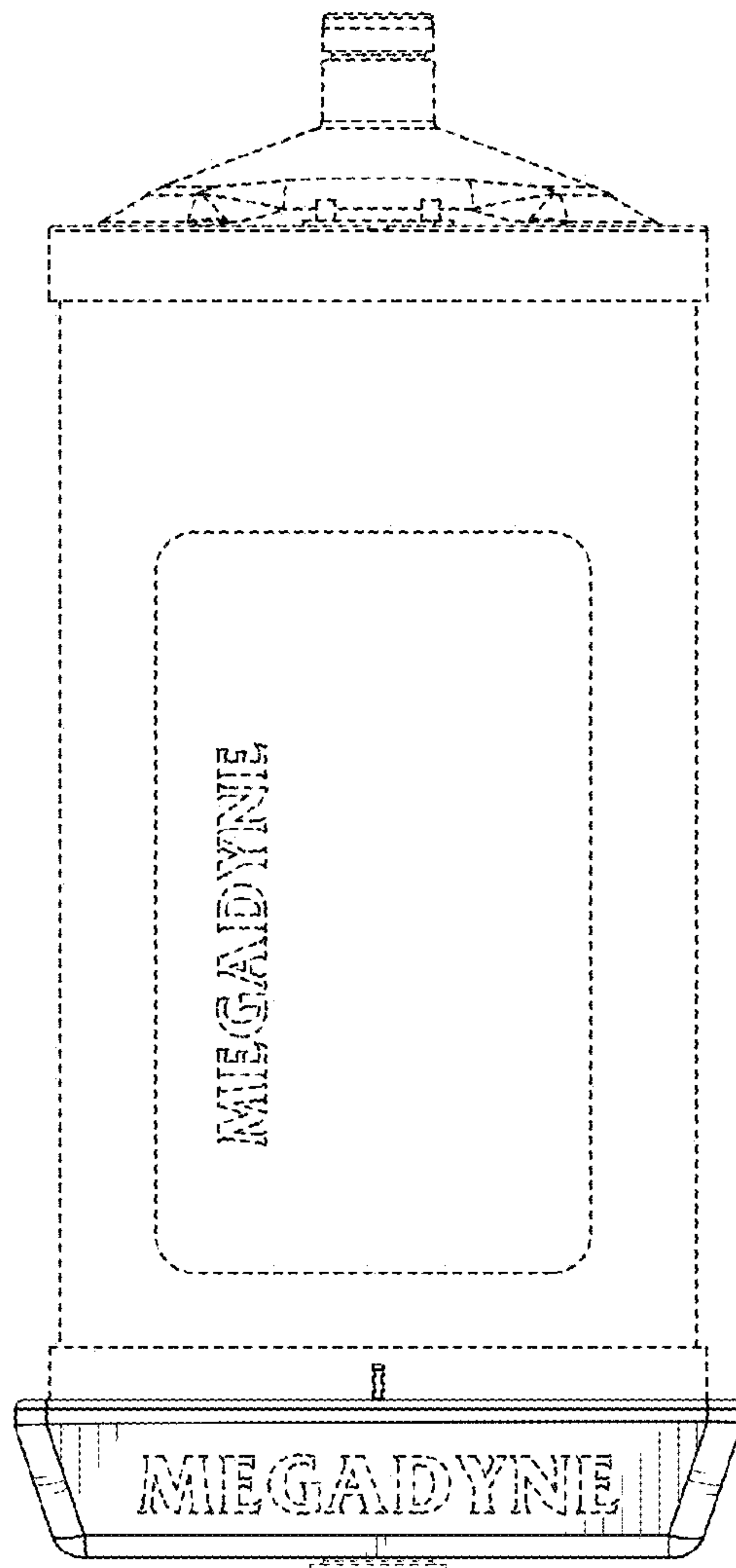


FIG. 6

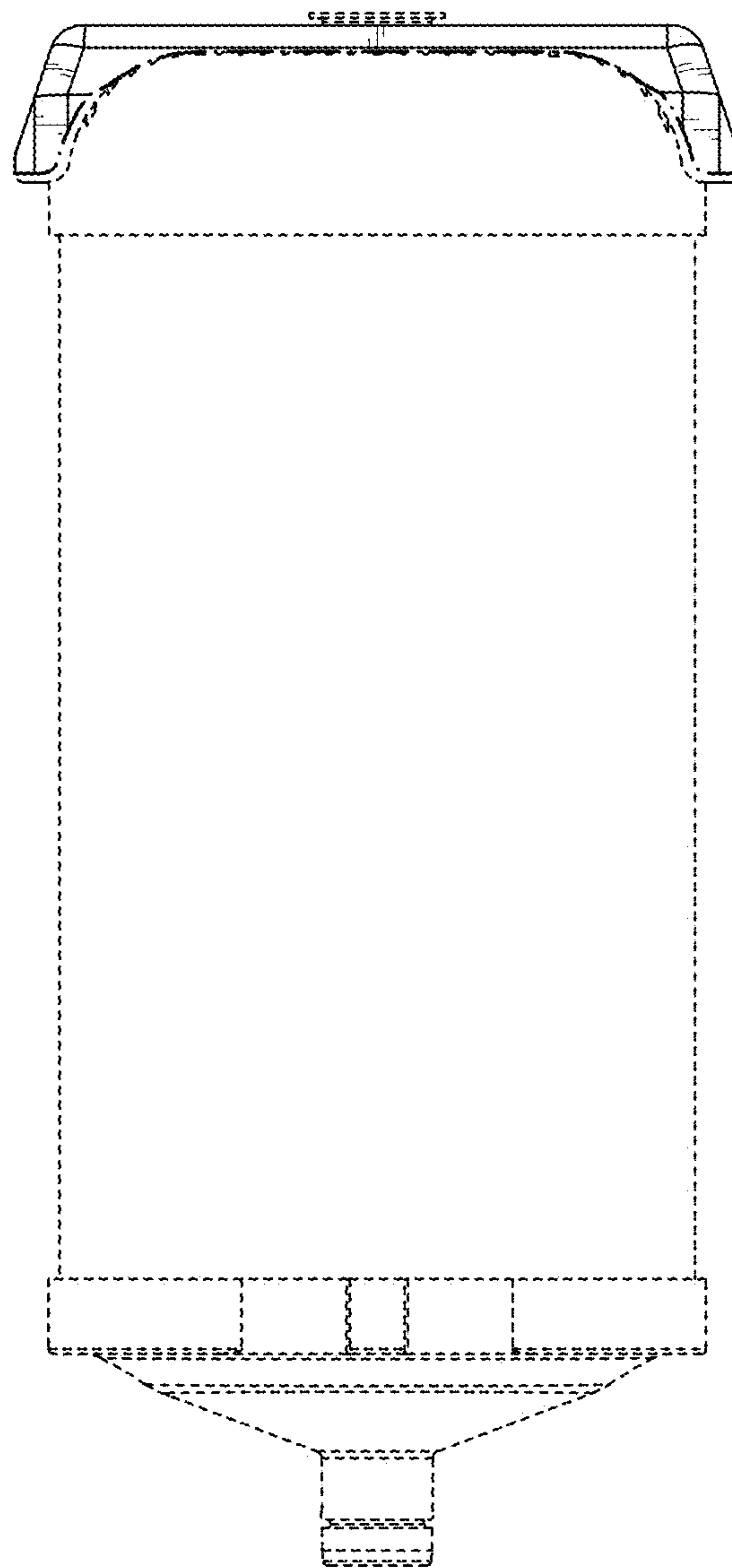


FIG. 7

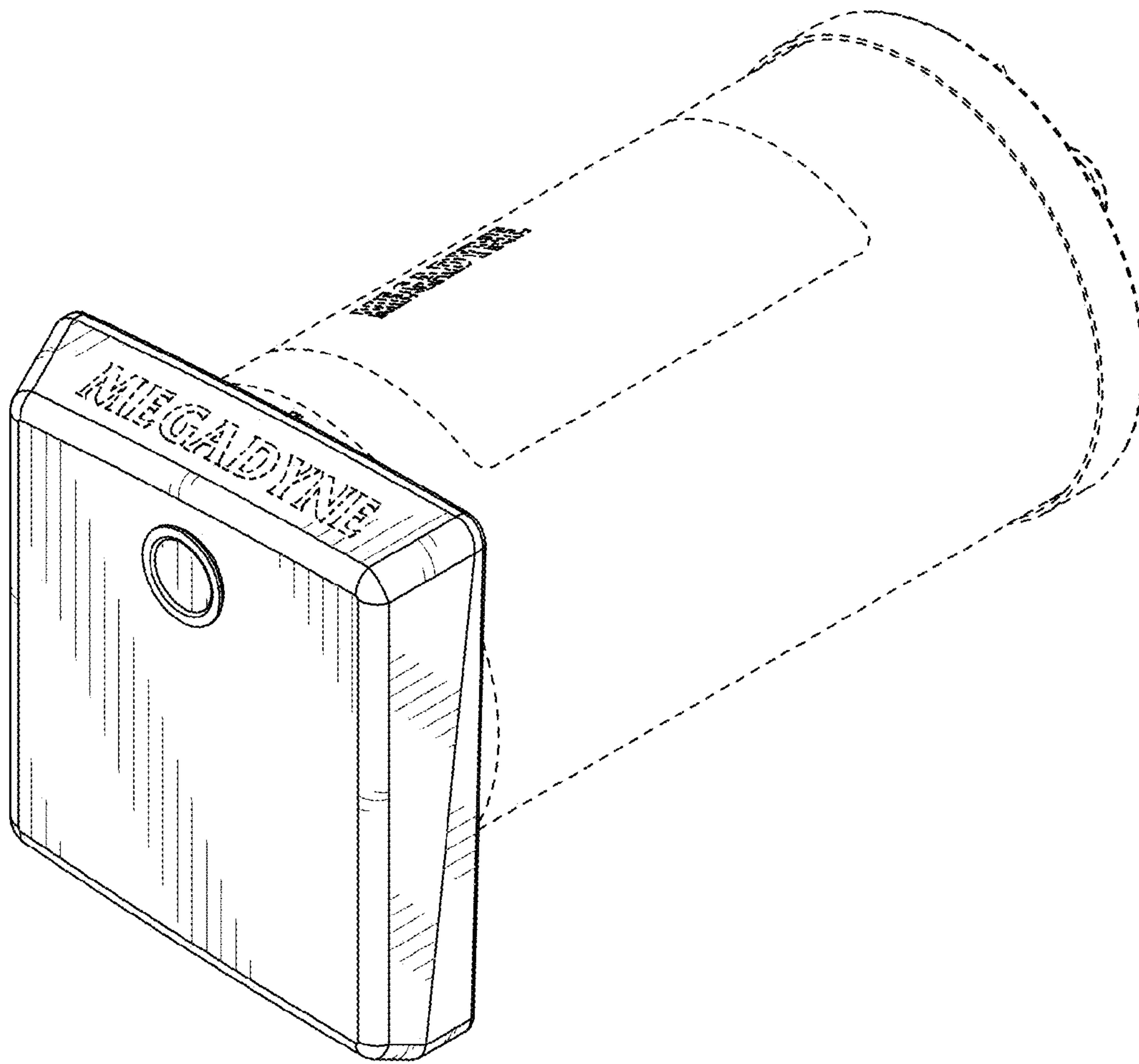


FIG. 8

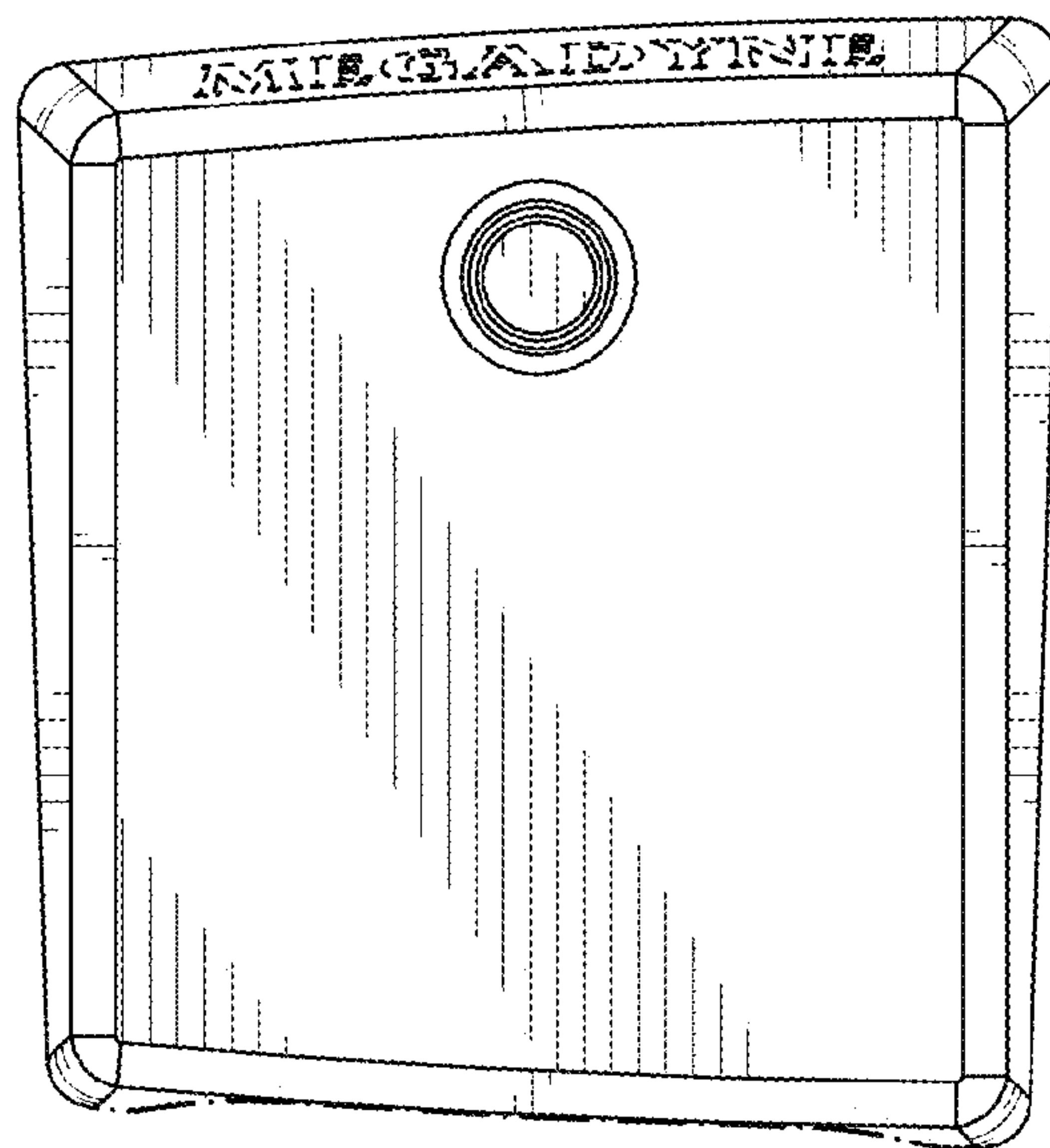


FIG. 9



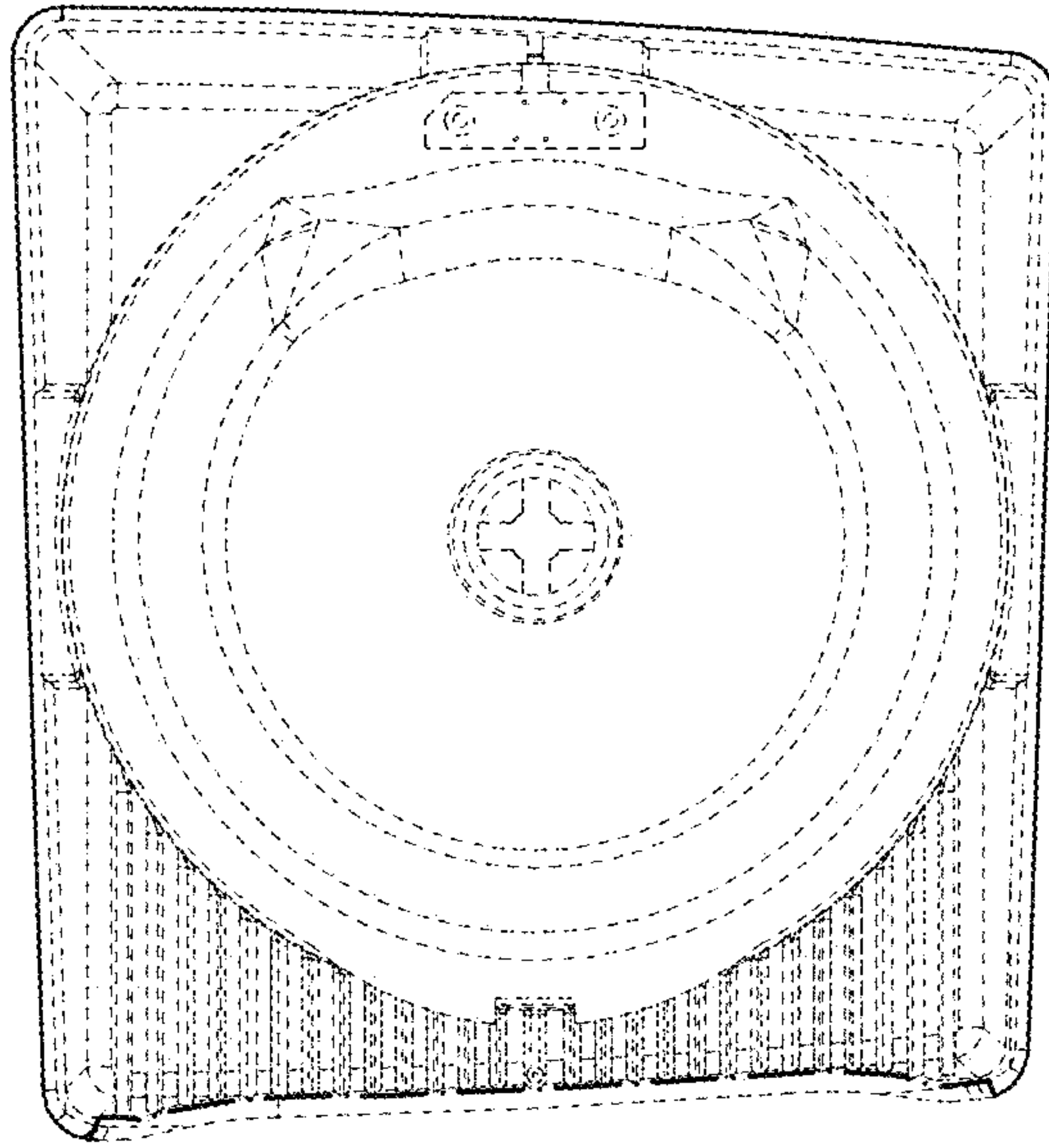


FIG. 10

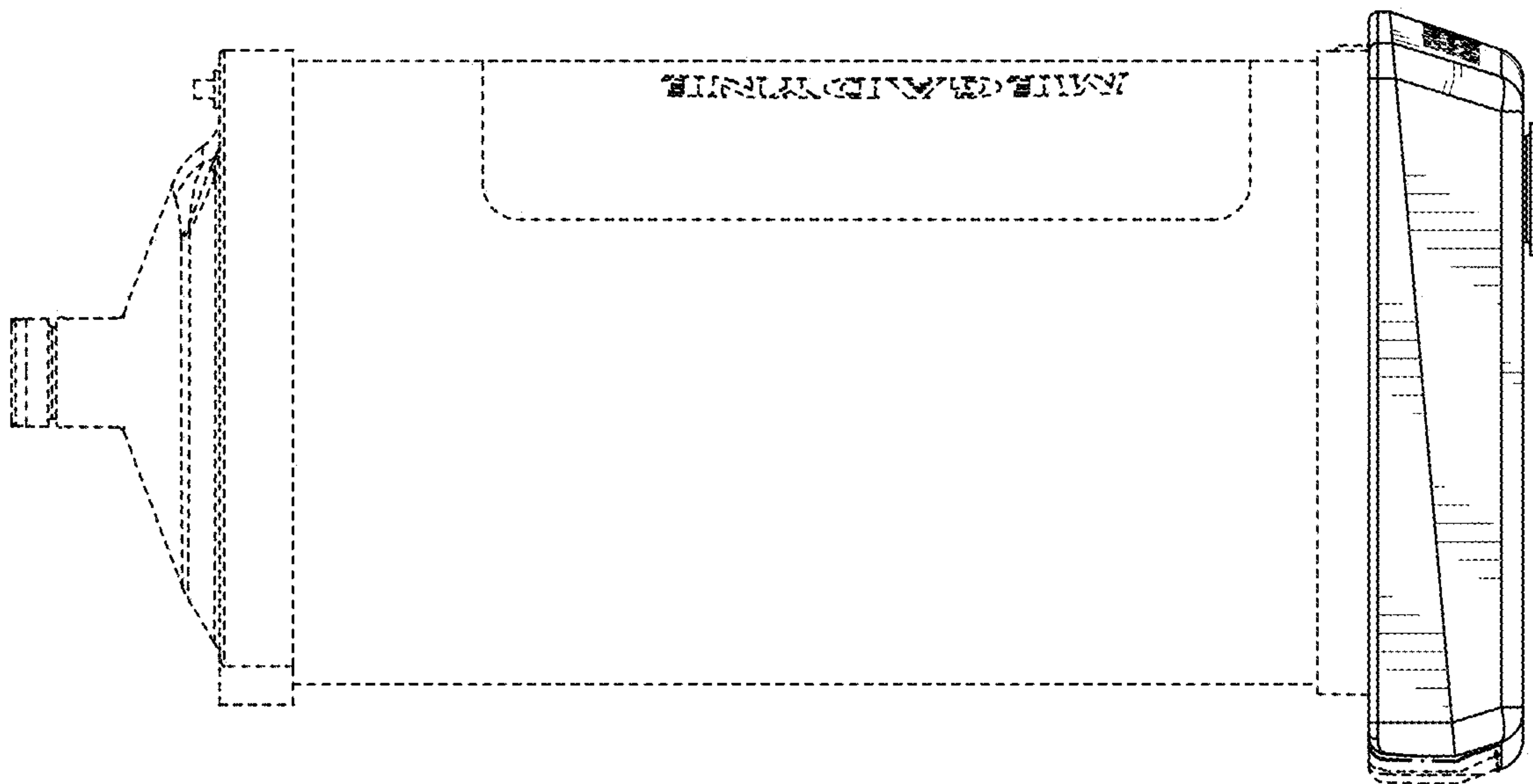


FIG. 11

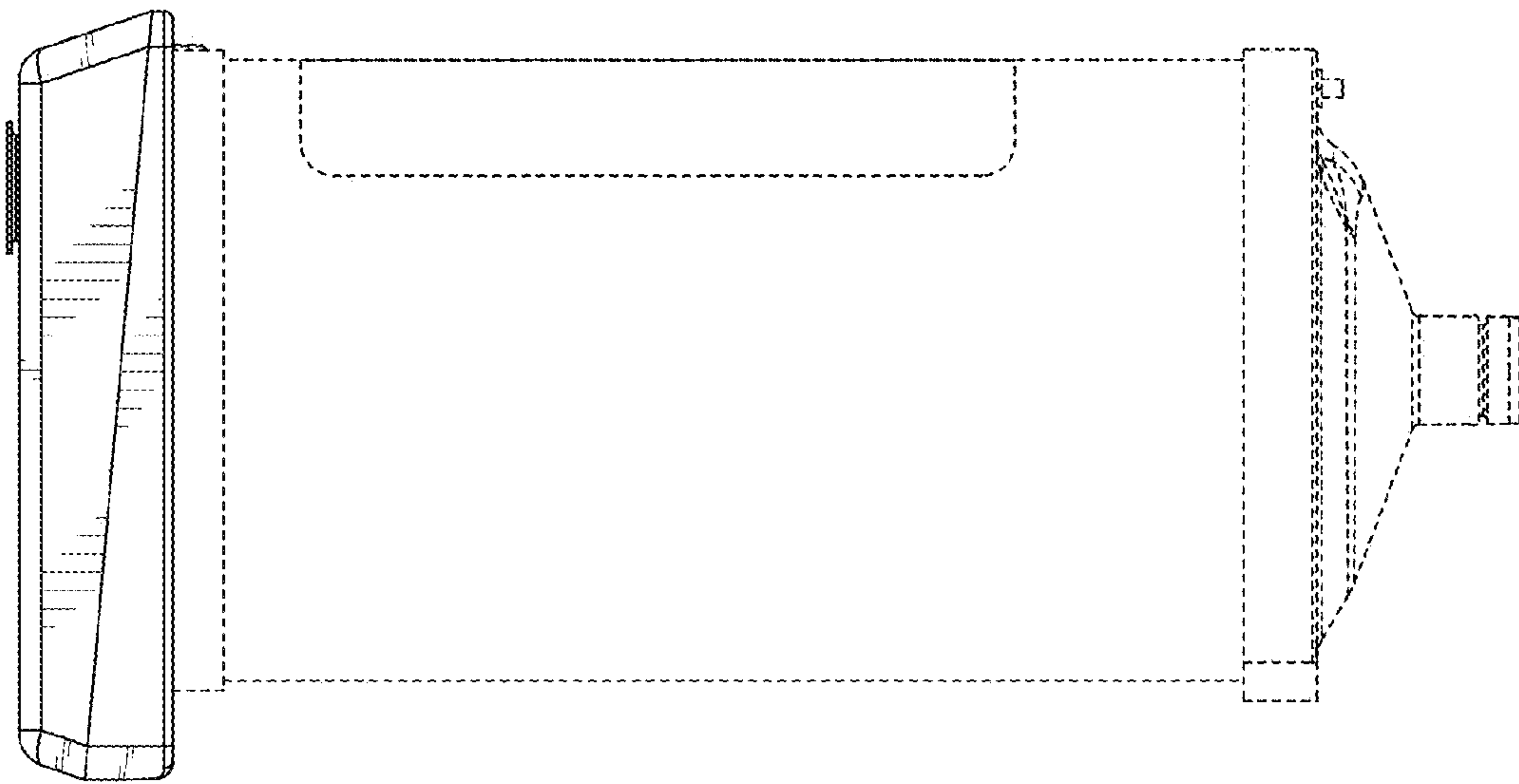


FIG. 12

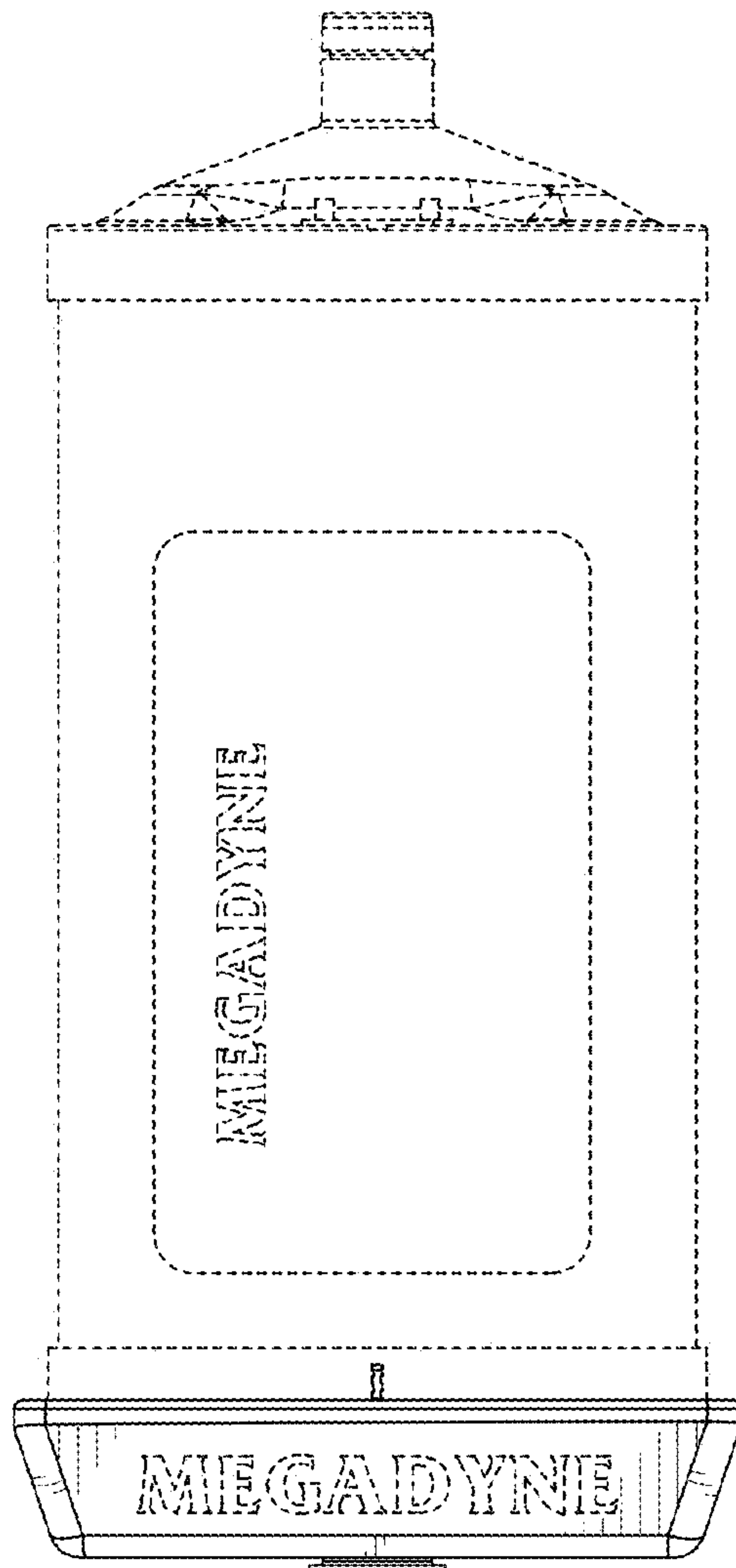
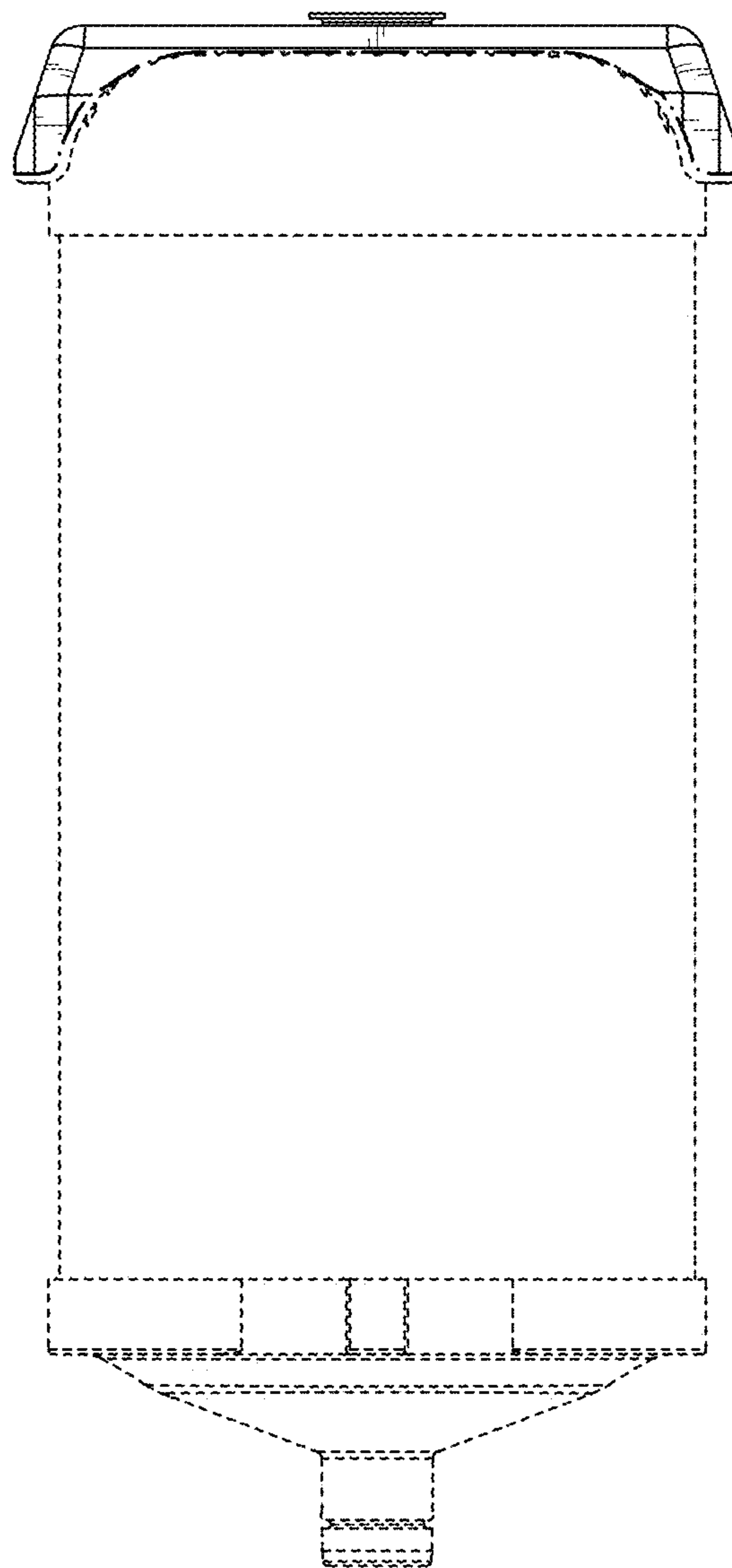


FIG. 13



**FIG. 14**