



(12) **United States Design Patent**
Horie et al.

(10) **Patent No.:** **US D943,056 S**
(45) **Date of Patent:** **** Feb. 8, 2022**

(54) **FISHING REEL BODY**

(71) Applicant: **GLOBERIDE, Inc.**, Tokyo (JP)
(72) Inventors: **Hironori Horie**, Tokyo (JP); **Hayato Ueno**, Tokyo (JP); **Hiroya Nagasawa**, Tokyo (JP); **Takashi Kondo**, Tokyo (JP)
(73) Assignee: **GLOBERIDE, INC.**, Tokyo (JP)

(**) Term: **15 Years**

(21) Appl. No.: **29/736,143**

(22) Filed: **May 28, 2020**

(30) **Foreign Application Priority Data**

Dec. 12, 2019 (JP) 2019-027572

(51) **LOC (13) Cl.** **22-05**

(52) **U.S. Cl.**
USPC **D22/141**

(58) **Field of Classification Search**
USPC D22/140–141
CPC A01K 89/00; A01K 89/01; A01K 89/0111;
A01K 89/006; A01K 89/0183; A01K
89/0192; A01K 89/01121; A01K 89/09;
A01K 89/004; A01K 89/015

See application file for complete search history.

(56) **References Cited**

U.S. PATENT DOCUMENTS

D273,219 S * 3/1984 Iinuma D22/141
8,033,492 B2 * 10/2011 Fujioka A01K 89/0114
242/230
D846,066 S * 4/2019 Deguchi A01K 89/0114
D22/141
2003/0066920 A1 * 4/2003 Kitajima A01K 89/00
242/310

OTHER PUBLICATIONS

Piscifun Ice Fishing Reel . . . https://www.amazon.com/Piscifun-Fishing-Magnetic-Free-Spool-Trigger/dp/B09J1538M5/ref=sr_1_7_sspa?keywords=ice%2Bfishing%2Breels&qid=1638399524&sr=8-7-spons&spLa=ZW5jcnlwdGVkUXVhbGlmaWVyPUFPUJUSkUyMzY2SE0mZW5jcnlwdGVkSWQ9QTEwNDQzNDZlZm1dVVV1VYJmVuY3J5cHRIZEFkSWQ9QTAxMjk4NTZGWD M1Szg3QIVUTFkmd2lkZ2VOTmFtZT1zcF9tdGYmYWN0aW9uPWNsaWNrUmVkaXJlY3QmZ G9Ob3RMb2dDbGljaz10cnVI&th=1 (Year: 2021).
13 Fishing—Free Fall Ghost—Inline Ice Fishing Reels . . . https://www.amazon.com/13-FISHING-Freefall-Fishing-Retrieve/dp/B07YNQP61C/ref=sr_1_4?keywords=globeride+ice+fishing+reels&qid=1638398485&sr=8-4 (Year: 2021).*

* cited by examiner

Primary Examiner — Catherine R Oliver-Garcia
(74) *Attorney, Agent, or Firm* — K&L Gates LLP

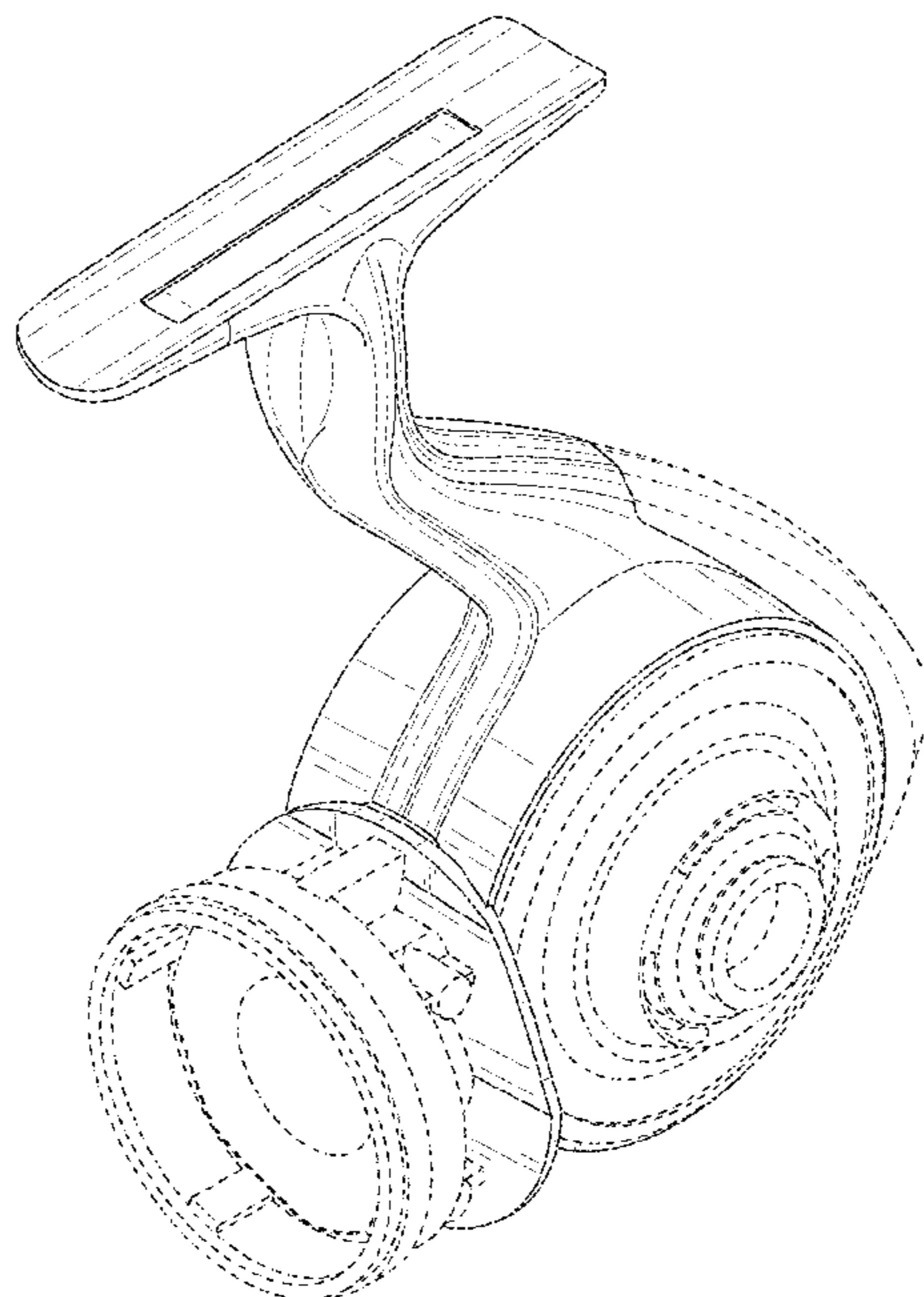
(57) **CLAIM**

The ornamental design for a fishing reel body, as shown and described.

DESCRIPTION

FIG. 1 is a top, front, right side perspective view showing our new design;
FIG. 2 is a front elevational view thereof;
FIG. 3 is a rear elevational view thereof;
FIG. 4 is a left side elevational view thereof;
FIG. 5 is a right side elevational view thereof;
FIG. 6 is a top plan view thereof; and,
FIG. 7 is a bottom plan view thereof.

1 Claim, 7 Drawing Sheets



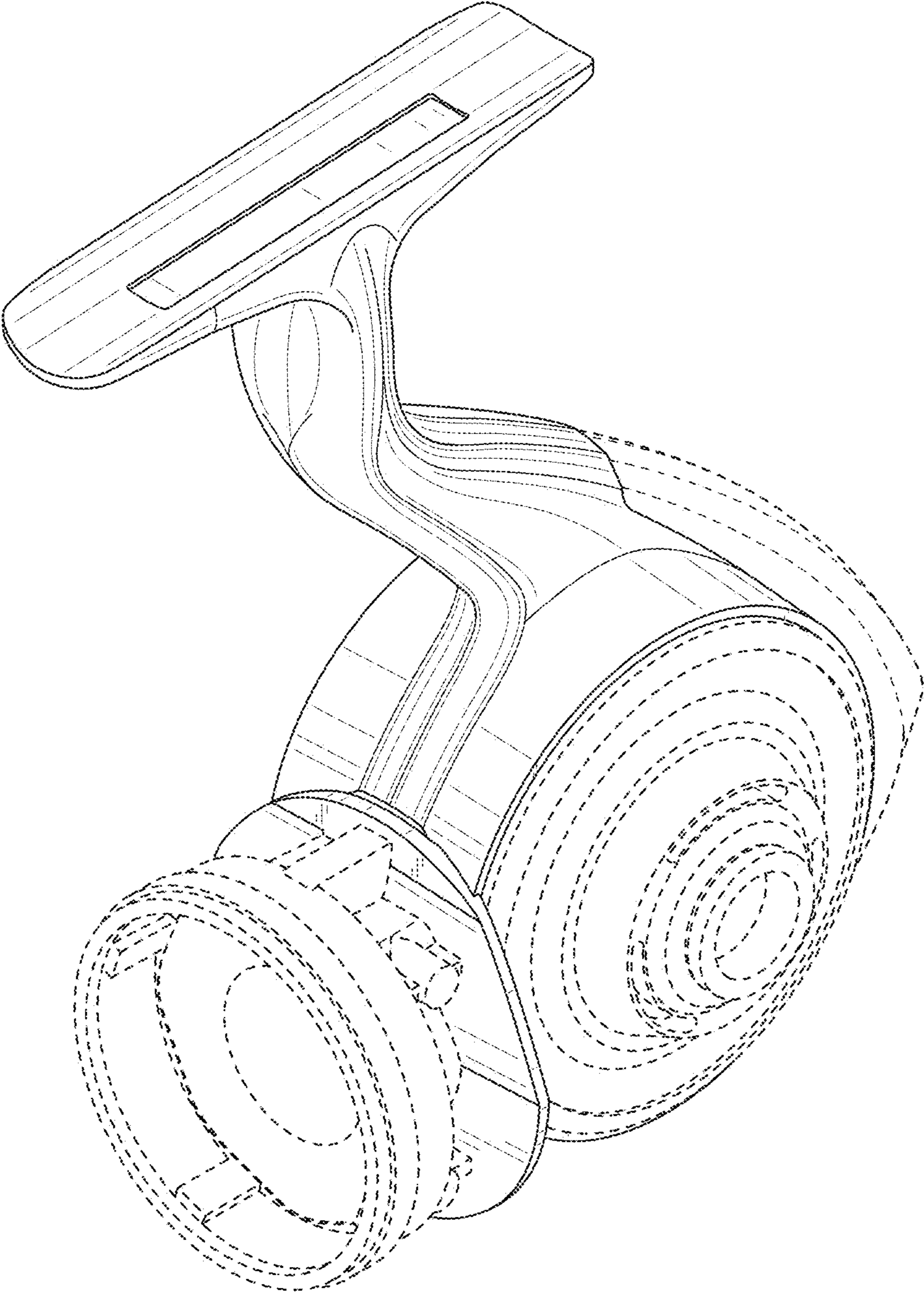


FIG. 1

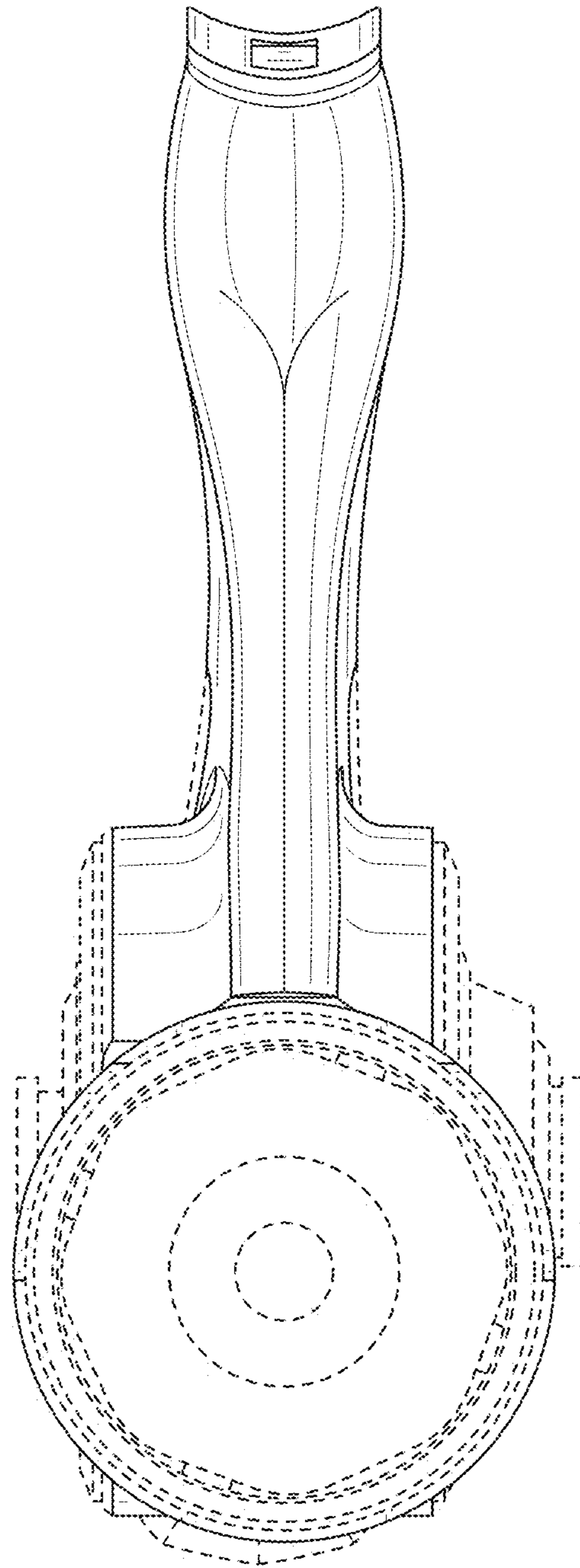


FIG. 2

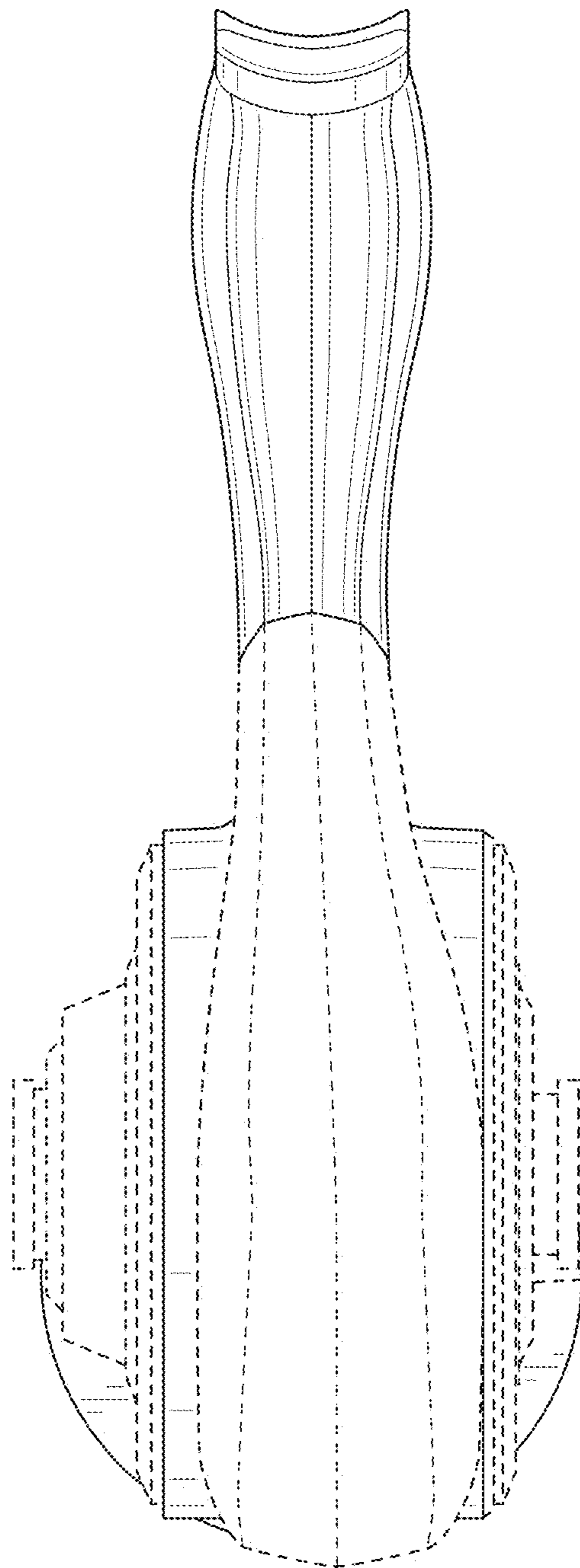


FIG. 3

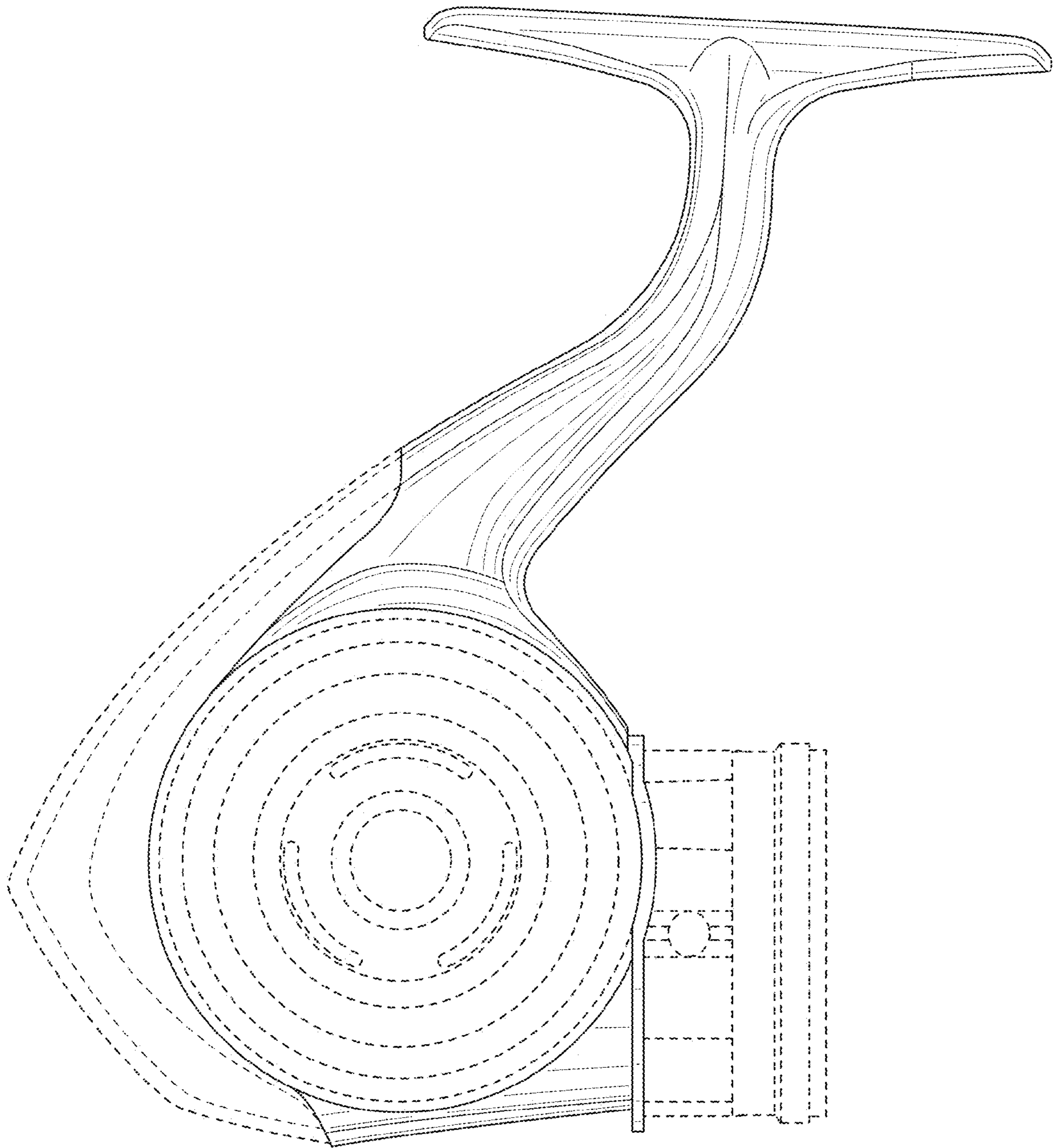


FIG. 4

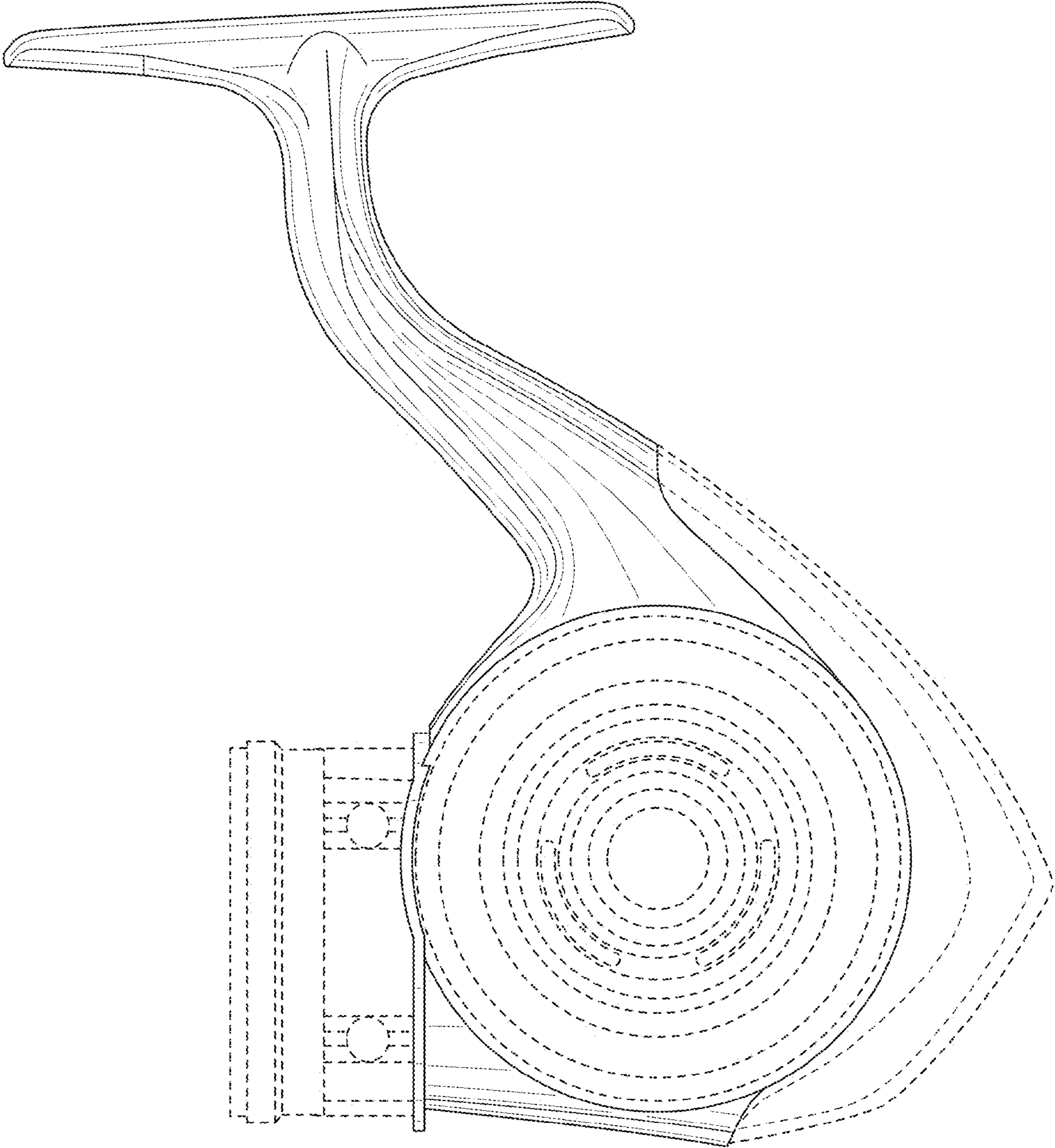


FIG. 5

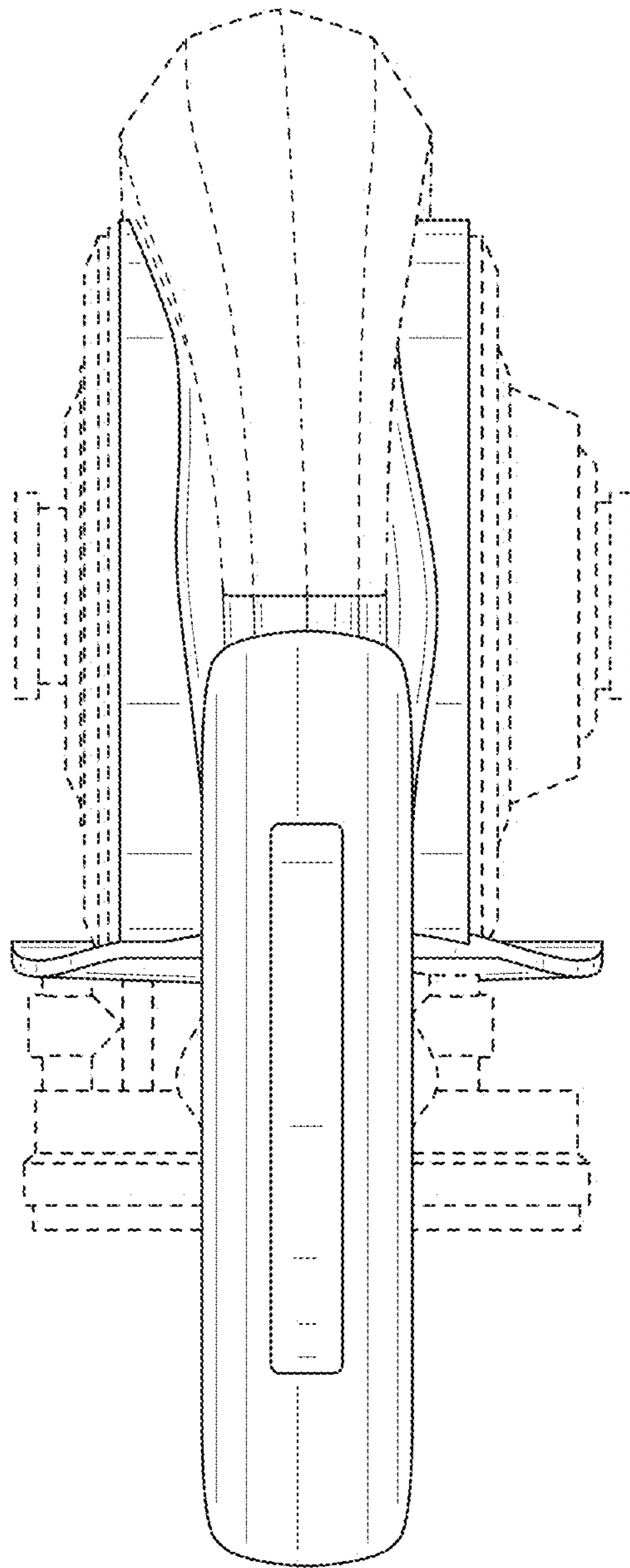


FIG. 6

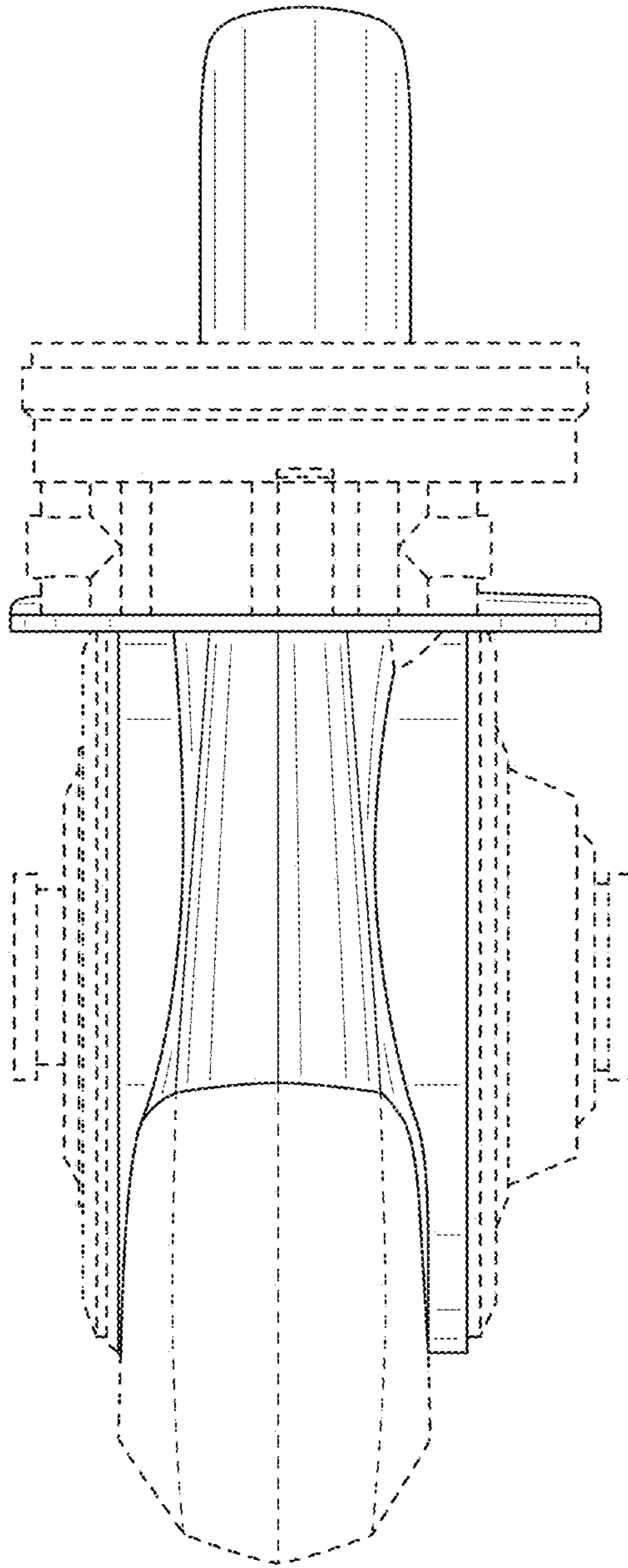


FIG. 7