

US00D943055S

(12) **United States Design Patent**
Spengler et al.

(10) **Patent No.:** **US D943,055 S**

(45) **Date of Patent:** **** Feb. 8, 2022**

(54) **FISHING LURE**

(74) *Attorney, Agent, or Firm* — Husch Blackwell LLP

(71) Applicant: **Pure Fishing, Inc.**, Spirit Lake, IA
(US)

(57) **CLAIM**

(72) Inventors: **Daniel Eric Spengler**, Milford, IA
(US); **Keith Lane Ostrum**, Spirit Lake,
IA (US); **Kelli Marie Lange**, Lake
Park, IA (US)

The ornamental design for a fishing lure, as shown and described.

(73) Assignee: **Pure Fishing, Inc.**, Spirit Lake, IA
(US)

DESCRIPTION

(**) Term: **15 Years**

(21) Appl. No.: **29/723,055**

(22) Filed: **Feb. 4, 2020**

(51) **LOC (13) Cl.** **22-05**

(52) **U.S. Cl.**
USPC **D22/133**

(58) **Field of Classification Search**
USPC D22/126, 131, 133
CPC A01K 83/02; A01K 83/06; A01K 85/00;
A01K 85/005; A01K 85/16; A01K 85/18;
A01K 93/00

See application file for complete search history.

FIG. 1 is a perspective view of a first embodiment of a fishing lure showing the new design;
FIG. 2 is a top plan view of the fishing lure of FIG. 1;
FIG. 3 is a left side elevation view of the fishing lure shown in FIG. 1;
FIG. 4 is a right side elevation view of the fishing lure shown in FIG. 1;
FIG. 5 is a bottom plan view of the fishing lure shown in FIG. 1;
FIG. 6 is a rear elevation view of the fishing lure shown in FIG. 1;
FIG. 7 is a front elevation view of the fishing lure shown in FIG. 1;
FIG. 8 is a perspective view of a second embodiment of a fishing lure showing the new design;
FIG. 9 is a top plan view of the fishing lure of FIG. 8;
FIG. 10 is a left side elevation view of the fishing lure shown in FIG. 8;
FIG. 11 is a right side elevation view of the fishing lure shown in FIG. 8;
FIG. 12 is a bottom plan view of the fishing lure shown in FIG. 8;
FIG. 13 is a front elevation view of the fishing lure shown in FIG. 8; and,
FIG. 14 is a rear elevation view of the fishing lure shown in FIG. 8.

The broken lines in the figures illustrate unclaimed environment and form no part of the claimed design.

(56) **References Cited**

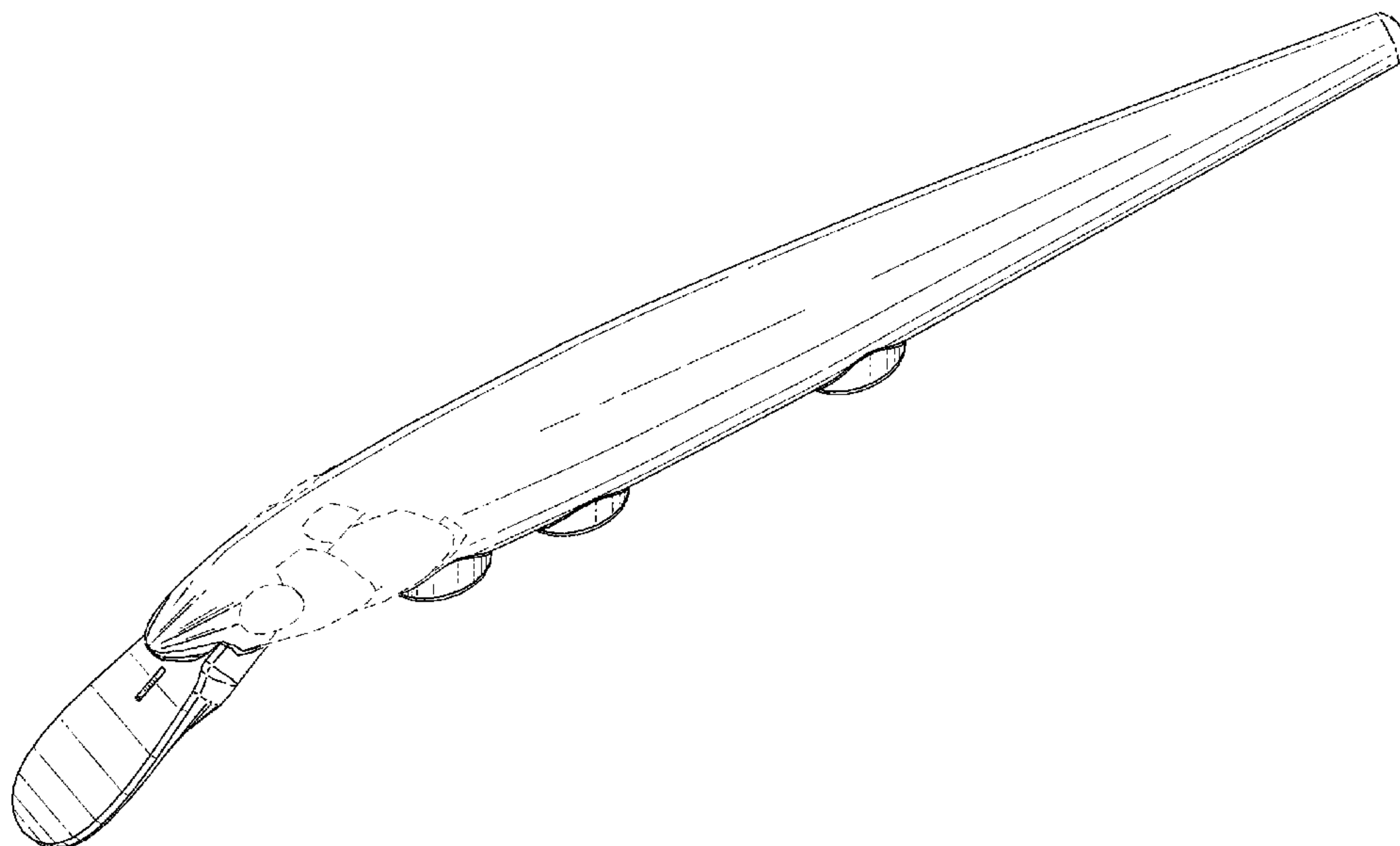
U.S. PATENT DOCUMENTS

D441,790 S *	5/2001	Cox	D19/155
D633,169 S *	2/2011	Somogyi	D22/131
D668,736 S *	10/2012	Ito	D22/131
D692,521 S *	10/2013	Vainio	D22/133
D861,122 S *	9/2019	Spengler	D22/133
D873,375 S *	1/2020	Spengler	D22/133
D891,574 S *	7/2020	Yalowica	D22/133

* cited by examiner

Primary Examiner — Catherine R Oliver-Garcia

1 Claim, 6 Drawing Sheets



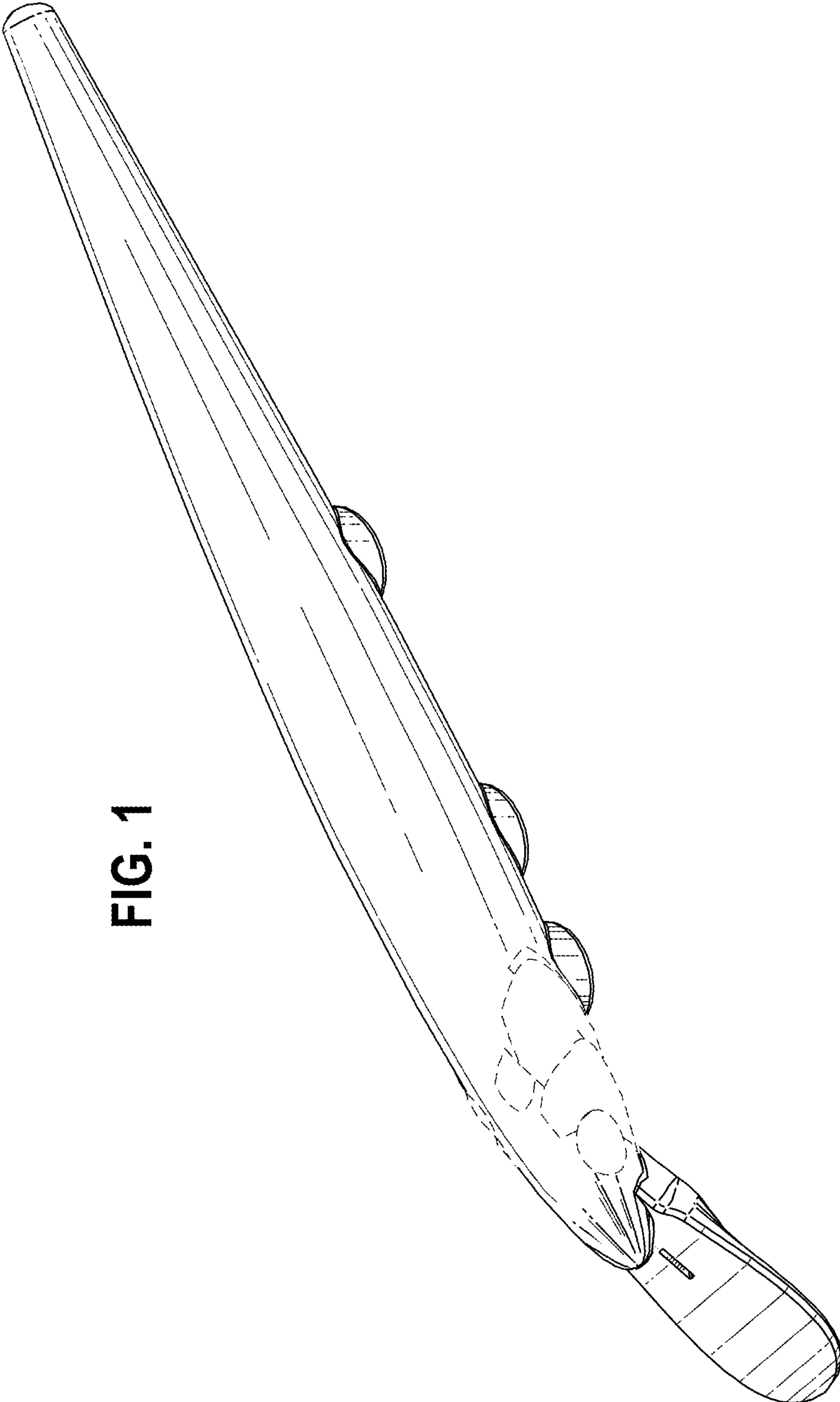


FIG. 1

FIG. 2

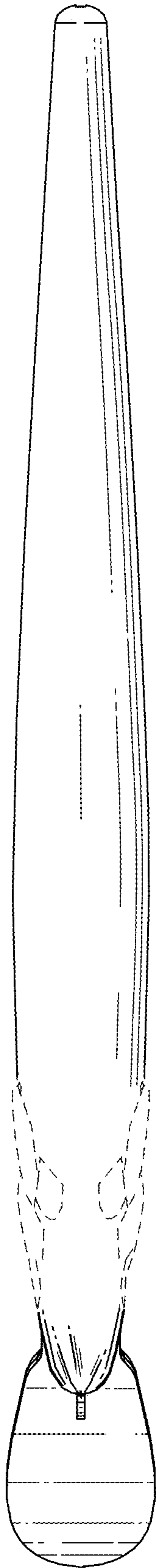


FIG. 3

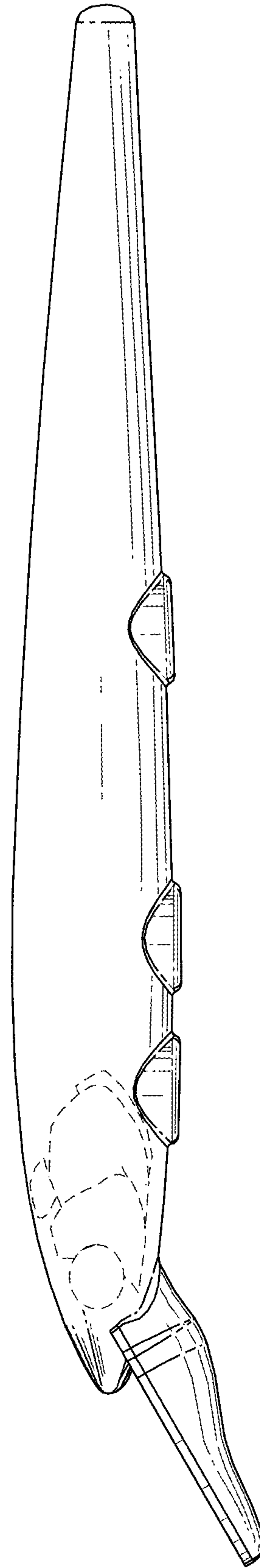


FIG. 4

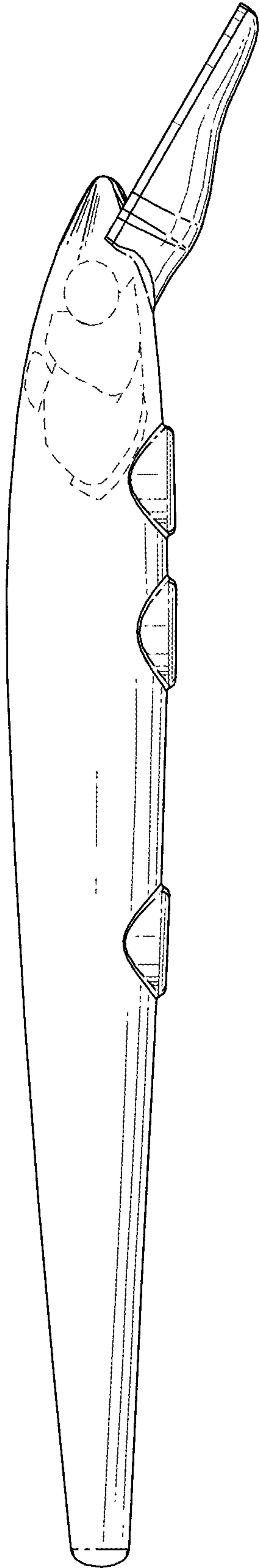


FIG. 5

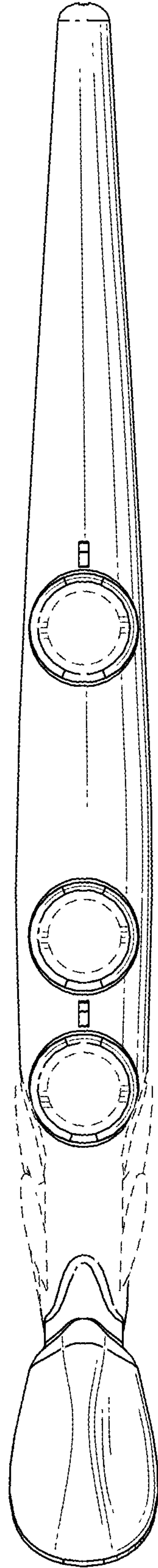


FIG. 6

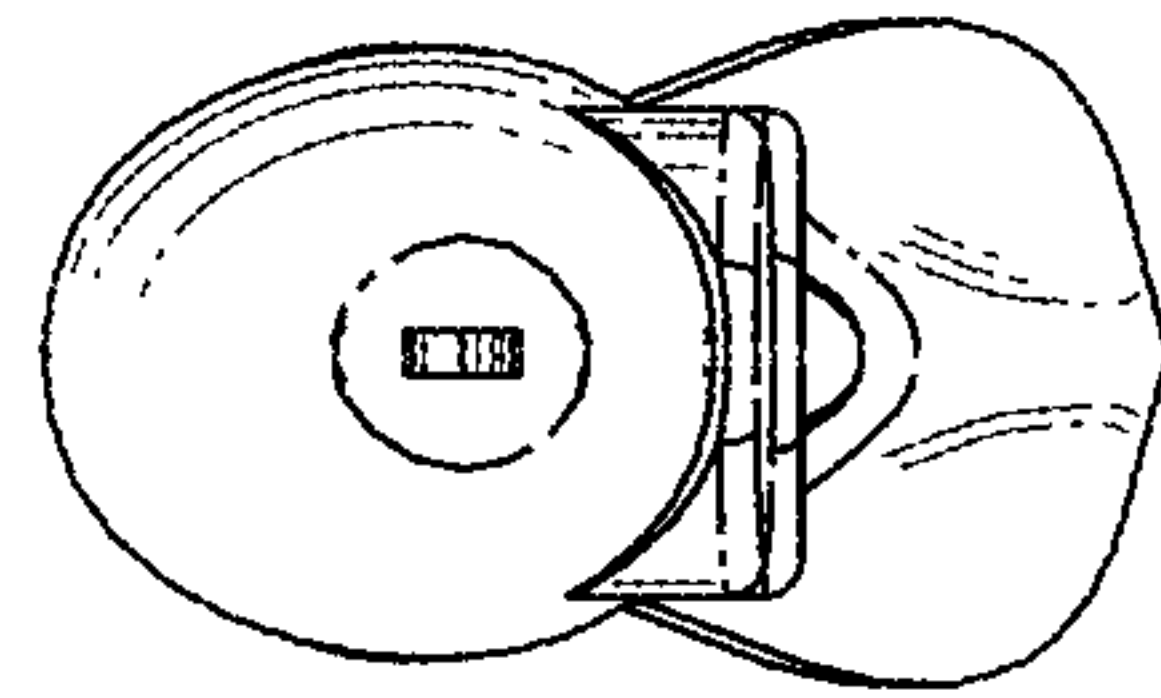
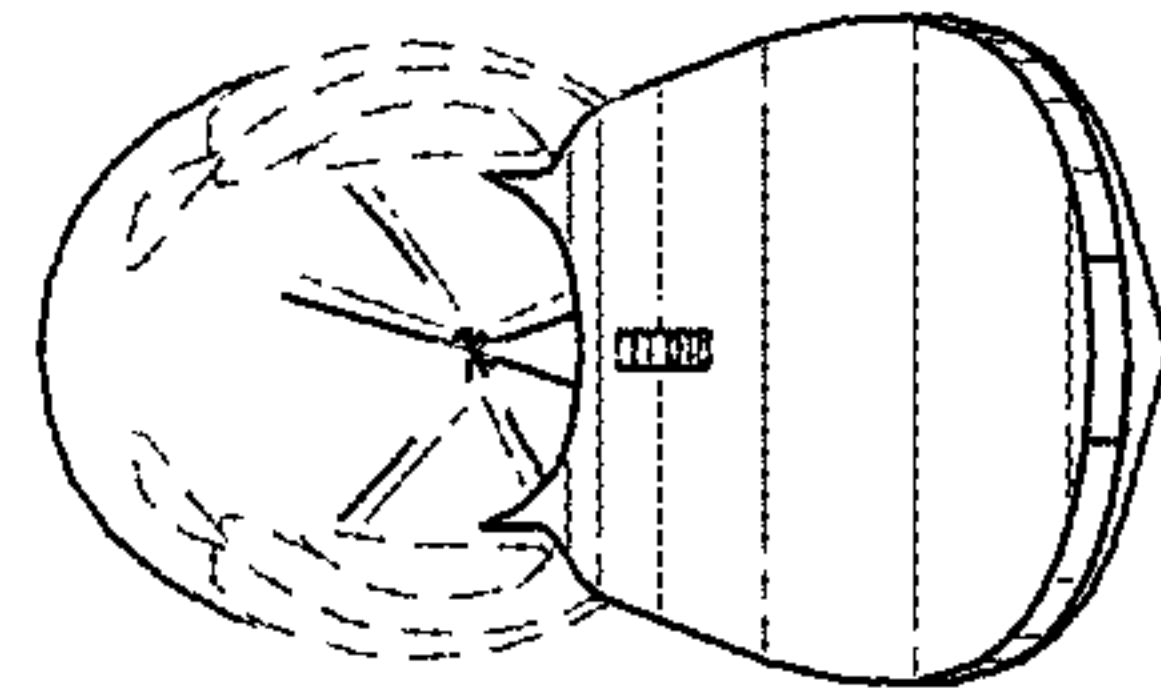


FIG. 7



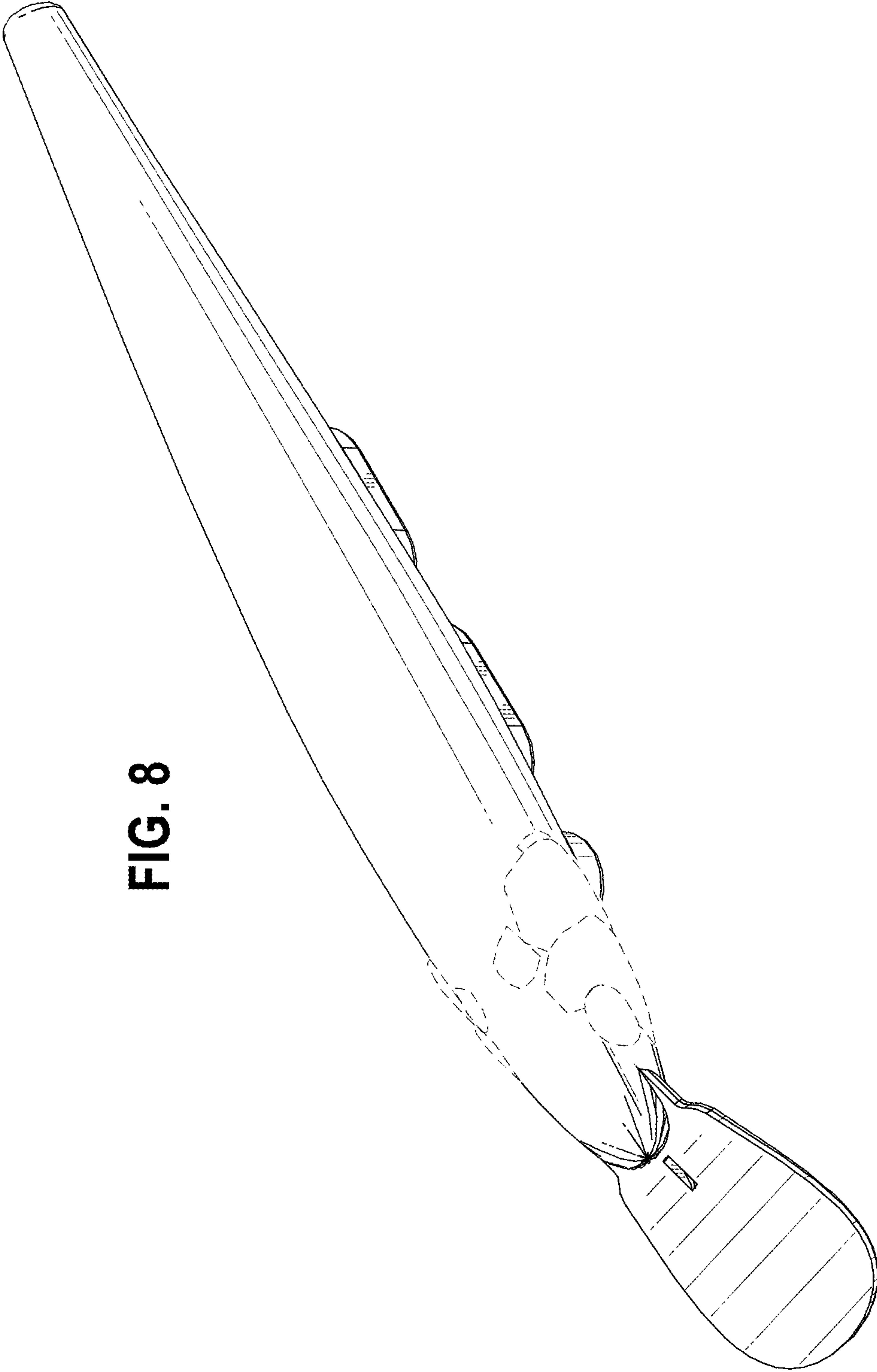


FIG. 8

FIG. 9

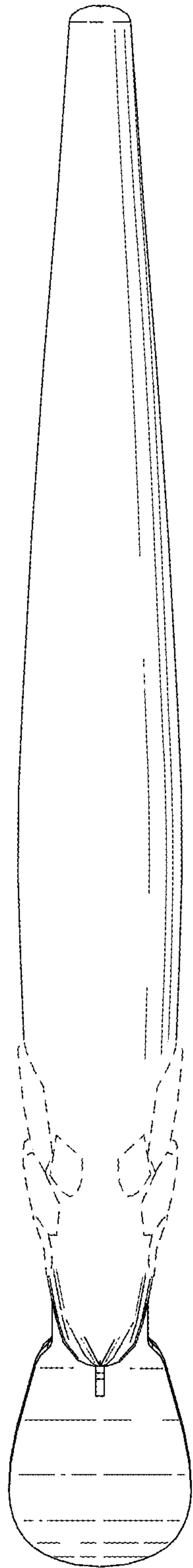


FIG. 10

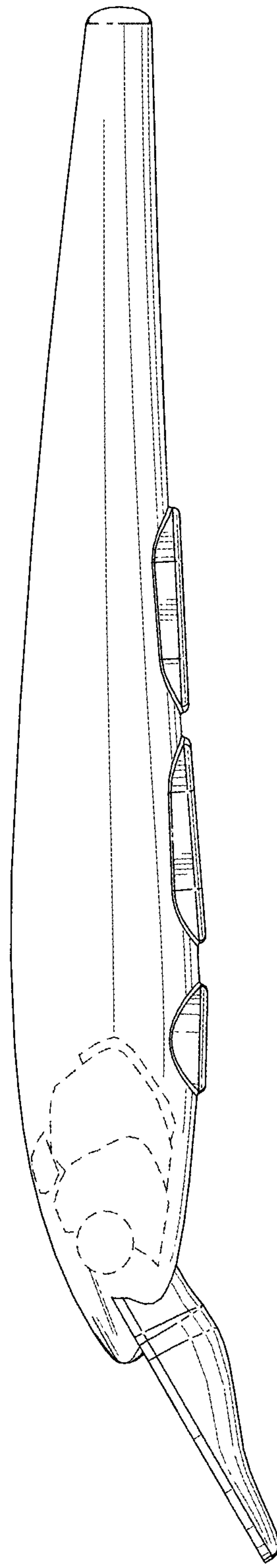


FIG. 11

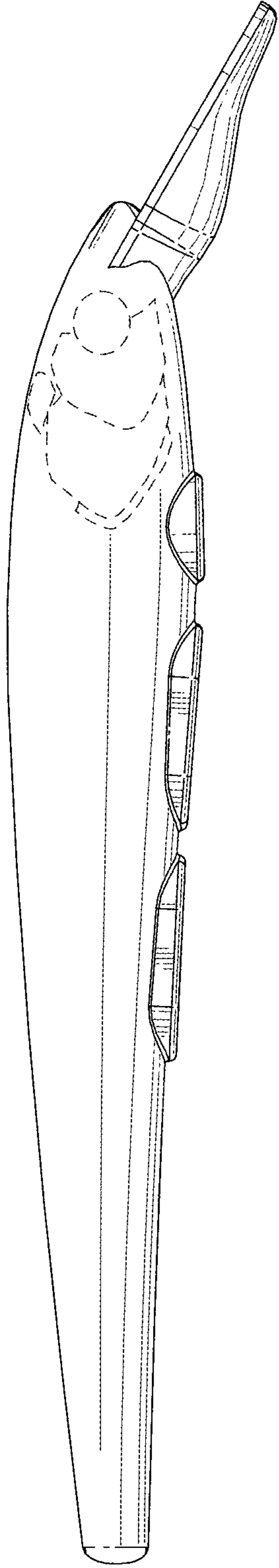


FIG. 12

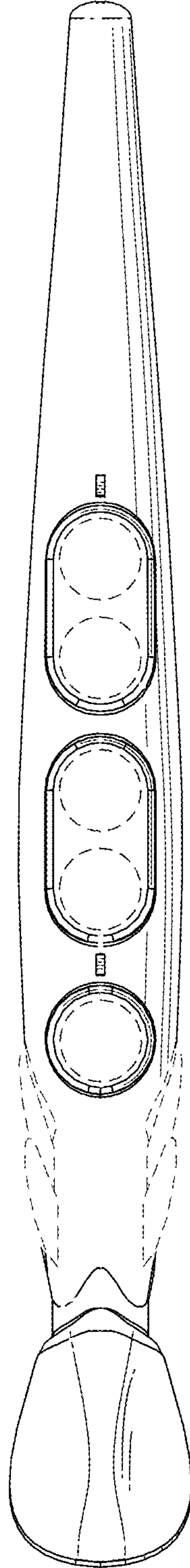


FIG. 14

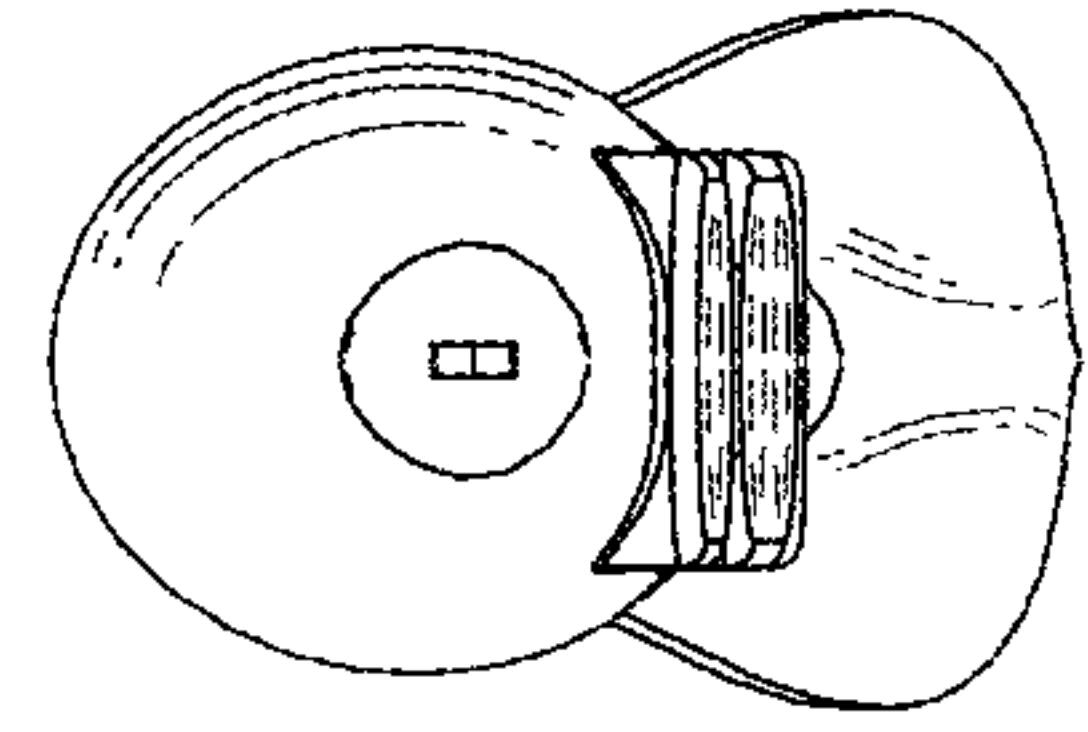


FIG. 13

