



US00D943053S

(12) **United States Design Patent**
Spengler et al.

(10) **Patent No.:** **US D943,053 S**

(45) **Date of Patent:** **** Feb. 8, 2022**

(54) **FISHING LURE**

6,578,313 B1 * 6/2003 Knol A01K 85/16
43/42

(71) Applicant: **Pure Fishing, Inc.**, Spirit Lake, IA
(US)

D668,315 S * 10/2012 Sapienza D22/131
D767,080 S * 9/2016 Vainio D22/133
D891,574 S * 7/2020 Yalowica D22/133

(72) Inventors: **Daniel Eric Spengler**, Milford, IA
(US); **Keith Lane Ostrum**, Spirit Lake,
IA (US); **Kelli Marie Lange**, Lake
Park, IA (US)

* cited by examiner

Primary Examiner — Catherine R Oliver-Garcia
(74) *Attorney, Agent, or Firm* — Husch Blackwell LLP

(73) Assignee: **Pure Fishing, Inc.**, Spirit Lake, IA
(US)

(57) **CLAIM**

The ornamental design for a fishing lure, as shown and described.

(**) Term: **15 Years**

(21) Appl. No.: **29/723,032**

DESCRIPTION

(22) Filed: **Feb. 4, 2020**

(51) **LOC (13) Cl.** **22-05**

(52) **U.S. Cl.**
USPC **D22/133**

(58) **Field of Classification Search**
USPC D22/126, 131, 133
CPC A01K 83/02; A01K 83/06; A01K 85/00;
A01K 85/005; A01K 85/16; A01K 85/18;
A01K 93/00

FIG. 1 is a perspective view of a fishing lure showing the new design;
FIG. 2 is a top plan view of the fishing lure of FIG. 1;
FIG. 3 is a left side elevation view of the fishing lure shown in FIG. 1;
FIG. 4 is a right side elevation view of the fishing lure shown in FIG. 1;
FIG. 5 is a bottom plan view of the fishing lure shown in FIG. 1;
FIG. 6 is a rear elevation view of the fishing lure shown in FIG. 1; and,
FIG. 7 is a front elevation view of the fishing lure shown in FIG. 1.

See application file for complete search history.

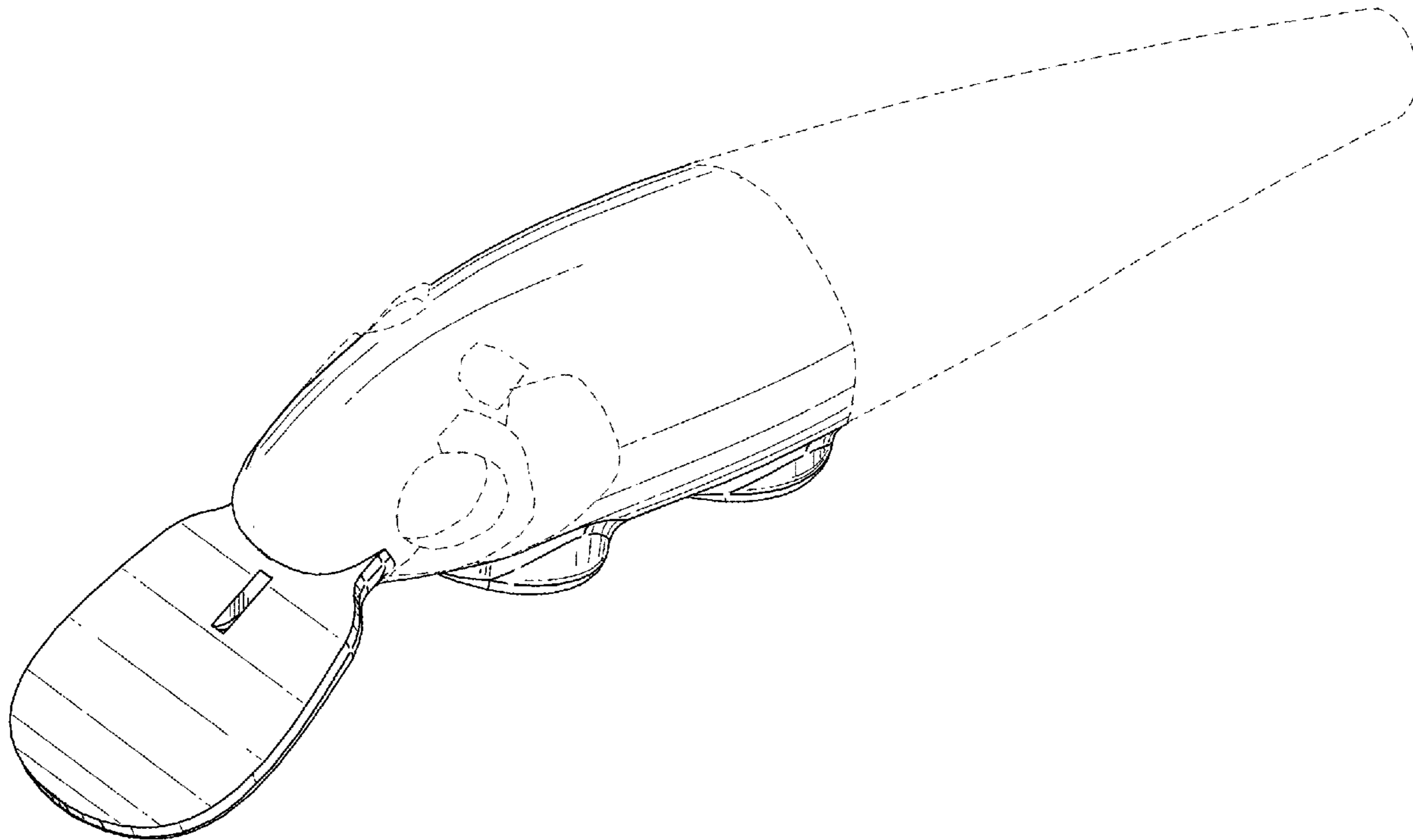
The broken lines in the figures illustrate unclaimed environment and form no part of the claimed design.

(56) **References Cited**

U.S. PATENT DOCUMENTS

2,499,718 A * 3/1950 Boshears A01K 85/16
43/42.44
D435,082 S * 12/2000 Tsutsumi D22/131

1 Claim, 4 Drawing Sheets



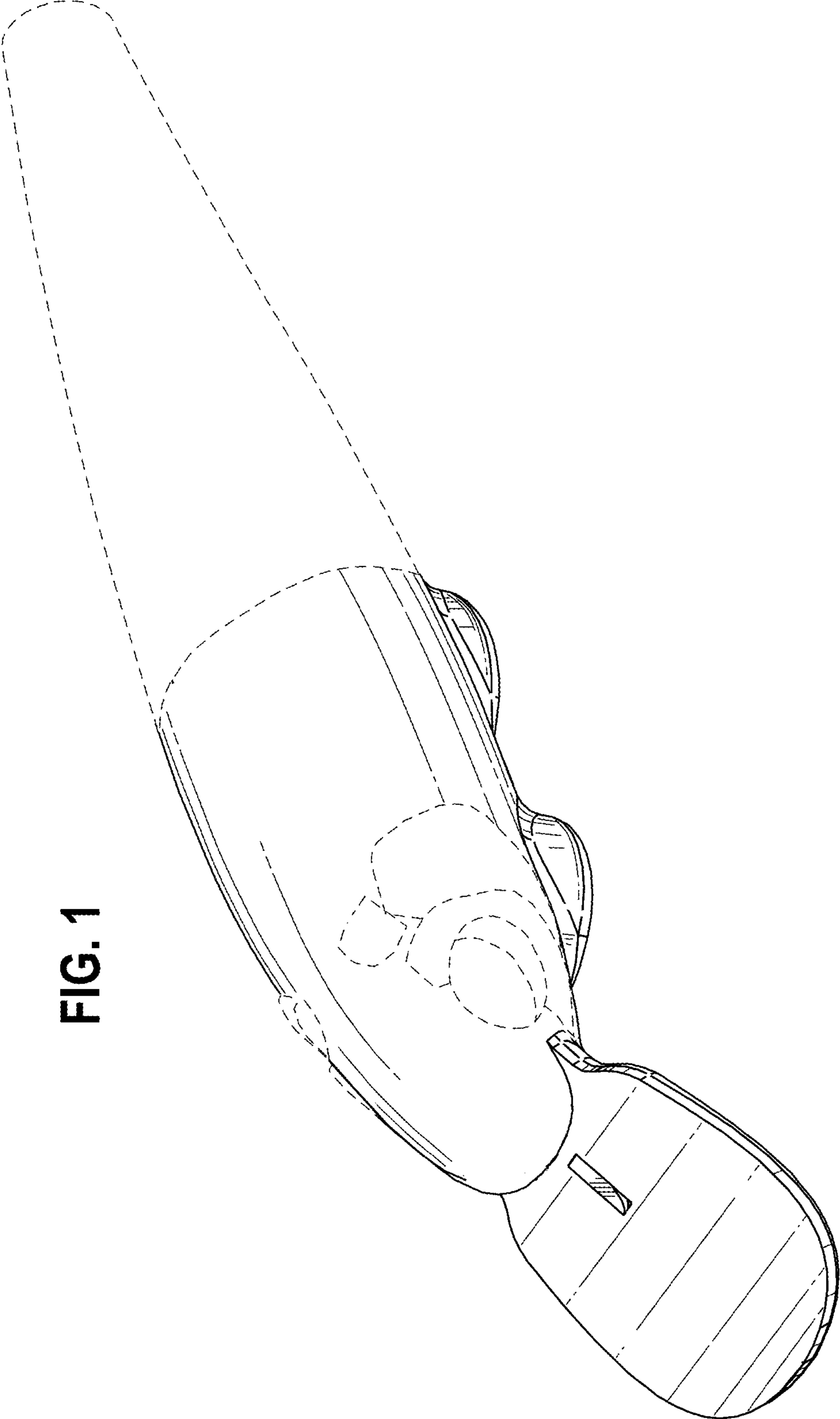


FIG. 1

FIG. 2

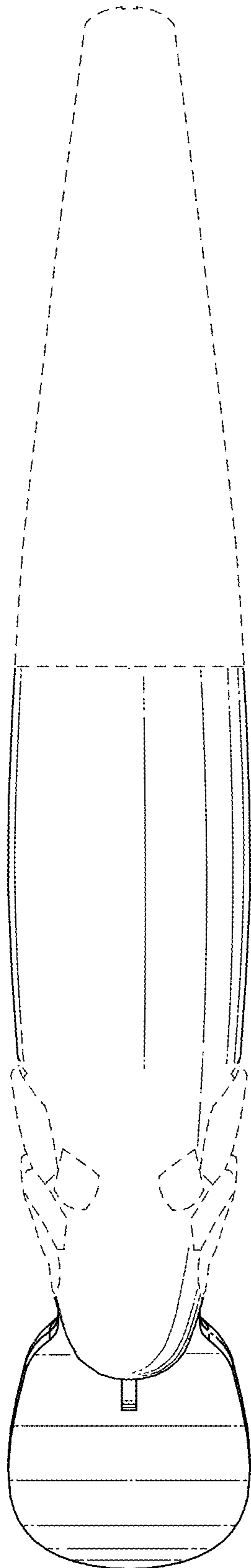
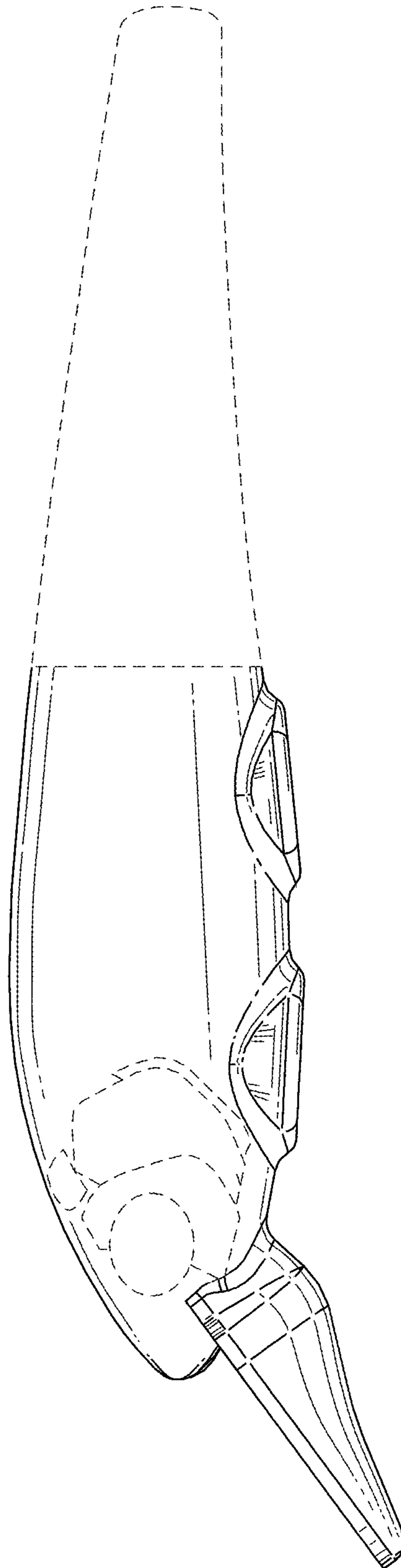


FIG. 3



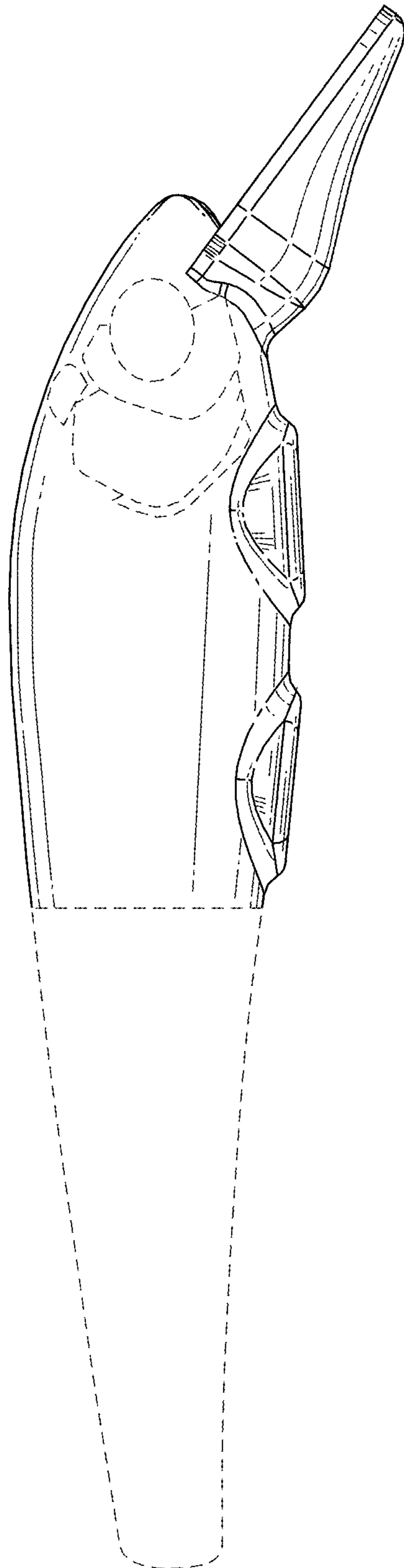


FIG. 4

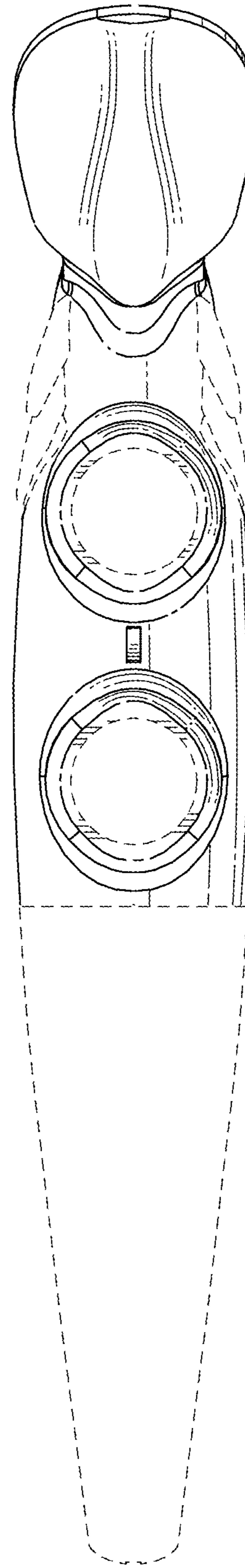


FIG. 5

FIG. 7

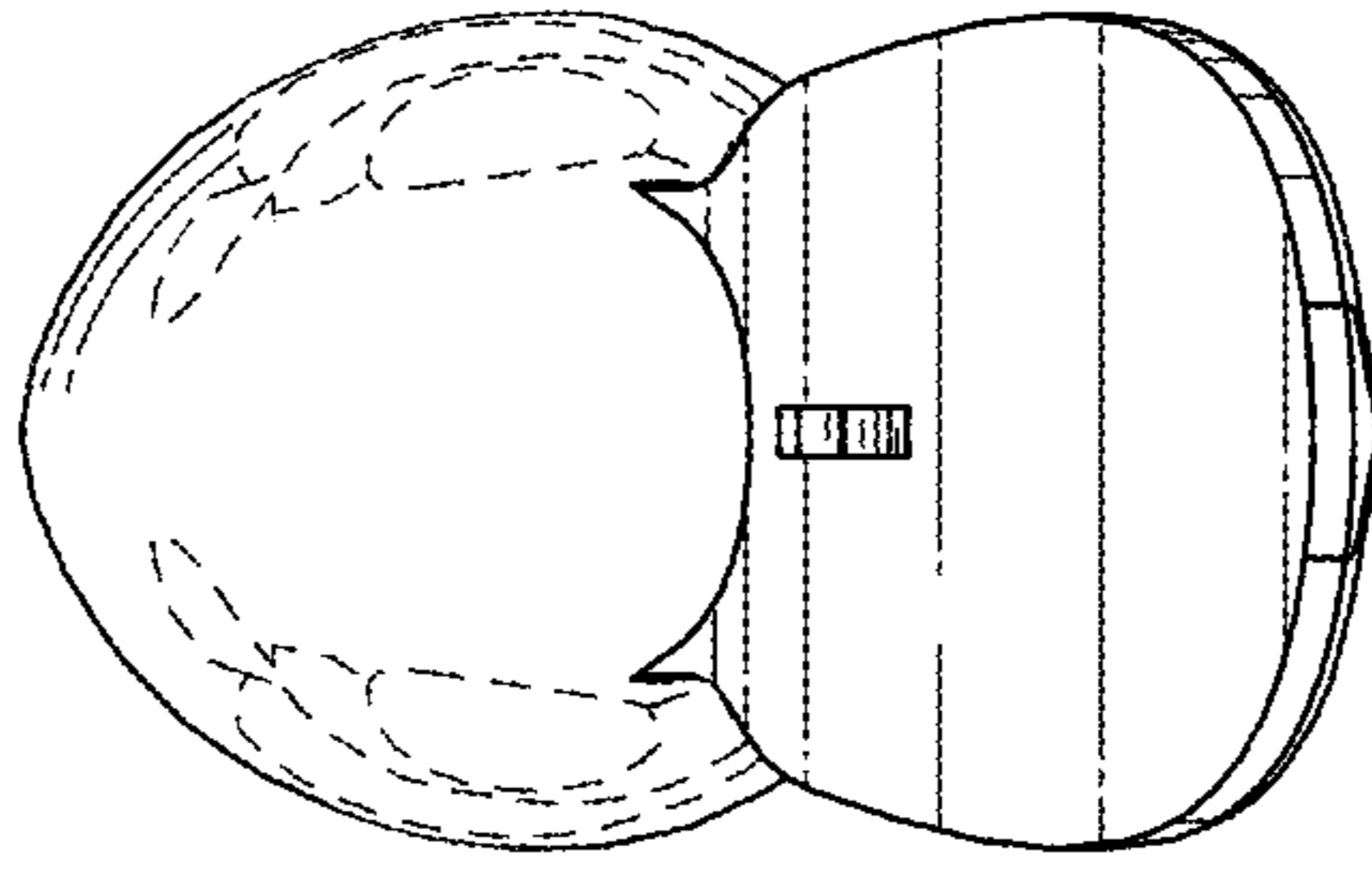


FIG. 6

