



US00D943051S

(12) **United States Design Patent**
Spengler et al.

(10) **Patent No.:** **US D943,051 S**
(45) **Date of Patent:** **** Feb. 8, 2022**

(54) **FISHING LURE**

- (71) Applicant: **Pure Fishing, Inc.**, Spirit Lake, IA (US)
- (72) Inventors: **Daniel Eric Spengler**, Milford, IA (US); **Keith Lane Ostrum**, Spirit Lake, IA (US); **Kelli Marie Lange**, Lake Park, IA (US)
- (73) Assignee: **Pure Fishing, Inc.**, Spirit Lake, IA (US)
- (**) Term: **15 Years**
- (21) Appl. No.: **29/723,025**
- (22) Filed: **Feb. 4, 2020**
- (51) **LOC (13) Cl.** **22-05**
- (52) **U.S. Cl.**
USPC **D22/133**
- (58) **Field of Classification Search**
USPC D22/126, 131, 133
(Continued)

(56) **References Cited**

U.S. PATENT DOCUMENTS

- 2,499,718 A * 3/1950 Boshears A01K 85/16
43/42.44
- 2,875,549 A * 3/1959 O'Sullivan A01K 85/16
43/42.22

(Continued)

OTHER PUBLICATIONS

Strike King KVD Square Bill Silent Crankbait . . . <https://www.basspro.com/shop/en/strike-king-kvd-square-bill-silent-crankbait> (Year: 2010).*

Primary Examiner — Catherine R Oliver-Garcia

(74) *Attorney, Agent, or Firm* — Husch Blackwell LLP

(57) **CLAIM**

The ornamental design for a fishing lure, as shown and described.

DESCRIPTION

FIG. 1 is a perspective view of a first embodiment of a fishing lure showing the new design;
 FIG. 2 is a bottom plan view of the fishing lure of FIG. 1;
 FIG. 3 is a right side elevation view of the fishing lure shown in FIG. 1;
 FIG. 4 is a left side elevation view of the fishing lure shown in FIG. 1;
 FIG. 5 is a top plan view of the fishing lure shown in FIG. 1;
 FIG. 6 is a front elevation view of the fishing lure shown in FIG. 1;
 FIG. 7 is a rear elevation view of the fishing lure shown in FIG. 1;
 FIG. 8 is a perspective view of a second embodiment of a fishing lure showing the new design;
 FIG. 9 is a bottom plan view of the fishing lure of FIG. 8;
 FIG. 10 is a right side elevation view of the fishing lure shown in FIG. 8;
 FIG. 11 is a left side elevation view of the fishing lure shown in FIG. 8;
 FIG. 12 is a top plan view of the fishing lure shown in FIG. 8;
 FIG. 13 is a front elevation view of the fishing lure shown in FIG. 8;
 FIG. 14 is a rear elevation view of the fishing lure shown in FIG. 8;
 FIG. 15 is a perspective view of a third embodiment of a fishing lure showing the new design;
 FIG. 16 is a bottom plan view of the fishing lure of FIG. 15;
 FIG. 17 is a right side elevation view of the fishing lure shown in FIG. 15;
 FIG. 18 is a left side elevation view of the fishing lure shown in FIG. 15;
 FIG. 19 is a top plan view of the fishing lure shown in FIG. 15;
 FIG. 20 is a front elevation view of the fishing lure shown in FIG. 15; and,

(Continued)

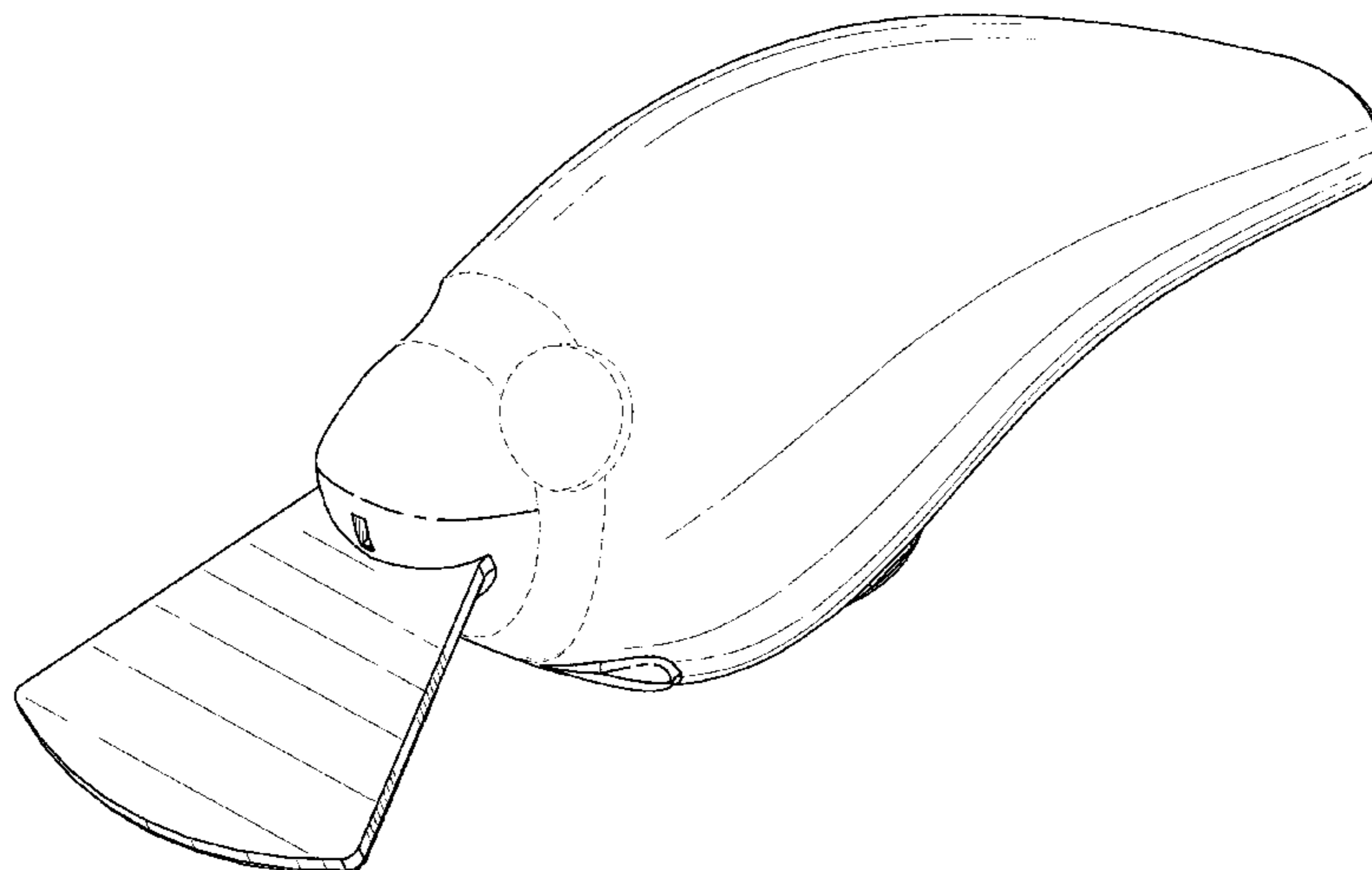


FIG. 21 is a rear elevation view of the fishing lure shown in FIG. 15.

The broken lines in the figures illustrate unclaimed environment and form no part of the claimed design.

1 Claim, 12 Drawing Sheets

(58) **Field of Classification Search**

CPC A01K 83/02; A01K 85/00; A01K 85/005;
A01K 85/16; A01K 85/18; A01K 93/00
See application file for complete search history.

(56) **References Cited**

U.S. PATENT DOCUMENTS

4,380,132	A *	4/1983	Atkinson	A01K 85/01 43/26.2
4,733,491	A *	3/1988	Wilson	A01K 85/16 43/42.33
D338,256	S *	8/1993	Driscoll	D22/126
5,600,916	A *	2/1997	Smith	A01K 85/16 43/42.31
D511,367	S *	11/2005	Bowling	D22/126
D624,146	S *	9/2010	Minkler	D22/126
D713,926	S *	9/2014	Vainio	D22/133
D781,995	S *	3/2017	Evans, Jr.	D22/133
D837,932	S *	1/2019	Brink	A01K 85/00 D22/133

* cited by examiner

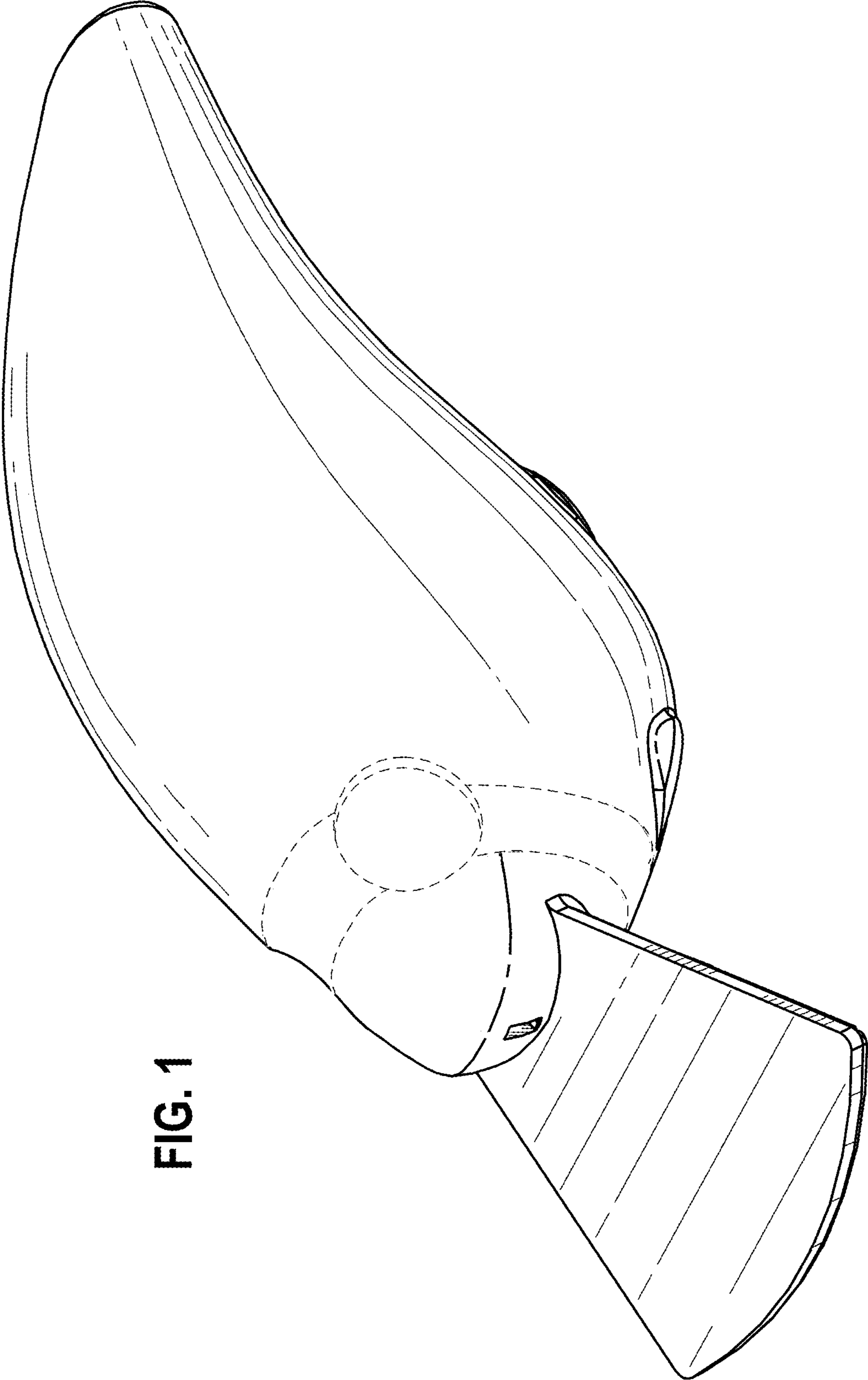


FIG. 1

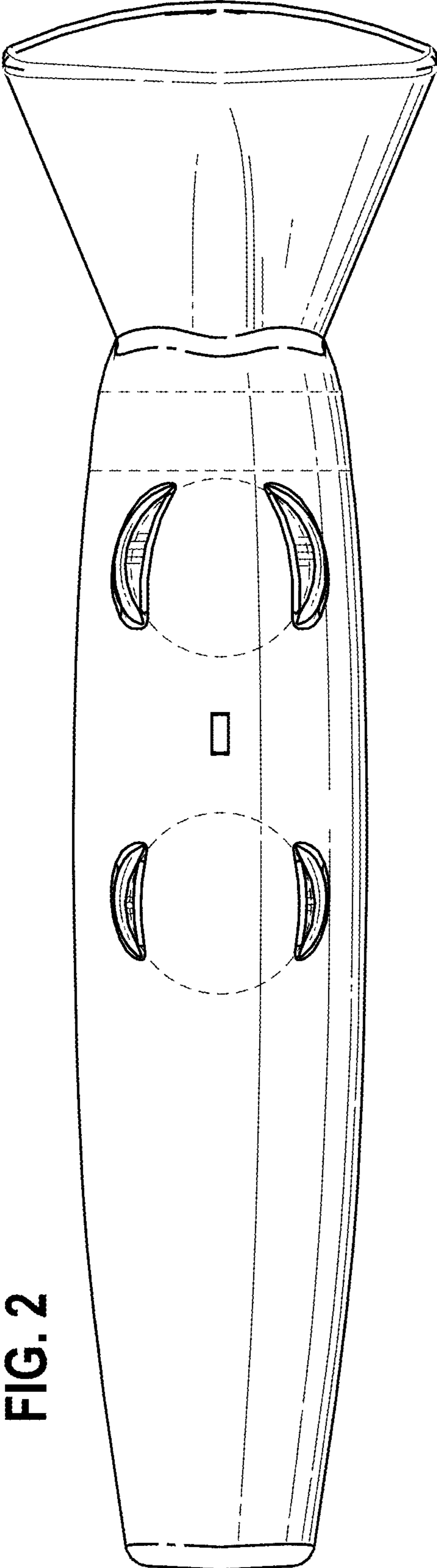


FIG. 2

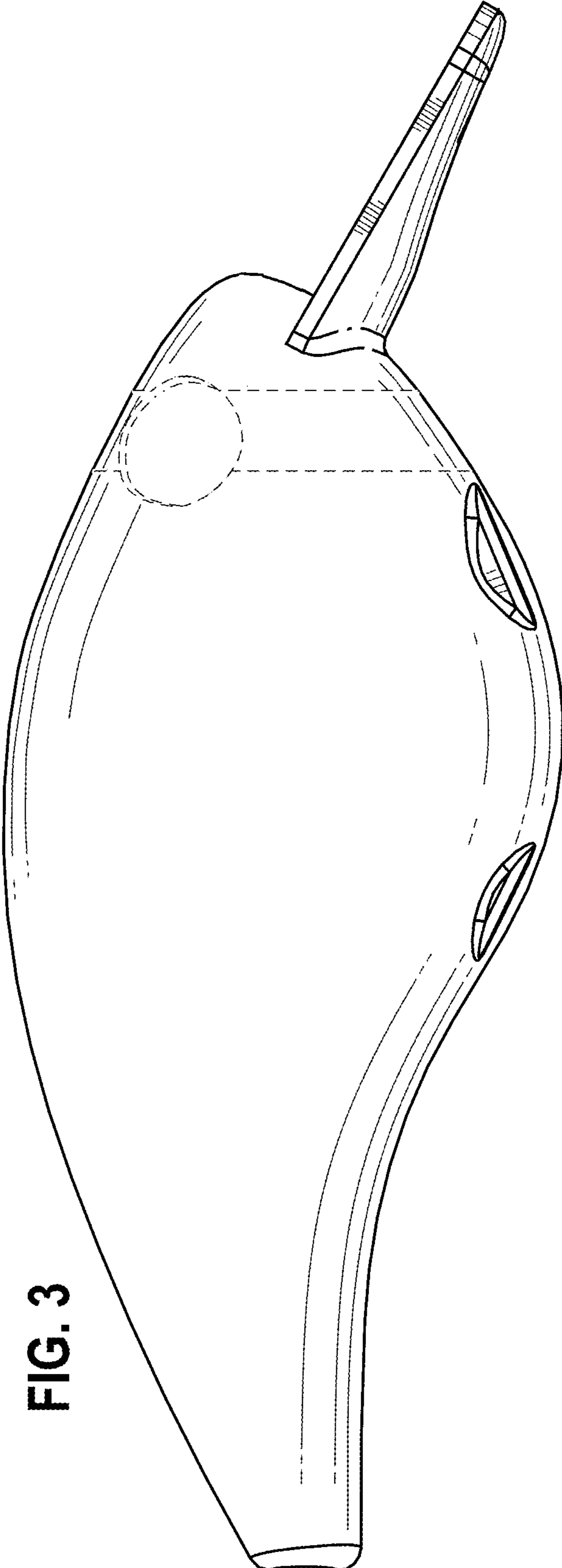


FIG. 3



FIG. 4

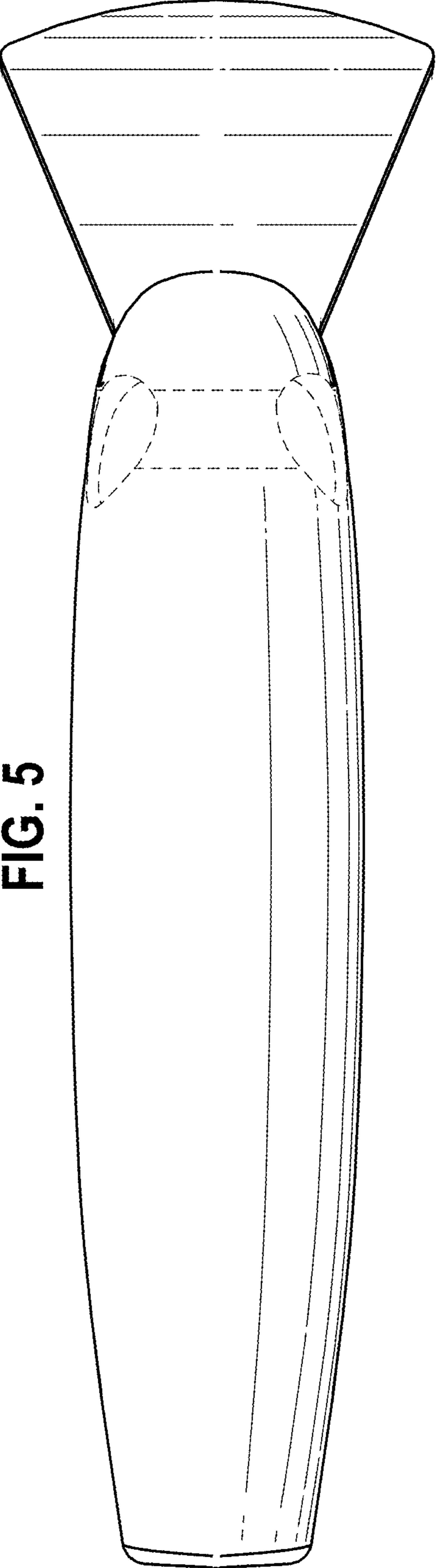


FIG. 5

FIG. 7

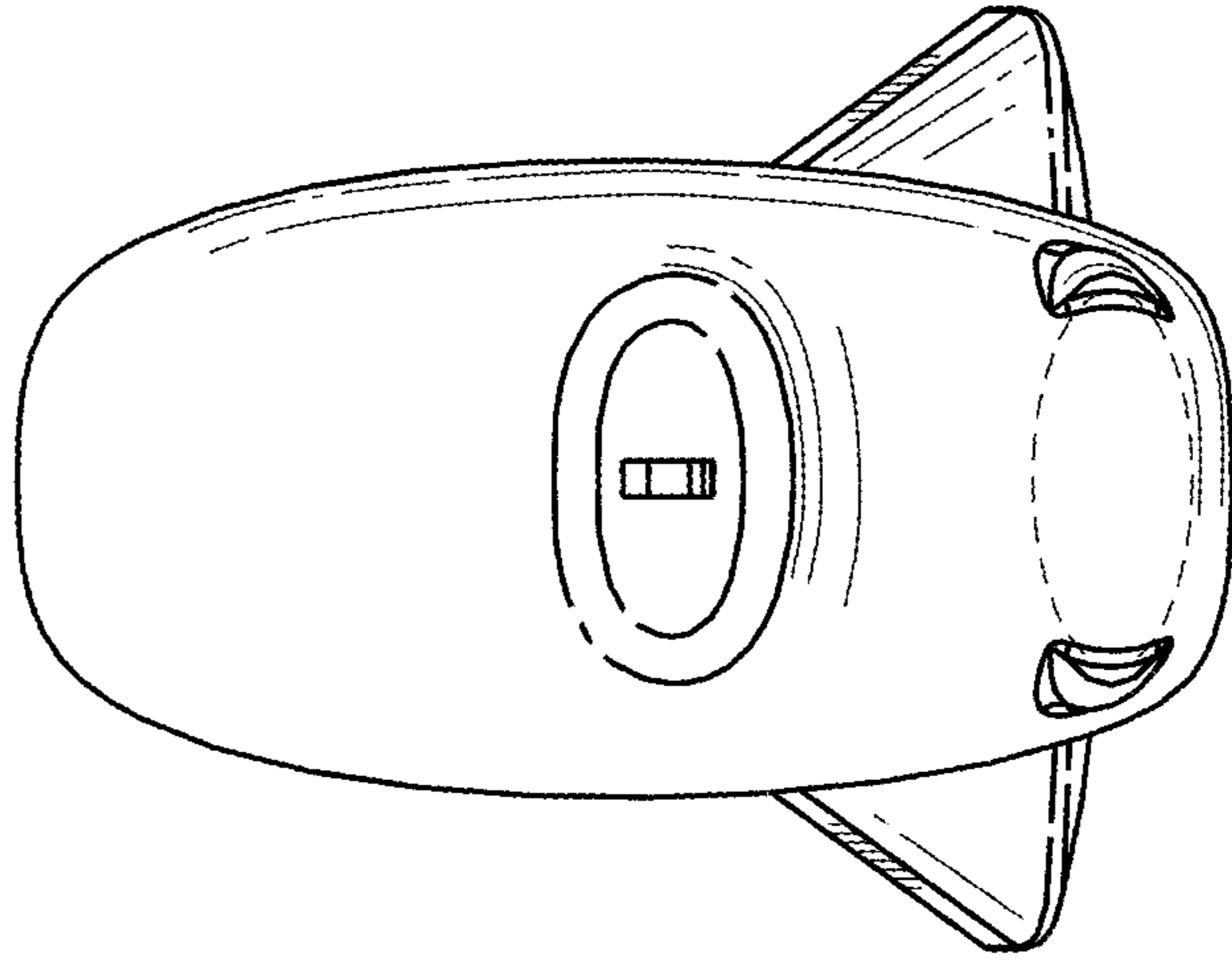
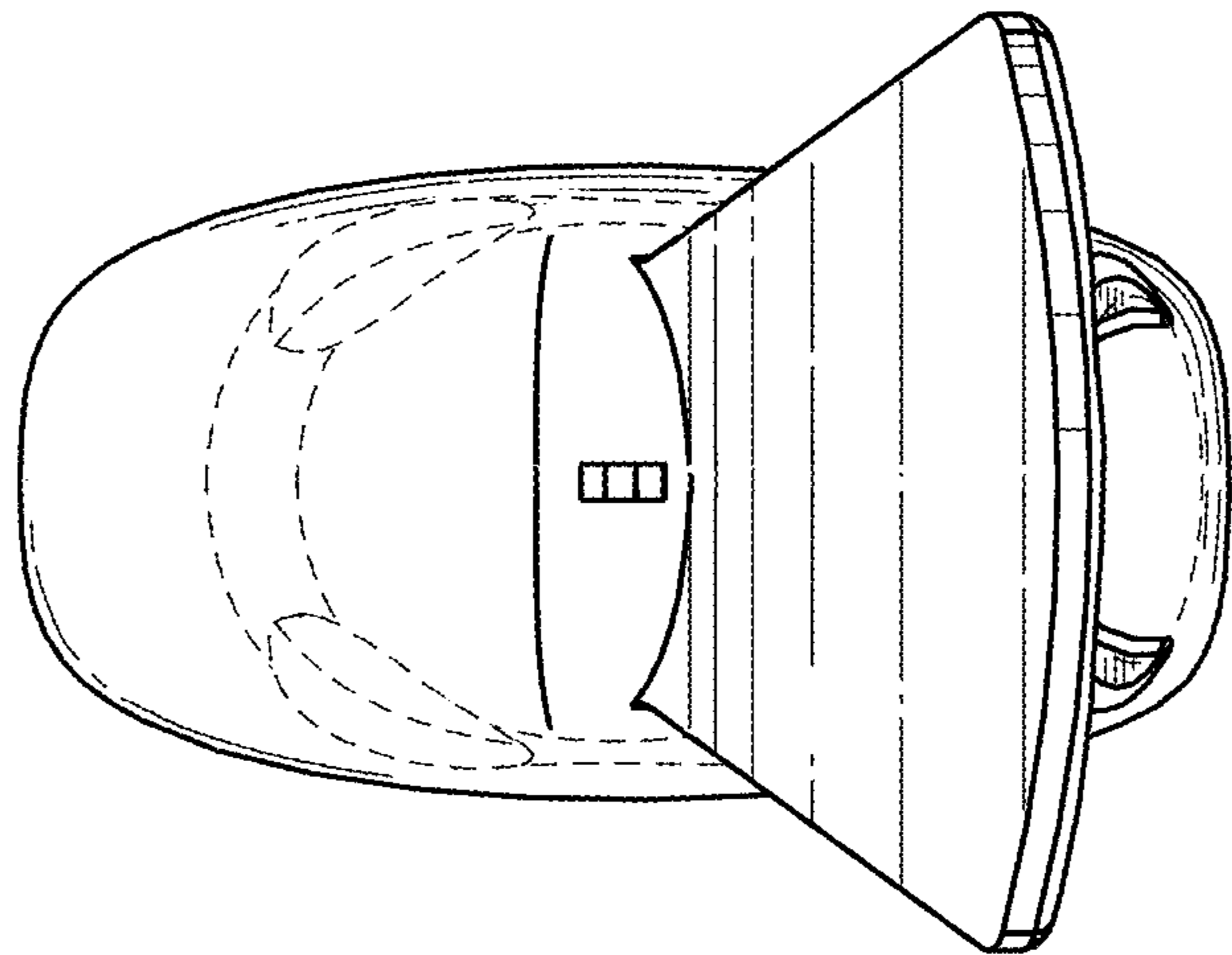


FIG. 6



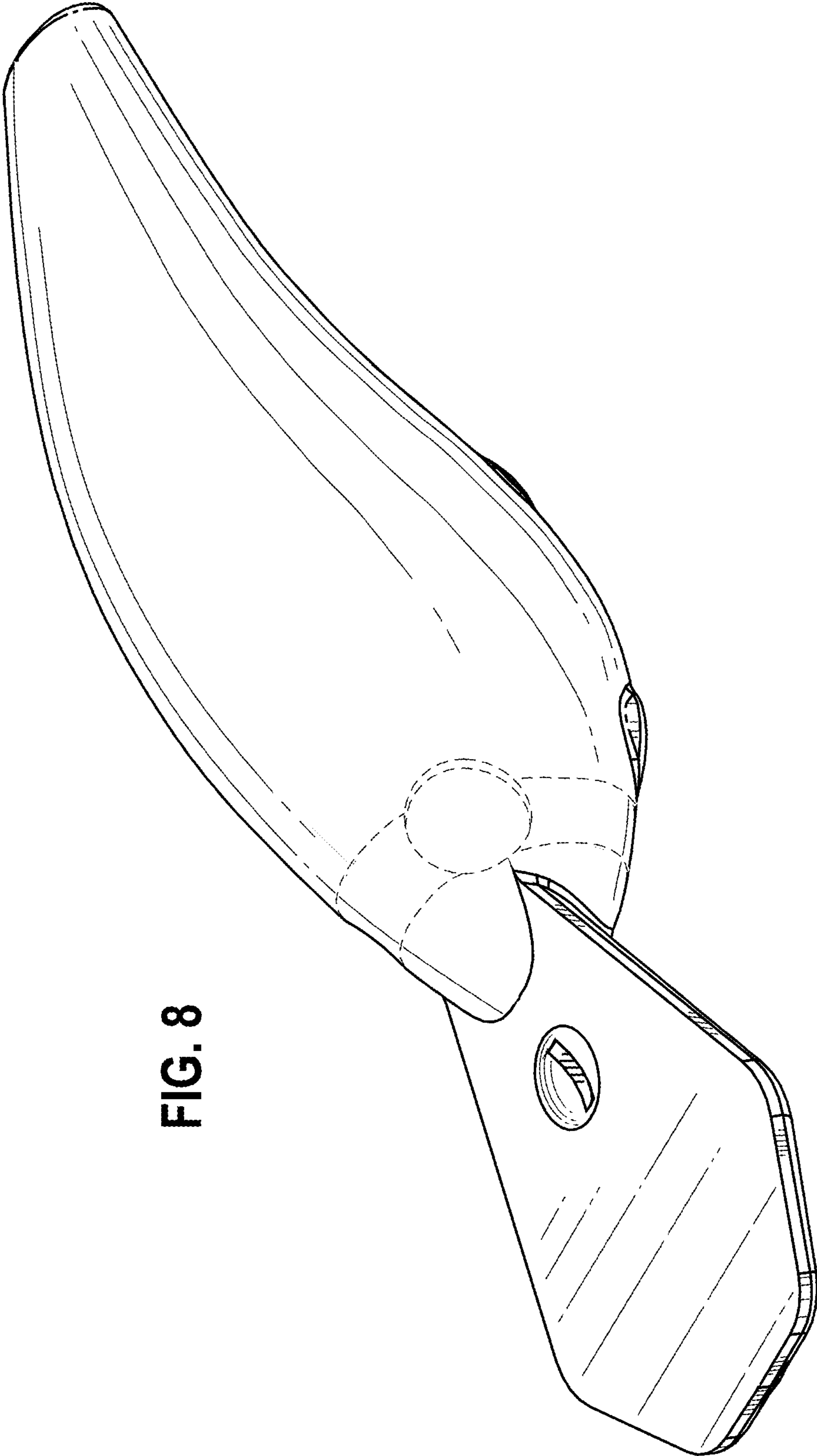


FIG. 8

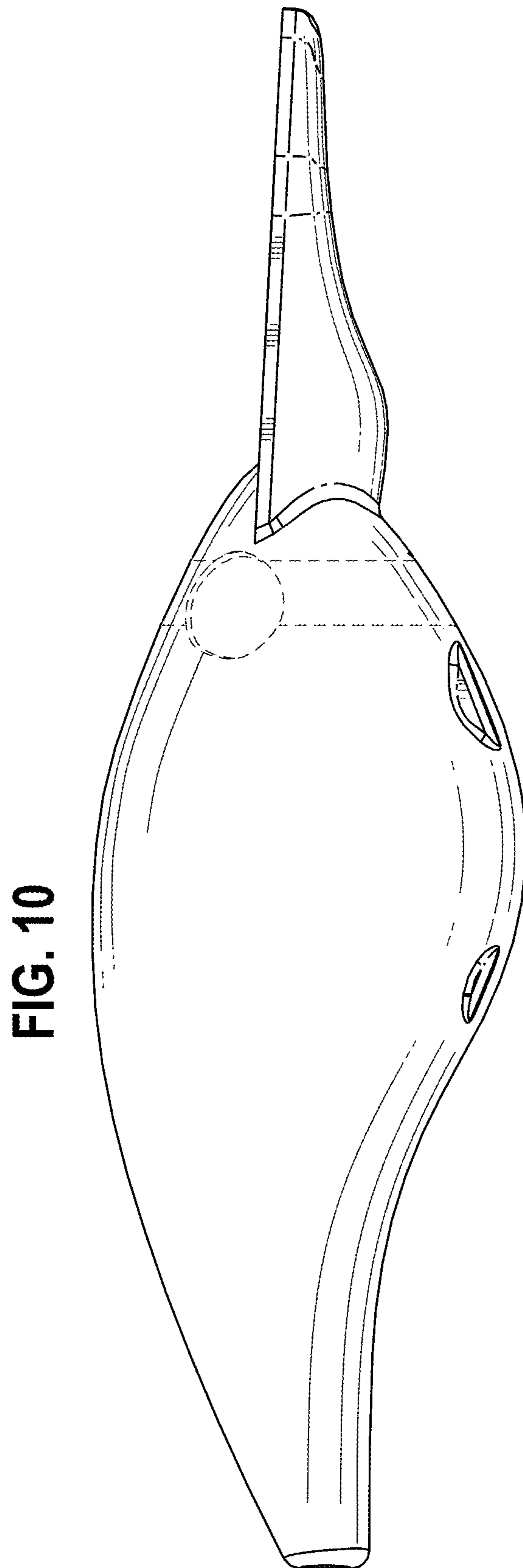
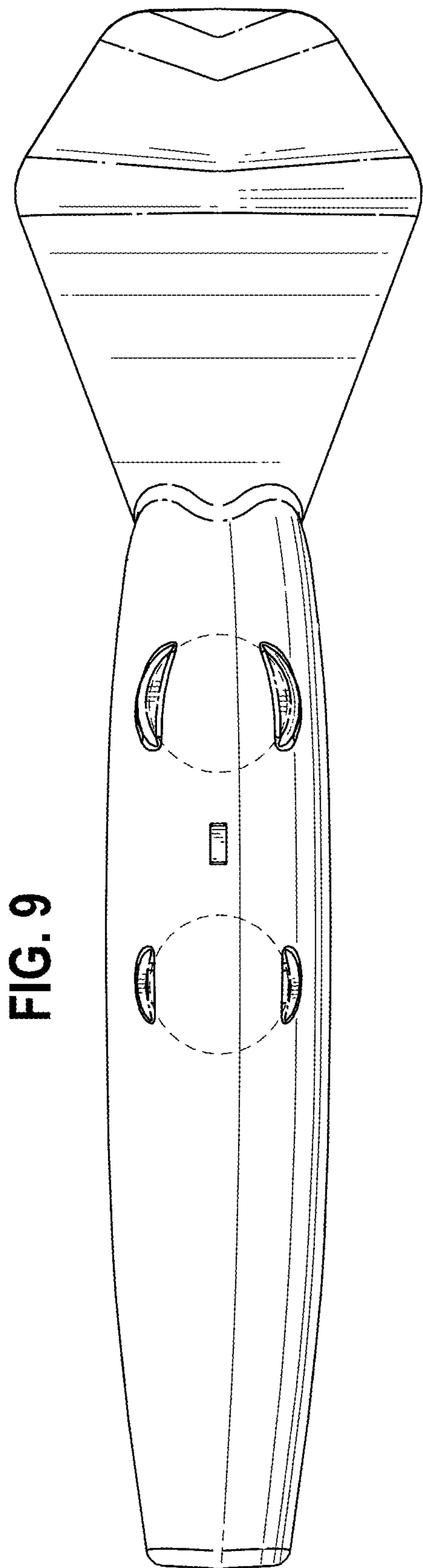


FIG. 11

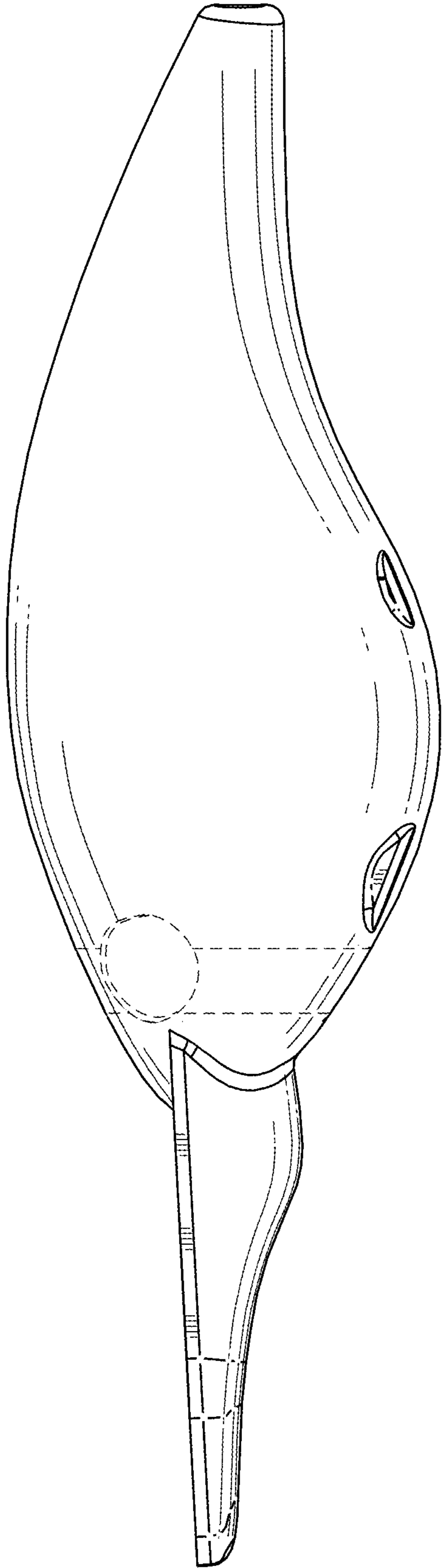


FIG 12

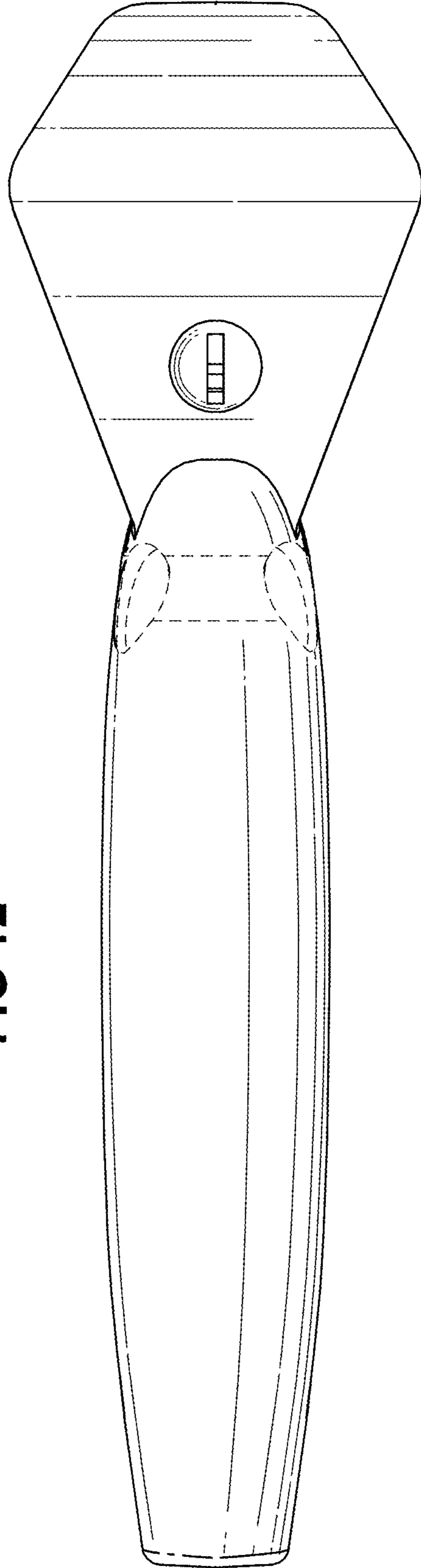


FIG. 14

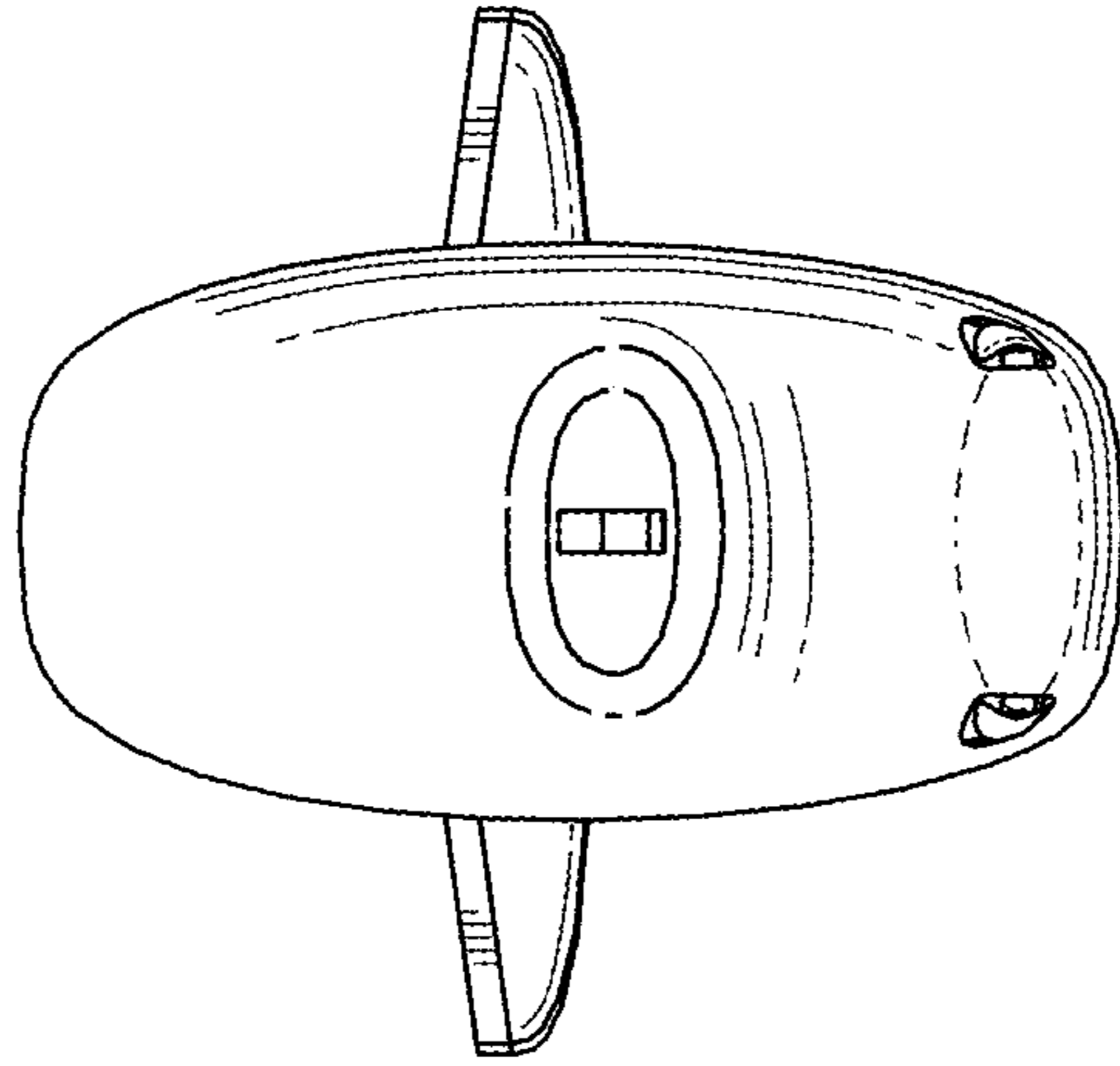
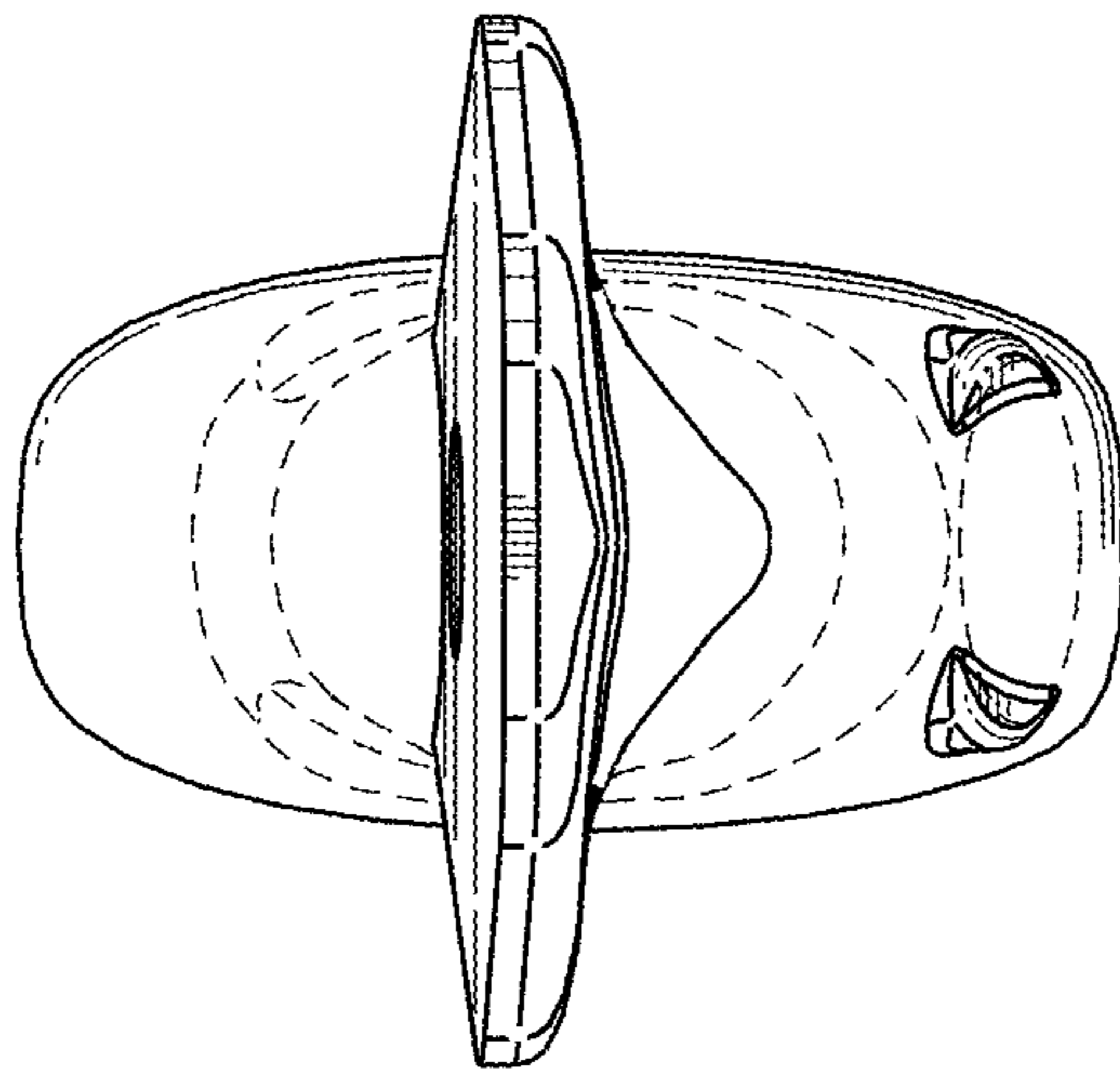


FIG. 13



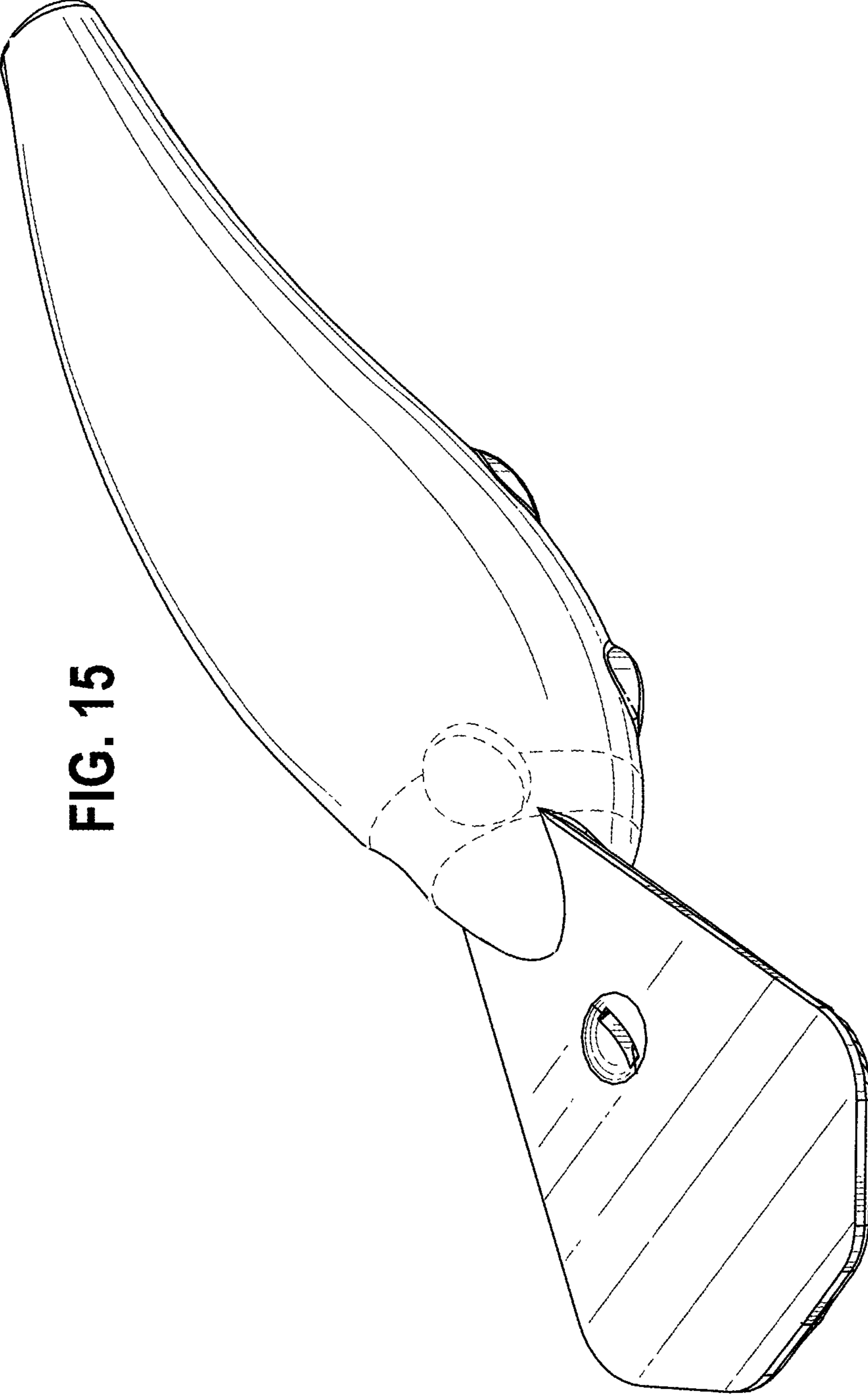


FIG. 15

FIG. 16

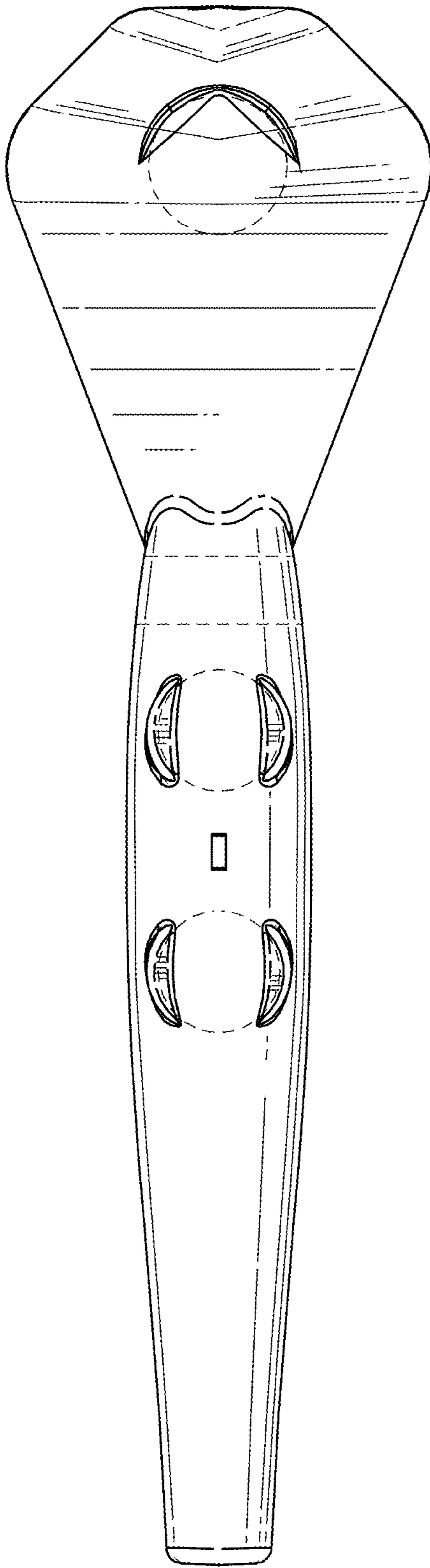


FIG. 17

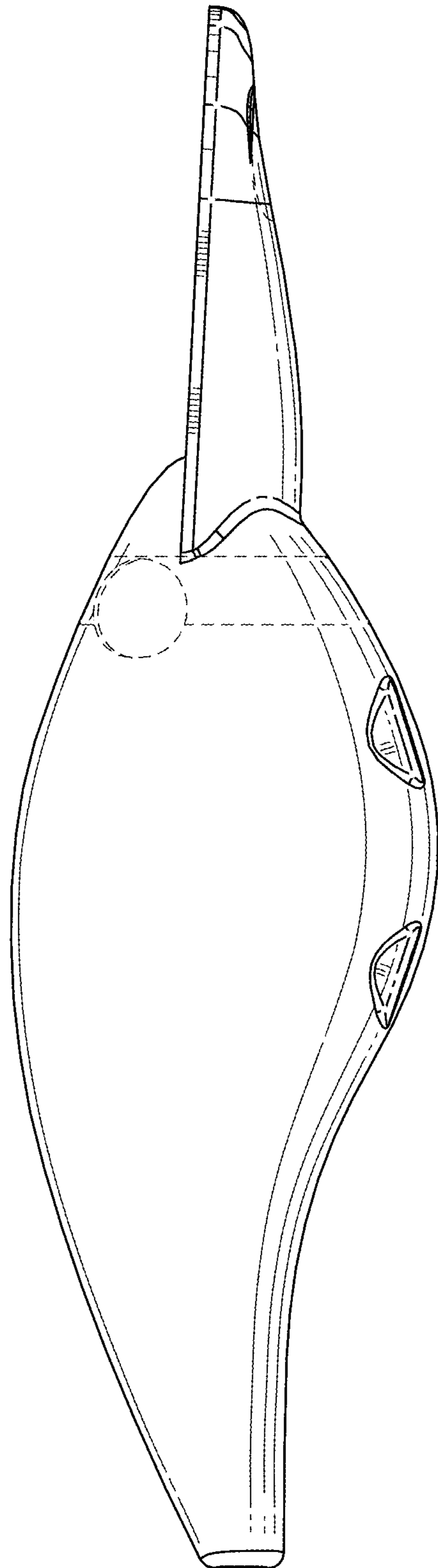


FIG. 18

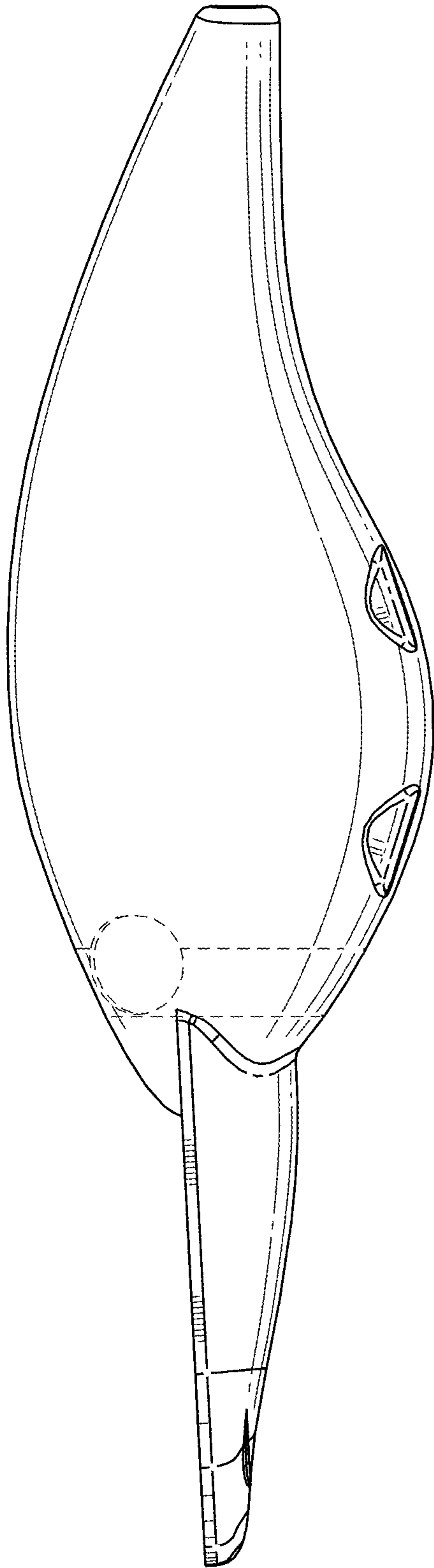


FIG. 19

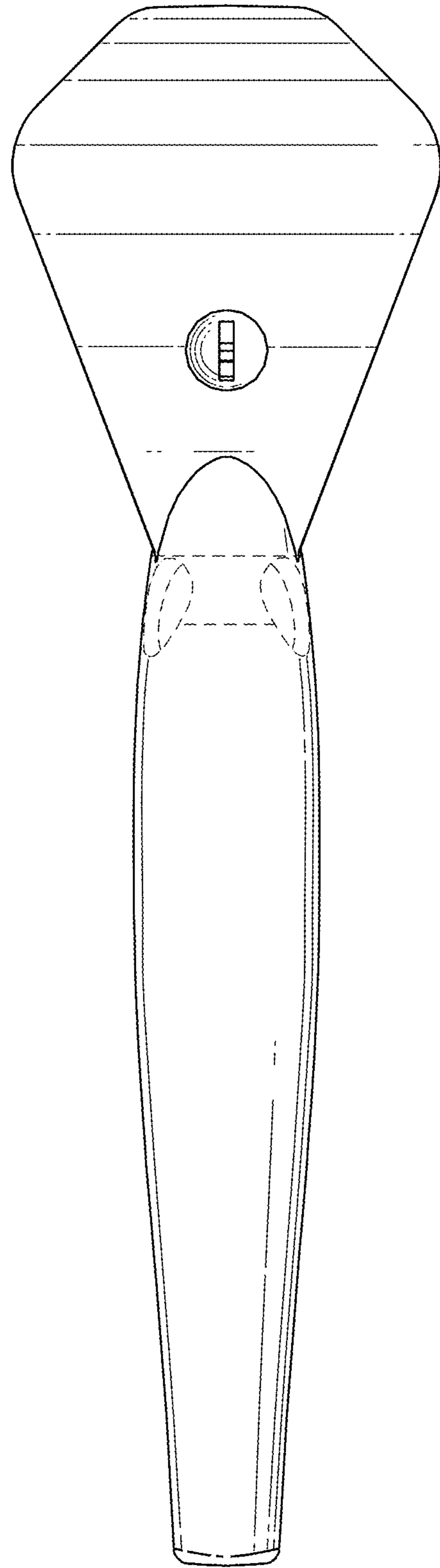


FIG. 21

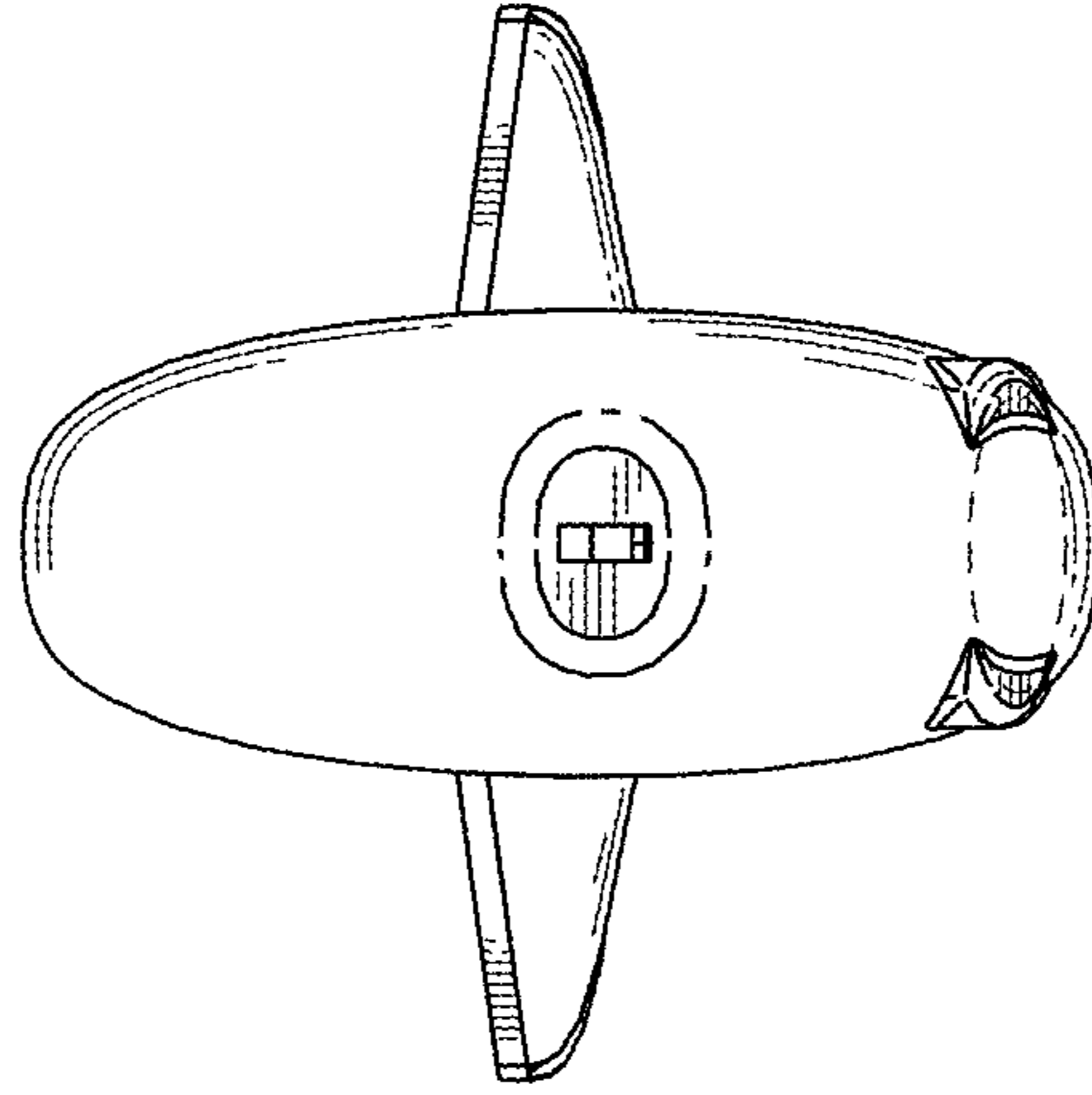


FIG. 20

