



US00D943050S

(12) **United States Design Patent**
Ford

(10) **Patent No.:** **US D943,050 S**

(45) **Date of Patent:** **** Feb. 8, 2022**

(54) **GUN SIGHT RETICLE**

(71) Applicant: **Randolph K. Ford**, Nottawa (CA)

(72) Inventor: **Randolph K. Ford**, Nottawa (CA)

(**) Term: **15 Years**

(21) Appl. No.: **29/645,301**

(22) Filed: **Apr. 25, 2018**

(51) **LOC (13) Cl.** **22-01**

(52) **U.S. Cl.**
USPC **D22/109**

(58) **Field of Classification Search**
USPC D22/100, 101, 107, 108, 109, 110, 111;
D16/130
CPC F41G 1/14; F41G 1/38; F41G 1/40
See application file for complete search history.

(56) **References Cited**

U.S. PATENT DOCUMENTS

D306,173 S *	2/1990	Reese	D16/130
D397,704 S *	9/1998	Reese	D16/130
6,357,158 B1 *	3/2002	Smith, III	F41G 1/38 42/122
D506,520 S *	6/2005	Timm	D22/108
D532,477 S *	11/2006	Zaderey	D22/108
D536,762 S *	2/2007	Timm	D22/109
D567,325 S *	4/2008	Pride	D22/109
D570,441 S *	6/2008	Pride	D22/109
D580,509 S *	11/2008	Peters	D22/108
D583,898 S *	12/2008	Peters	D22/109
D584,376 S *	1/2009	Peters	D22/108
D587,333 S *	2/2009	Peters	D22/109
D613,362 S *	4/2010	Huber	D22/108
7,705,975 B1 *	4/2010	Farris	G02B 27/32 356/124
D631,125 S *	1/2011	Huber	D22/109
D651,682 S *	1/2012	Beckett	D22/109
D654,136 S *	2/2012	Huber	D22/109
D679,776 S *	4/2013	Bracken	D22/109
D679,777 S *	4/2013	Bracken	D22/109

D680,187 S *	4/2013	Bracken	D22/109
D684,653 S *	6/2013	Smith	D22/109
D703,784 S *	4/2014	Smith	D22/109
D704,295 S *	5/2014	Hodge	D22/109
D716,905 S *	11/2014	Beckett	D22/109
D749,688 S *	2/2016	Harris	D22/109
D771,171 S *	11/2016	Davis	D16/134
D785,128 S *	4/2017	Kobayashi	D22/109
D798,411 S *	9/2017	Walker	D22/109
D798,412 S *	9/2017	Walker	D22/109
D798,414 S *	9/2017	Walker	D22/109
D798,752 S *	10/2017	Nakaniwa	D10/74
D798,985 S *	10/2017	Walker	D22/109
D821,535 S *	6/2018	Walker	D22/109

(Continued)

OTHER PUBLICATIONS

“Holo Reticles” [online]. nextlvl.gg. [Retrieved on Sep. 22, 2021]. Retrieved from the Internet: <https://nextlvl.gg/storage/app/media/uploaded-files/holo_all.webp>.*

Primary Examiner — Mojtaba Tehrani

(74) *Attorney, Agent, or Firm* — Olson & Cepuritis, Ltd.

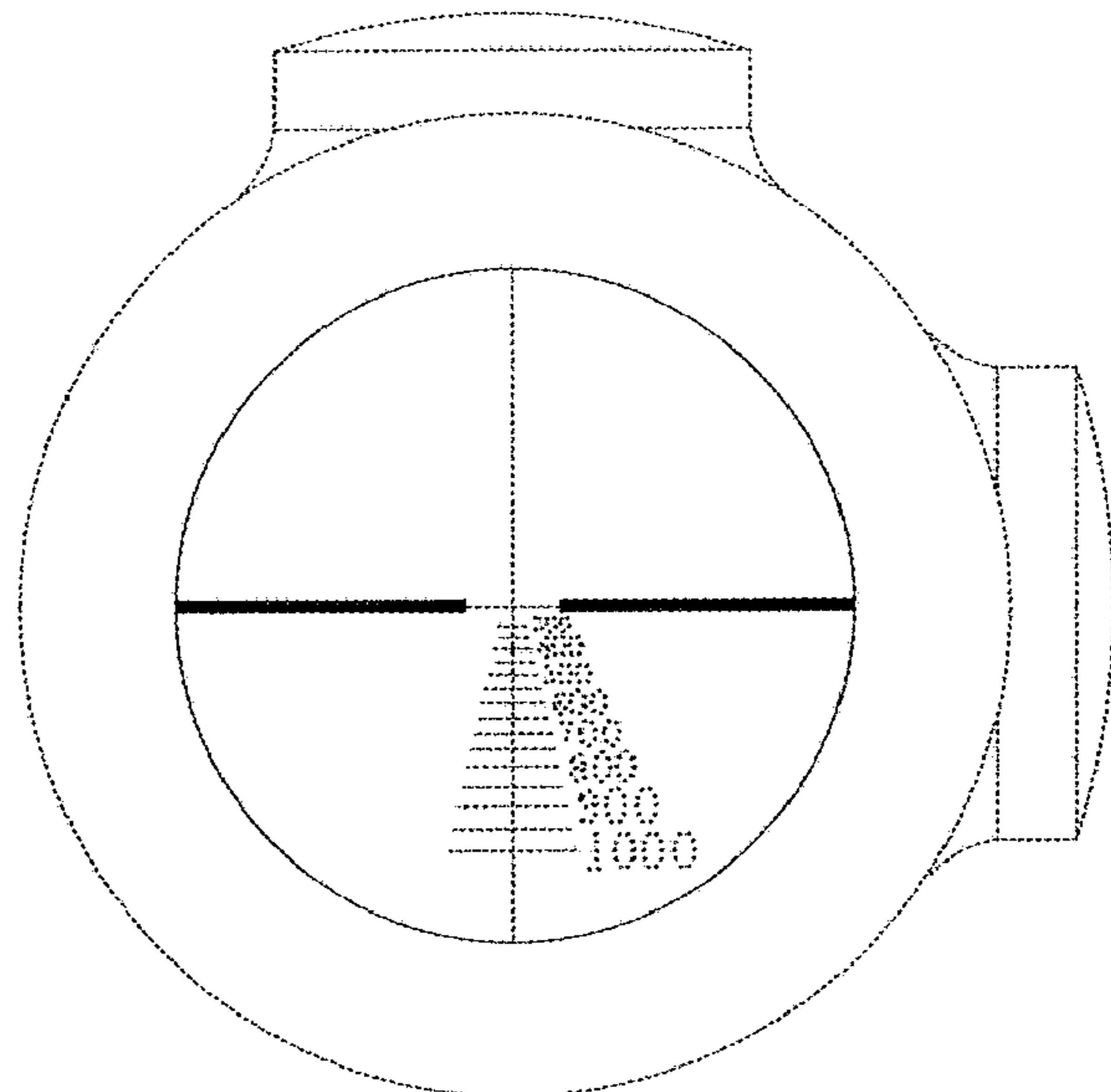
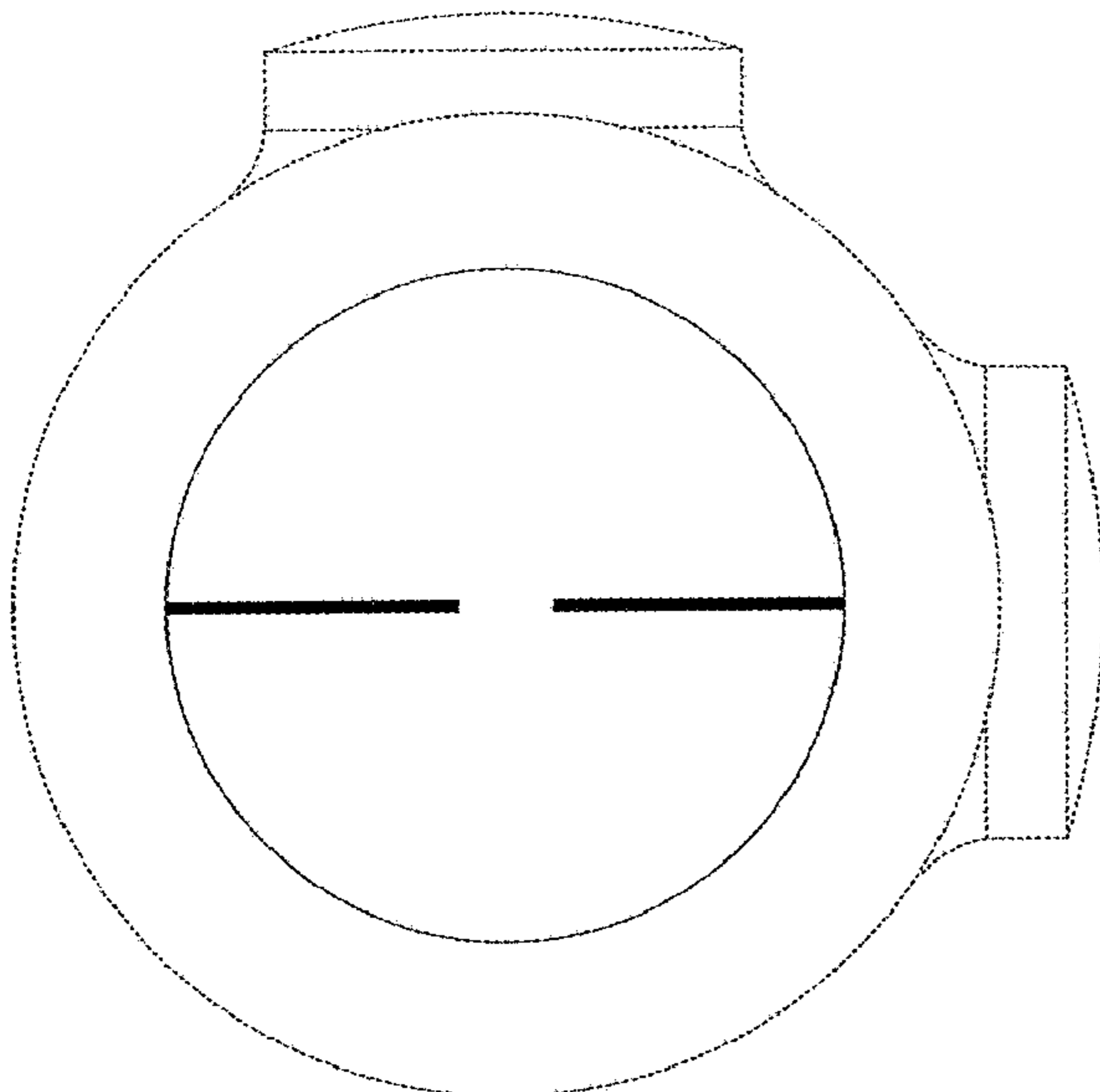
(57) **CLAIM**

The ornamental design for a gun sight reticle, as shown and described.

DESCRIPTION

FIG. 1 is a view of a gun sight reticle as viewed through an eyepiece end of a riflescope;
FIG. 2 is a view of the gun sight reticle as viewed through an eyepiece end of a dual focal plane riflescope when the gun sight reticle is positioned at a second focal plane of a dual focal plane riflescope; and,
FIG. 3 is a perspective view showing an environment of use for the reticle of FIGS. 1 and 2.
In FIGS. 1-3 the interrupted lines indicate environmental features that form no part of the claimed invention.

1 Claim, 3 Drawing Sheets



(56)

References Cited

U.S. PATENT DOCUMENTS

D896,914 S *	9/2020	Mikroulis	D22/109
D897,481 S *	9/2020	York	D22/109
2005/0229468 A1 *	10/2005	Zaderey	F41G 1/38 42/122
2011/0296733 A1 *	12/2011	York	F41G 1/38 42/131
2013/0160346 A1 *	6/2013	White	F41G 1/38 42/130

* cited by examiner

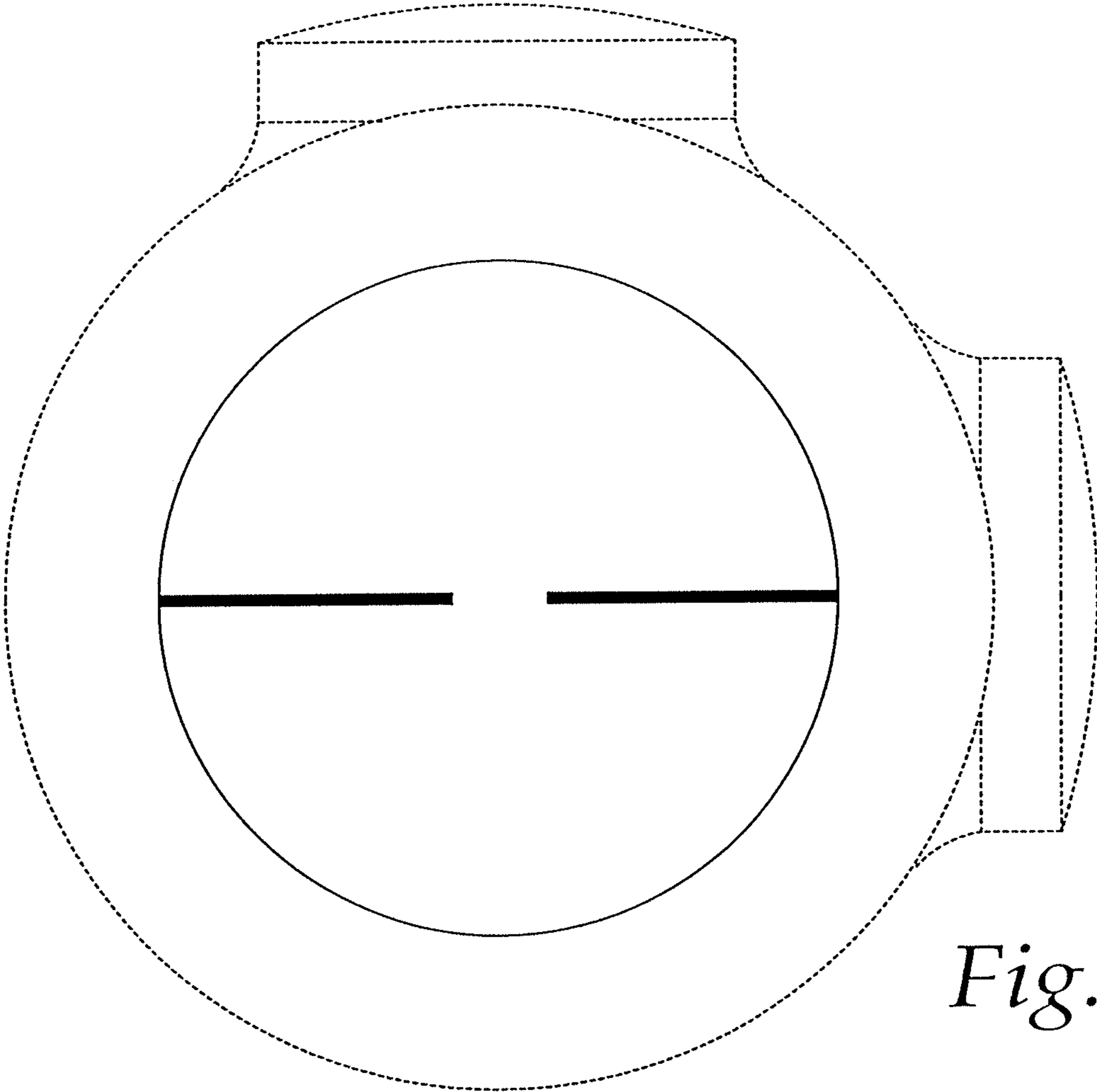


Fig. 1

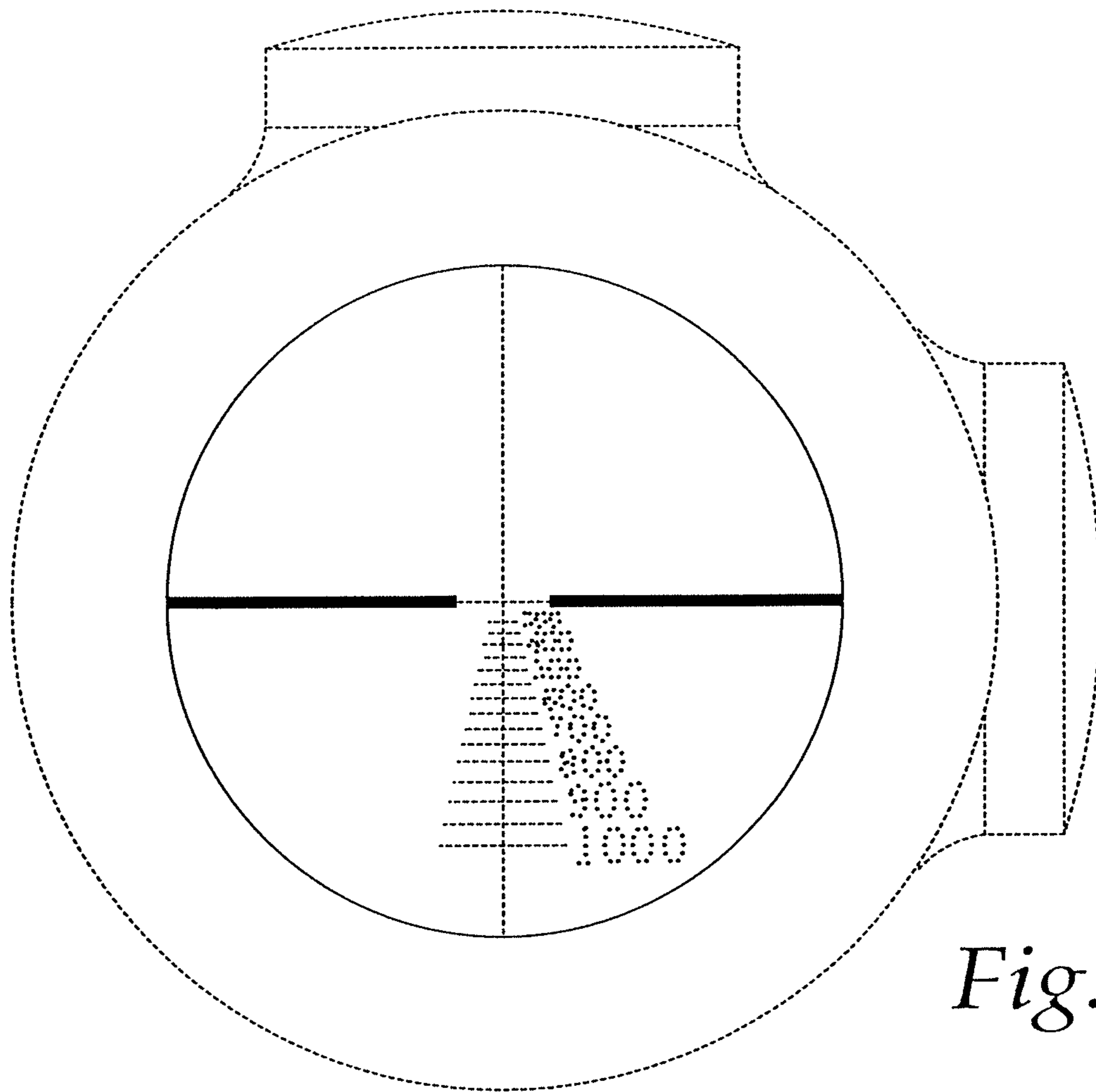


Fig. 2

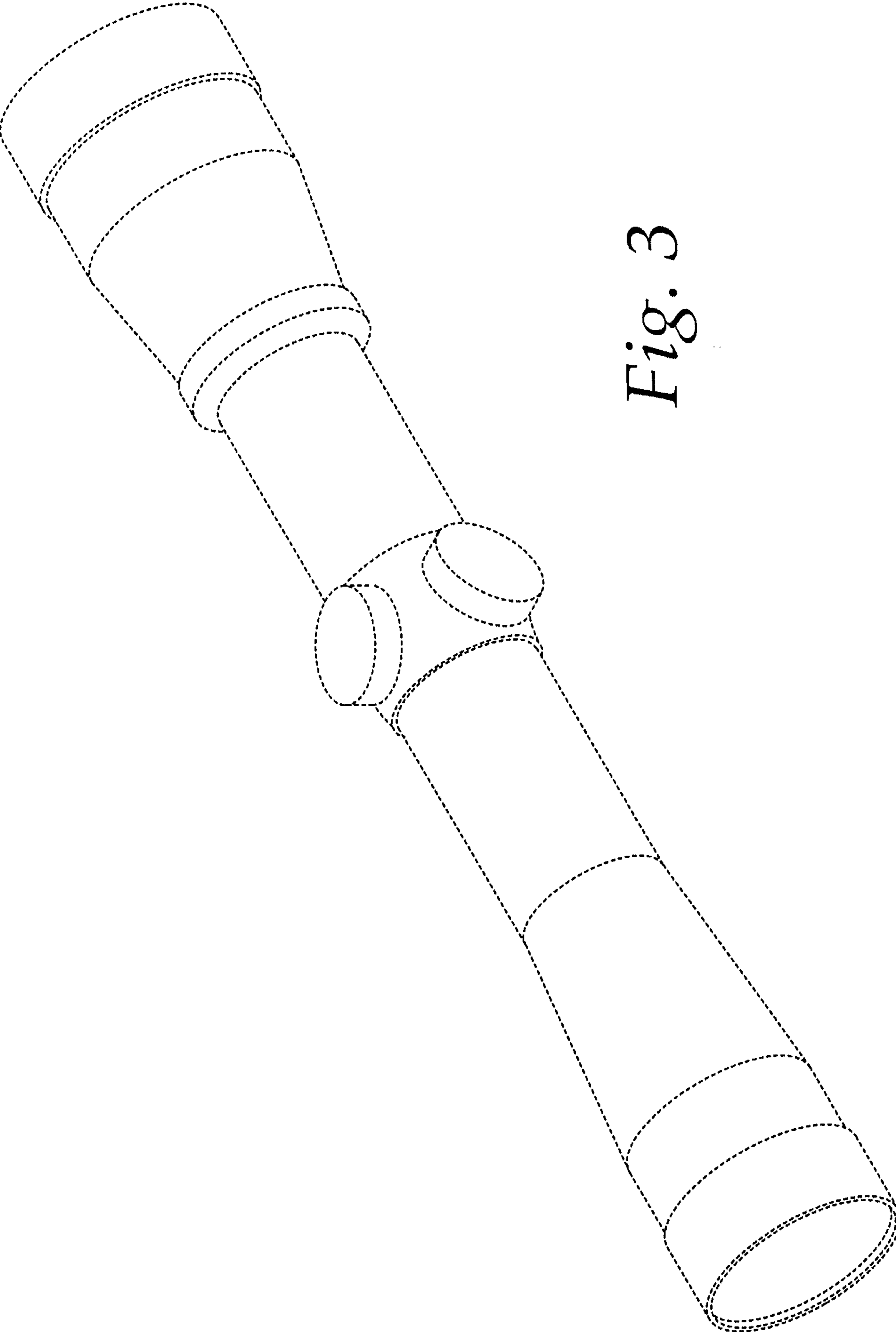


Fig. 3