

US00D943049S

(12) **United States Design Patent** (10) **Patent No.:** **US D943,049 S**
Roberts et al. (45) **Date of Patent:** **** Feb. 8, 2022**

(54) **BIPOD** 4,470,216 A ‡ 9/1984 Harris F41A 23/08
42/85
(71) Applicant: **Magpul Industries Corp.**, Austin, TX 4,625,620 A ‡ 12/1986 Harris F41A 23/08
(US) 42/94
4,641,451 A ‡ 2/1987 Harris F41A 23/08
42/85

(72) Inventors: **Timothy Eric Roberts**, Broomfield, CO
(US); **Michael T. Mayberry**, Denver,
CO (US)

(Continued)

FOREIGN PATENT DOCUMENTS

(73) Assignee: **Magpul Industries Corp.**, Austin, TX
(US)

EP 1769214 A1 ‡ 4/2007 F41A 23/02
EP 1769214 A1 4/2007

(Continued)

(**) Term: **15 Years**

OTHER PUBLICATIONS

(21) Appl. No.: **29/719,892**

Amazon website, Magpul Rifle Bipod, Earliest comment date Oct. 23, 2018, [site visited Aug. 16, 2020], Available on the Internet URL <https://www.amazon.com/Magpul-Rifle-Bipod-Picatinny-Black/dp/B07DMBBXY5> (Year: 2018).*

(Continued)

(22) Filed: **Jan. 8, 2020**

Related U.S. Application Data

(63) Continuation of application No. 29/630,775, filed on Dec. 22, 2017, now Pat. No. Des. 875,871.

Primary Examiner — S. Bryan Reinholdt, Jr.
(74) *Attorney, Agent, or Firm* — Neugeboren O'Dowd PC

(51) **LOC (13) Cl.** **22-01**

(57) **CLAIM**

(52) **U.S. Cl.**
USPC **D22/108**

The ornamental design for a bipod, as shown and described.

DESCRIPTION

(58) **Field of Classification Search**
USPC D22/108, 109, 110
CPC F41A 23/10; F41A 23/04; F41A 23/08
See application file for complete search history.

FIG. 1 is a left, top, rear perspective view of a bipod showing our new design;
FIG. 2 is a rear elevation view of the bipod of FIG. 1;
FIG. 3 is a front elevation view of the bipod of FIG. 1;
FIG. 4 is a left side elevation view of the bipod of FIG. 1;
FIG. 5 is a right side elevation view of the bipod of FIG. 1;
FIG. 6 is a top view of the bipod of FIG. 1; and,
FIG. 7 is a bottom view of the bipod of FIG. 1.

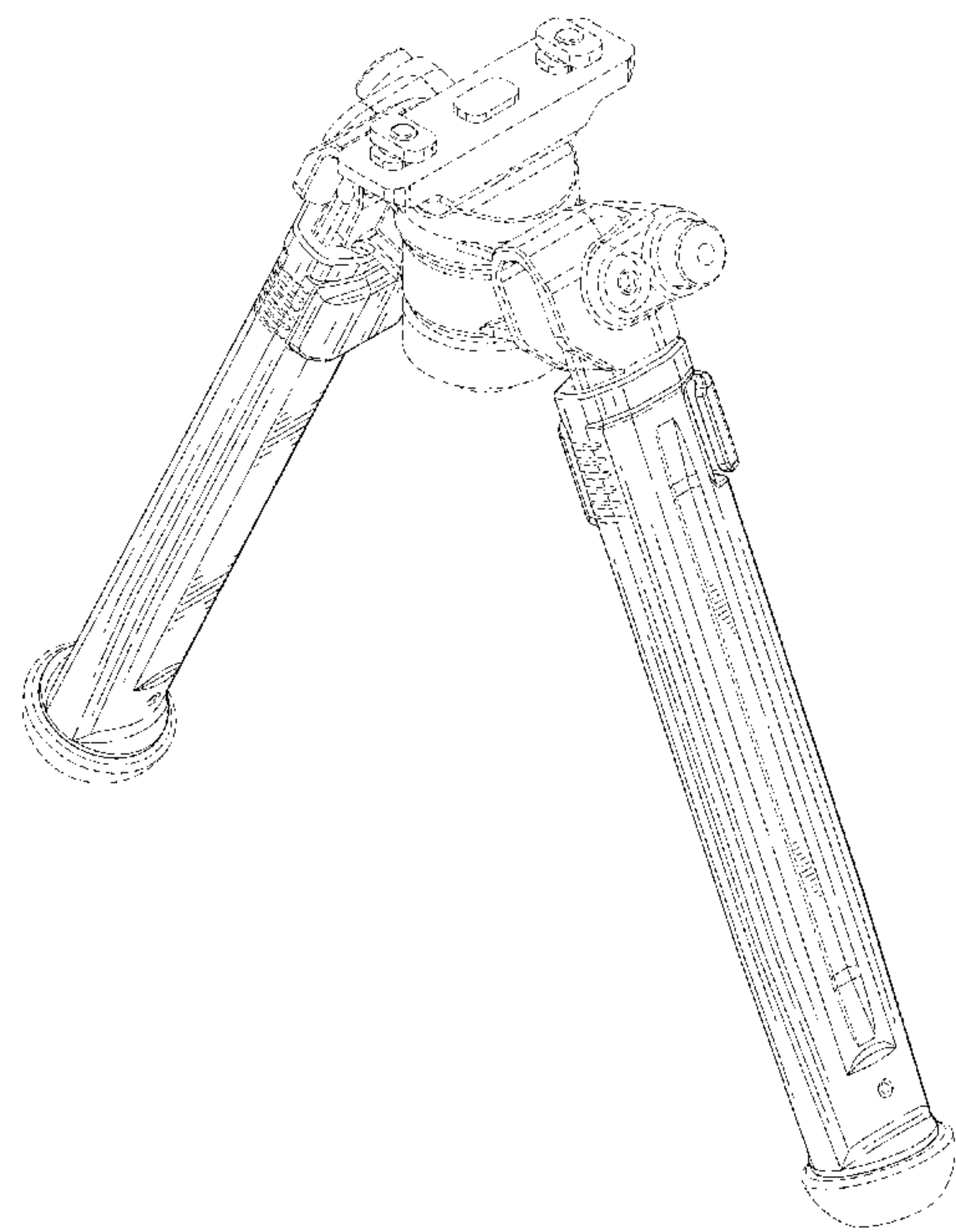
The intermittent lines depict shading and contour.
The features drawn in broken lines in all figures are portions of the bipod that form no part of the claimed design.

(56) **References Cited**

U.S. PATENT DOCUMENTS

3,327,422 A ‡ 6/1967 Harris F41A 23/08
42/94
4,397,112 A ‡ 8/1983 York F41A 23/08
42/94

1 Claim, 5 Drawing Sheets



(56)

References Cited

U.S. PATENT DOCUMENTS

4,903,425 A †	2/1990	Harris	F16M 13/02 42/94	8,341,865 B2 †	1/2013	Moody	G03B 17/563 42/72
D346,636 S †	5/1994	Bechtel	D22/108	8,341,866 B1 †	1/2013	Gardini	F41G 11/003 42/71
5,692,654 A †	12/1997	Bell	F41C 23/02 224/15	8,359,780 B2 †	1/2013	Peterson	F41G 11/003 42/94
5,711,103 A †	1/1998	Keng	F41A 23/08 42/94	8,402,684 B1 †	3/2013	Beltz	F41A 23/10 42/72
5,852,892 A †	12/1998	Bilgeri	F41A 23/08 42/94	8,418,394 B2 †	4/2013	Keng	F41A 23/10 248/16
6,289,622 B1 †	9/2001	Desch, Jr.	F41A 23/10 42/94	8,443,540 B2 †	5/2013	Poling	F41A 23/08 248/16
6,539,660 B1 †	4/2003	Yeargin	F41A 23/10 42/94	8,448,369 B2 †	5/2013	Hinds, Jr.	F41A 23/08 42/94
6,629,380 B2 †	10/2003	Yeargin	F41A 23/10 42/94	8,458,946 B1 †	6/2013	Pintsch	F41A 23/08 42/90
6,763,627 B1 †	7/2004	Kaempe	F41A 23/10 42/94	8,464,628 B2 †	6/2013	Potterfield	F41G 11/004 89/37
6,829,857 B1	12/2004	Houtsma		8,496,212 B2 †	7/2013	Keng	F41A 23/10 211/20
7,032,494 B2 †	4/2006	Wygant	F41A 23/08 248/17	8,567,106 B2 †	10/2013	Chvala	F41A 23/10 248/16
7,121,034 B2 †	10/2006	Keng	F41A 23/10 42/71	8,578,647 B2 †	11/2013	Storch	F41C 27/00 248/18
7,143,986 B1 †	12/2006	Austin	F41A 23/08 248/18	8,607,491 B2 †	12/2013	Moody	F41C 23/16 42/72
7,197,844 B2 †	4/2007	Benson	F41A 23/08 248/59	8,863,430 B2 †	10/2014	Poling	F41A 23/08 248/16
7,222,451 B2 †	5/2007	Keng	F41A 23/08 42/127	8,869,442 B2 †	10/2014	Moody	G03B 17/561 42/72
7,243,455 B2 †	7/2007	Jurk	F41A 23/10 42/94	8,894,024 B2 †	11/2014	Deros	F16M 11/041 248/12
7,421,815 B1 *	9/2008	Moody	F41C 23/16 248/171	8,904,693 B1 †	12/2014	Beltz	F41A 23/10 42/72
7,430,828 B2 †	10/2008	Munst	F41G 11/003 42/72	9,121,665 B2 †	9/2015	Hinds	F41A 23/04
7,431,247 B2 †	10/2008	Bobro	F41A 23/10 248/17	9,255,751 B1 †	2/2016	Beltz	F41A 23/10
7,478,496 B2 †	1/2009	Bender	F41A 23/10 248/17	9,303,940 B2 †	4/2016	Bonelli	F16M 11/14
7,571,563 B2 †	8/2009	Peterson	F41A 23/08 248/16	9,354,012 B2 †	5/2016	Faifer	F41A 23/10
7,614,174 B1 †	11/2009	Beltz	F41A 23/10 42/72	D758,521 S †	6/2016	Ding	D22/108
7,631,455 B2 †	12/2009	Keng	F16M 11/10 248/16	D758,522 S †	6/2016	Ding	D22/108
7,676,977 B1 †	3/2010	Cahill	F16M 11/16 248/16	9,377,274 B2 †	6/2016	Kincel	F41C 23/16
7,770,320 B1 †	8/2010	Bartak	F41C 23/16 42/72	9,410,762 B2 †	8/2016	Ballard	F41A 23/08
7,779,572 B2 †	8/2010	Potterfield	F41A 23/10 42/94	9,435,601 B2 †	9/2016	Poling	F41A 23/08
7,793,454 B1 †	9/2010	Beltz	F41A 23/10 42/72	9,470,468 B2 †	10/2016	McGinty	F41C 23/16
7,823,316 B2 †	11/2010	Storch	F41G 11/003 42/127	D790,652 S †	6/2017	Gardini	D22/10
7,845,267 B2 †	12/2010	Potterfield	F41G 11/004 89/37	10,139,183 B1 *	11/2018	Liu	F41A 23/10
7,856,748 B1 †	12/2010	Mertz	F41A 23/08 42/71	10,161,706 B2 *	12/2018	Roberts	F41A 23/10
7,954,272 B2 †	6/2011	Potterfield	F41A 23/10 248/12	D875,871 S *	2/2020	Roberts	D22/108
8,104,213 B2 †	1/2012	Keng	F41A 23/10 42/94	D898,156 S *	10/2020	Roberts	D22/108
8,104,214 B2 †	1/2012	Boord	F41A 23/02 108/11	2003/0042388 A1 †	3/2003	Peterson	F16M 11/26 248/440.1
8,327,570 B2 †	4/2012	Potterfield	F41A 23/10 248/12	2005/0242250 A1 *	11/2005	Keng	F16M 11/26 248/168
8,291,633 B1 †	10/2012	Hass	F41A 23/10 42/72	2008/0295379 A1 †	12/2008	Potterfield	F41A 23/10 42/94
8,316,570 B2 †	11/2012	Potterfield	F41A 23/10 42/94	2009/0000175 A1 †	1/2009	Potterfield	F41A 23/10 42/94
8,341,864 B2 †	1/2013	Moody	G03B 17/561 42/72	2009/0045304 A1 *	2/2009	Faifer	F16M 11/26 248/188.5
				2011/0036236 A1 †	2/2011	Potterfield	F41A 23/08 89/37
				2011/0126444 A1 *	6/2011	Keng	F41A 23/10 42/94
				2011/0296734 A1 *	12/2011	Troy	F41G 1/00 42/135
				2013/0036647 A1 †	2/2013	Chvala	F41A 23/10 42/94
				2013/0174463 A1 *	7/2013	Hinds	F41C 23/22 42/94
				2014/0115940 A1 *	5/2014	Bonelli	F16M 11/38 42/94
				2014/0130393 A1 †	5/2014	Antell	F41A 23/10 42/94
				2014/0190059 A1 †	7/2014	Ballard	F41C 23/16 42/94

(56)

References Cited

U.S. PATENT DOCUMENTS

2015/0135577	A1 ‡	5/2015	Poling	F41A 23/10 42/94
2015/0362278	A1 ‡	12/2015	Genchel	F41A 23/10 42/94
2016/0116245	A1 ‡	4/2016	Ravnaas	F41A 23/08 42/71
2016/0209172	A1 ‡	7/2016	Trotabas	F41G 1/44
2016/0238336	A1 ‡	8/2016	Bartak	F41A 23/10
2016/0273863	A1 ‡	9/2016	Hayes	F41A 23/08
2018/0058794	A1 ‡	3/2018	Scalf	F41A 23/10
2018/0180374	A1 *	6/2018	Roberts	F41A 23/10
2018/0216907	A1 *	8/2018	Roberts	F41A 23/10
2018/0259287	A1 ‡	9/2018	Palu	F41A 23/10

FOREIGN PATENT DOCUMENTS

EP	2880352	A1 ‡	6/2015	H04N 5/2252
EP	2880352	A1 ‡	6/2015		
EP	2956705	A1 ‡	12/2015	F16M 11/26
EP	2956705	A1 ‡	12/2015		
WO	2013132291	A1 ‡	9/2013		
WO	WO-2013132291	A1 ‡	9/2013	F41A 23/02
WO	2016161059	A1 ‡	10/2016		
WO	WO-2016161059	A1 ‡	10/2016	F41A 3/72

OTHER PUBLICATIONS

Seiwa Patent & Law, “Response to Office Action Regarding Japanese Patent Application No. 2018-013701”, dated Jan. 31, 2019, p. 3, Published in: JP. ‡

Kato, Shinju, “Office Action Regarding Japanese Patent Application No. 2018-013701”, dated Dec. 12, 2018, p. 2, Published in: JP. ‡
CAA, “NBPS Bottom Rail Mounting Short Bipod Picatinny”, “Retrieved from <https://usa.caagearup.com/nbps-bottom-rail-mounting-short-bipod-picatinny>”, Known to exist as early as Sep. 26, 2016, p. 4. ‡

Fidelis Firearms, “Parker-Hale Bipods”, Retrieved from <http://fidelisfirearms.com/bipods/>, Known to exist as early as Sep. 26, 2016, p. 1. ‡

KFS Industries, Inc., “S7 Bipods”, Retrieved from <http://s7bipod.com/>, Known to exist as early as Sep. 26, 2016, p. 2. ‡

Sarco, Inc., “M60 US GI Bipod”, Retrieved from <http://www.e-sarcoinc.com/m60bipod.aspx>, Known to exist as early as Sep. 26, 2016, p. 2. ‡

Mystic Precision, “MPOD”, Retrieved from <http://mysticprecision.com/mpod/>, Known to exist as early as Sep. 26, 2016, p. 3. ‡

Military Advantage, “M249 Squad Automatic Weapon”, Retrieved from <https://www.military.com/equipment/m249-squad-automatic-weapon>, Known to exist as early as Sep. 26, 2016, p. 2. ‡

The Mako Group, “Tactical Vertical Foregrip With Integrated Adjustable Bipod—GEN 2—T-PODG2QR”, Retrieved from <https://www.themakogroup.com/foregrips/tactical-vertical-foregrip-with-integrated-adjustable-bipod-gen-2-t-podg2qr.html>, Known to exist as early as Sep. 26, 2016, p. 4. ‡

The Mako Group, “Tavor Quick Deployment Bipod”, Retrieved from <https://www.themakogroup.com/tavor-quick-deployment-bipod-4462.html>, Known to exist as early as Sep. 26, 2016, p. 3. ‡

Tiptop Bipod, “Tiptop EZ Pivot & Pan Rifle Bipod 6-9: Sling Stud Mount: Extendable, Folding, With Sling-Attached Hole PN#S7-74667”, Retrieved from <https://www.amazon.com/Tiptop%C2%AE-Pivot-Rifle-Bipod-Sling-attached/dp/B00QJ67A1Q>, Known to exist as early as Sep. 26, 2016, p. 8. ‡

KFS Industries, Inc., “Versa-Pod”, Retrieved from <http://stores.versapod.com/>, Known to exist as early as Sep. 26, 2016, p. 2. ‡

Blackhawk!, “Sportster Traversetrack Bipod”, Retrieved from <https://blackhawk.com/products/long-gun-accessories/long-gun-accessories/bipods/sportster-traversetrack-bipod>, Known to exist as early as Sep. 26, 2016, p. 7. ‡

GG&G, “Standard XDS Bipod”, Retrieved from <http://www.gggaz.com/standard-xds-swivel-bipod.html>, Known to exist as early as Sep. 26, 2016, p. 4. ‡

Midwest Gun Works, Inc., “SAKO TRG 22/42 Bipod”, Retrieved from <https://www.midwestgunworks.com/page/mgwi/prod/S5740495?>, Known to exist as early as Sep. 26, 2016, p. 2. ‡

Vanguard, “Equalizer Pro 2”, Retrieved from https://www.vanguardworld.us/hunting_us/products/support-systems/equalizer-pro-2.html#go-sectionTop, Known to exist as early as Sep. 26, 2016, p. 5. ‡

Fab Defense, “H-Pod”, Retrieved from <https://www.fab-defense.com/en/category-bipods/id-774/harris-bipod-tilting-rotating-picatinny-adaptor-.html>, Known to exist as early as Sep. 26, 2016, p. 1. ‡

Battenfeld Technologies, Inc., “Caldwell Shooting Bipod”, Retrieved from <https://www.btibrands.com/product/shooting-bipod/>, Known to exist as early as Sep. 26, 2016, p. 2. ‡

hkparts.net, “HK German Rifle All Steel Bipod—for use With the HK Wide Forearm”, Retrieved from <http://www.hkparts.net/shop/pc/HK-German-All-Steel-Bipod-G3-91-93-33-p215.htm>, Known to exist as early as Sep. 26, 2016, p. 2. ‡

boltcarrier.com, “Knight’s Armament (KAC) KAC Bi Pod Assembly”, Retrieved from <https://www.boltcarrier.com/product/kac-bi-pod/>, Known to exist as early as Sep. 26, 2016, p. 1. ‡

Harris Bipods, “Harris Bipods and Adapters”, Retrieved from <http://www.harrisbipods.com/>, Known to exist as early as Sep. 26, 2016, p. 8. ‡

Bobro Engineering, “Bi-Pod Type 3—BLAC”, Retrieved from <http://www.bobroengineering.com/view/product/1/>, Known to exist as early as Sep. 26, 2016, p. 2. ‡

Leapers, Inc., “Bipods and Shooting Stands”, Retrieved from <http://www.leapers.com/index.php?mitem=bipod&mtrack=m>, Known to exist as early as Sep. 26, 2016, p. 1. ‡

Brownells, Inc., “GPS, LLC.—Military Model Grip Pod Picatinny Mount”, Retrieved from <https://www.brownells.com/shooting-accessories/bipods-monopods-amp-accessories/bipod-accessories/grip-pod-gps-02-military-model-prod244>, Known to exist as early as Sep. 26, 2016, p. 2. ‡

ACCU-TAC, “SR-5”, Retrieved from <http://www.accu-tac.com/product/sr-5-bipod/>, Known to exist as early as Sep. 26, 2016, p. 3. ‡

B&T Industries, LLC, “Atlas Bipods”, Retrieved from http://www.accu-shot.com/Atlas_Bipods.php, Known to exist as early as Sep. 26, 2016, p. 1. ‡

Versa Pod, “150-051 Versa-Pod Model 51 Bipod 50 Series Gun Rest With Pan Tilt & Lock Controls 7 to 9 and Rubber Feet.”, Retrieved from <https://www.amazon.com/150-051-Versa-Pod-Model-Controls-Rubber/dp/B000FAB33I>, Known to exist as early as Sep. 26, 2016, p. 6. ‡

TIPO, “Notice of Allowance Regarding Taiwanese Design Patent Application No. 107303505”, dated Jan. 7, 2019, p. 5, Published in: TW. ‡

Copenhagen, Blaine R., “International Search Report and Written Opinion Re International Appl. PCT/US2017/068136”, dated Apr. 25, 2018, p. 13, Published in: PCT. ‡

Optics Planet.com, Magpul Bipod, Earliest comment date Sep. 26, 2018, [site visited Jun. 20, 2019], Available on the Internet URL <https://www.opticsplanet.com/magpul-industries-magpul-bipod.html> (Year: 2018). ‡

Kato, Shinju, “Office Action Regarding Japanese Patent Application No. 2018-013701”, Dec. 12, 2018, p. 2, Published in: JP.

Beaufume, Cedric, “Extended European Search Report Regarding Application No. 17883801.7”, dated Jul. 15, 2020, p. 8, Published in: EP.

Henry, Andre, “Examination Report No. 1 for Standard Patent Application No. 2017382340”, dated Sep. 30, 2020, p. 5, Published in: AU.

* cited by examiner

‡ imported from a related application

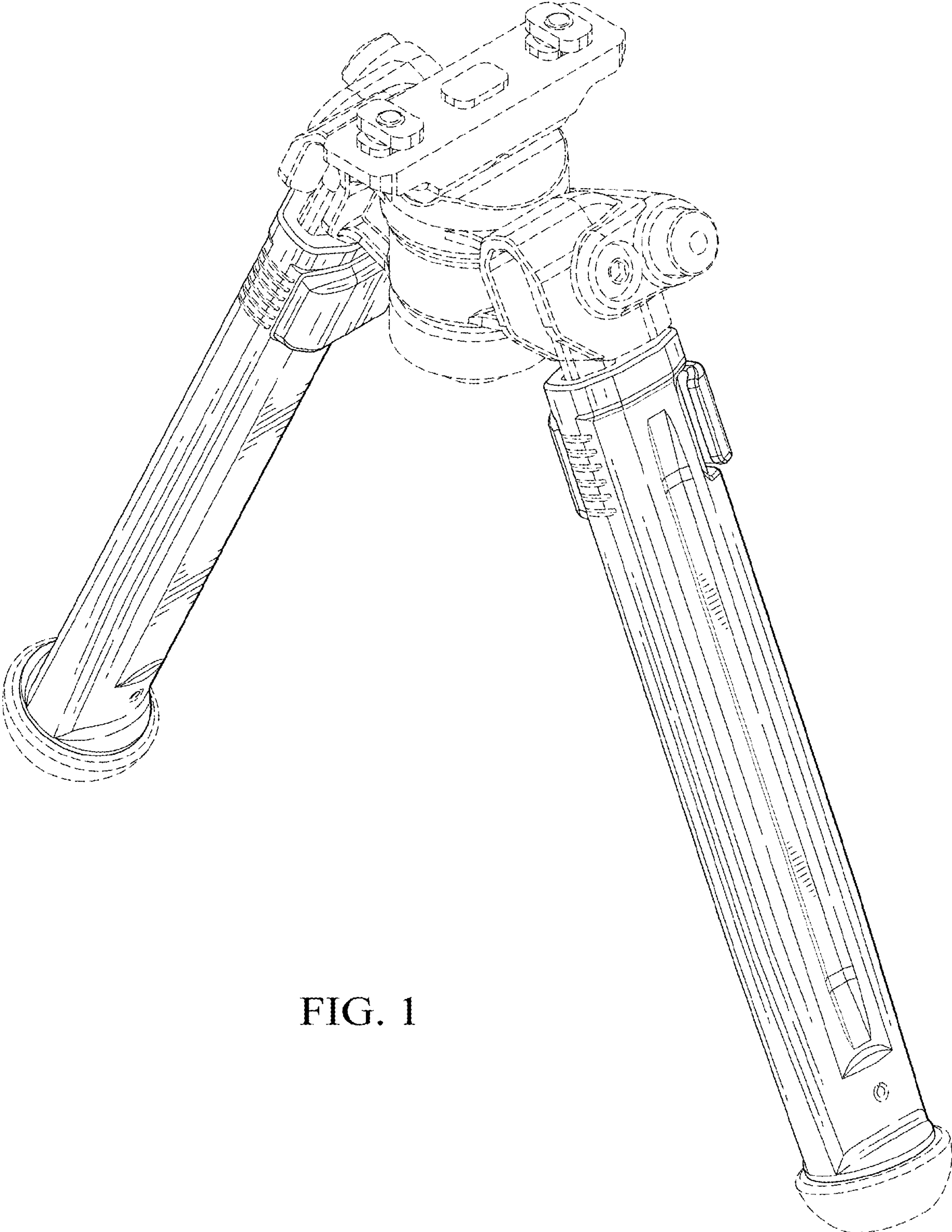


FIG. 1

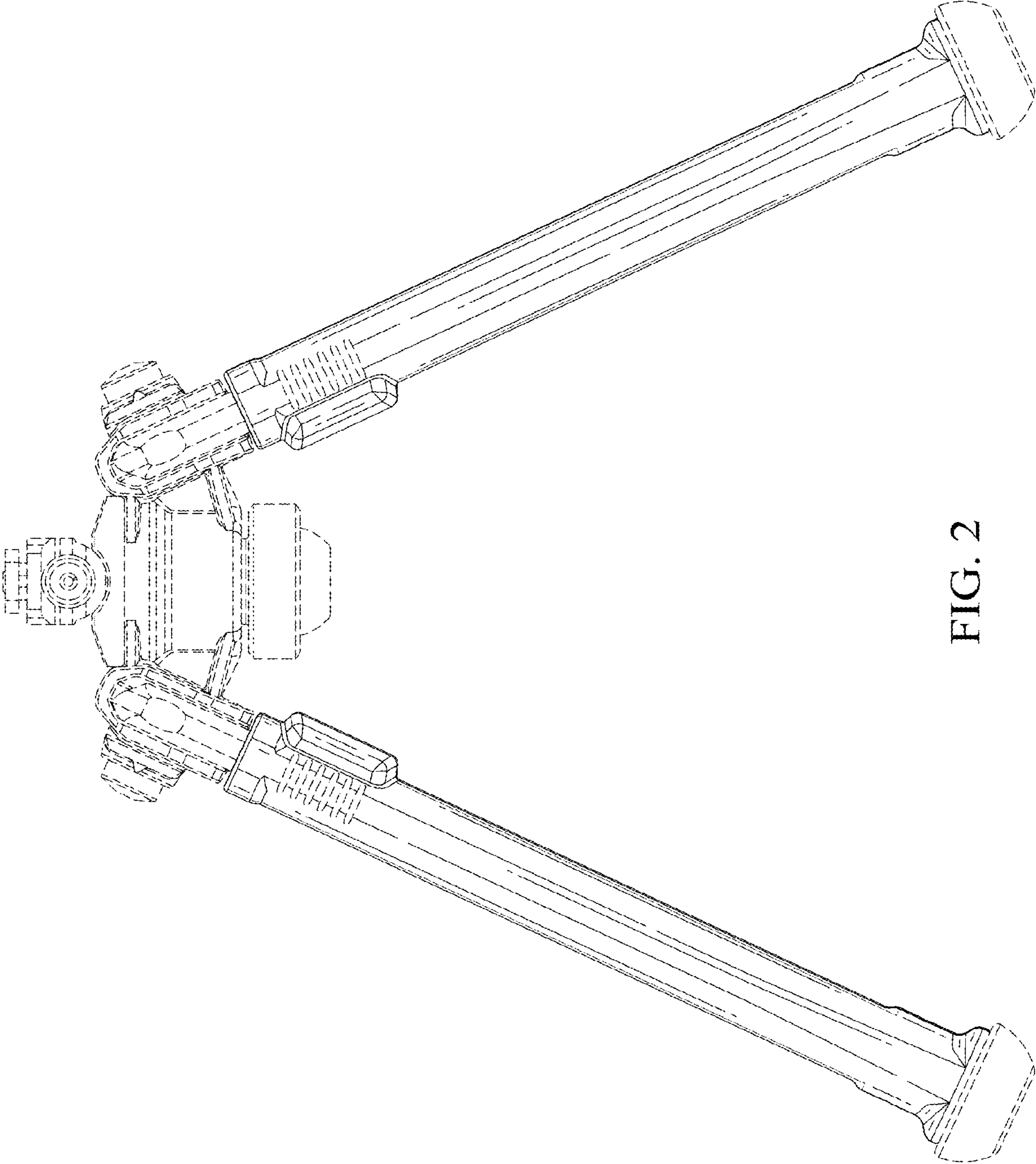


FIG. 2

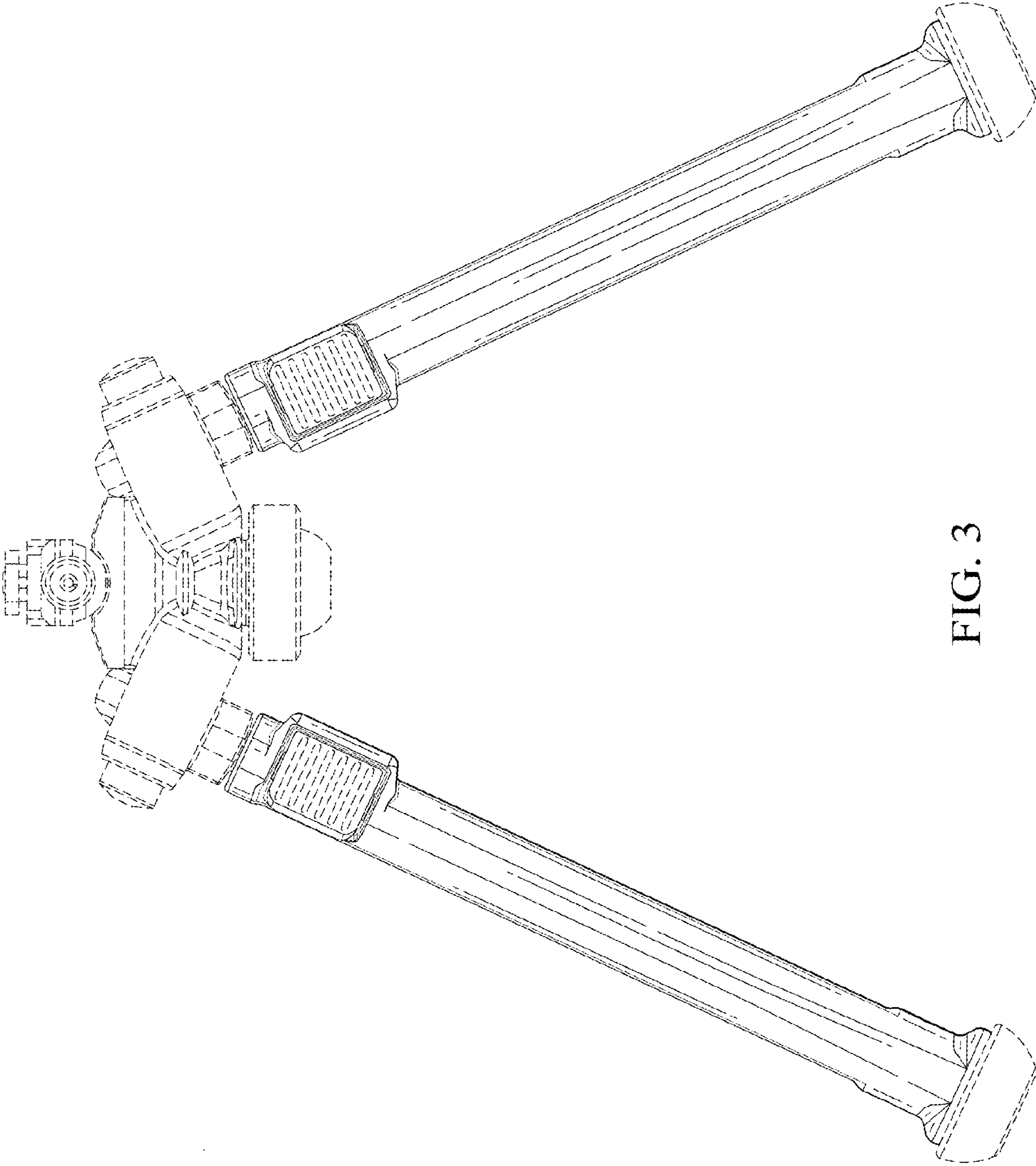


FIG. 3

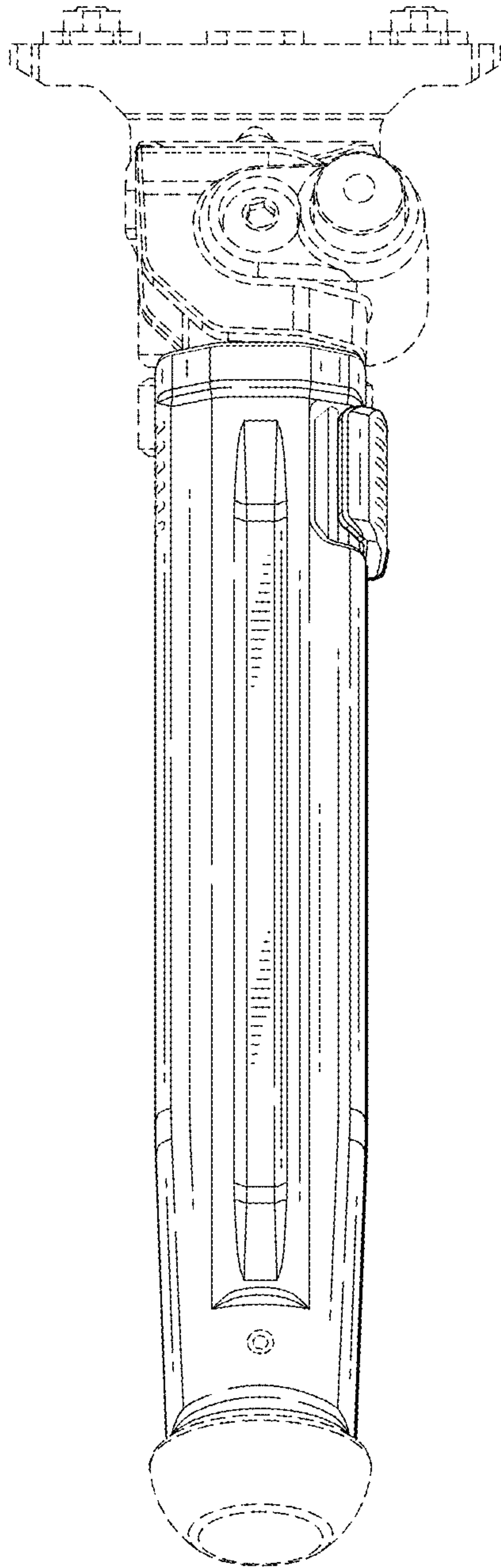


FIG. 4

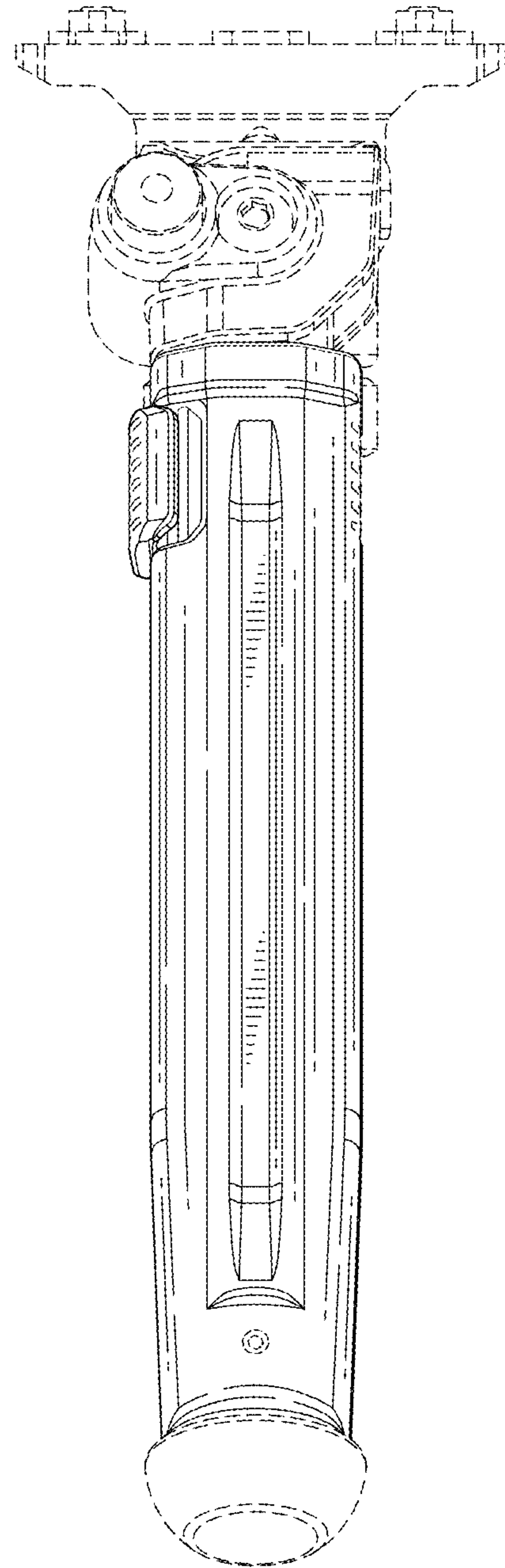


FIG. 5

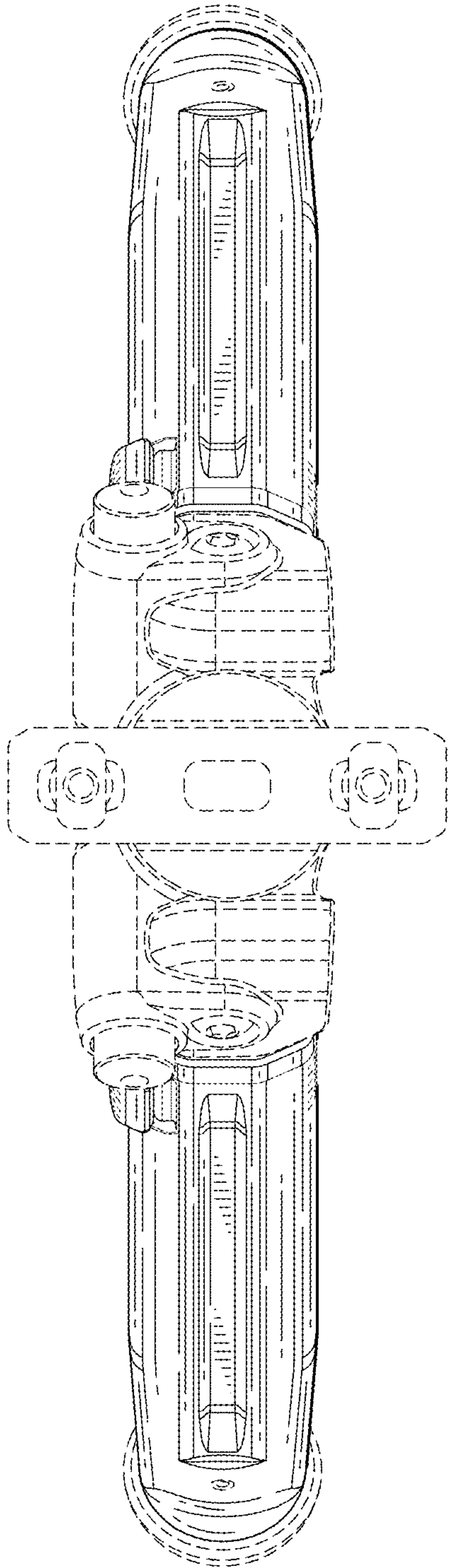


FIG. 6

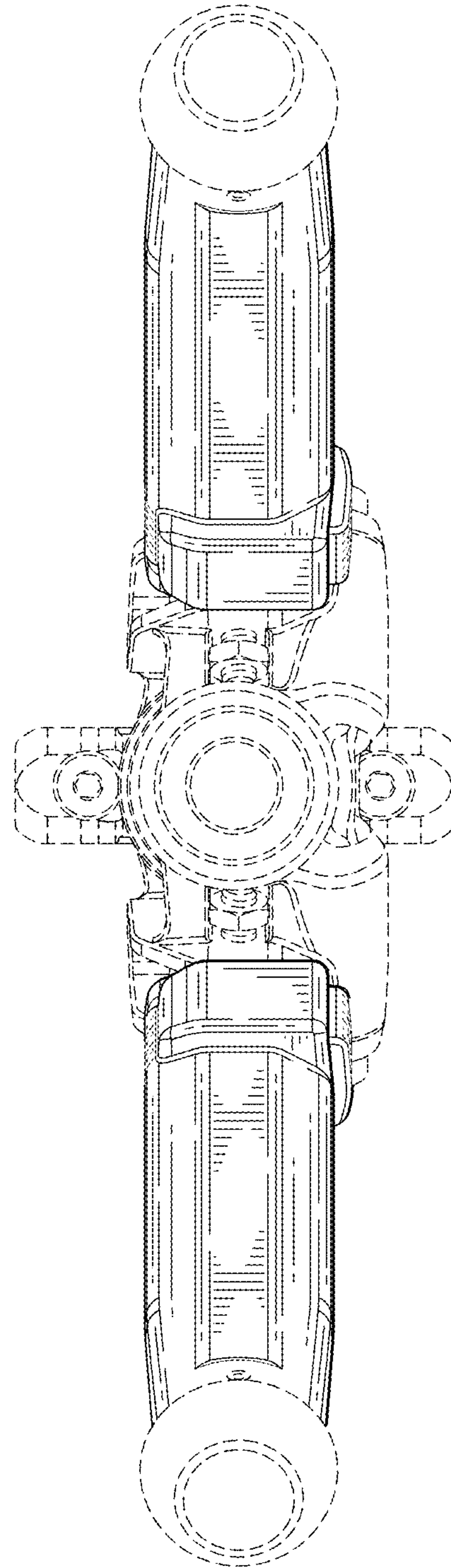


FIG. 7