



US00D943044S

(12) **United States Design Patent** (10) **Patent No.:** **US D943,044 S**
Wang (45) **Date of Patent:** **** Feb. 8, 2022**

(54) **SWING**
(71) Applicant: **Youping Wang**, Yongkang (CN)
(72) Inventor: **Youping Wang**, Yongkang (CN)
(**) Term: **15 Years**
(21) Appl. No.: **29/730,052**
(22) Filed: **Apr. 1, 2020**
(51) **LOC (13) Cl.** **21-03**
(52) **U.S. Cl.**
USPC **D21/823**
(58) **Field of Classification Search**
USPC D21/811, 814, 822-825; D6/344-347,
D6/351, 358, 369, 379, 380, 385, 386,
D6/388
CPC A63G 9/00-9/22
See application file for complete search history.

5,427,575 A * 6/1995 Berk A63G 9/00
297/273
8,454,450 B1 * 6/2013 Cordray A63G 9/00
472/118
D702,449 S * 4/2014 Puotiniemi D6/347
9,067,146 B1 * 6/2015 Cordray A63G 9/00
D738,637 S * 9/2015 Dean D6/347
9,440,154 B1 * 9/2016 Cordray A63G 9/00
D811,103 S * 2/2018 Priest D6/347
D821,109 S * 6/2018 Wehner D6/347
D854,106 S * 7/2019 Chen D21/823
D871,786 S * 1/2020 Blackrock D6/347
D879,229 S * 3/2020 Blackrock D21/823
D879,230 S * 3/2020 Blackrock D21/823
D890,284 S * 7/2020 Blackrock D21/823
D891,560 S * 7/2020 Chen D21/823
D894,619 S * 9/2020 Blackrock D6/347
D906,461 S * 12/2020 Dong D21/823
D925,664 S * 7/2021 Wang D21/672
2006/0103227 A1 * 5/2006 Jorg A63G 9/00
297/452.64

* cited by examiner

Primary Examiner — Mitchell I. Siegel
(74) *Attorney, Agent, or Firm* — Bayramoglu Law Offices LLC

(56) **References Cited**
U.S. PATENT DOCUMENTS

2,860,689 A * 11/1958 Baker A47D 13/105
472/118
3,130,969 A * 4/1964 Groth A63G 9/02
472/125
3,937,463 A * 2/1976 Soisson A63G 9/00
472/118
4,014,540 A * 3/1977 Caulkins A63G 9/12
472/14
D248,052 S * 5/1978 West D21/824
D256,149 S * 7/1980 Beller D21/824
D259,652 S * 6/1981 Ahrens D21/824
D273,967 S * 5/1984 Budde D21/825
D274,285 S * 6/1984 Budde D21/825
D274,286 S * 6/1984 Budde D21/825
D274,347 S * 6/1984 Budde D21/825
D278,549 S * 4/1985 Kristich D21/823

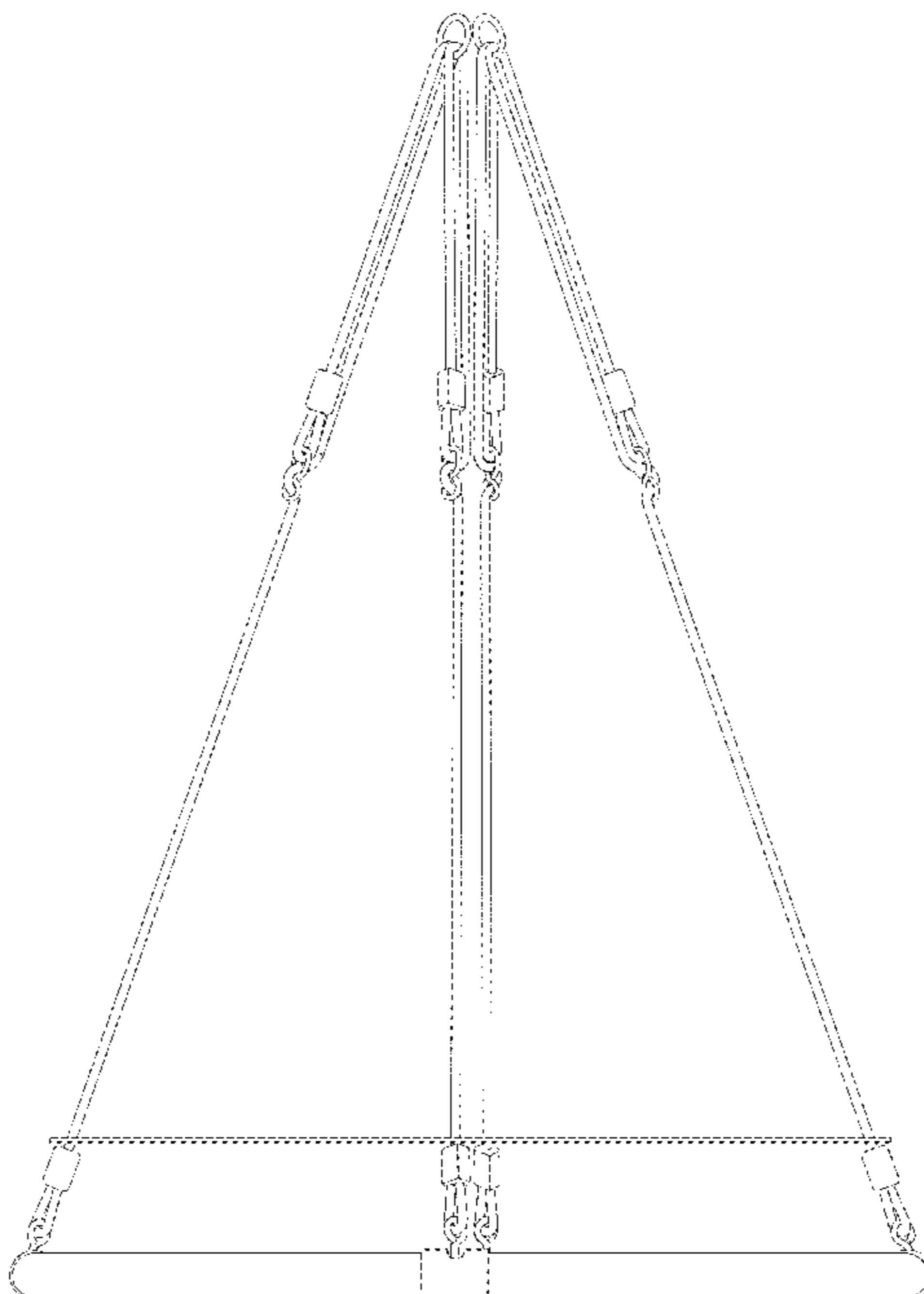
(57) **CLAIM**

The ornamental design for a swing, as shown and described.

DESCRIPTION

FIG. 1 is a front view of a swing showing my new design;
FIG. 2 is a perspective view thereof;
FIG. 3 is a back view thereof;
FIG. 4 is a top view thereof;
FIG. 5 is a bottom view thereof;
FIG. 6 is a right-side view thereof; and,
FIG. 7 is a left-side view thereof.

1 Claim, 7 Drawing Sheets



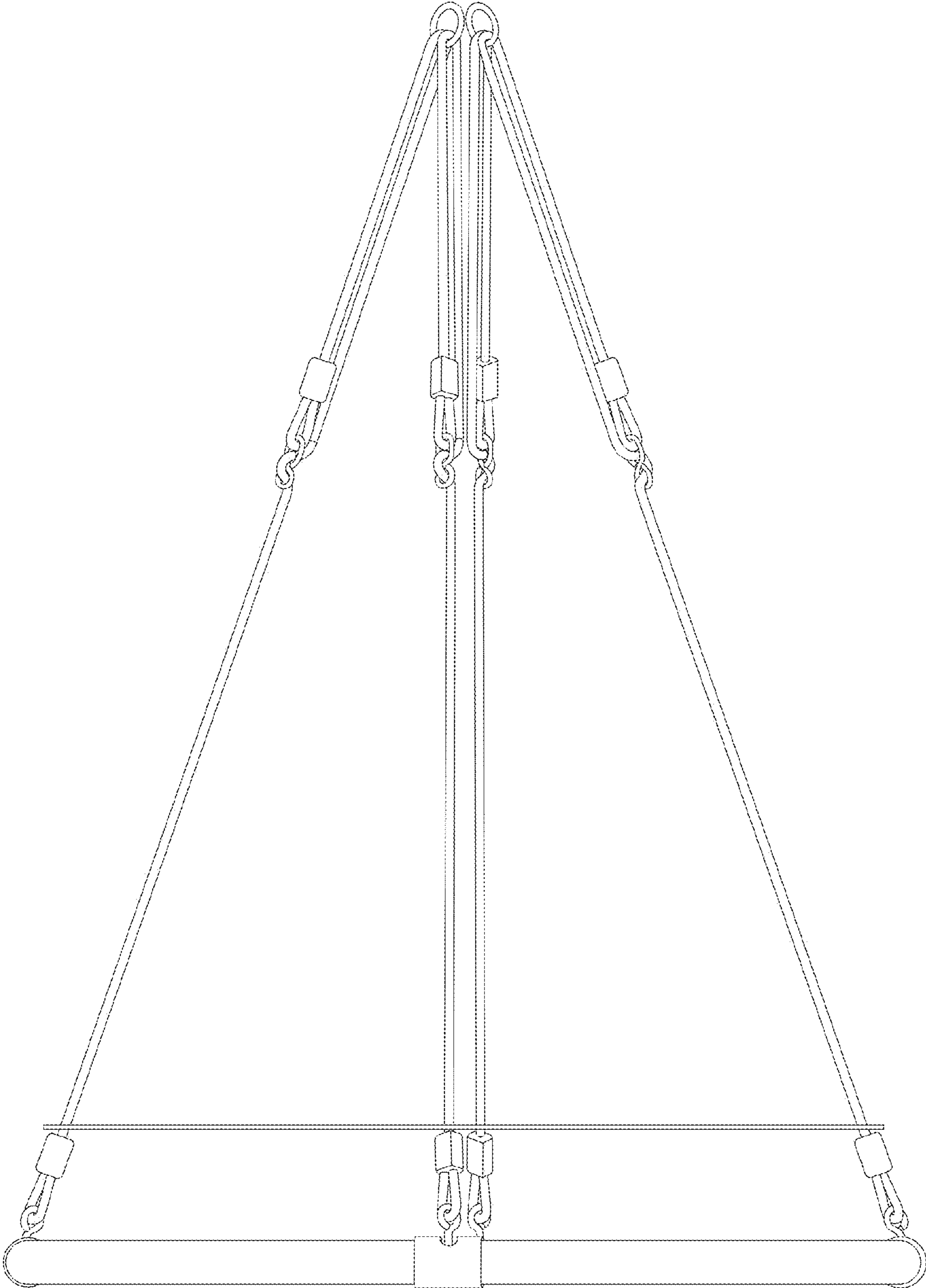


FIG. 1

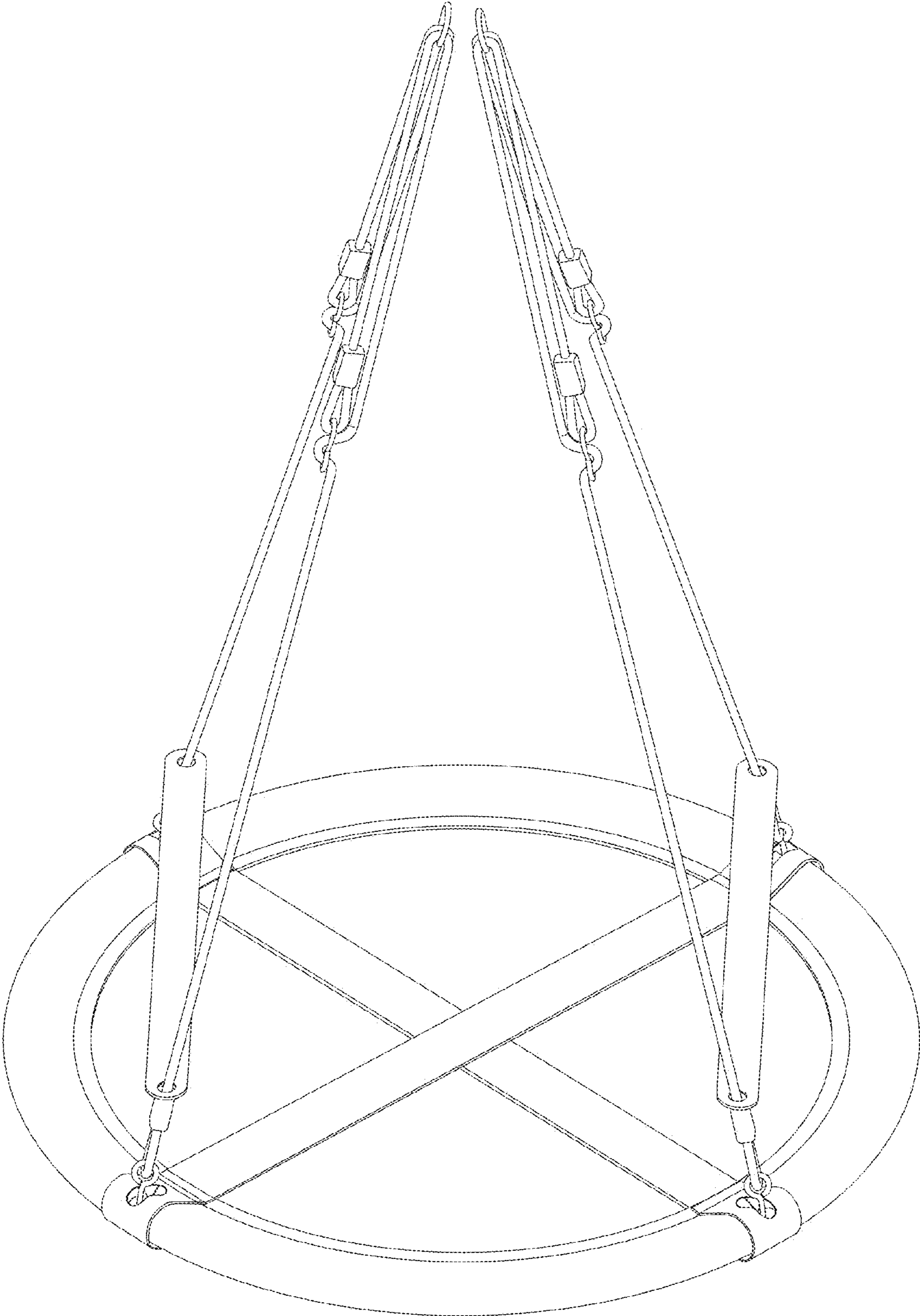


FIG. 2

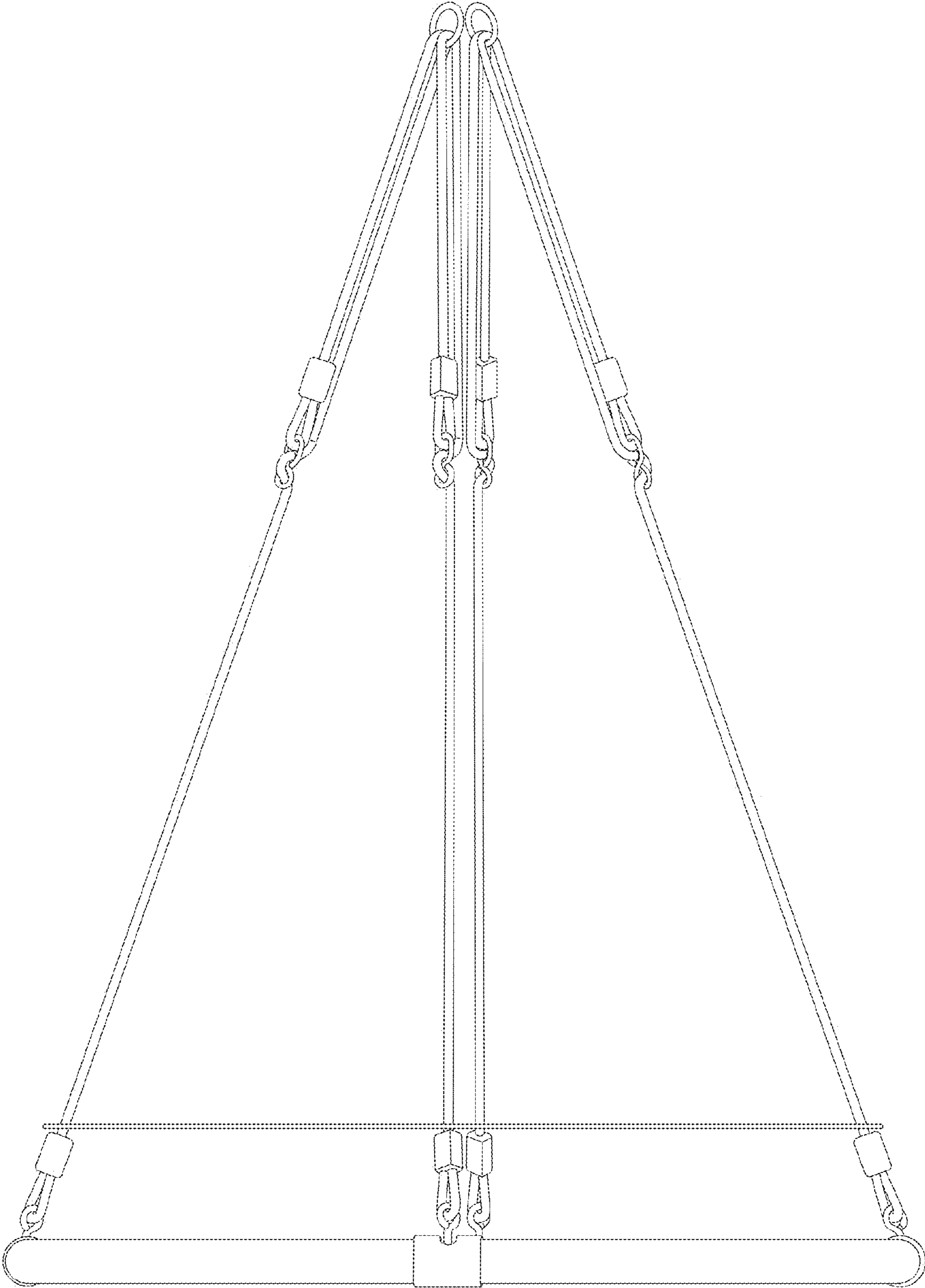


FIG. 3

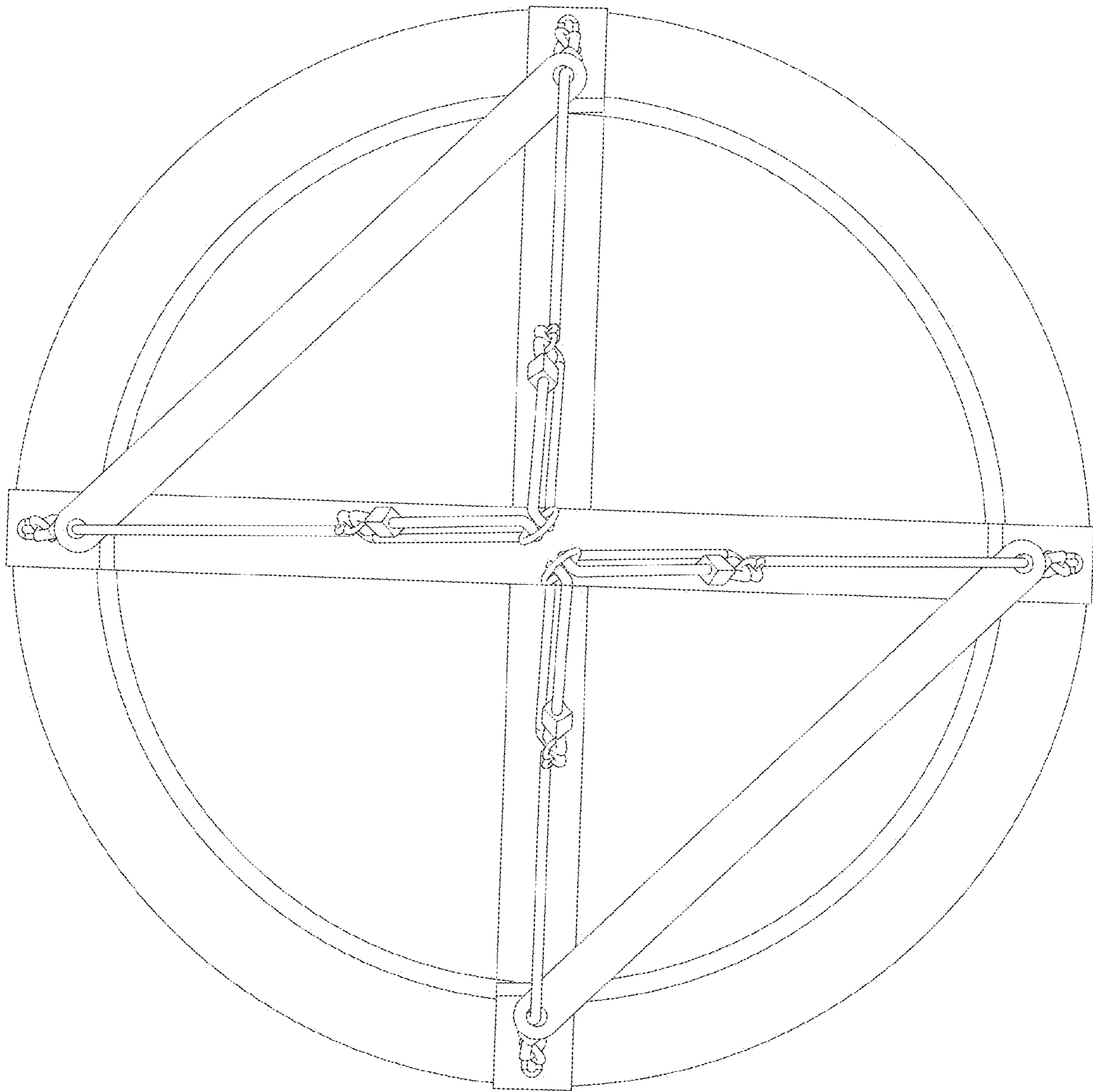


FIG. 4

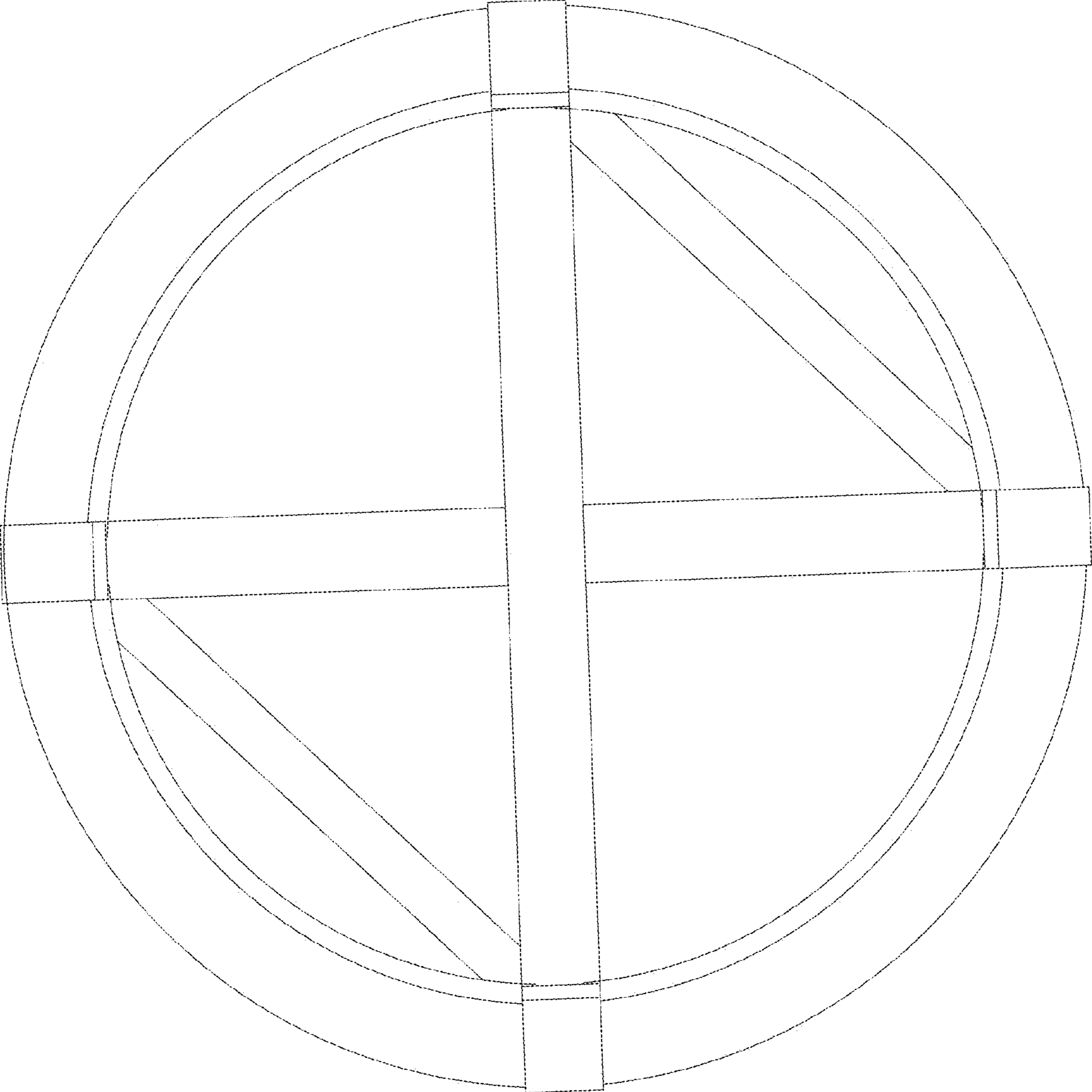


FIG. 5

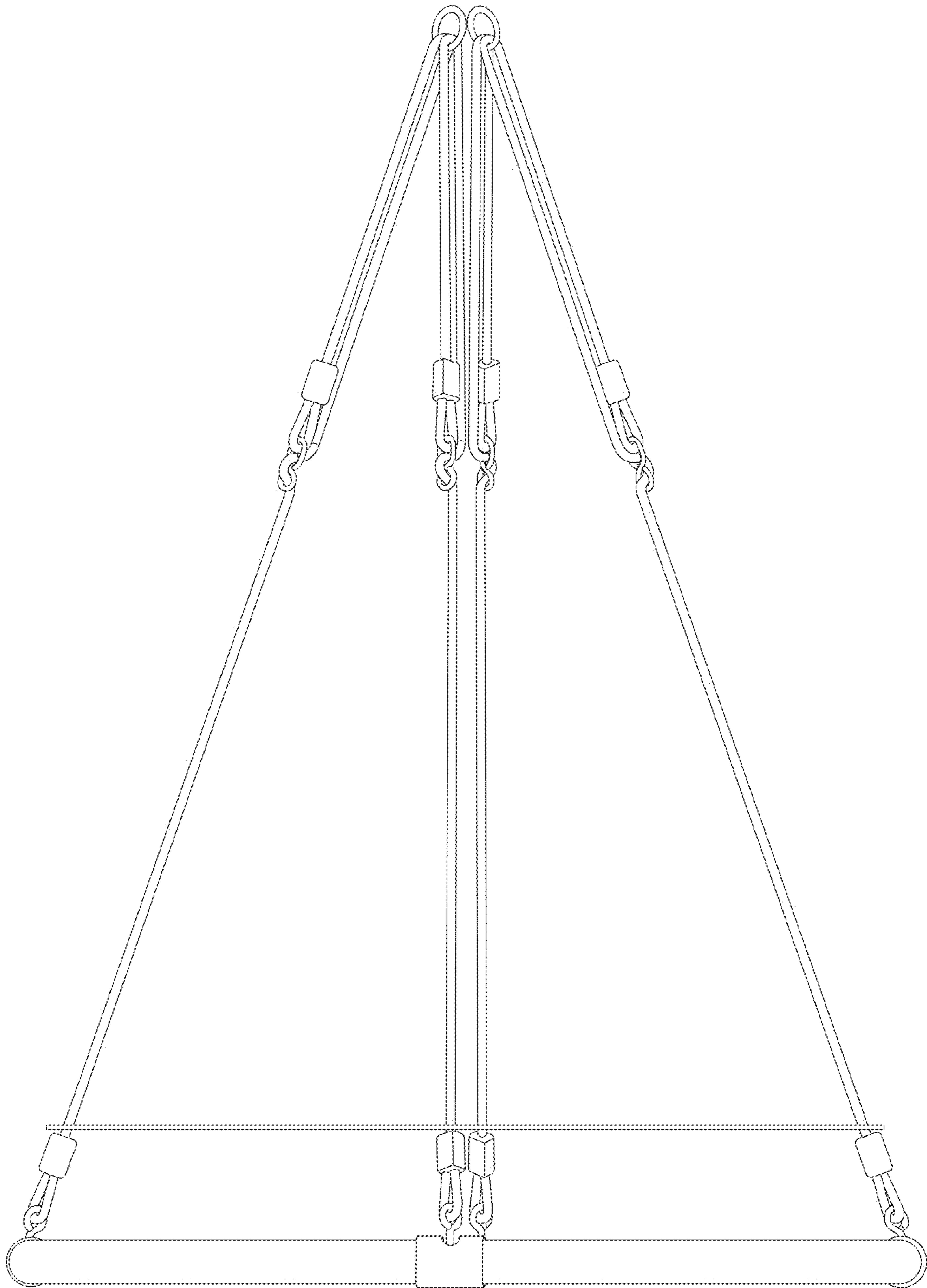


FIG. 6

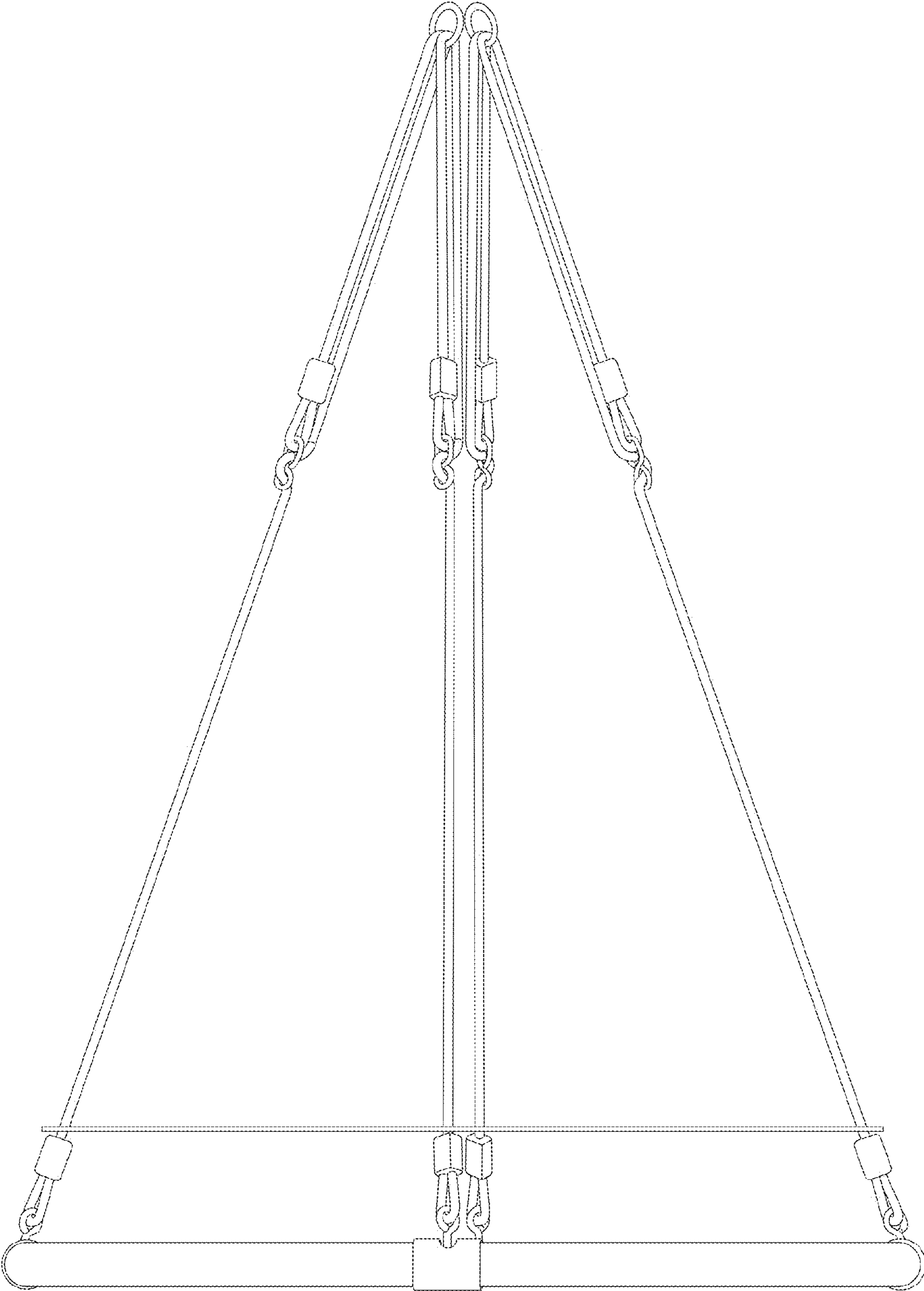


FIG. 7