



US00D943043S

(12) **United States Design Patent**  
**Hunter**

(10) **Patent No.:** **US D943,043 S**

(45) **Date of Patent:** **\*\* Feb. 8, 2022**

- (54) **WATER RIDE**
- (71) Applicant: **ProSlide Technology Inc.**, Ottawa (CA)
- (72) Inventor: **Richard D. Hunter**, Ottawa (CA)
- (73) Assignee: **ProSlide Technology Inc.**, Ottawa (CA)
- (\*\*) Term: **15 Years**
- (21) Appl. No.: **29/711,440**
- (22) Filed: **Oct. 31, 2019**
- (30) **Foreign Application Priority Data**  
  - May 24, 2019 (CA) ..... CA 187680
- (51) **LOC (13) Cl.** ..... **21-03**
- (52) **U.S. Cl.**  
  - USPC ..... **D21/819**
- (58) **Field of Classification Search**  
  - USPC ..... D21/811, 814, 818–821
  - CPC ..... A63G 21/00–21/22
  - See application file for complete search history.

D328,119	S *	7/1992	Matsch	.....	D21/821
D344,317	S *	2/1994	Petersheim	.....	D21/821
5,735,748	A *	4/1998	Meyers	.....	A63G 21/18 472/116
D429,788	S *	8/2000	Sutton	.....	D21/818
D548,810	S *	8/2007	Hunter	.....	D21/821
D567,322	S *	4/2008	Hunter	.....	D21/821
D573,222	S *	7/2008	Huerta	.....	D21/821
D583,895	S *	12/2008	Hlynka	.....	D21/821
D619,186	S *	7/2010	Strall	.....	D21/818
7,762,900	B2 *	7/2010	Henry	.....	A63G 21/18 472/128
7,775,850	B2 *	8/2010	Todokoro	.....	A63H 23/10 446/217
D629,861	S *	12/2010	Cuttell	.....	D21/821
7,854,662	B2 *	12/2010	Braun	.....	A63G 21/18 472/117
7,887,426	B2 *	2/2011	Hlynka	.....	A63G 21/18 472/117
D637,253	S *	5/2011	Hunter	.....	D21/819
D641,823	S *	7/2011	Hunter	.....	D21/819

(Continued)

*Primary Examiner* — Mitchell I. Siegel  
(74) *Attorney, Agent, or Firm* — Finnegan, Henderson, Farabow, Garrett & Dunner, L.L.P.

(57) **CLAIM**

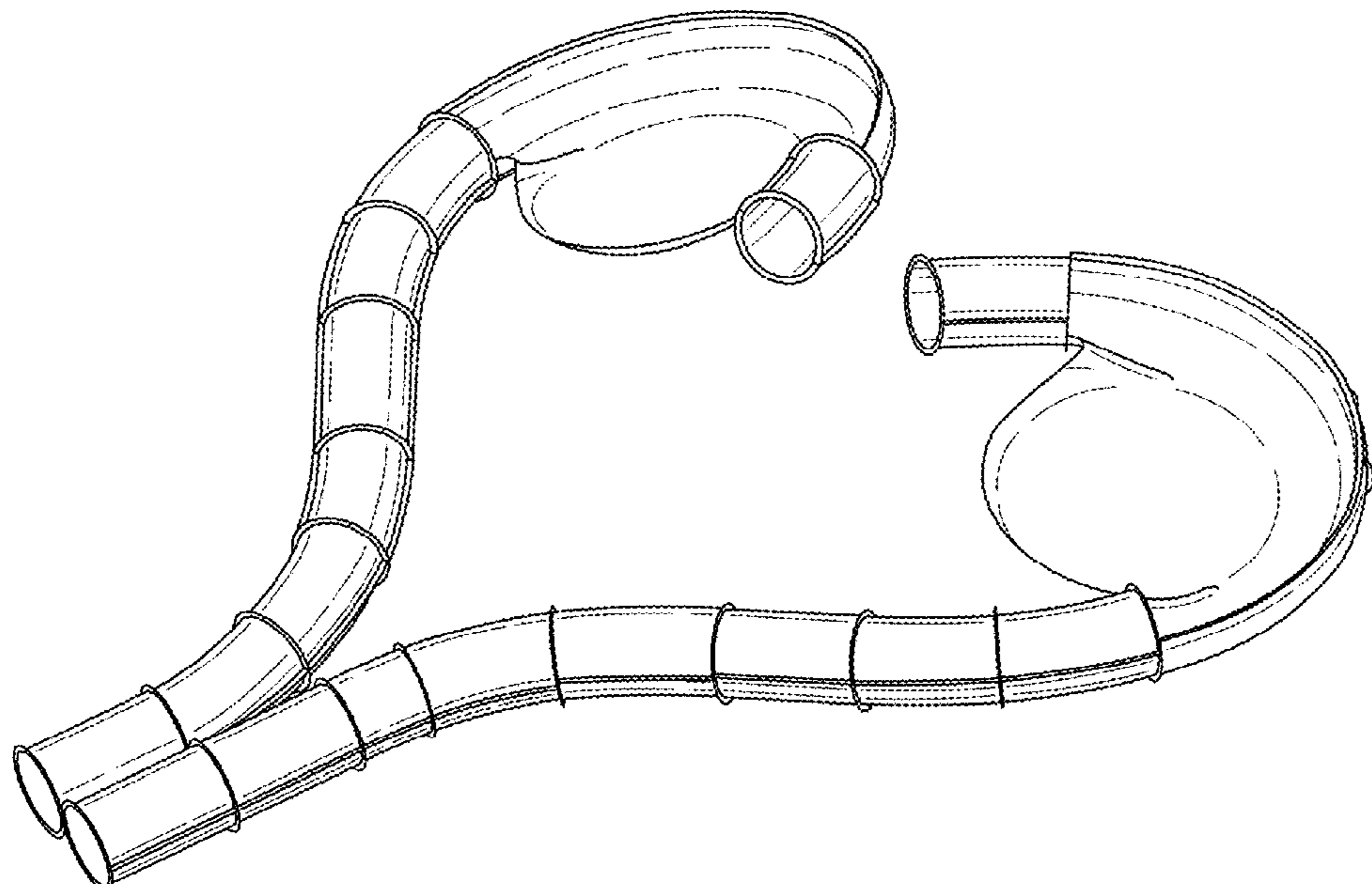
The ornamental design of a water ride, as shown and described.

**DESCRIPTION**

FIG. 1 is a perspective view of a water ride showing my new design;  
FIG. 2 is a top view thereof;  
FIG. 3 is a bottom view thereof;  
FIG. 4 is a left side view thereof;  
FIG. 5 is a right side view thereof;  
FIG. 6 is a front view thereof; and,  
FIG. 7 is a rear view thereof.

**1 Claim, 5 Drawing Sheets**

- (56) **References Cited**  
  - U.S. PATENT DOCUMENTS
  - 908,034 A \* 12/1908 Pyleck ..... B65G 11/103  
193/25 R
  - 2,465,187 A \* 3/1949 Barrabee ..... A63G 21/02  
472/116
  - D250,784 S \* 1/1979 Dieter ..... 472/116
  - D256,827 S \* 9/1980 Allen, III ..... D21/819
  - D256,828 S \* 9/1980 Allen, III ..... D21/819
  - D256,940 S \* 9/1980 Allen, III ..... D21/819
  - D266,346 S \* 9/1982 Millay ..... D21/819
  - D269,104 S \* 5/1983 Brown ..... D21/819
  - D269,105 S \* 5/1983 Brown ..... D21/819
  - D269,106 S \* 5/1983 Brown ..... D21/819
  - D269,107 S \* 5/1983 Brown ..... D21/819



(56)

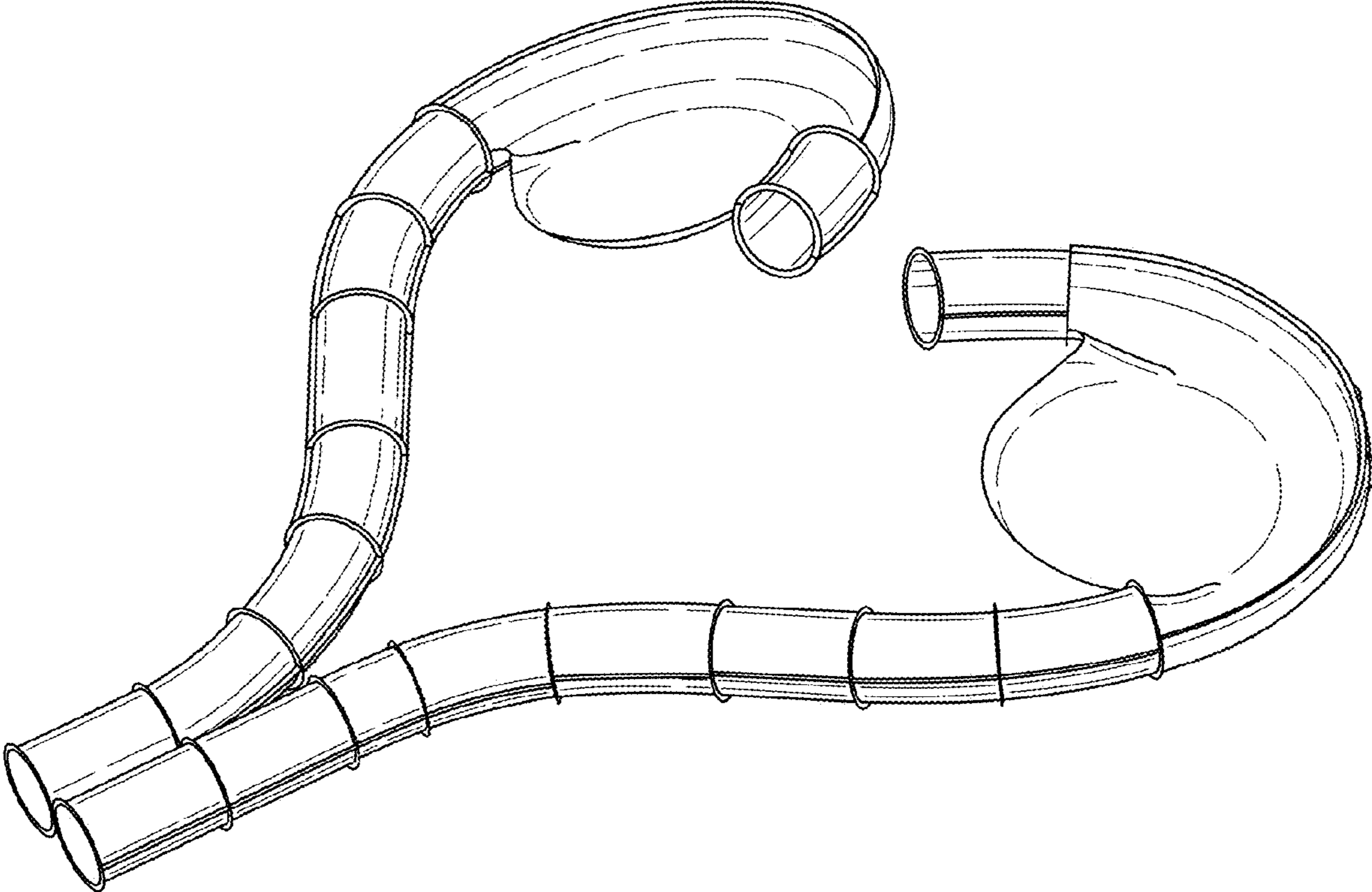
References Cited

U.S. PATENT DOCUMENTS

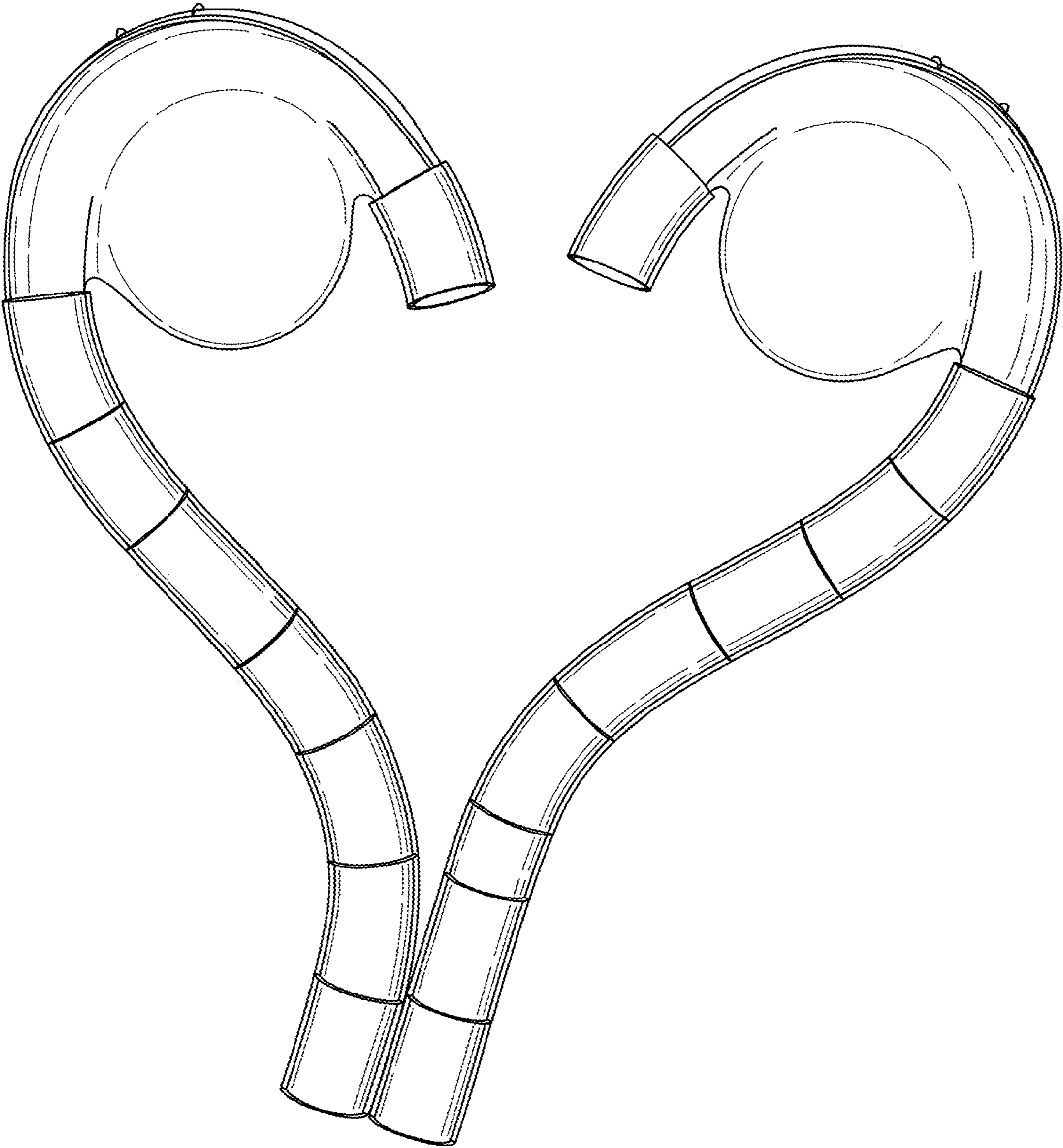
D650,463 S \* 12/2011 Degirmenci ..... D21/819  
 8,192,291 B2 \* 6/2012 Brassard ..... A63G 21/18  
 472/117  
 8,197,353 B2 \* 6/2012 Brassard ..... A63G 21/18  
 472/117  
 8,360,894 B2 \* 1/2013 Hlynka ..... A63G 21/18  
 472/117  
 8,430,760 B2 \* 4/2013 Brassard ..... A63G 21/18  
 472/117  
 8,579,715 B2 \* 11/2013 Olive ..... A63G 21/18  
 472/117  
 D743,497 S \* 11/2015 Eroglu ..... D21/818  
 D758,517 S \* 6/2016 Gonzalez ..... D21/818  
 D771,213 S \* 11/2016 Ozturk ..... D21/821  
 9,486,711 B2 \* 11/2016 Brassard ..... A63G 21/18  
 D779,010 S \* 2/2017 Ozturk ..... D21/821  
 D806,816 S \* 1/2018 Forbes ..... D21/818  
 D821,525 S \* 6/2018 Green ..... D21/814  
 D838,331 S \* 1/2019 Ozsoz ..... D21/819  
 D838,799 S \* 1/2019 Ozsoz ..... D21/819

D838,800 S \* 1/2019 Ozsoz ..... D21/819  
 10,166,483 B2 \* 1/2019 Brassard ..... A63G 21/18  
 D844,732 S \* 4/2019 Hunter ..... D21/821  
 D855,136 S \* 7/2019 Briggs ..... A63G 21/18  
 D21/821  
 D868,189 S \* 11/2019 Gardner ..... D21/819  
 D869,590 S \* 12/2019 Sekreter ..... D21/820  
 D876,564 S \* 2/2020 Hunter ..... D21/819  
 D892,960 S \* 8/2020 Hunter ..... D21/819  
 D901,613 S \* 11/2020 Hunter ..... D21/819  
 D903,804 S \* 12/2020 Hunter ..... D21/819  
 D905,188 S \* 12/2020 Hunter ..... D21/819  
 D919,732 S \* 5/2021 Hunter ..... D21/819  
 D925,685 S \* 7/2021 Lahdenpera ..... D21/821  
 2006/0252563 A1 \* 11/2006 Werner ..... A63G 21/18  
 472/117  
 2009/0017927 A1 \* 1/2009 Shozi ..... A63G 21/18  
 472/117  
 2009/0143155 A1 \* 6/2009 Werner ..... A63G 21/18  
 472/117  
 2011/0287848 A1 \* 11/2011 Bradley ..... A63G 21/18  
 472/117  
 2017/0106295 A1 \* 4/2017 Hunter ..... A63G 21/18

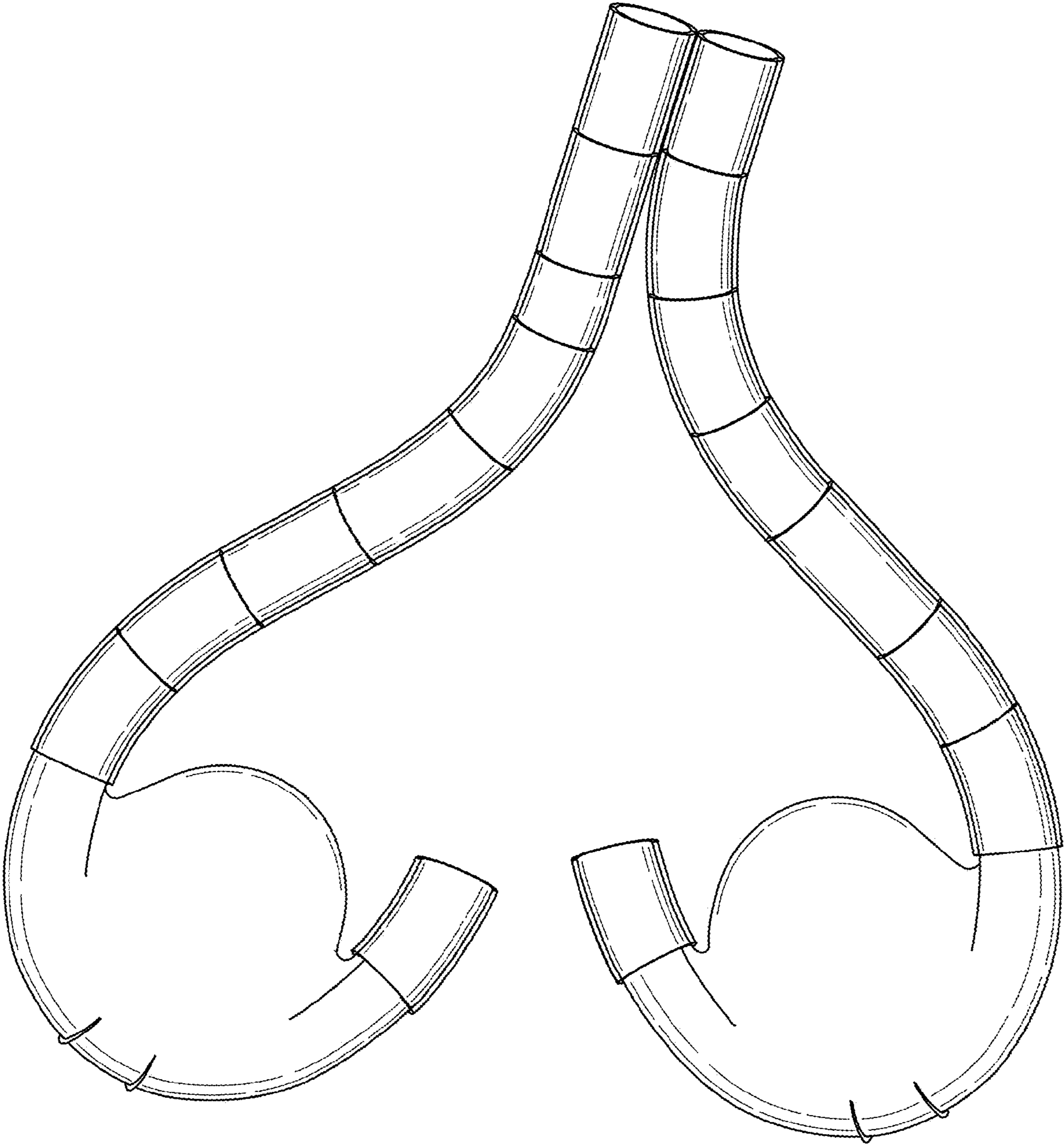
\* cited by examiner



**FIG. 1**



**FIG. 2**



**FIG. 3**

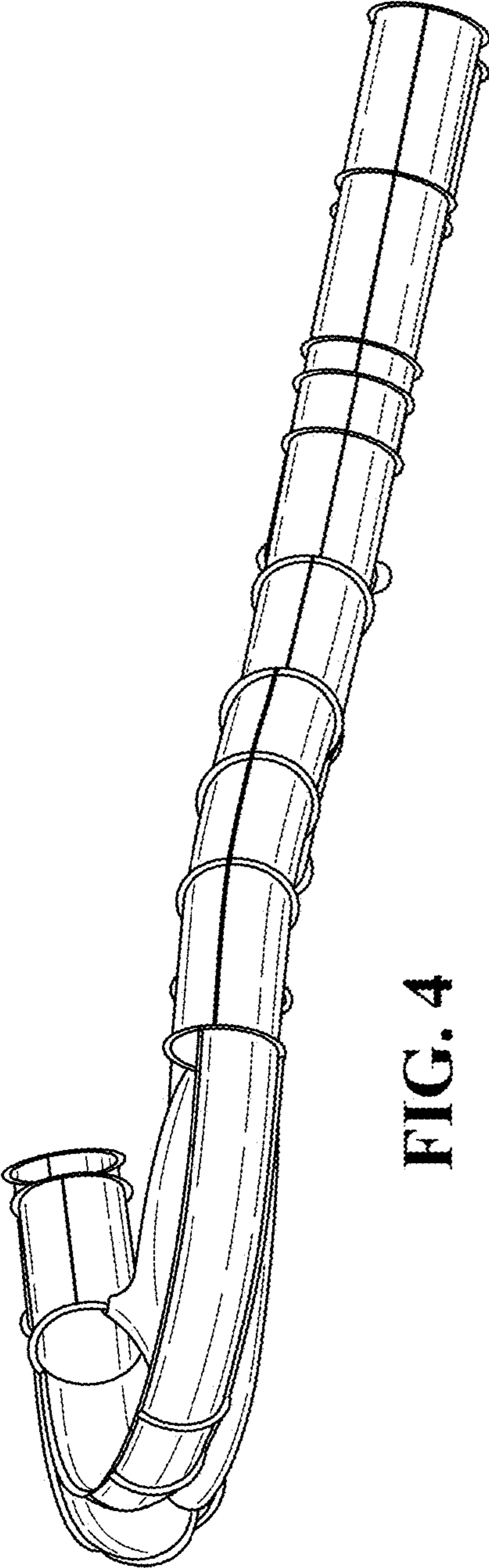


FIG. 4

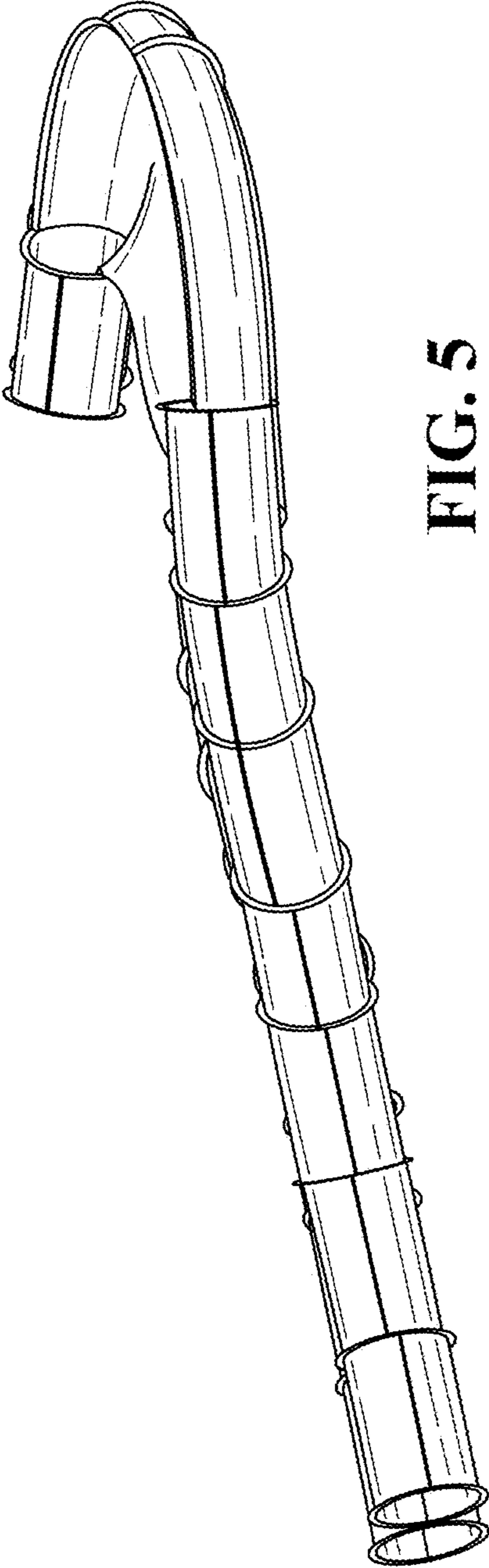
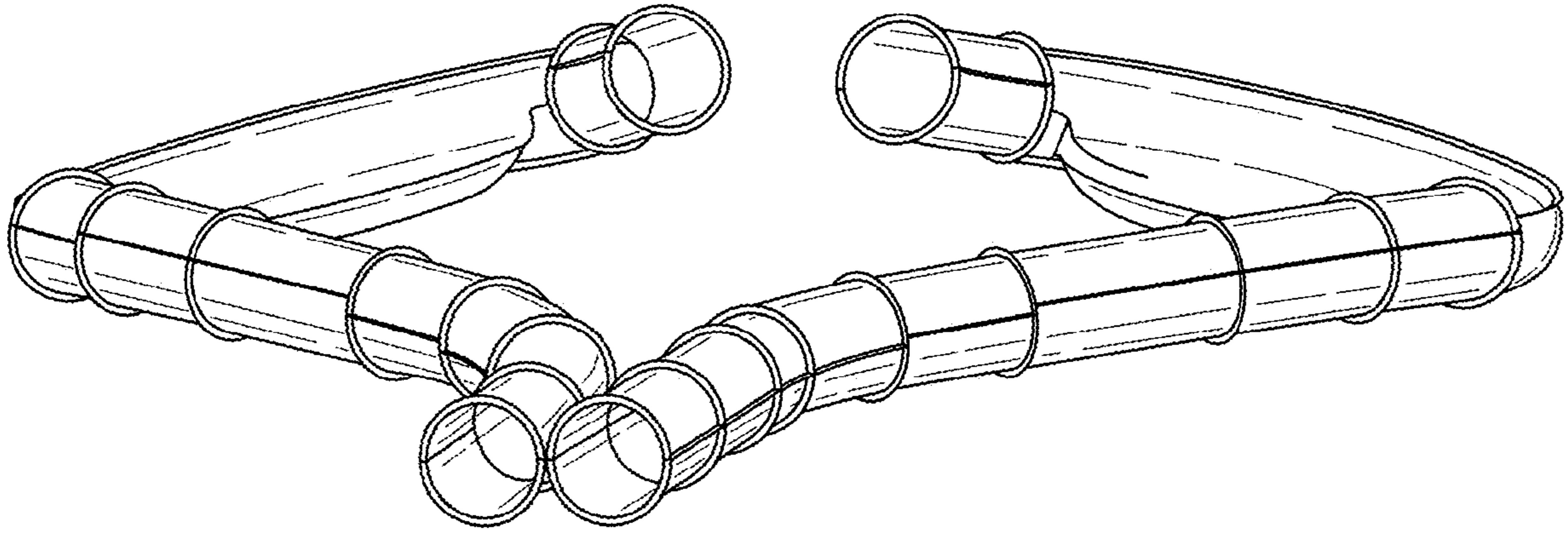
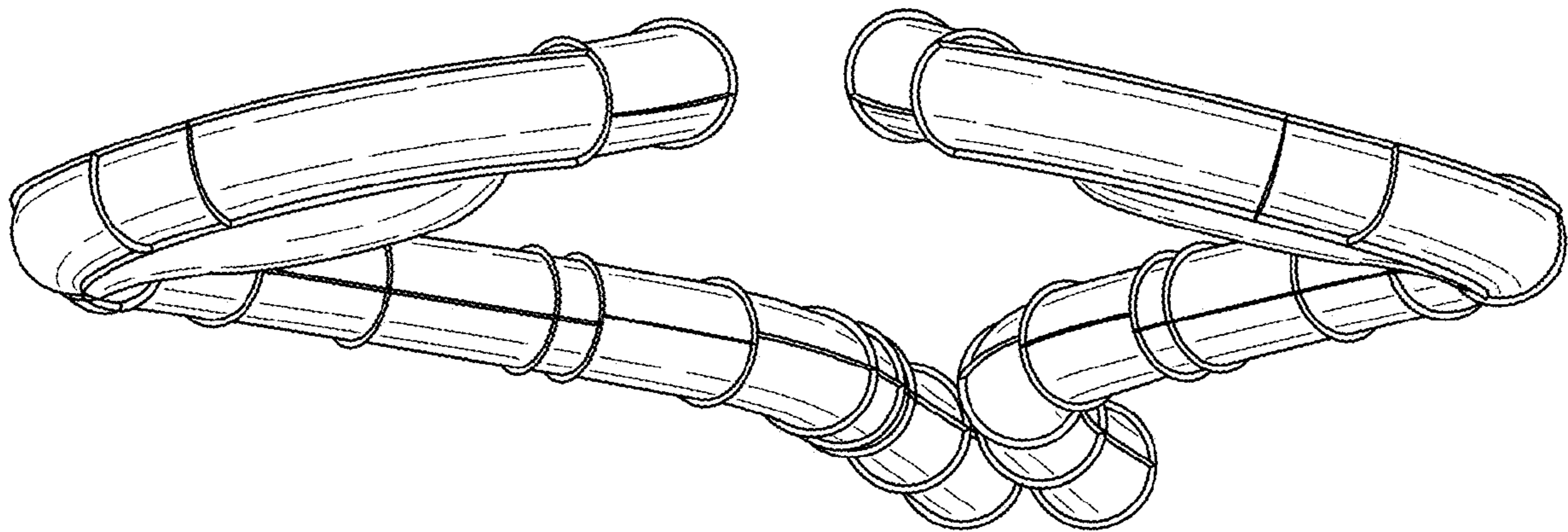


FIG. 5



**FIG. 6**



**FIG. 7**