



US00D943042S

(12) **United States Design Patent**
Peterson et al.

(10) **Patent No.:** **US D943,042 S**

(45) **Date of Patent:** **** *Feb. 8, 2022**

(54) **DOMED GOLF BALL MARKER**

(71) Applicant: **On Point Ball Marker LLC**, Basalt, CO (US)

(72) Inventors: **Briston Peterson**, Basalt, CO (US);
James Joseph Verna, Basalt, CO (US)

(73) Assignee: **ON POINT BALL MARKER LLC**, Basalt, CO (US)

(*) Notice: This patent is subject to a terminal disclaimer.

(**) Term: **15 Years**

(21) Appl. No.: **29/720,443**

(22) Filed: **Jan. 13, 2020**

Related U.S. Application Data

(62) Division of application No. 29/655,568, filed on Jul. 5, 2018, now Pat. No. Des. 872,817.

(51) **LOC (13) Cl.** **21-02**

(52) **U.S. Cl.**
USPC **D21/794**

(58) **Field of Classification Search**
USPC D21/793-794, 789, 386
CPC A63B 57/353; A63B 57/207; A63B 57/00;
A63B 57/30; A63B 57/35; A63B 57/50
See application file for complete search history.

(56) **References Cited**

U.S. PATENT DOCUMENTS

- 1,541,504 A 6/1925 Hunter
- 1,558,078 A * 10/1925 Darby A63B 57/40
473/405
- 1,789,525 A * 1/1931 Hoff E01F 9/553
404/15
- 3,099,450 A * 7/1963 Randall A63H 33/18
473/588
- 3,540,735 A 11/1970 Miller

(Continued)

FOREIGN PATENT DOCUMENTS

- CA 2920230 A1 2/2015
- KR 20080005443 U 11/2008
- KR 20090058485 A 6/2009

OTHER PUBLICATIONS

U.S. Appl. No. 16/358,265, Non final Office Action dated Mar. 31, 2020, 15 pp.

(Continued)

Primary Examiner — Mitchell I. Siegel

(74) *Attorney, Agent, or Firm* — Lathrop GPM LLP

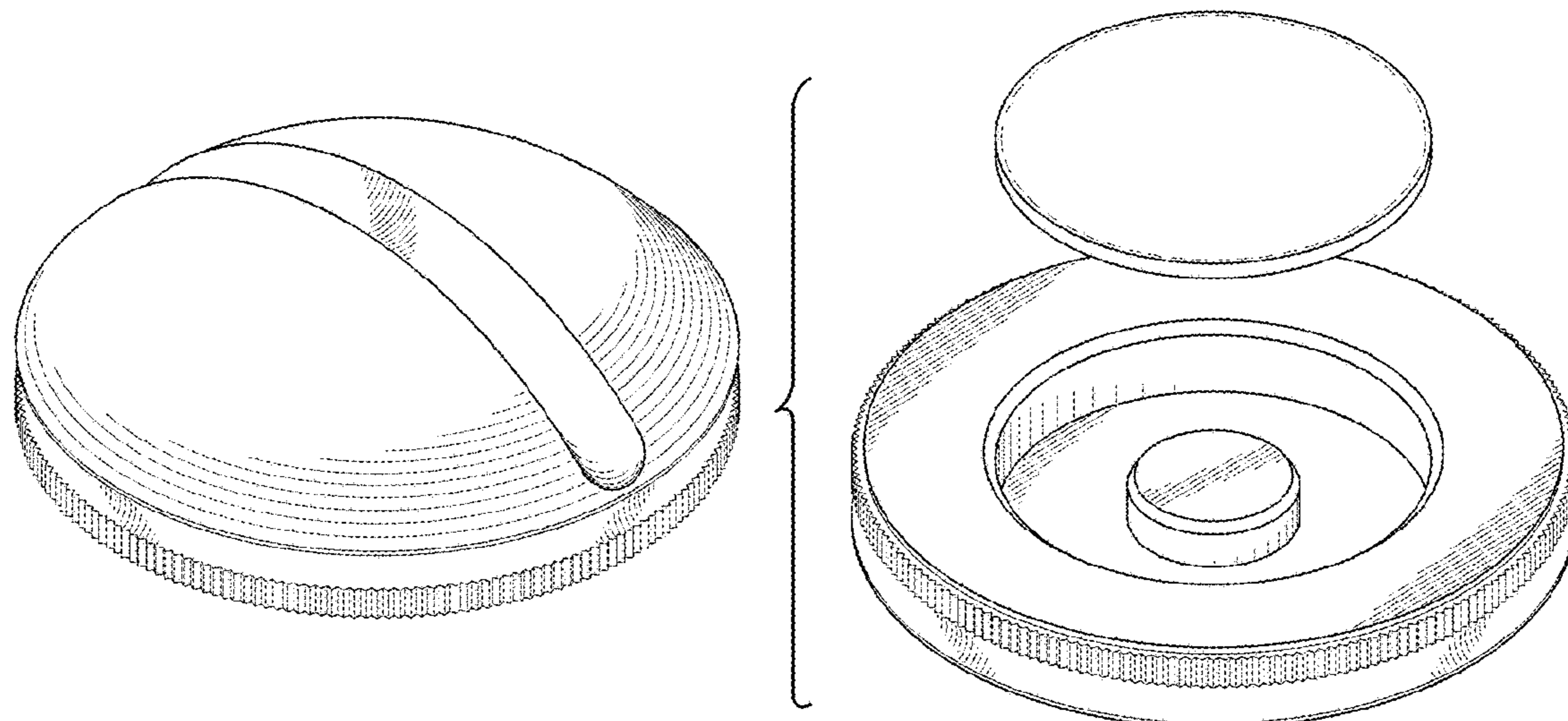
(57) **CLAIM**

The ornamental design for a domed golf ball marker, as shown and described.

DESCRIPTION

FIG. 1 is a perspective view of a domed golf ball marker in accordance with the new design;
 FIG. 2 is an exploded bottom a perspective view thereof;
 FIG. 3 is a top plan view thereof;
 FIG. 4 is a bottom plan view thereof;
 FIG. 5 is a front elevational view thereof;
 FIG. 6 is a side elevational view thereof;
 FIG. 7 is a perspective view of a second embodiment of the domed golf ball marker in accordance with the new design;
 FIG. 8 is a top plan view of the domed golf ball marker of FIG. 7;
 FIG. 9 is a front plan view of the domed golf ball marker of FIG. 7; and,
 FIG. 10 is a side elevational view of the domed golf ball marker of FIG. 7.
 The broken lines in FIGS. 1-10 illustrate portions of the domed golf ball marker that form no part of the claimed design.

1 Claim, 5 Drawing Sheets



(56)

References Cited

U.S. PATENT DOCUMENTS

D220,769 S 5/1971 LaHue
 4,128,238 A 12/1978 Newcomb
 4,858,925 A * 8/1989 DeStefano, Jr. A63B 57/353
 473/285
 5,305,999 A 4/1994 Tate
 D361,558 S 8/1995 Siano, Jr.
 5,437,446 A * 8/1995 Youngkin A63B 69/3676
 473/409
 5,476,258 A 12/1995 Frisone
 5,478,612 A 12/1995 Hack
 D373,115 S 8/1996 Logan
 D378,516 S 3/1997 Smith
 5,743,180 A * 4/1998 Arnke A63B 45/02
 101/35
 5,795,248 A 8/1998 Giglio
 D400,440 S 11/1998 Tucker
 6,077,174 A * 6/2000 Noritake A63B 57/353
 473/406
 6,095,933 A * 8/2000 Smith A63B 57/12
 473/404
 6,125,747 A * 10/2000 Elliott A63B 45/02
 101/35
 6,422,955 B1 7/2002 Lopez
 D503,085 S 3/2005 McGrath, Jr.
 D526,239 S * 8/2006 Porter D11/133
 D527,066 S * 8/2006 Greiner D21/790
 D540,902 S * 4/2007 Regalado D21/794
 D554,725 S * 11/2007 Park D21/793
 D588,670 S * 3/2009 Walz D21/794
 7,549,930 B2 6/2009 Rice
 D605,719 S 12/2009 Bernal-Silva
 D607,527 S 1/2010 Bernal-Silva
 7,654,920 B2 * 2/2010 Perry A63B 45/02
 473/408

D616,953 S * 6/2010 Shinki D21/794
 D622,799 S * 8/2010 Cameron A63B 59/50
 D21/794
 7,819,762 B2 10/2010 Bernal-Silva
 D632,351 S 2/2011 Scott
 7,922,605 B2 4/2011 Lim
 8,016,698 B2 * 9/2011 Cameron A63B 57/50
 473/406
 8,057,326 B2 11/2011 Woodbury
 D654,539 S 2/2012 Hobbs
 D661,761 S * 6/2012 Cameron D21/794
 8,216,091 B2 7/2012 Neal
 D704,291 S * 5/2014 Snyder D21/794
 D721,152 S * 1/2015 Kokoska D21/794
 D736,334 S * 8/2015 Perry D21/793
 D741,972 S * 10/2015 McDevitt D21/794
 D816,178 S * 4/2018 Goserud D21/794
 D837,325 S * 1/2019 Dardenne D21/793
 D849,508 S 5/2019 Shorr
 D872,817 S * 1/2020 Peterson D21/794
 D889,580 S * 7/2020 Peterson D21/794
 D892,248 S * 8/2020 Beard D21/794
 D907,153 S * 1/2021 Peterson D21/794
 D914,821 S * 3/2021 Leposky D21/794
 2011/0053711 A1 3/2011 Trafford
 2012/0210615 A1 8/2012 Coney
 2015/0065271 A1 3/2015 Peterson
 2017/0087436 A1 3/2017 Peterson
 2017/0164152 A1 6/2017 Rosenthal
 2018/0345101 A1 12/2018 Youn
 2019/0282871 A1 * 9/2019 Peterson A63B 57/207

OTHER PUBLICATIONS

U.S. Appl. No. 29/672,877, Notice of Allowance dated Jun. 4, 2020,
 11 pp.

* cited by examiner

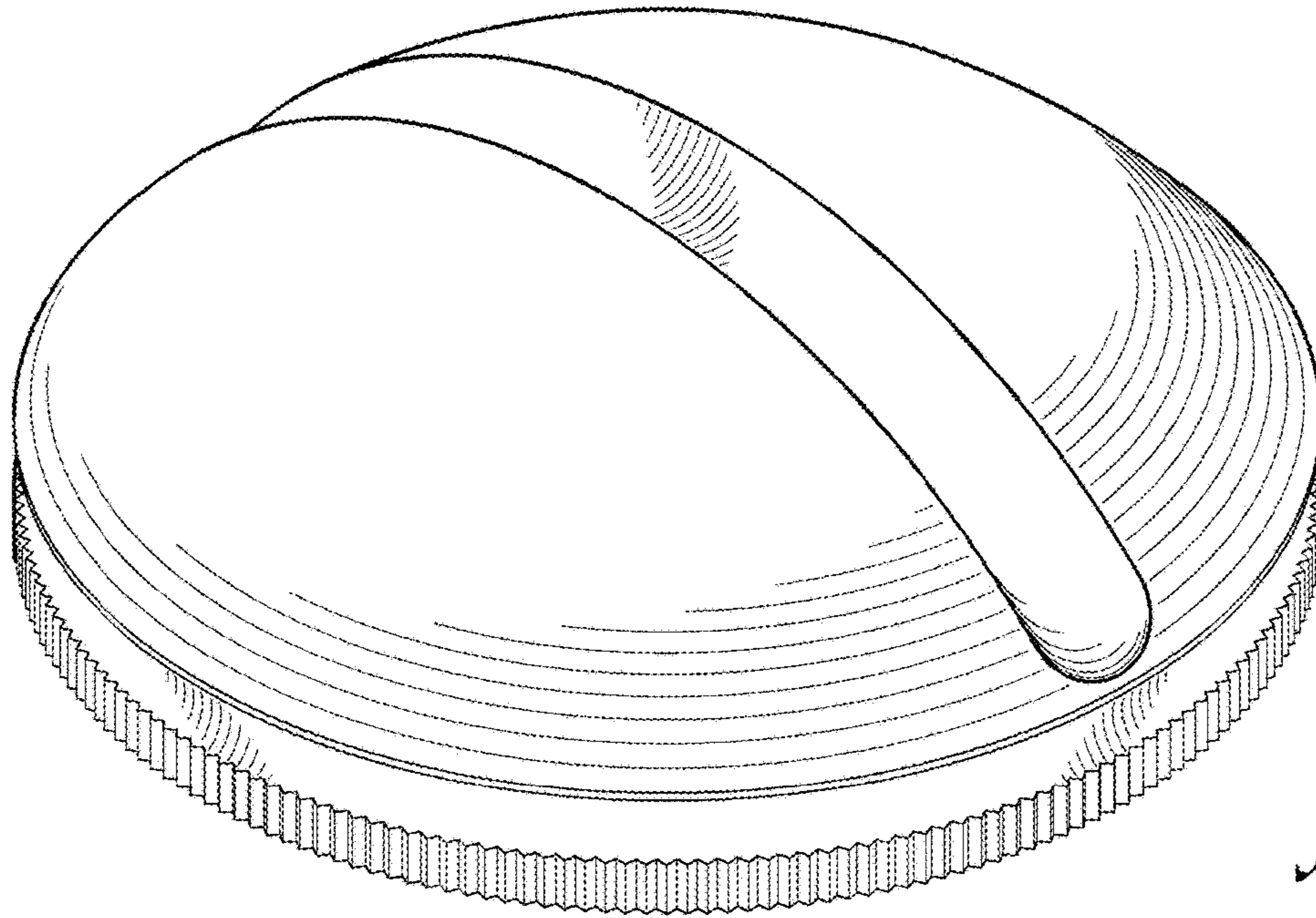


Fig. 1

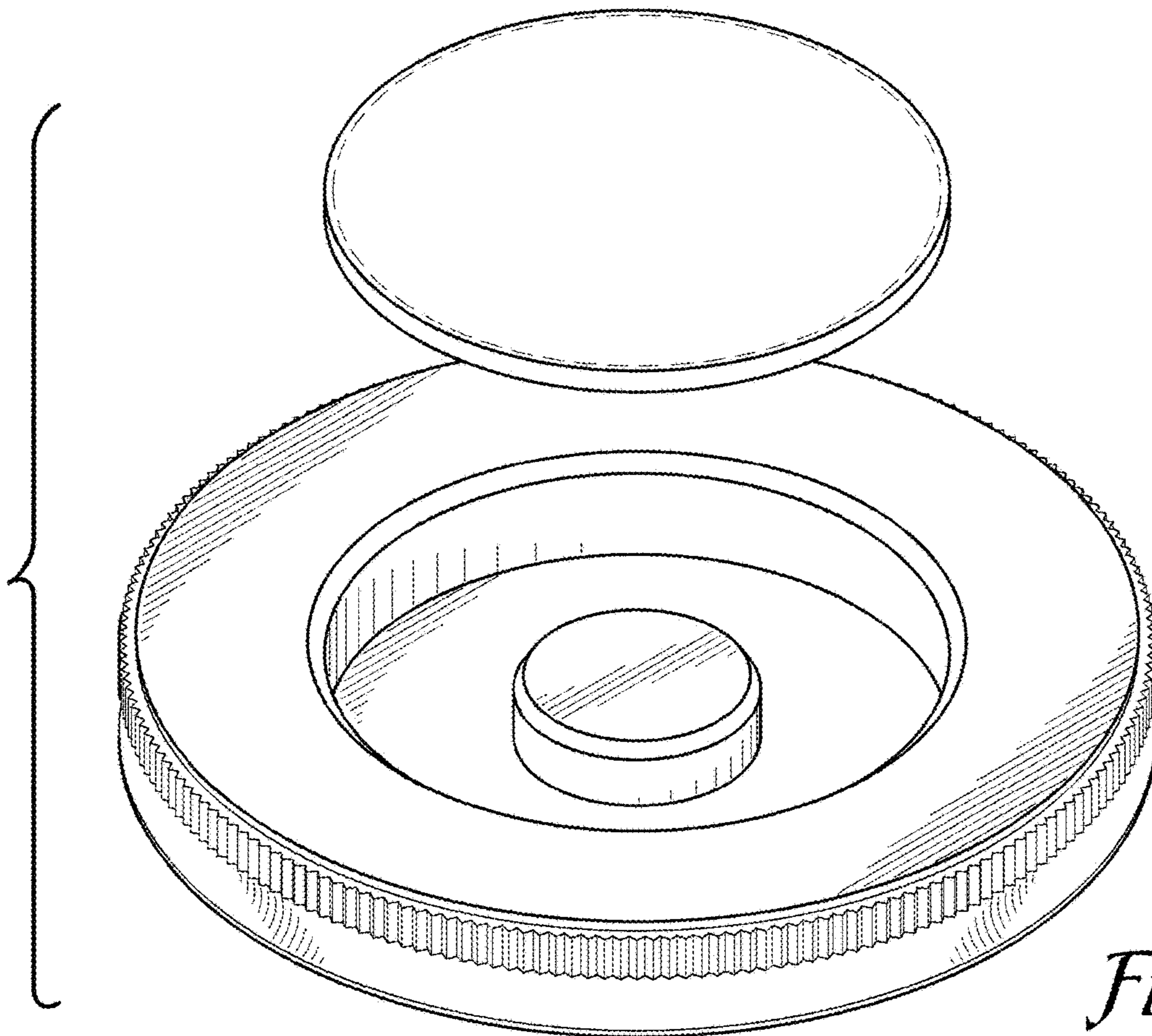


Fig. 2

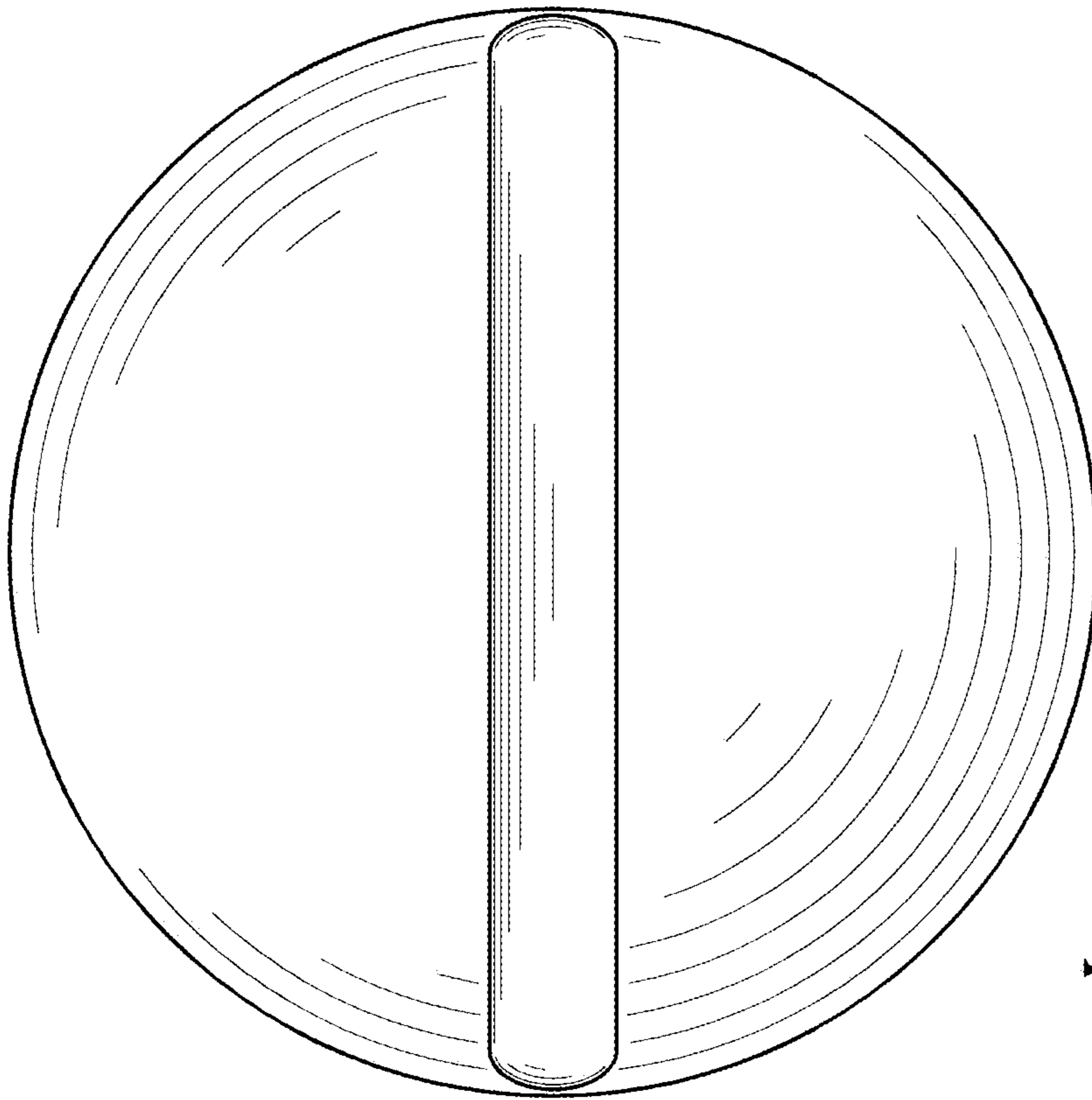


Fig. 3

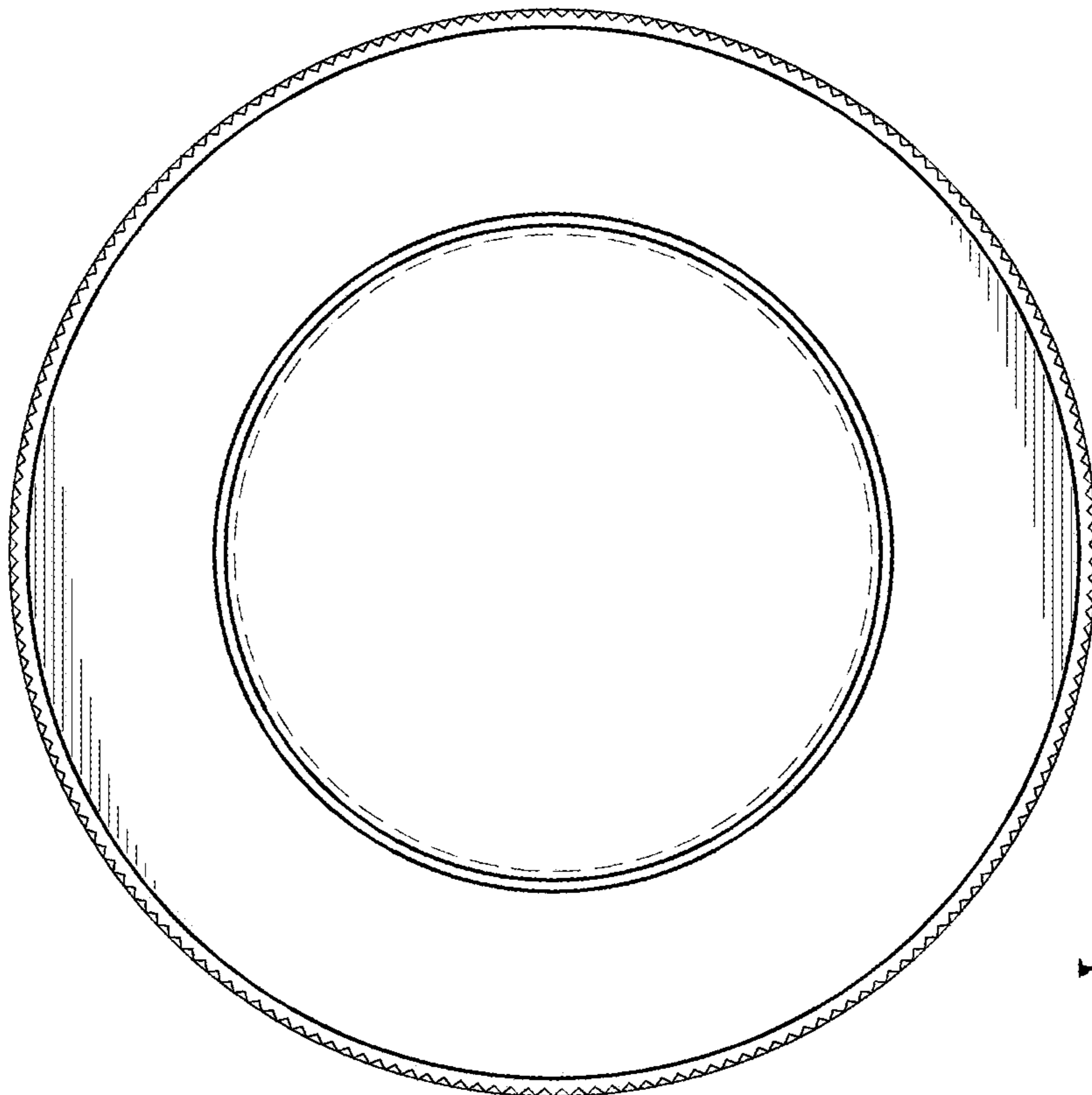


Fig. 4

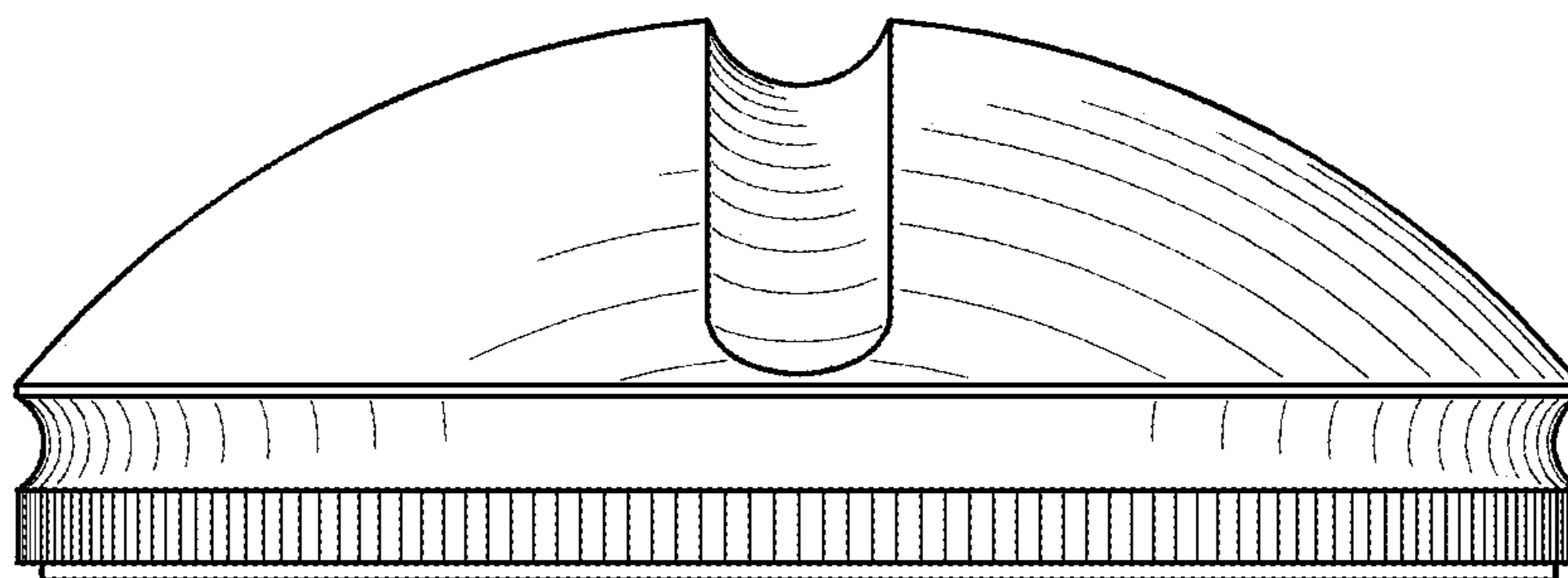


Fig. 5

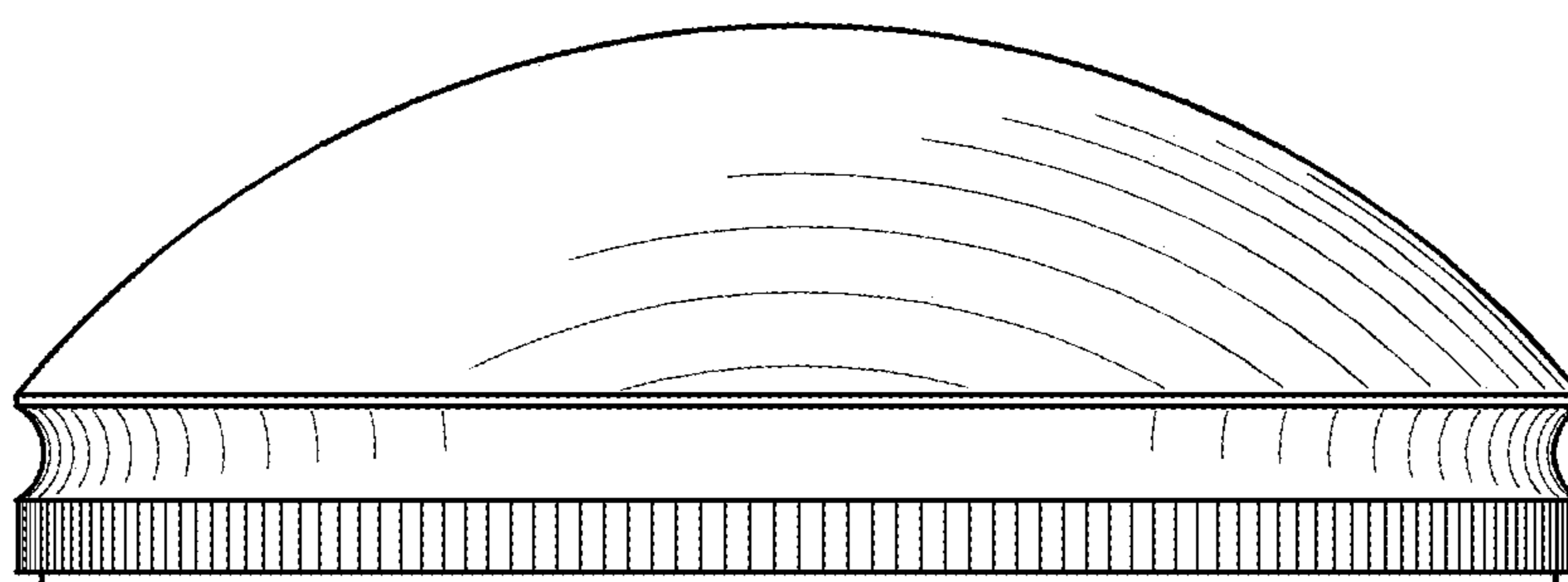


Fig. 6

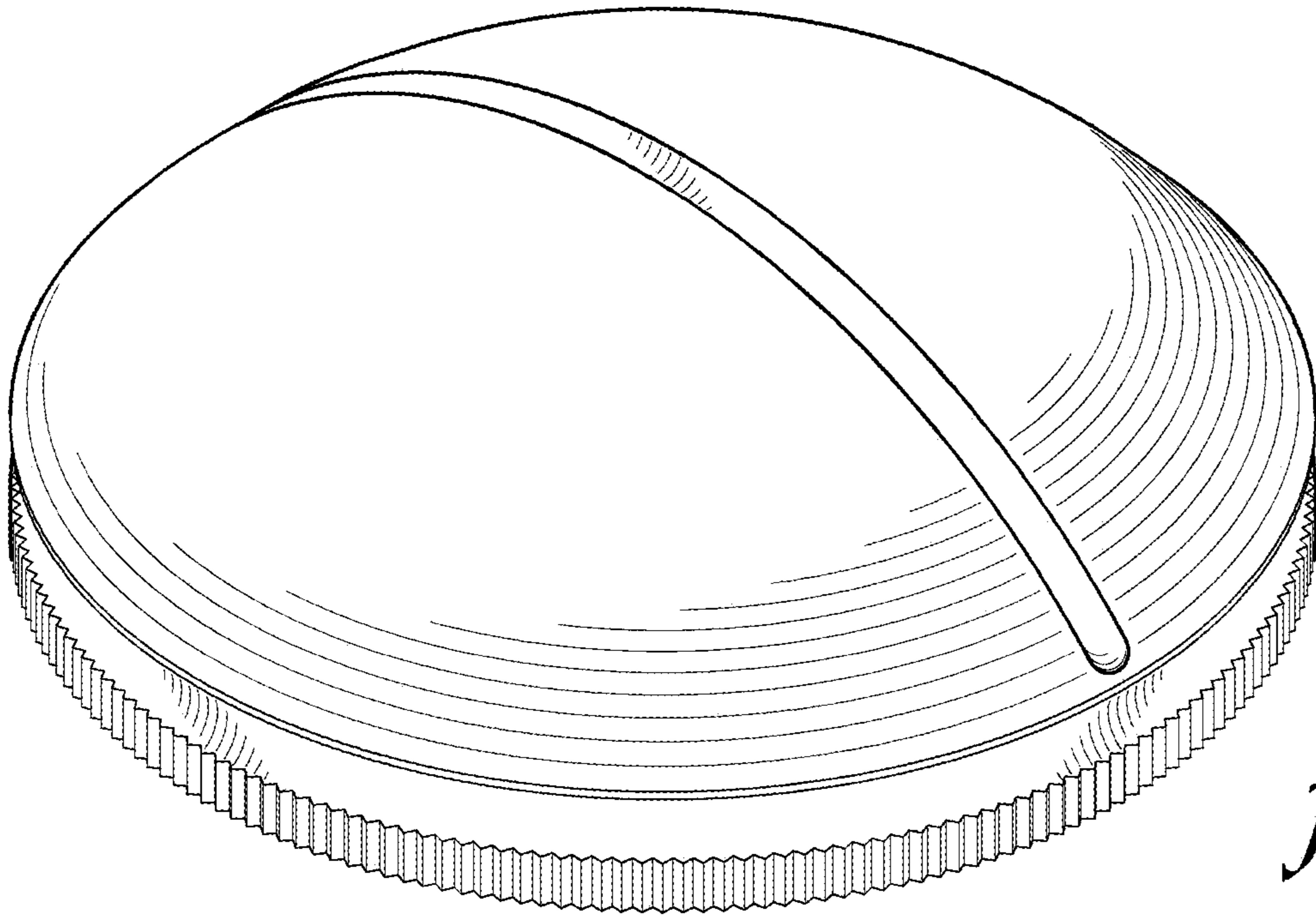


Fig. 7

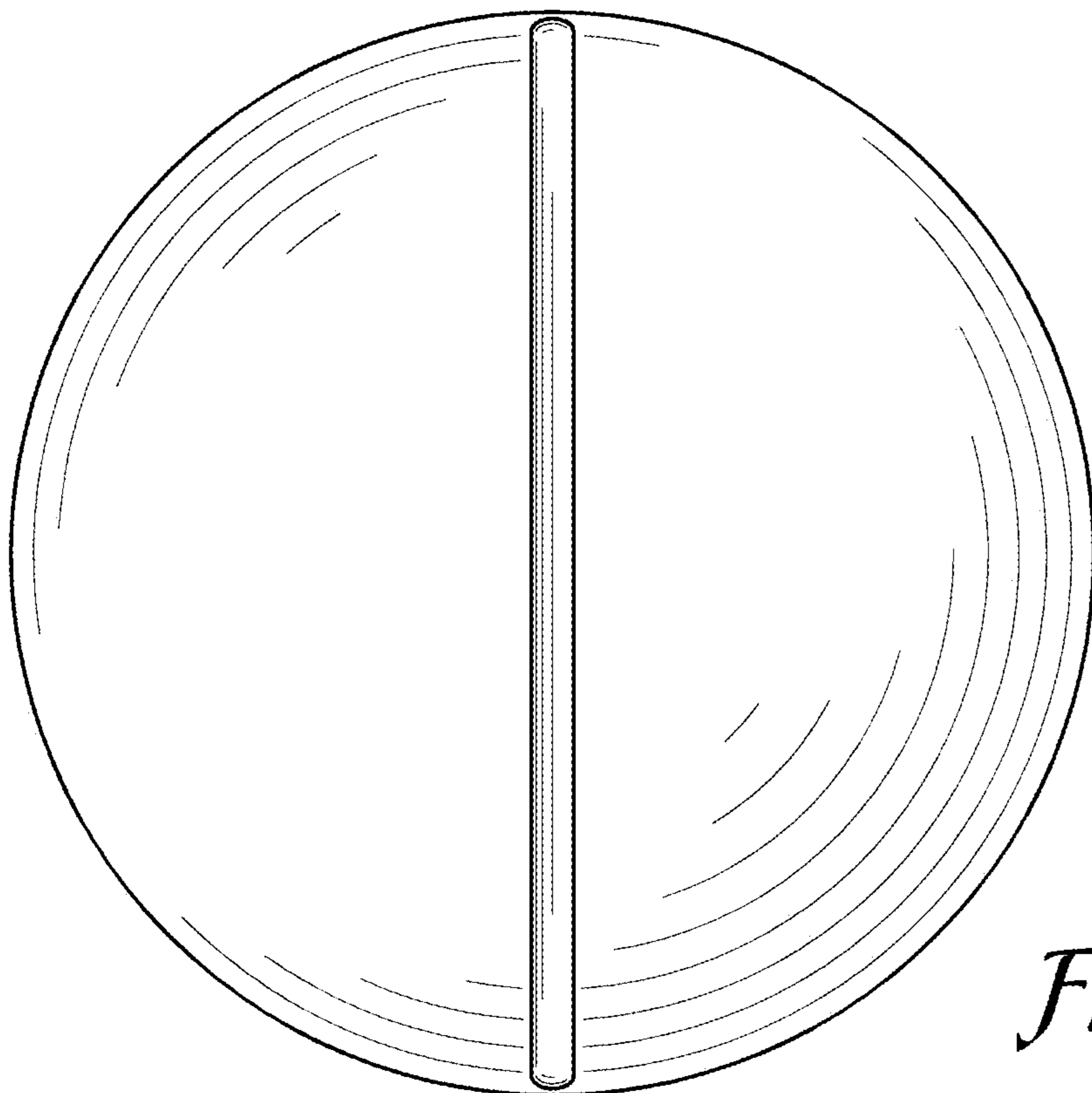


Fig. 8

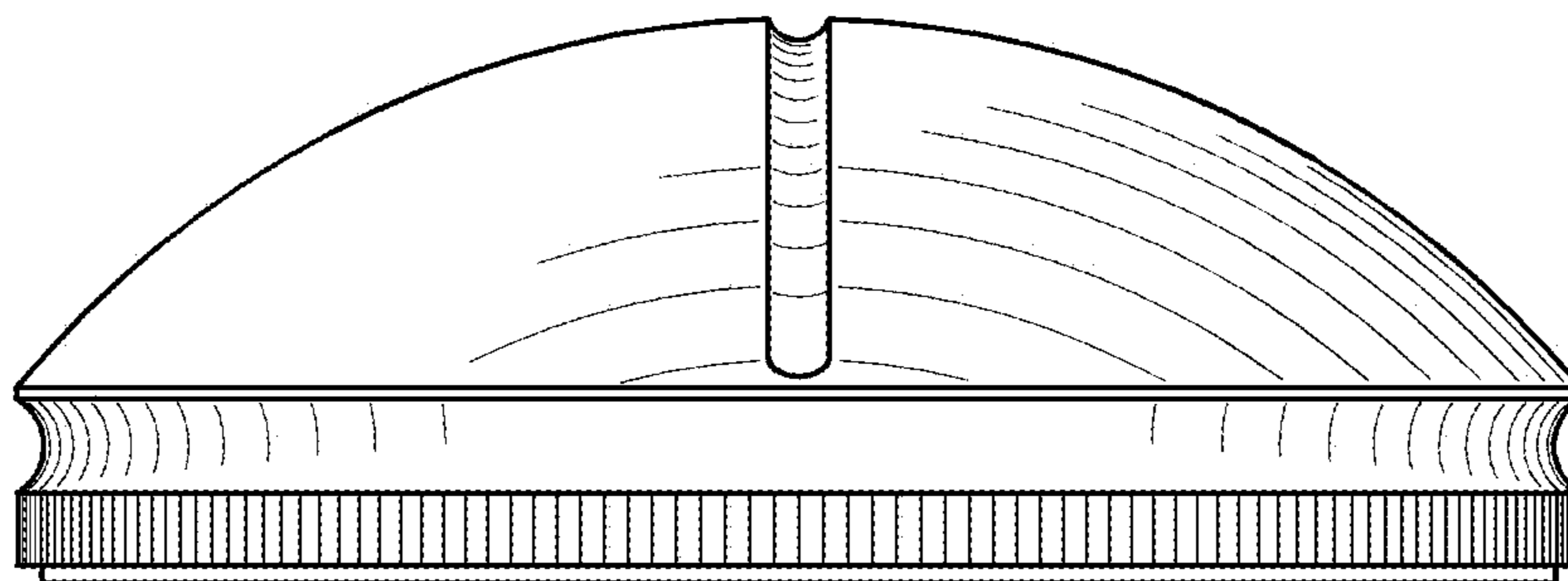


Fig. 9

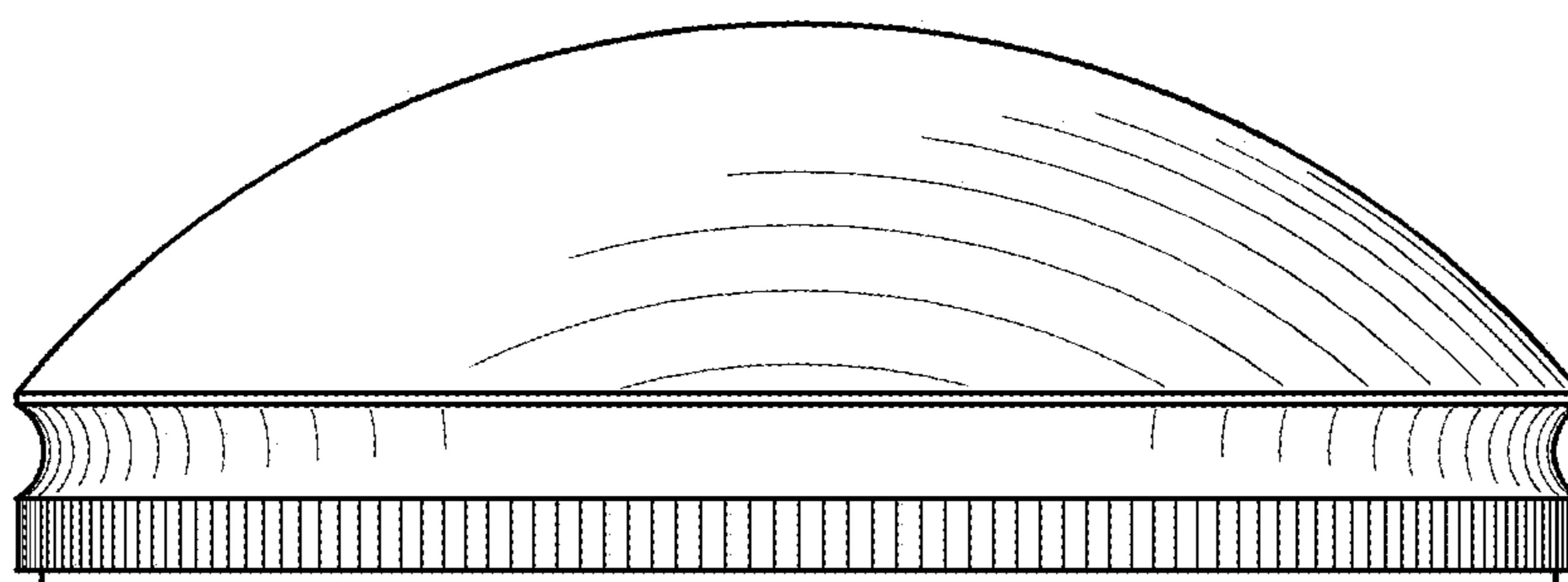


Fig. 10