



US00D943041S

(12) **United States Design Patent**
Scott et al.

(10) **Patent No.:** **US D943,041 S**

(45) **Date of Patent:** **** Feb. 8, 2022**

(54) **PUTTER HEAD**

(71) Applicants: **Philip Andrew Scott**, Sanctuary Cove (AU); **Fatiha Sahnoune**, Sanctuary Cove (AU)

(72) Inventors: **Philip Andrew Scott**, Sanctuary Cove (AU); **Fatiha Sahnoune**, Sanctuary Cove (AU)

(**) Term: **15 Years**

(21) Appl. No.: **29/739,590**

(22) Filed: **Jun. 26, 2020**

(51) **LOC (13) Cl.** **21-02**

(52) **U.S. Cl.**
USPC **D21/736**

(58) **Field of Classification Search**
USPC D21/736-746, 759
CPC A63B 53/00; A63B 53/04; A63B 53/007;
A63B 53/065; A63B 53/048; A63B 60/00; A63B 60/04
See application file for complete search history.

(56) **References Cited**

U.S. PATENT DOCUMENTS

D229,844 S	*	1/1974	Pavelle	D21/741
D438,858 S	*	3/2001	del Castillo	D14/188
D500,539 S	*	1/2005	Holloway	D21/736
D502,518 S	*	3/2005	Smart	D21/736
D509,273 S	*	9/2005	Morris	D21/742
D510,396 S	*	10/2005	Rollinson	D21/759
D512,757 S	*	12/2005	Cleveland	D21/747

D530,761 S	*	10/2006	Evans	D21/752
D532,069 S	*	11/2006	Tang	D21/752
D543,252 S	*	5/2007	Haggstrom	D21/736
D544,933 S	*	6/2007	Evans	D21/752
D556,278 S	*	11/2007	Mahaffey	D21/747
7,347,793 B2	*	3/2008	Davis	A63B 60/02 473/305
D598,966 S	*	8/2009	Pontius	D21/743
D600,759 S	*	9/2009	Cokewell	D21/736
D707,771 S	*	6/2014	Cameron	D21/759
D788,237 S	*	5/2017	Cameron	D21/759
D791,254 S	*	7/2017	Ramsauer	D21/744
2021/0331043 A1	*	10/2021	Scott	A63B 53/02

* cited by examiner

Primary Examiner — Mitchell I. Siegel

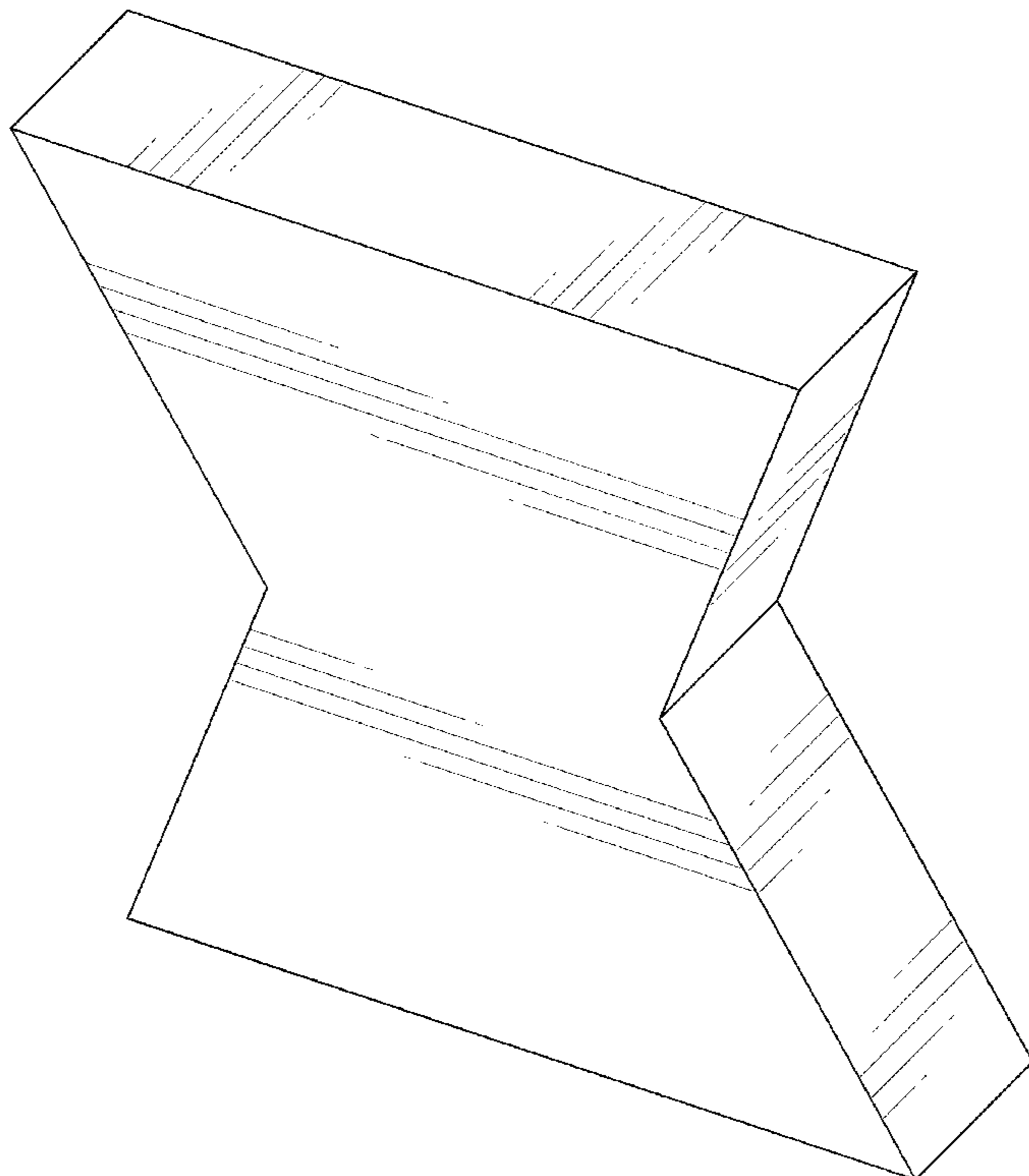
(57) **CLAIM**

The ornamental design for a putter head, as shown and described.

DESCRIPTION

FIG. 1 is a front-top perspective view of a putter head showing my new design;
FIG. 2 is a front-bottom perspective view thereof;
FIG. 3 is a rear-top perspective view thereof;
FIG. 4 is a rear-bottom perspective view thereof;
FIG. 5 is a front elevational view thereof;
FIG. 6 is a rear elevational view thereof;
FIG. 7 is a left elevational view thereof;
FIG. 8 is a right elevational view thereof;
FIG. 9 is a top plan view thereof; and,
FIG. 10 is a bottom plan view thereof.

1 Claim, 10 Drawing Sheets



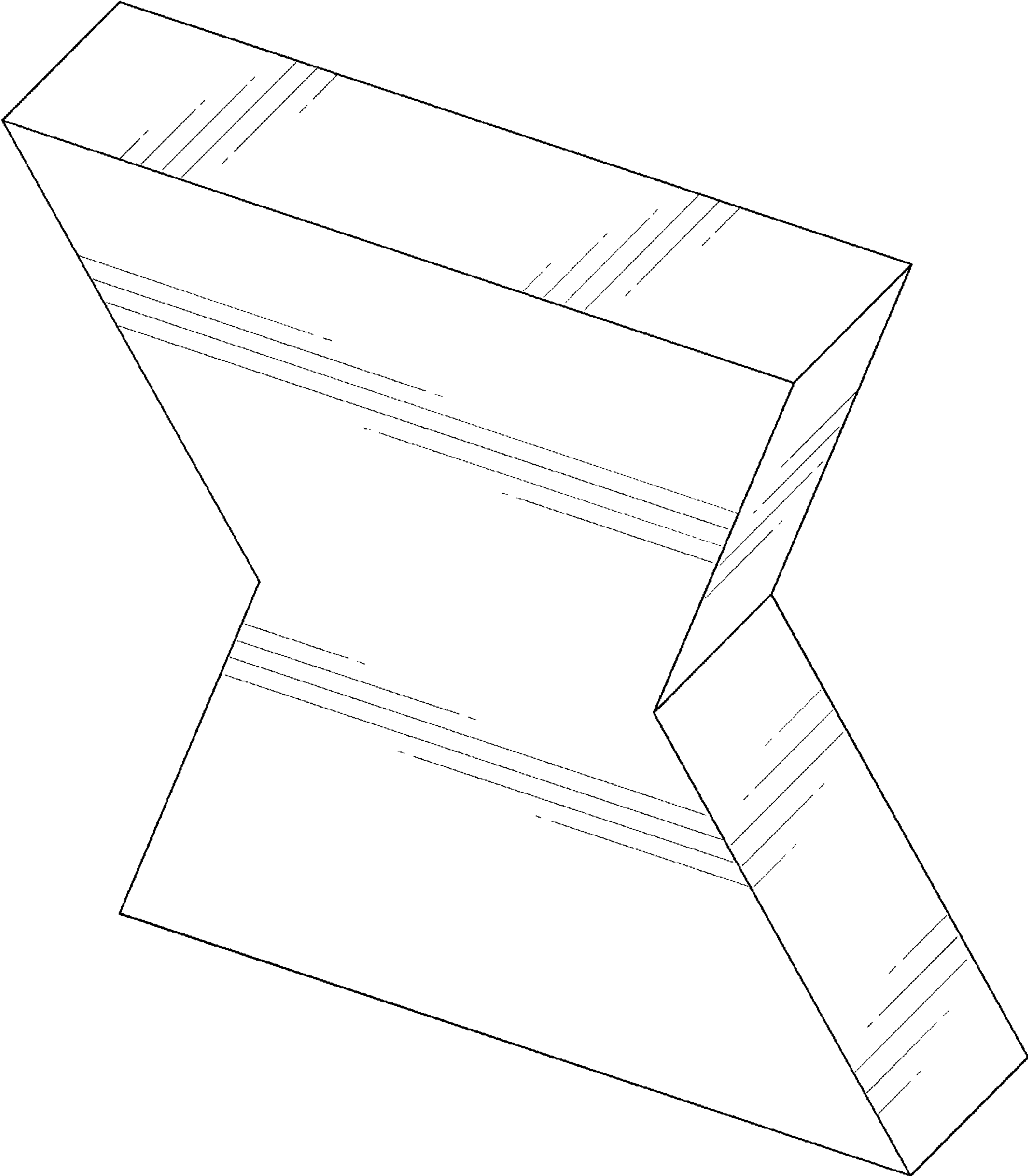


FIG. 1

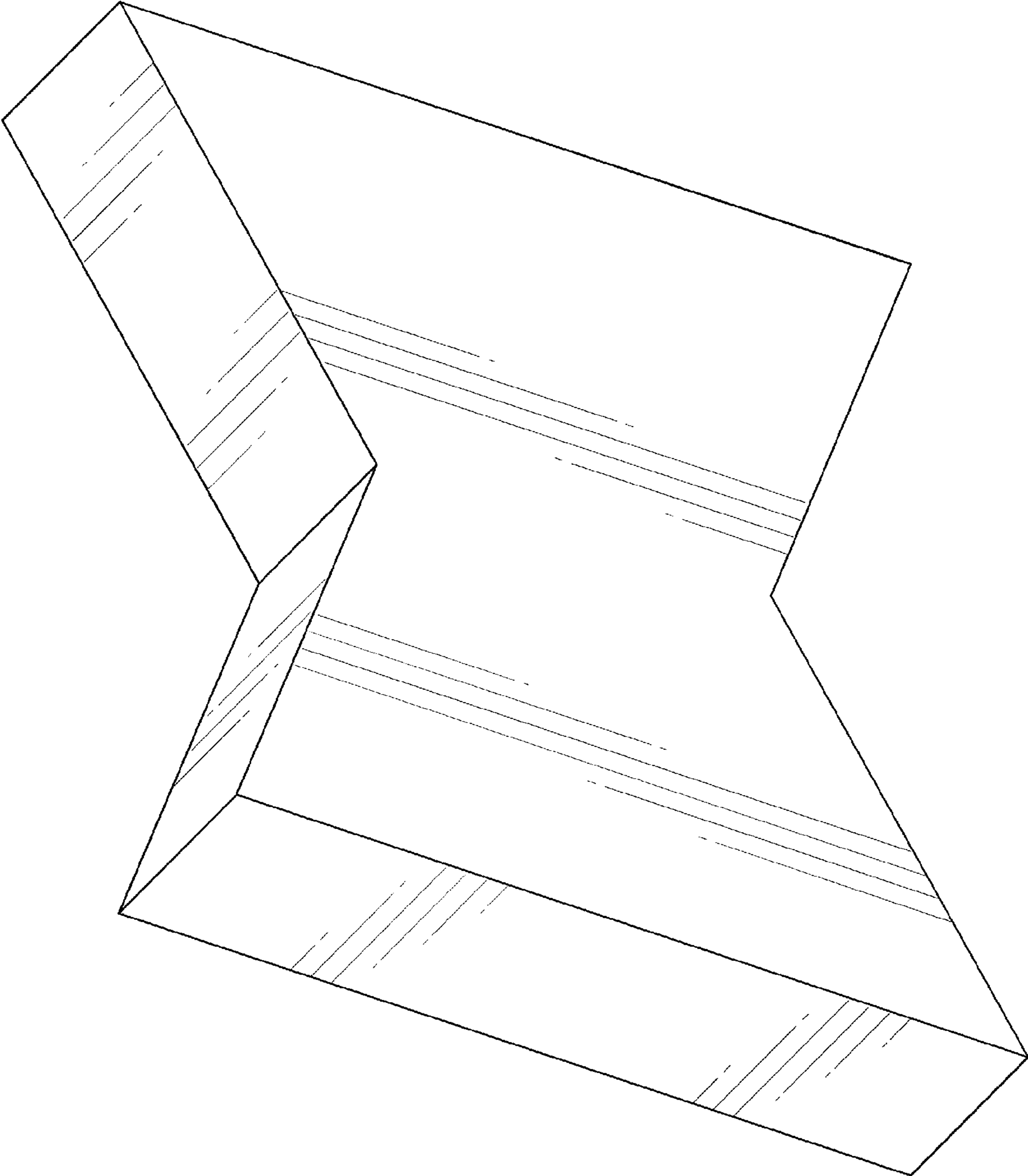


FIG. 2

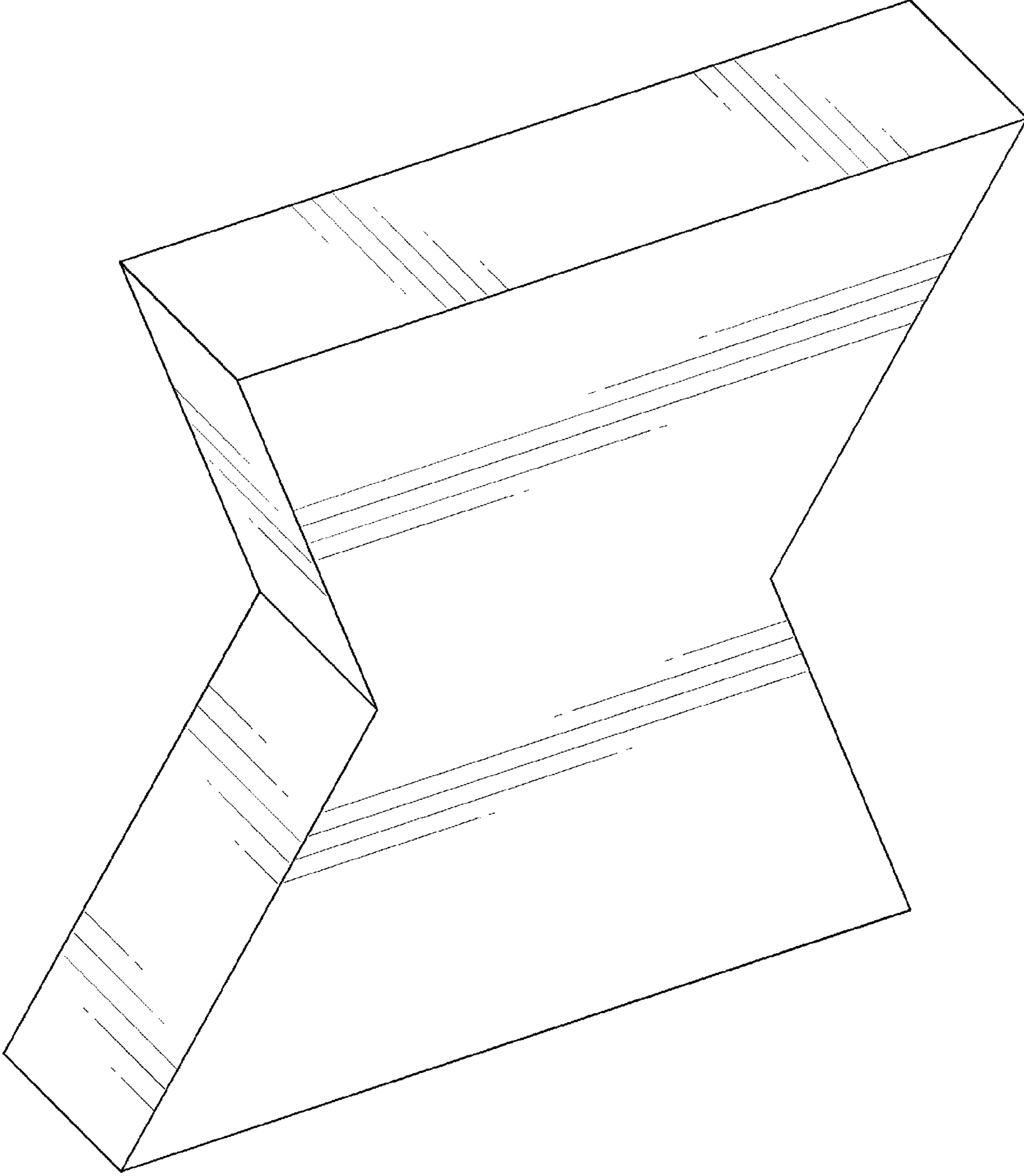


FIG. 3

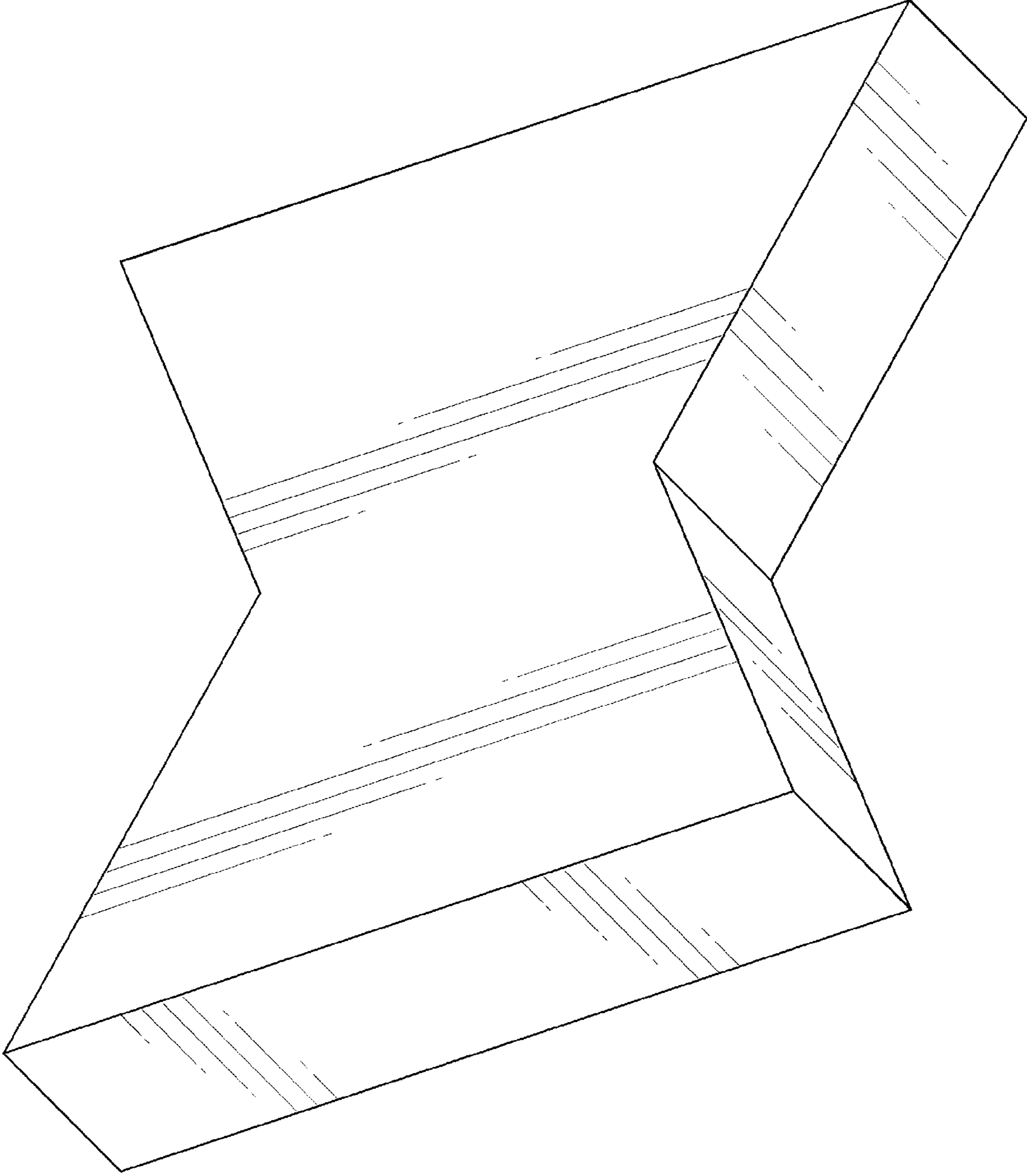


FIG. 4

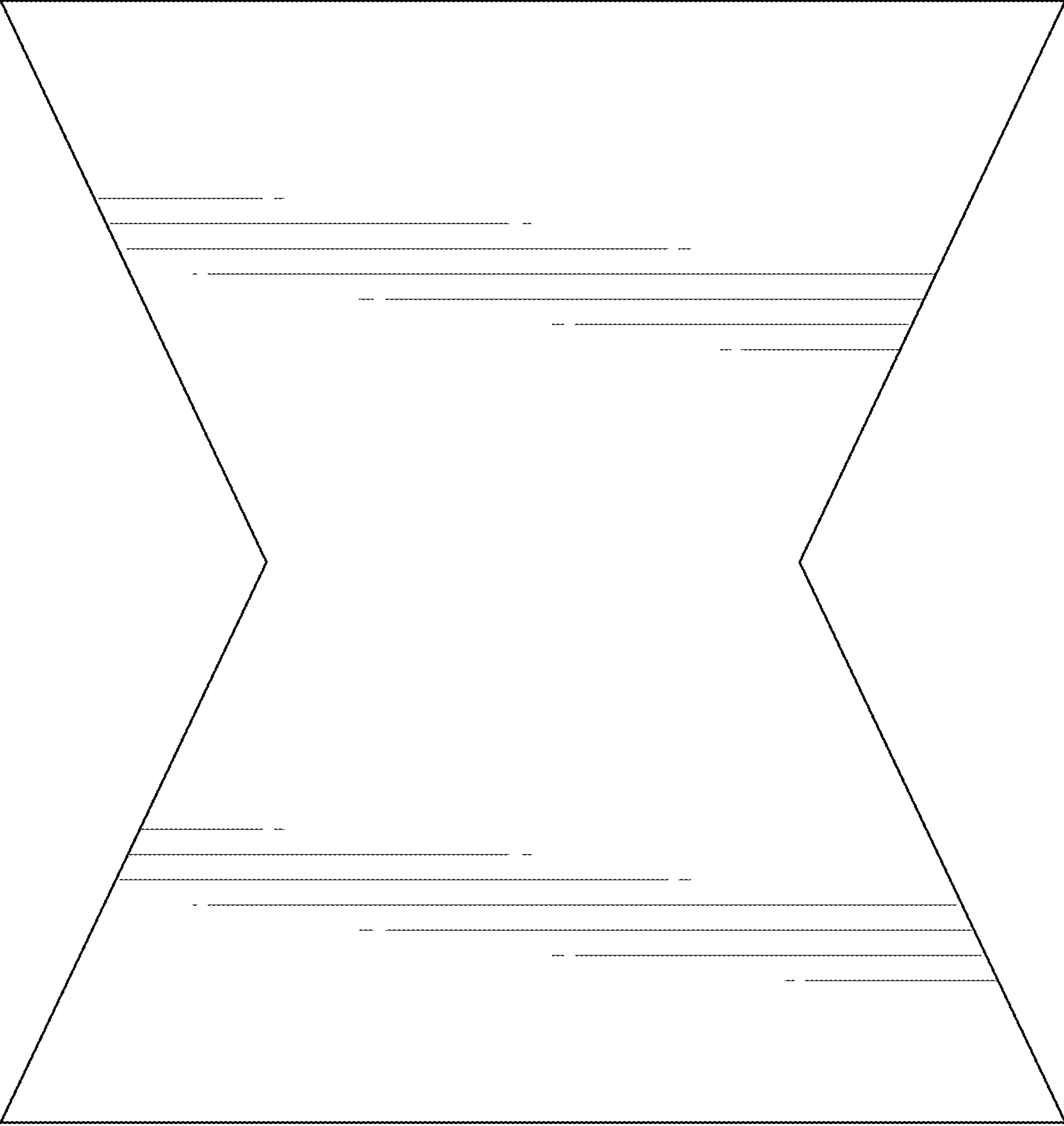


FIG. 5

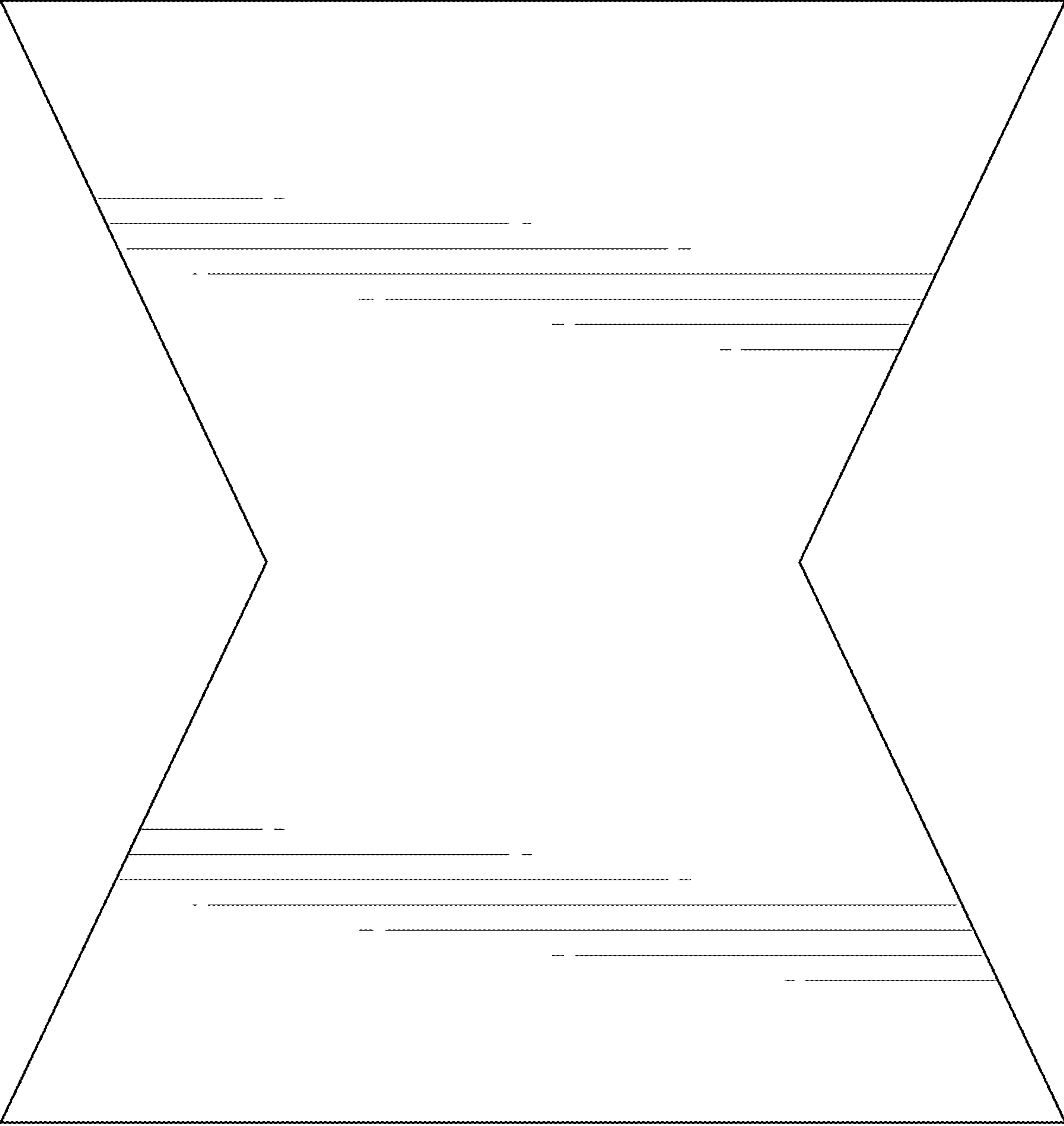


FIG. 6

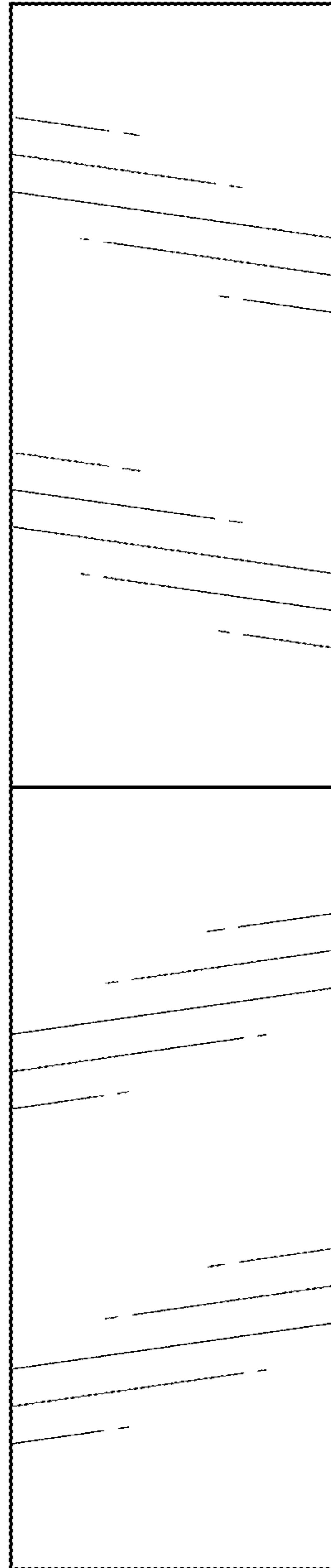


FIG. 7

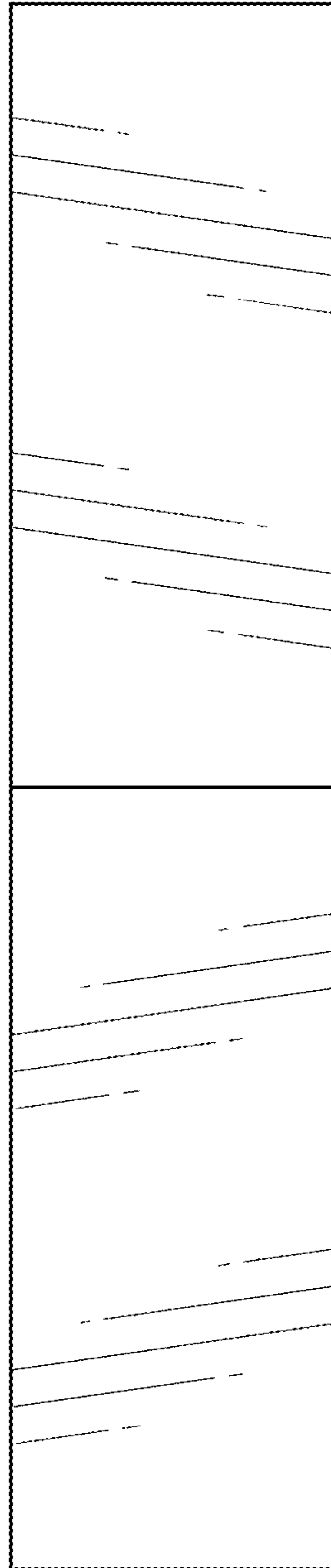


FIG. 8

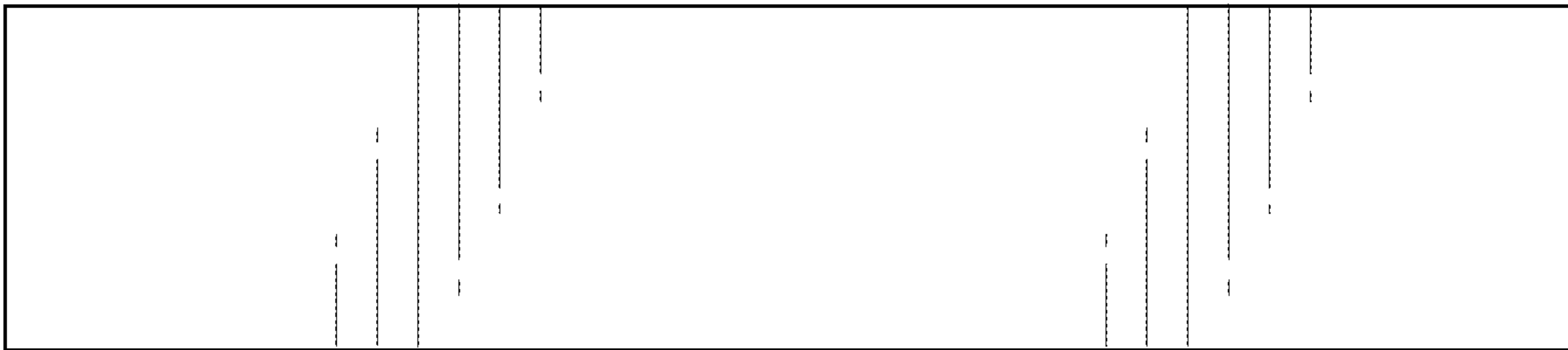


FIG. 9

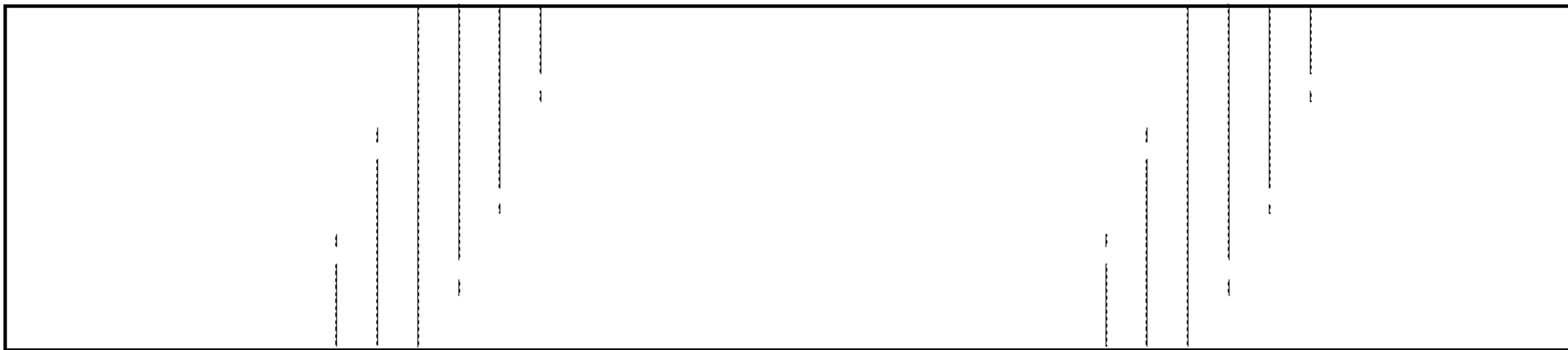


FIG. 10