



US00D943040S

(12) **United States Design Patent** (10) **Patent No.:** **US D943,040 S**
Nyquist et al. (45) **Date of Patent:** **** Feb. 8, 2022**

(54) **GYMNASTICS APPARATUS AND EQUIPMENT** 7,494,451 B1 * 2/2009 Ramos A63B 21/0728
 482/107
 D703,033 S * 4/2014 Karlsson D8/396
 D764,608 S * 8/2016 Jones D21/694
 D766,384 S * 9/2016 Jones D21/694
 D780,859 S * 3/2017 Ramsey D21/694
 D780,860 S * 3/2017 Jones D21/694
 D780,861 S * 3/2017 Jones D21/694
 9,764,183 B2 * 9/2017 Roepke A63B 21/0728
 D855,920 S * 8/2019 Schenone D34/12
 D865,881 S * 11/2019 Muir D21/694
 D885,173 S * 5/2020 Magagna D8/396
 D885,877 S * 6/2020 Magagna A63B 21/0728
 D895,745 S * 9/2020 Jones D21/694
 D900,946 S * 11/2020 Muir A63B 21/0728
 D21/694
 D905,805 S * 12/2020 Muir D21/694
 11,079,048 B2 * 8/2021 Magagna F16L 33/035
 2008/0287271 A1 * 11/2008 Jones F16B 2/185
 482/107

(71) Applicant: **Eleiko Group AB**, Halmstad (SE)

(72) Inventors: **Olov Nyquist**, Hågersten (SE);
Christoffer Carnmark, Solna (SE);
Mikaela Lagebjer Kekkonen, Solna (SE);
Alina Larm, Enköping (SE);
Lars Håkansson, Stockholm (SE)

(73) Assignee: **Eleiko Group AB**

(**) Term: **15 Years**

(21) Appl. No.: **35/511,295**

(22) Filed: **Dec. 1, 2020**

(80) **Hague Agreement Data**

Int. Filing Date: **Dec. 1, 2020**

Int. Reg. No.: **DM/212402**

Int. Reg. Date: **Dec. 1, 2020**

Int. Reg. Pub. Date: **Feb. 5, 2021**

(51) **LOC (13) Cl.** **21-02**

(52) **U.S. Cl.**
USPC **D21/694**

(58) **Field of Classification Search**
USPC D8/382, 383; D23/262; D21/680, 681,
D21/694
CPC A63B 21/072; A63B 21/0722; A63B
21/0724; A63B 21/0726; A63B 21/0728;
A63B 21/075; F16B 2/00; F16B 2/02;
F16B 2/06; F16B 2/18; F16B 2/185
See application file for complete search history.

(56) **References Cited**

U.S. PATENT DOCUMENTS

D280,433 S * 9/1985 Lincir D21/694
D584,604 S * 1/2009 Baldwin D8/396

* cited by examiner

Primary Examiner — Joseph Kukella

(74) *Attorney, Agent, or Firm* — Tucker Ellis LLP

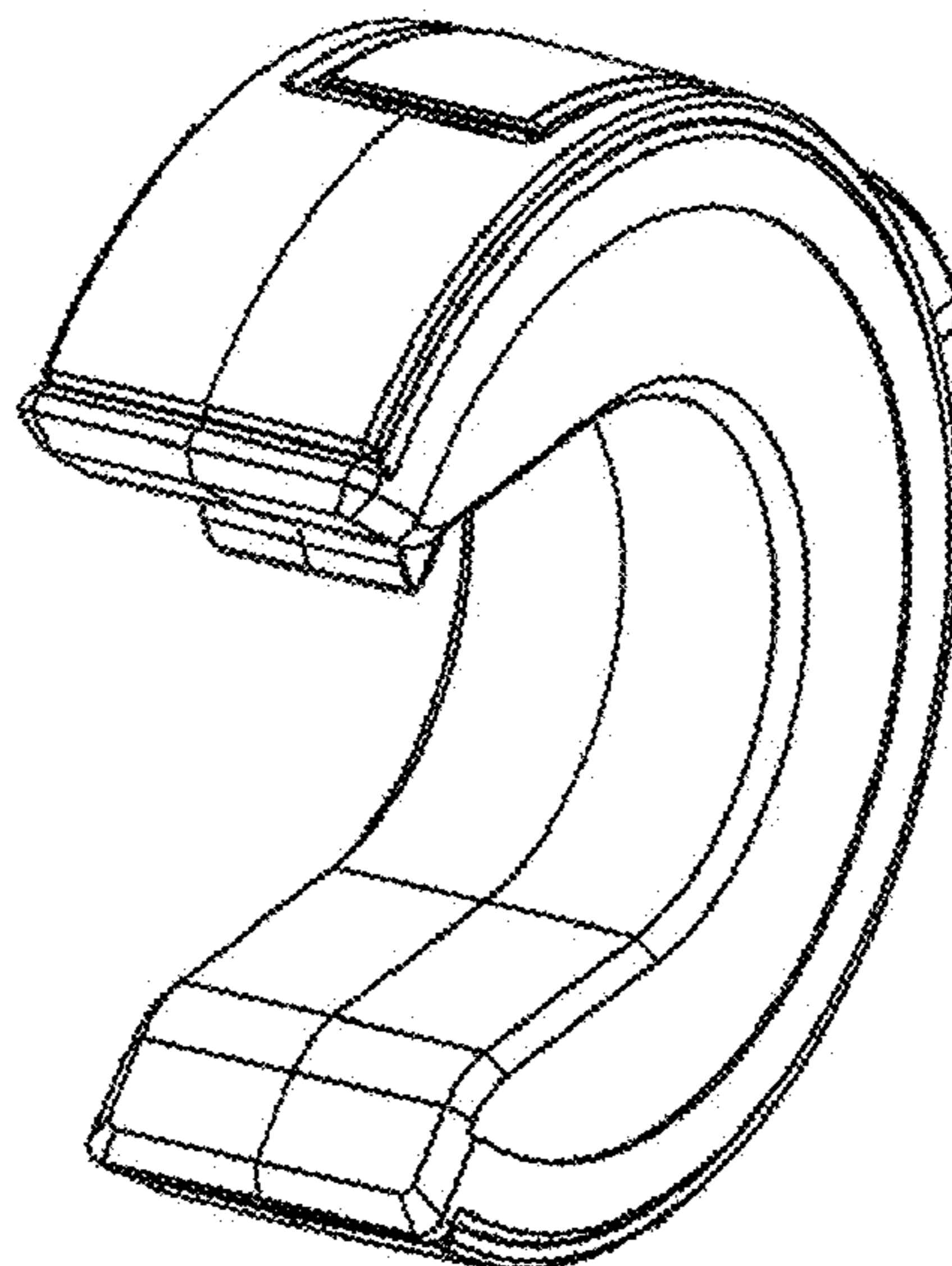
(57) **CLAIM**

The ornamental design for gymnastics apparatus and equipment, as shown and described.

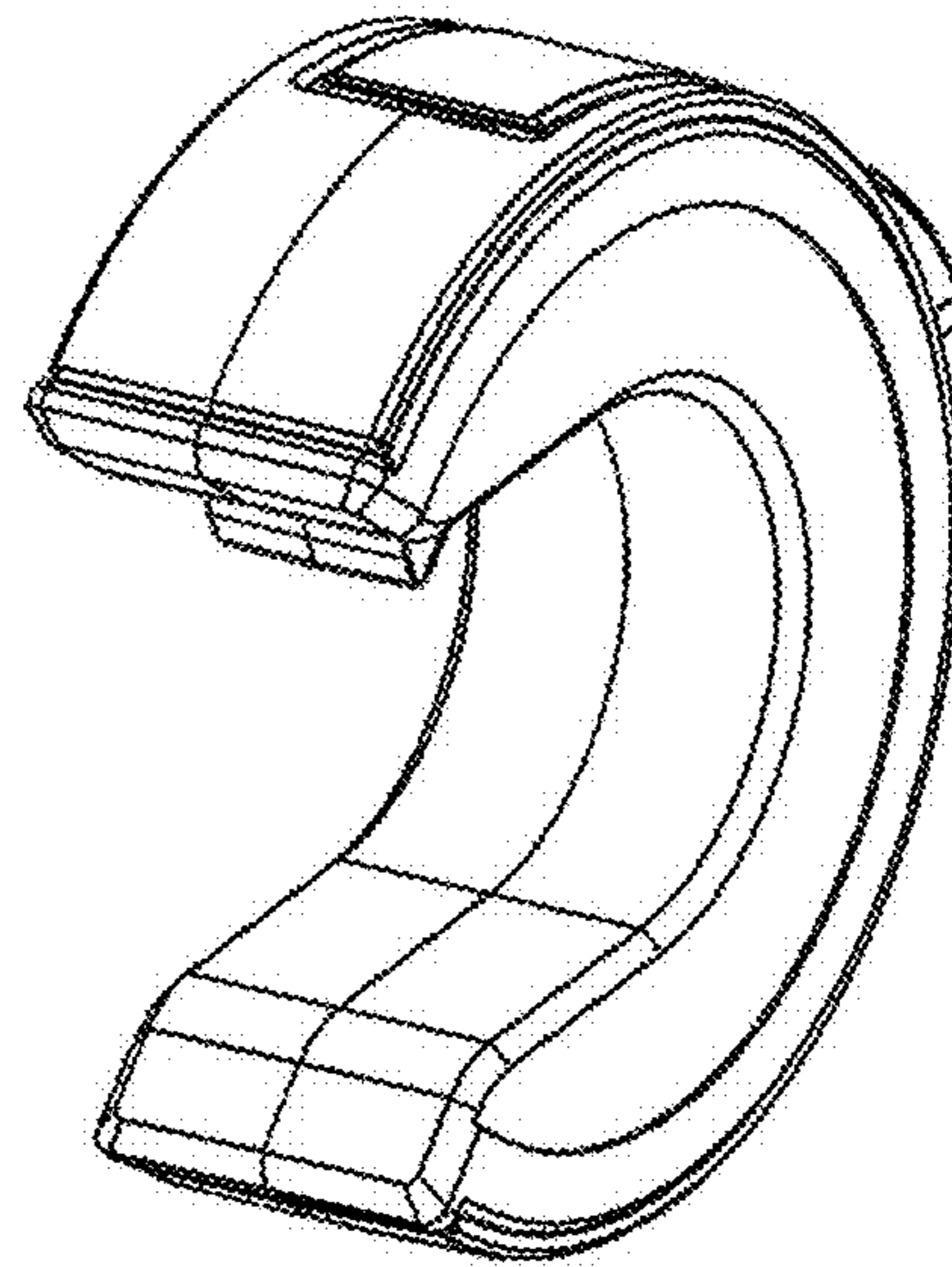
DESCRIPTION

1.1 is a right side, front, top perspective view of a gymnastics apparatus and equipment;
1.2 is a front view thereof;
1.3 is a rear view thereof;
1.4 is a left side view thereof;
1.5 is a right side view thereof;
1.6 is a top view thereof; and
1.7 is a bottom view thereof.

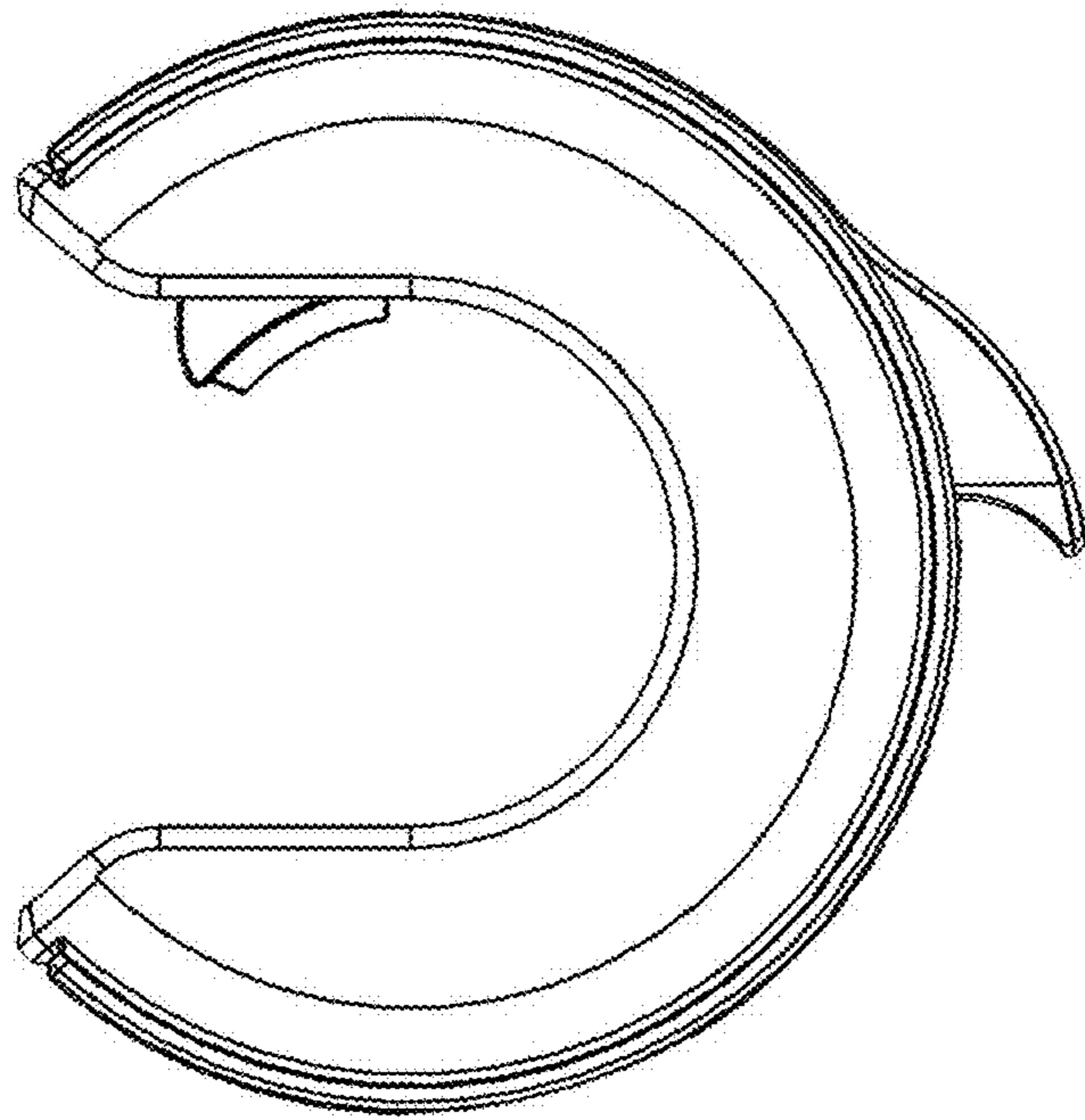
1 Claim, 7 Drawing Sheets



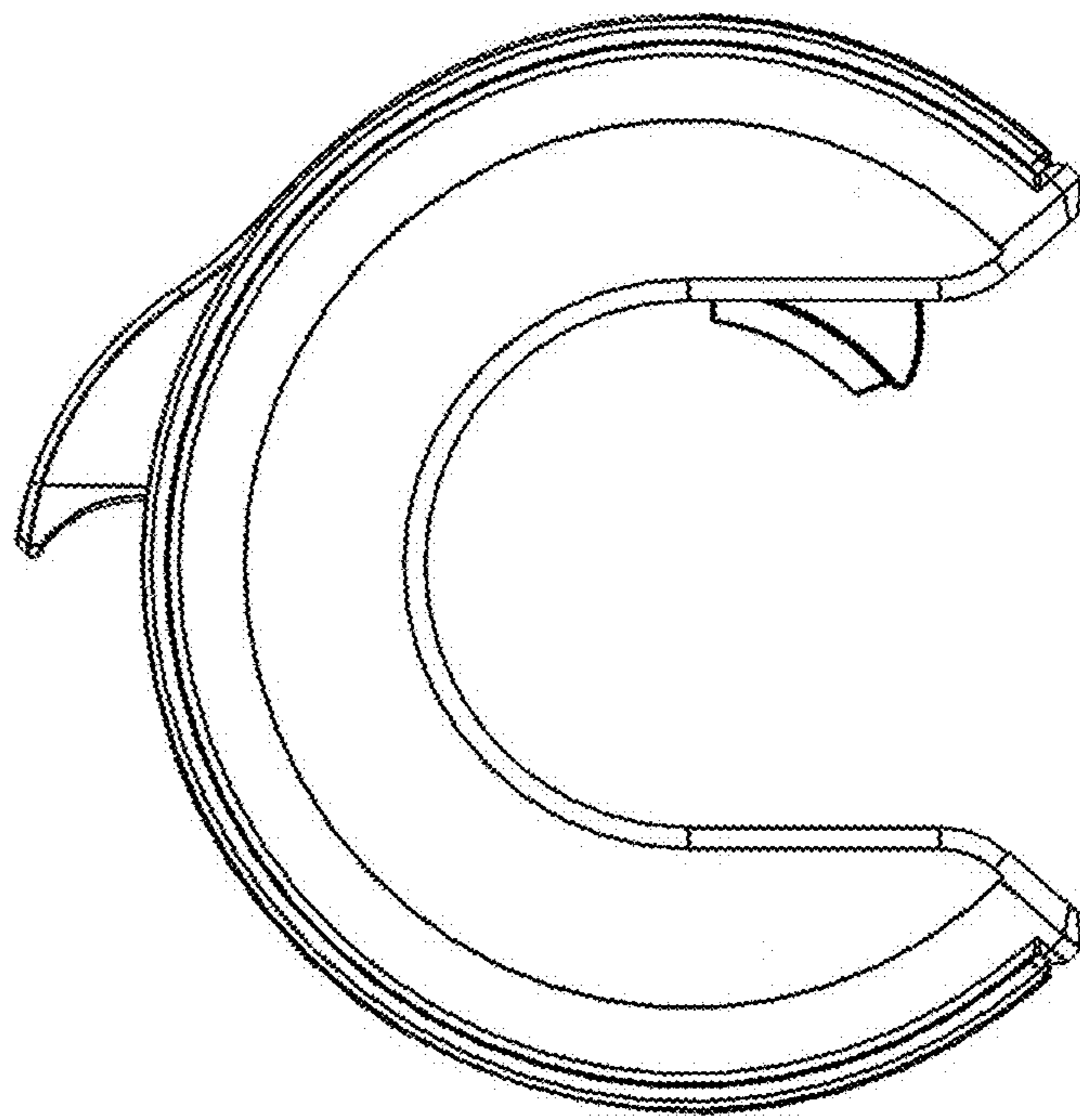
1.1



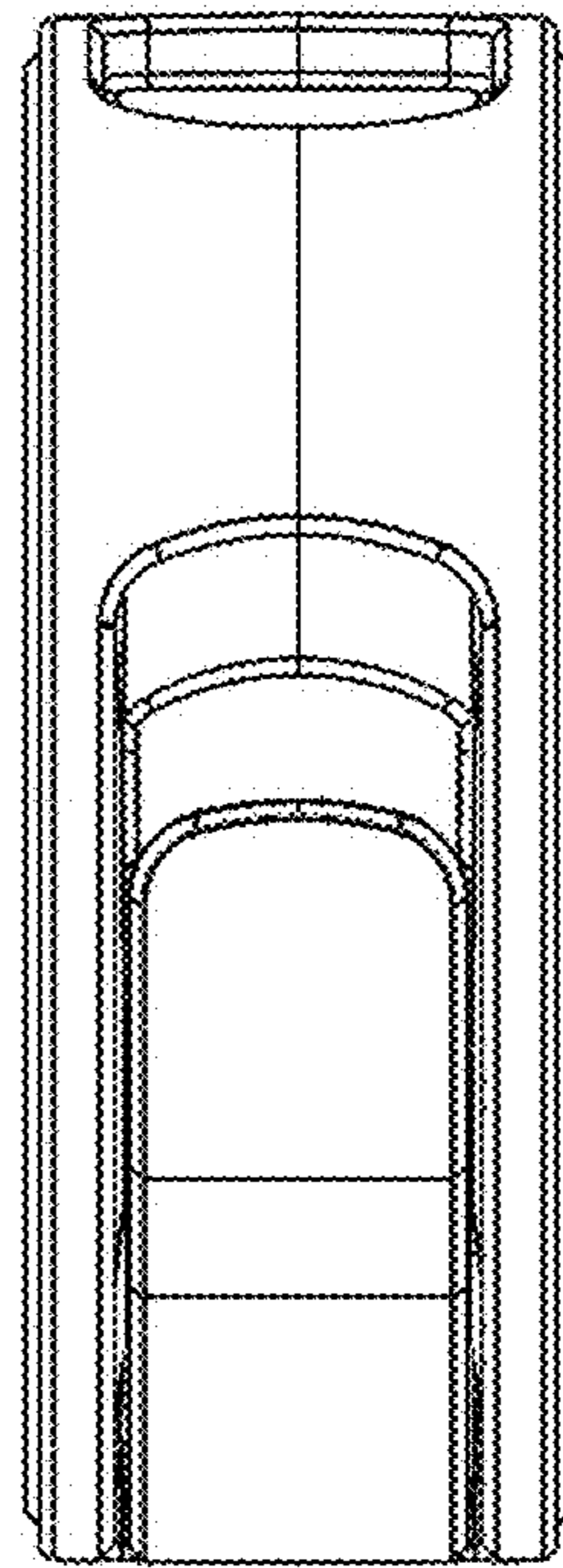
1.2



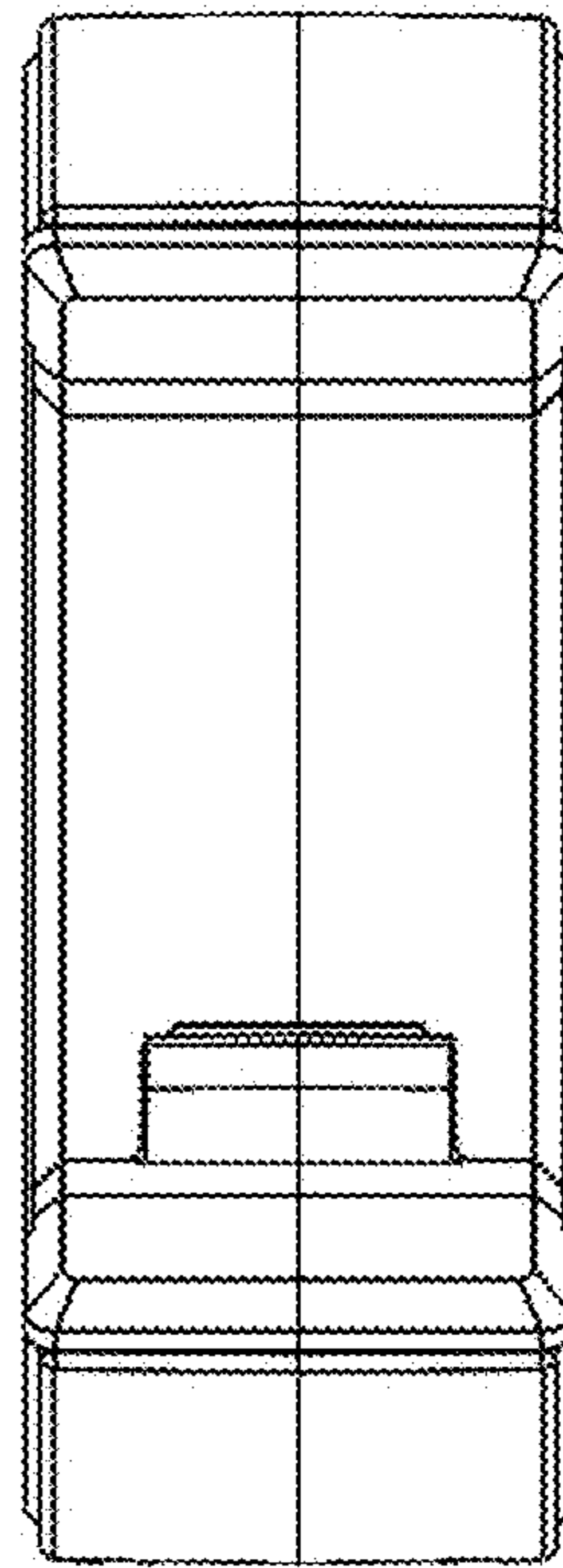
1.3



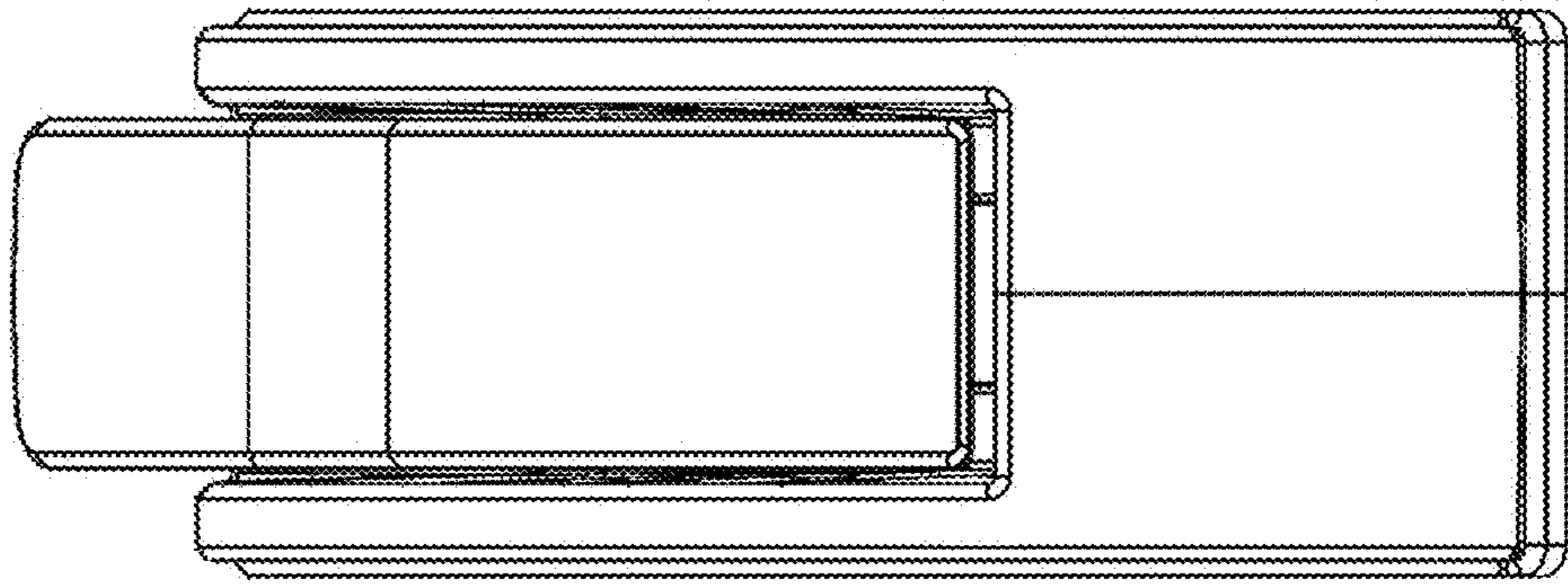
1.4



1.5



1.6



1.7

