



US00D943039S

(12) **United States Design Patent** (10) **Patent No.:** **US D943,039 S**  
**Lee** (45) **Date of Patent:** **\*\* Feb. 8, 2022**

(54) **EXERCISE APPARATUS**  
(71) Applicant: **Myung Soo Lee**, Seoul (KR)  
(72) Inventor: **Myung Soo Lee**, Seoul (KR)  
(\*\*) Term: **15 Years**  
(21) Appl. No.: **35/511,184**  
(22) Filed: **Jul. 16, 2020**  
(80) **Hague Agreement Data**  
Int. Filing Date: **Jul. 16, 2020**  
Int. Reg. No.: **DM/210213**  
Int. Reg. Date: **Jul. 16, 2020**  
Int. Reg. Pub. Date: **Jan. 22, 2021**

(30) **Foreign Application Priority Data**  
Feb. 12, 2020 (KR) ..... 30-2020-0006233  
(51) **LOC (13) Cl.** ..... **21-02**  
(52) **U.S. Cl.**  
USPC ..... **D21/691**  
(58) **Field of Classification Search**  
CPC .... A63B 4/00; A63B 26/003; A63B 2026/006  
See application file for complete search history.

(56) **References Cited**  
U.S. PATENT DOCUMENTS  
826,609 A \* 7/1906 Reach ..... A63B 5/12  
482/25  
2,817,347 A \* 12/1957 Hilt, Sr. .... A61H 3/00  
135/65  
D314,219 S \* 1/1991 Lo ..... D21/670  
D326,931 S \* 6/1992 Tomsick ..... D28/63  
D355,005 S \* 1/1995 Voohanel, Jr. .... D21/691

D369,391 S \* 4/1996 Jump, Jr. .... D21/685  
6,168,549 B1 \* 1/2001 Squibb ..... A63B 4/00  
482/34  
D536,753 S \* 2/2007 Rongo ..... D21/685  
D566,800 S \* 4/2008 St. Jules ..... D21/691  
D605,721 S \* 12/2009 Simpson ..... A63B 71/023  
D21/797  
D619,669 S \* 7/2010 Mesirov ..... A63B 4/00  
D21/797  
D666,684 S \* 9/2012 Meininger ..... A63B 4/00  
D21/662  
D741,962 S \* 10/2015 Terrian ..... D21/686  
D913,385 S \* 3/2021 Trenkle ..... D21/686  
D925,670 S \* 7/2021 Lee ..... D21/691  
2009/0093343 A1 \* 4/2009 Gallus ..... A63B 4/00  
482/34  
2020/0078627 A1 \* 3/2020 Landsman ..... A63B 71/023

\* cited by examiner

*Primary Examiner* — George D. Kirschbaum  
*Assistant Examiner* — Joseph J Kukella

(57) **CLAIM**

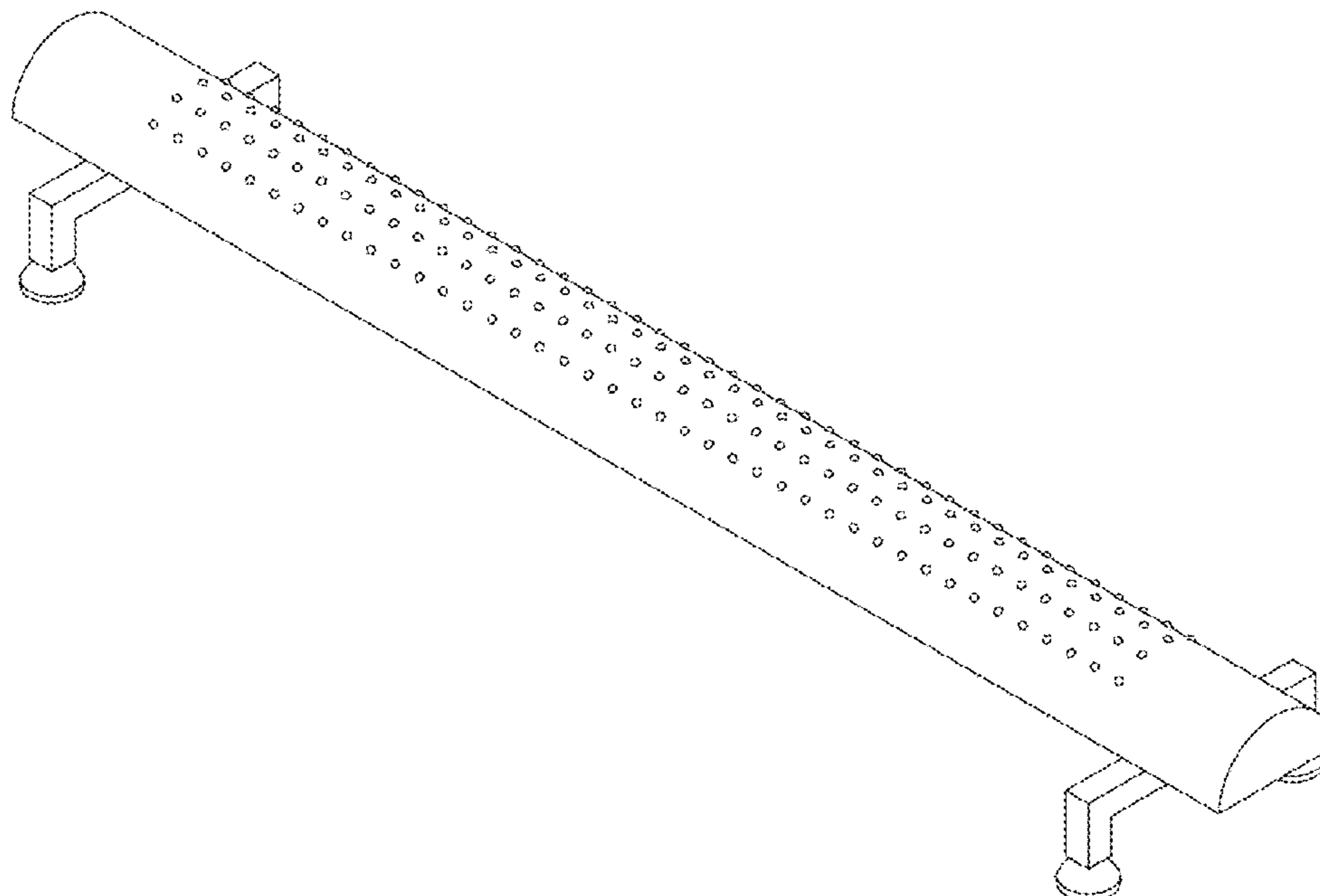
The ornamental design for an exercise apparatus, as shown and described.

**DESCRIPTION**

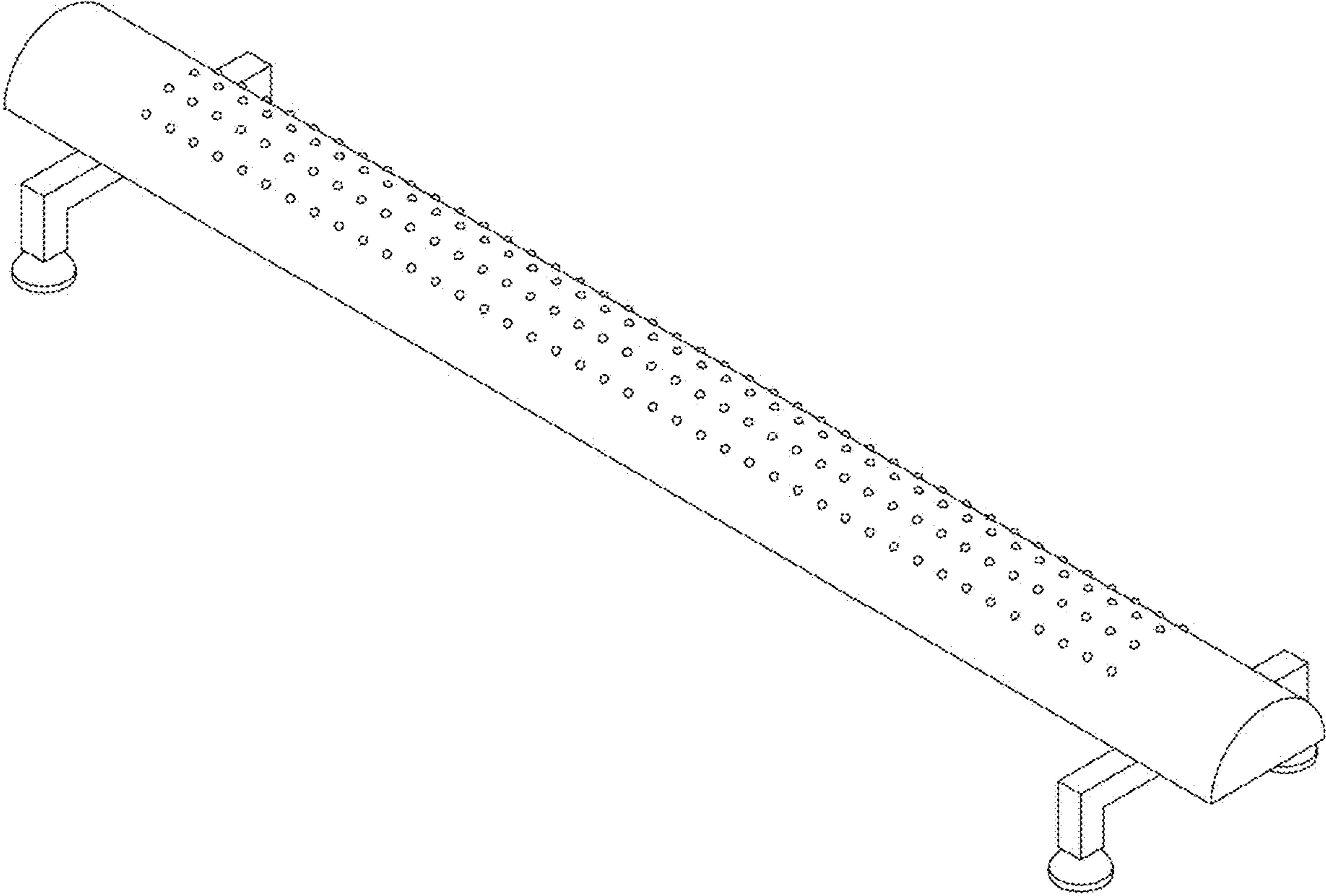
- 1. Exercise apparatus
- 1.1 : Perspective
- 1.2 : Front
- 1.3 : Back
- 1.4 : Left
- 1.5 : Right
- 1.6 : Top
- 1.7 : Bottom

The present design is an exercise apparatus to aid body balancing.

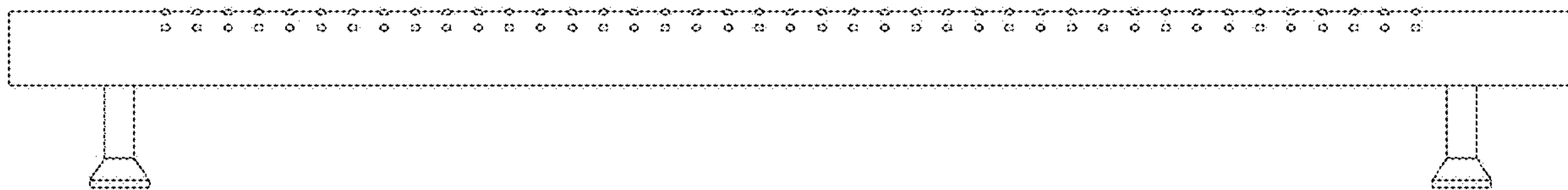
**1 Claim, 7 Drawing Sheets**

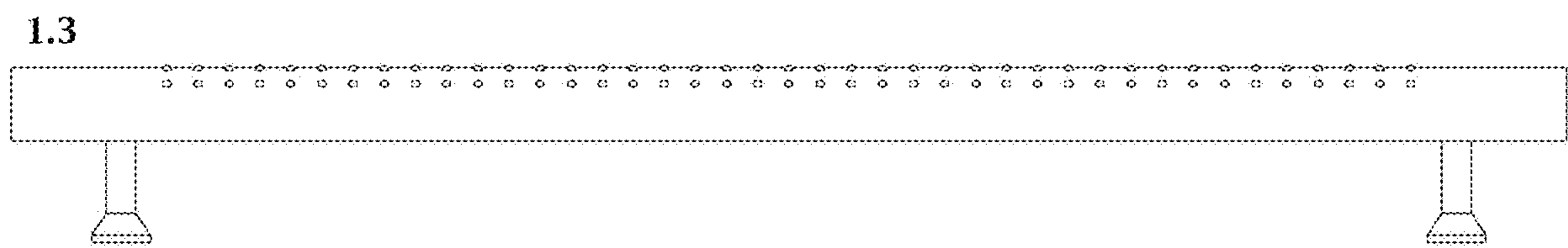


1.1

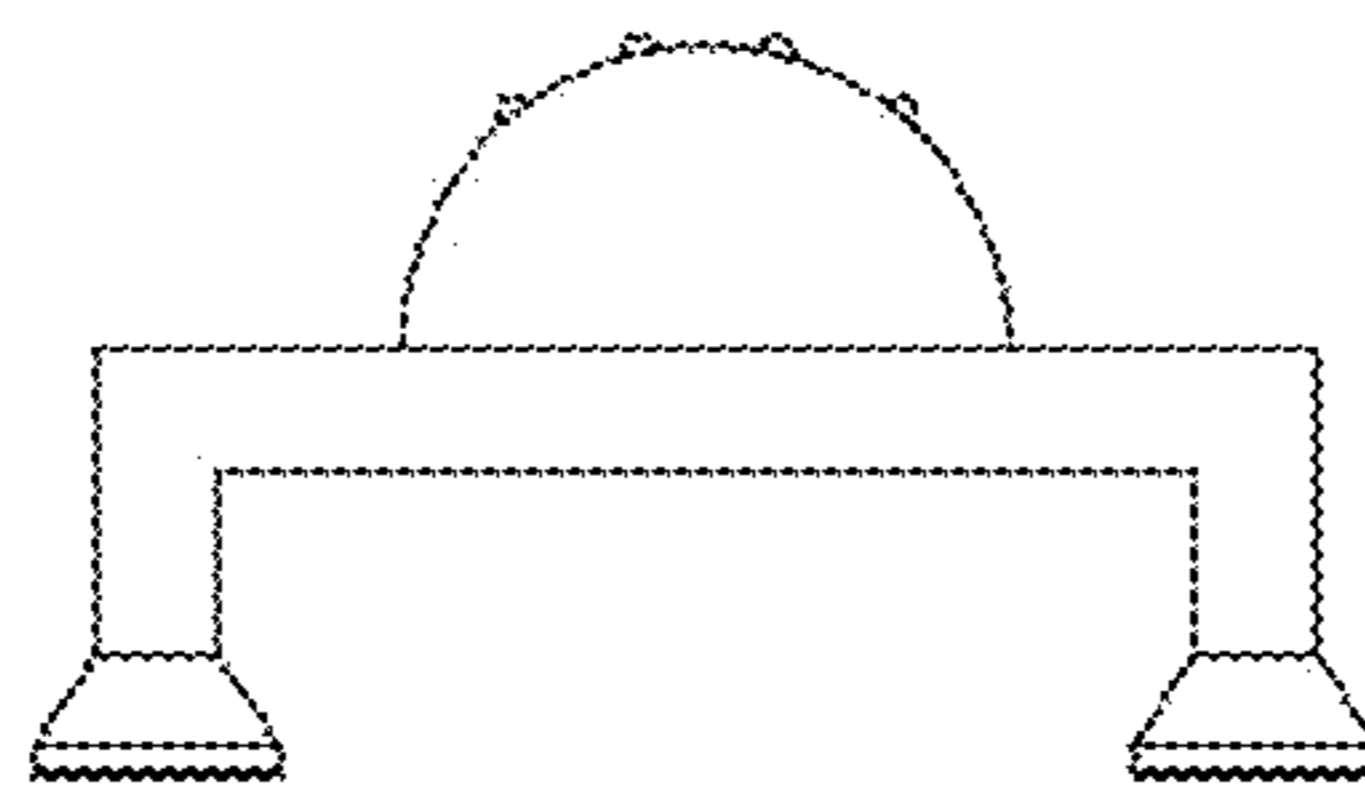


1.2





1.4



1.5

