



US00D943038S

(12) **United States Design Patent**
Colburn

(10) **Patent No.:** **US D943,038 S**

(45) **Date of Patent:** **** Feb. 8, 2022**

(54) **ELLIPTICAL CYCLE**

(71) Applicant: **17 Thrasio Seventeen, Inc.**, Medfield,
MA (US)

(72) Inventor: **Kevin Lawrence Colburn**, Windsor,
CO (US)

(73) Assignee: **17 Thrasio Seventeen, Inc.**, Walpole,
MA (US)

(**) Term: **15 Years**

(21) Appl. No.: **29/759,397**

(22) Filed: **Nov. 23, 2020**

Related U.S. Application Data

(63) Continuation of application No. 29/668,109, filed on
Oct. 26, 2018, now Pat. No. Des. 906,445.

(51) **LOC (13) Cl.** **21-02**

(52) **U.S. Cl.**
USPC **D21/663**

(58) **Field of Classification Search**
USPC D21/663, 667, 666, 697, 694, 665, 668,
D21/664, 690, 676, 670; 482/57, 62,
482/111, 139, 145, 60, 51, 123, 72, 61,
482/58, 9, 59, 80; 74/502.4, 502.6,
74/594.2, 594.1, 48; D12/178, 411, 345,
D12/211, 209, 205; D23/382, 381, 378,
D23/412, 411, 413, 377; D13/115;
D15/7, 138, 5
CPC ... A63B 22/0605; A63B 21/225; A63B 69/16;
A63B 21/015; A63B 2225/09; A63B
2022/0652

See application file for complete search history.

(56) **References Cited**

U.S. PATENT DOCUMENTS

D372,283 S * 7/1996 Chen D21/663
D446,266 S * 8/2001 Lin D21/663

D452,285 S * 12/2001 Easley D21/694
D461,211 S * 8/2002 Kuo D21/668
D462,099 S * 8/2002 Chen D21/663
D480,119 S * 9/2003 Chen D21/663
D482,084 S * 11/2003 Yang D21/663
D482,416 S * 11/2003 Yang D21/663
D514,635 S * 2/2006 Hsiao D21/670
D519,583 S * 4/2006 Chen D21/668
D561,849 S * 2/2008 Piaget D21/670
D575,836 S * 8/2008 Hsiao D21/668
D728,707 S * 5/2015 Colburn D21/663
D744,050 S * 11/2015 Colburn D21/663
D771,204 S * 11/2016 Ho D21/668
D773,567 S * 12/2016 Chuang D21/668
D781,384 S * 3/2017 Ho D21/670
D793,494 S * 8/2017 Mansfield D21/668
D794,142 S * 8/2017 Zhou D21/663
D796,591 S * 9/2017 Ho D21/668

(Continued)

Primary Examiner — Ryan Harvey

(74) *Attorney, Agent, or Firm* — Brooks Kushman P.C.

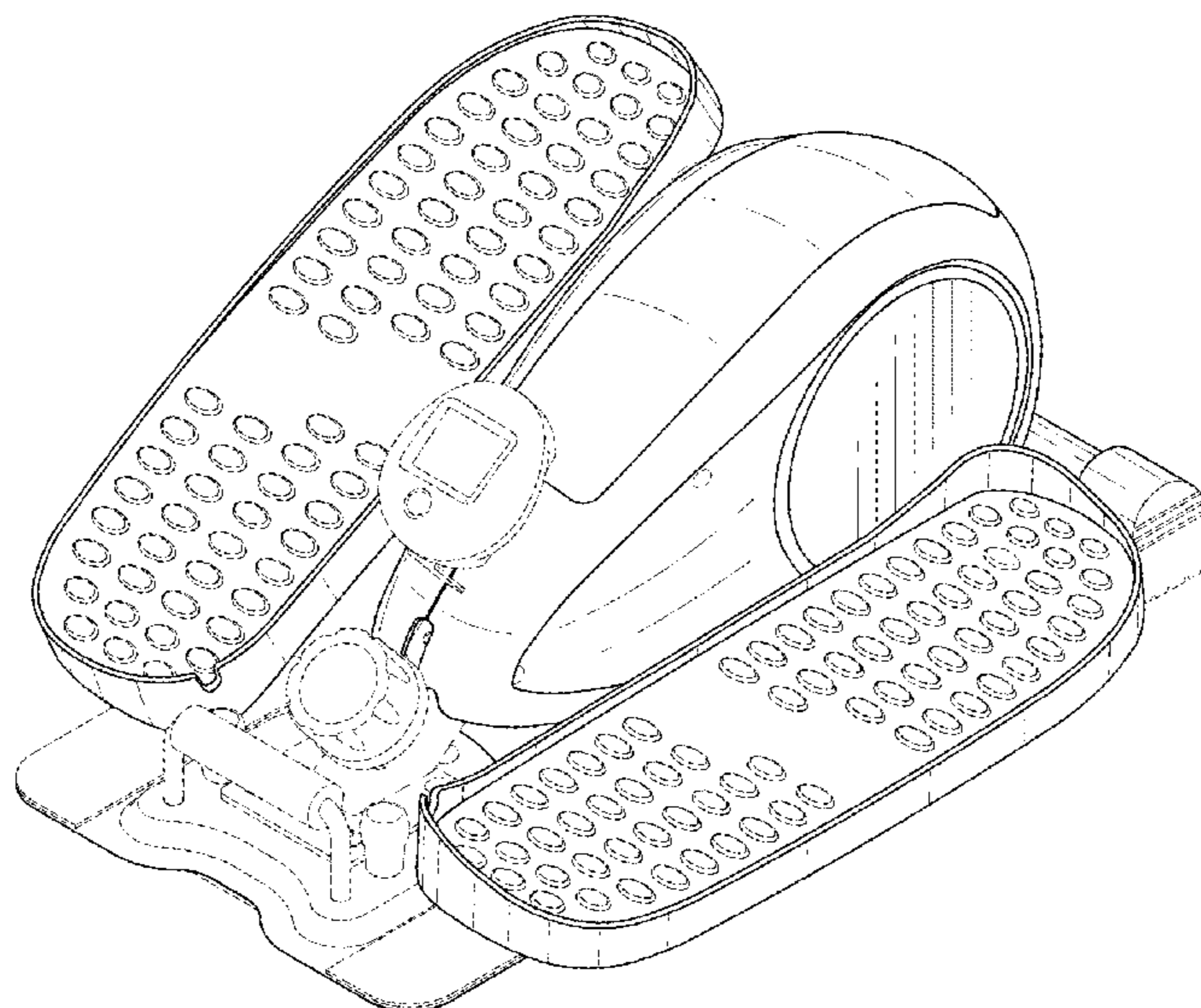
(57) **CLAIM**

The ornamental design for an elliptical cycle, as shown and described.

DESCRIPTION

FIG. 1 is a top perspective view of an elliptical cycle, embodying the new design;
FIG. 2 is a bottom perspective view thereof;
FIG. 3 is a rear elevation view thereof;
FIG. 4 is a front elevation view thereof;
FIG. 5 is a first side elevation view thereof;
FIG. 6 is a second side elevation view thereof;
FIG. 7 is a top plan view thereof; and,
FIG. 8 is bottom plan view thereof.
The broken lines shown are included for the purpose of illustrating the unclaimed portions of the article and form no part of the claim.

1 Claim, 8 Drawing Sheets



(56)

References Cited

U.S. PATENT DOCUMENTS

9,757,611	B1 *	9/2017	Colburn	A63B 22/0694
D822,773	S *	7/2018	Khubani	D21/668
10,052,516	B1 *	8/2018	Lin	A63B 23/1209
D827,732	S *	9/2018	Ho	D21/667
D906,445	S *	12/2020	Colburn	D21/663
2003/0036462	A1 *	2/2003	Ravikumar	A61H 1/0266 482/51
2007/0254782	A1 *	11/2007	Chen	A63B 22/0056 482/53
2010/0144495	A1 *	6/2010	Chen	A63B 22/0069 482/52
2016/0107026	A1 *	4/2016	Hsu	A63B 22/0058 482/80
2017/0216660	A1 *	8/2017	Lernihan	A63B 22/0664
2017/0252603	A1 *	9/2017	Wu	A63B 21/159
2017/0319899	A1 *	11/2017	Jhang	A63B 22/0664
2018/0015321	A1 *	1/2018	Ho	A63B 21/00069
2018/0126220	A1 *	5/2018	Palmer	A63B 21/4049
2018/0207474	A1 *	7/2018	Chen	A63B 21/4034
2019/0022456	A1 *	1/2019	Dalmia	A63B 21/1609
2019/0299053	A1 *	10/2019	Friedman	A63B 22/0694
2020/0129804	A1 *	4/2020	Colburn	A63B 22/0664

* cited by examiner

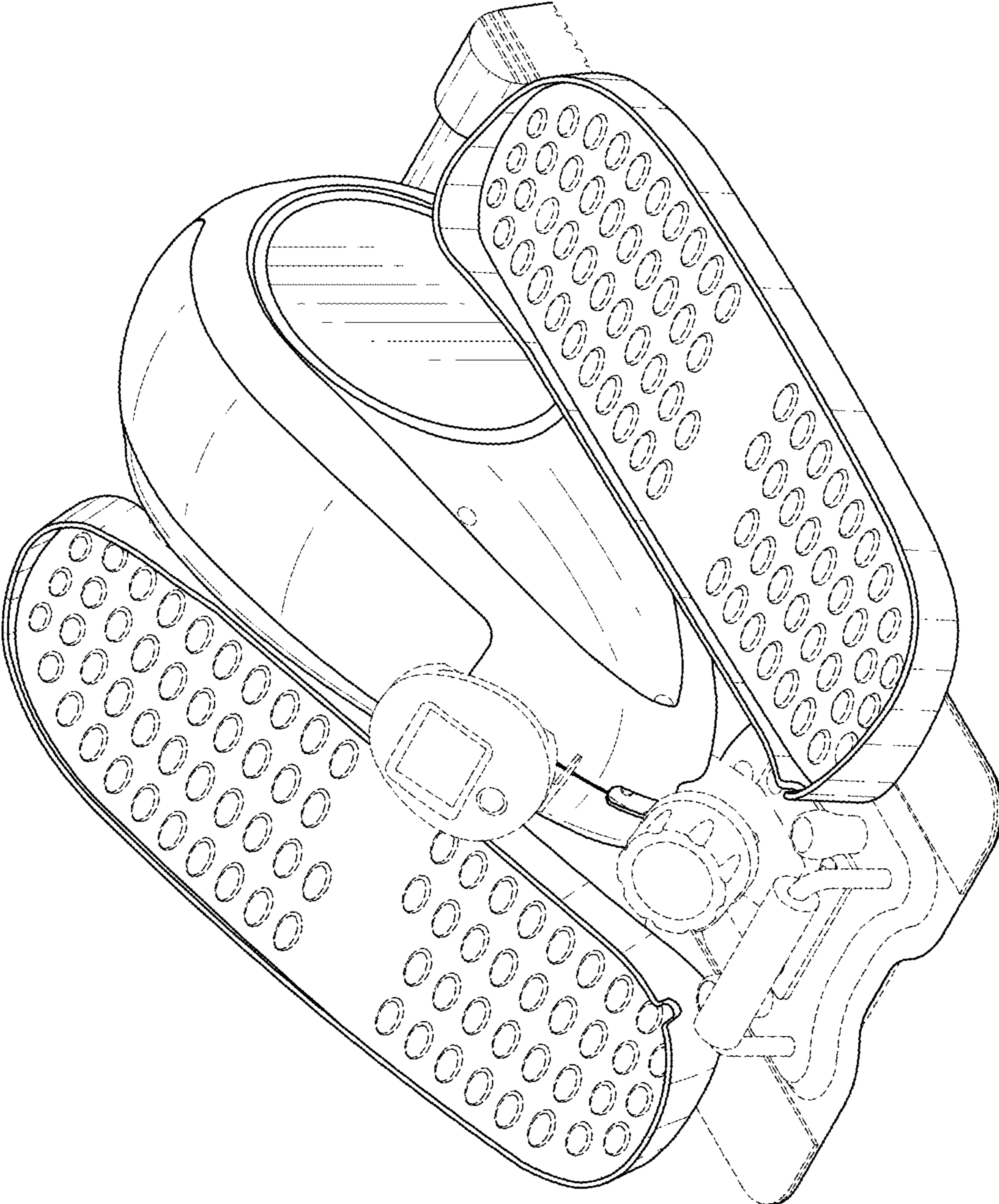


FIG. 1

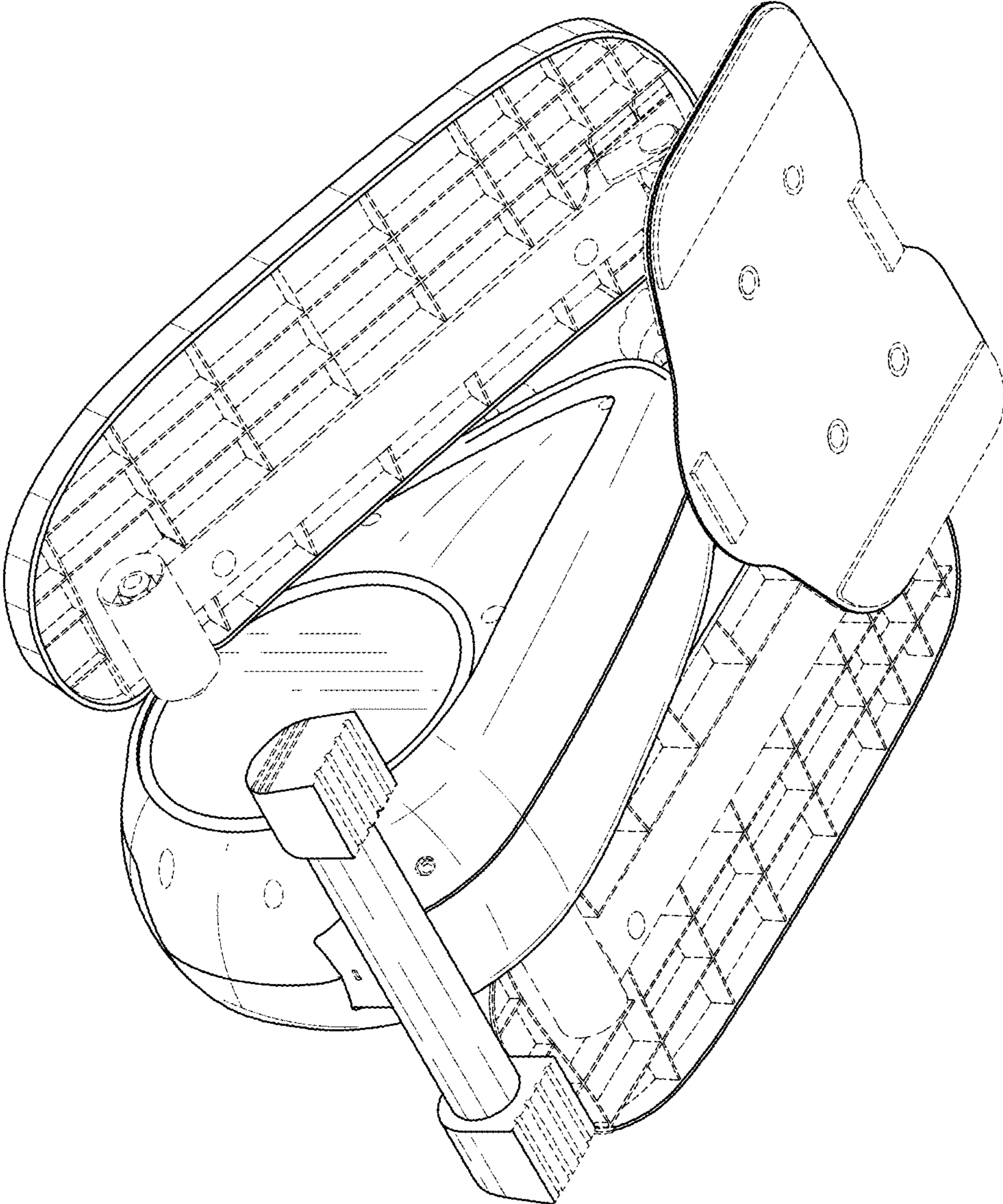


FIG. 2

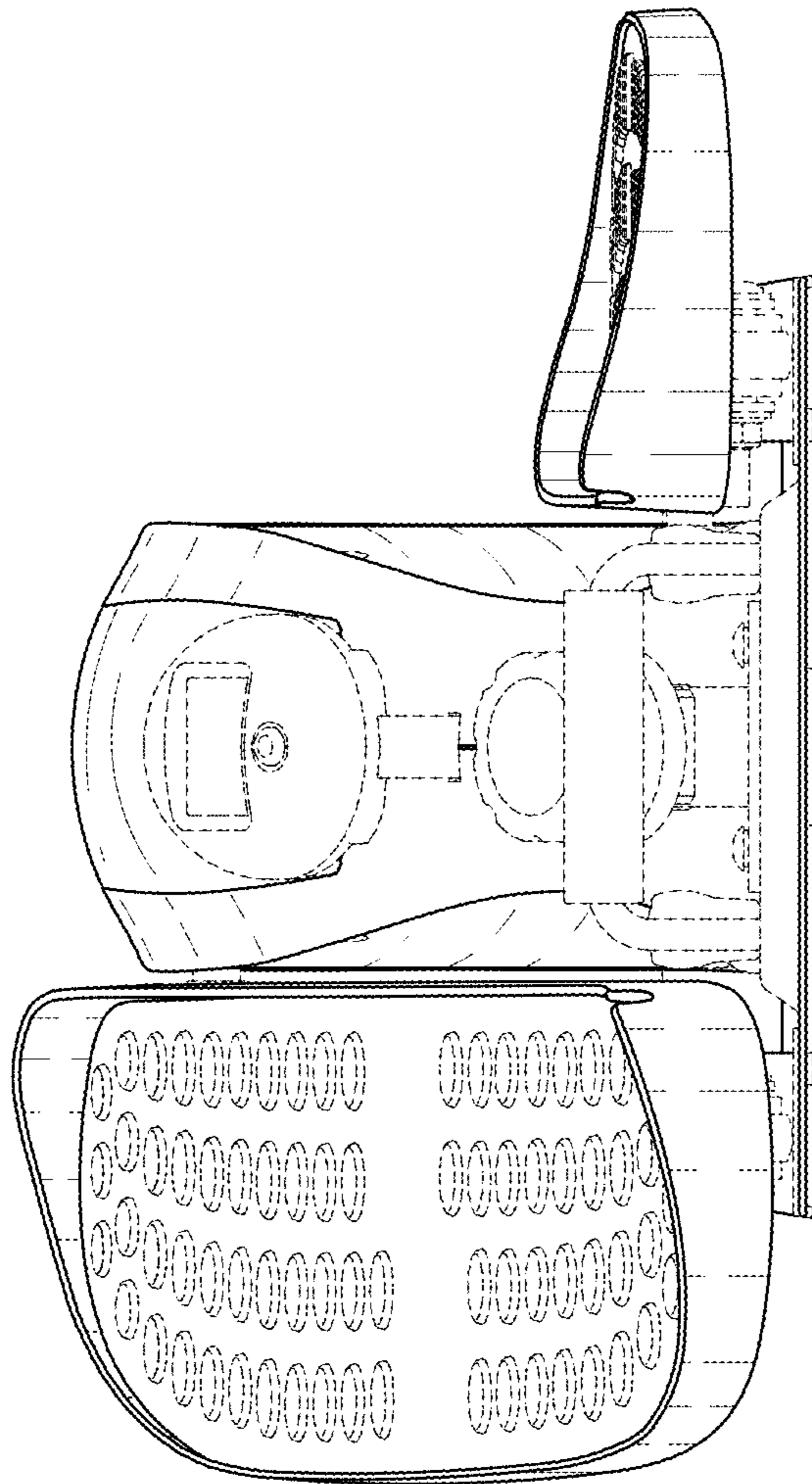


FIG. 3

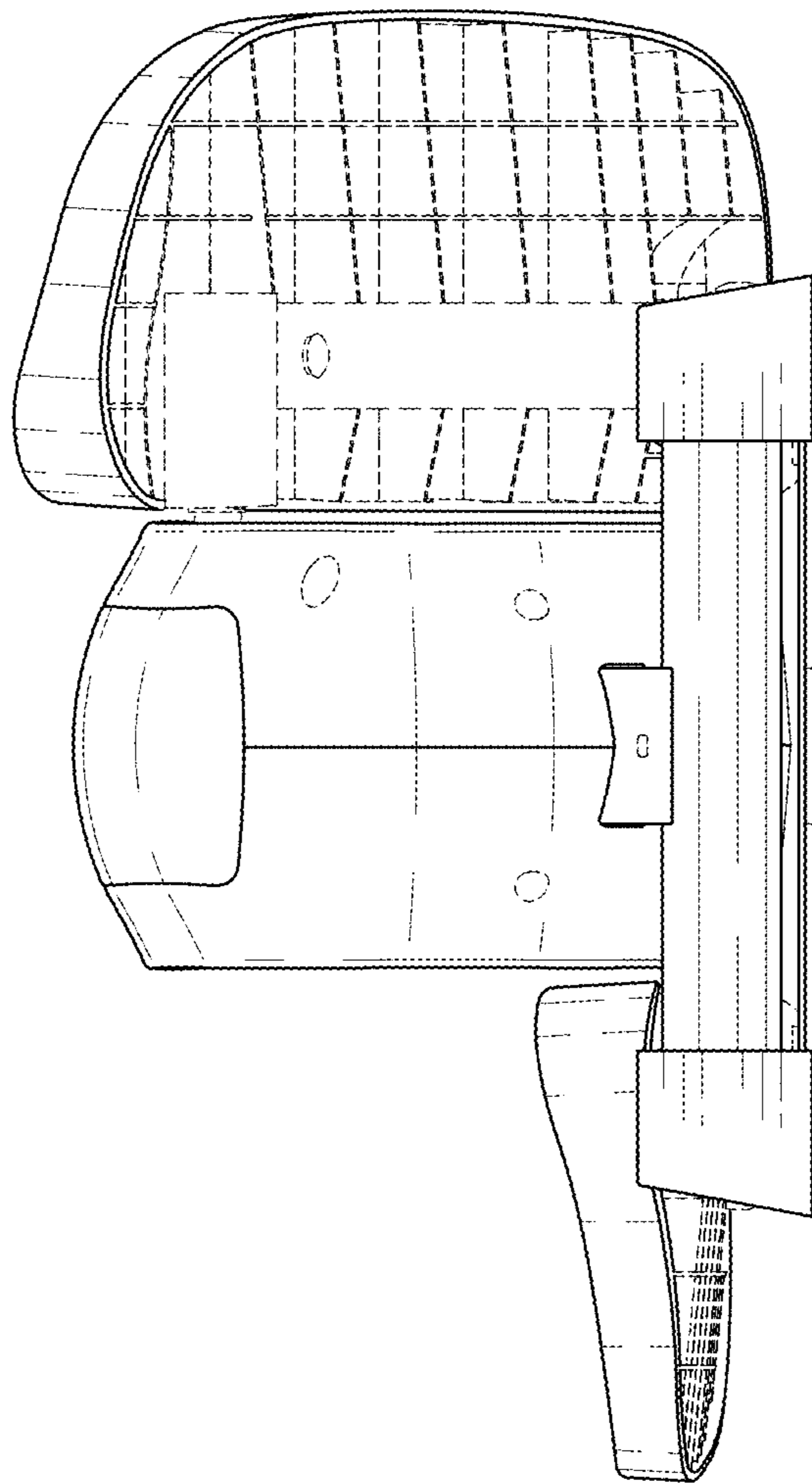


FIG. 4

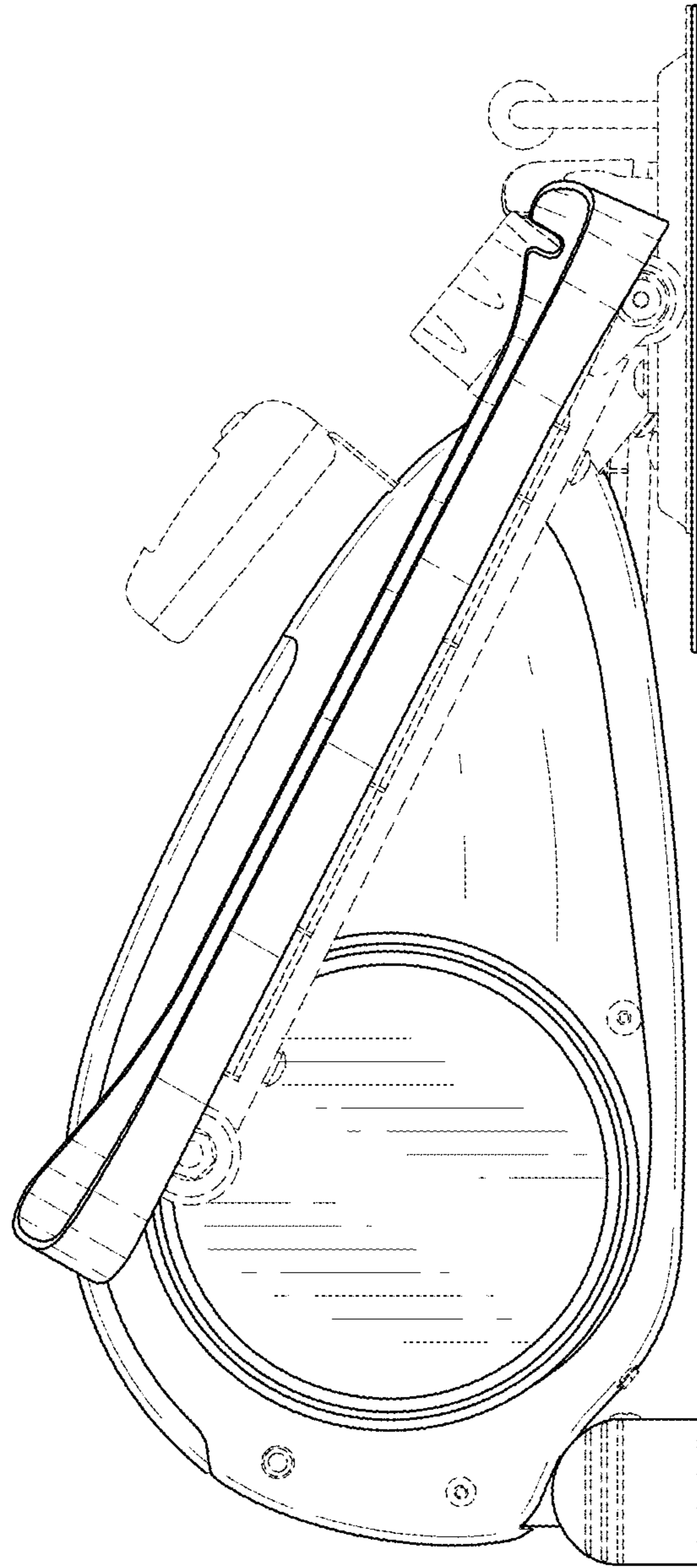


FIG. 5

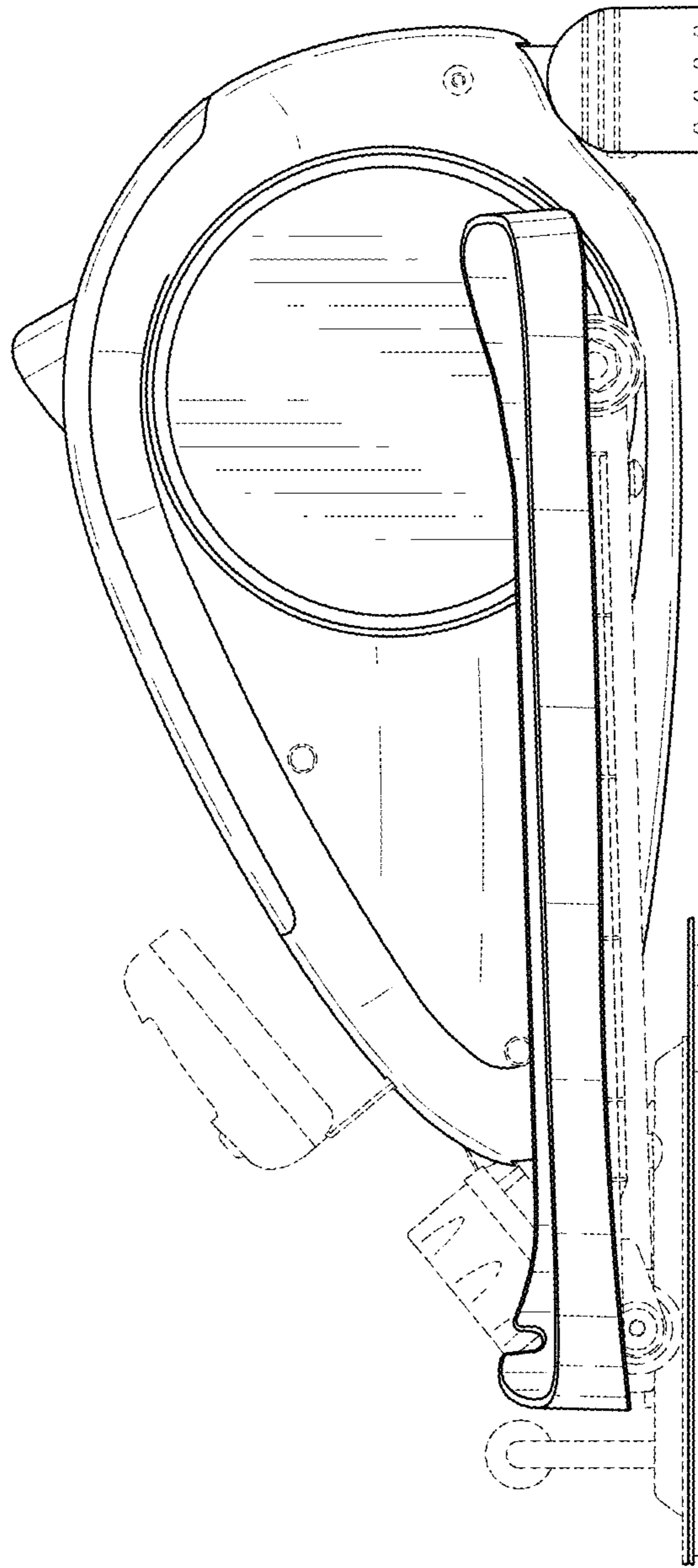


FIG. 6

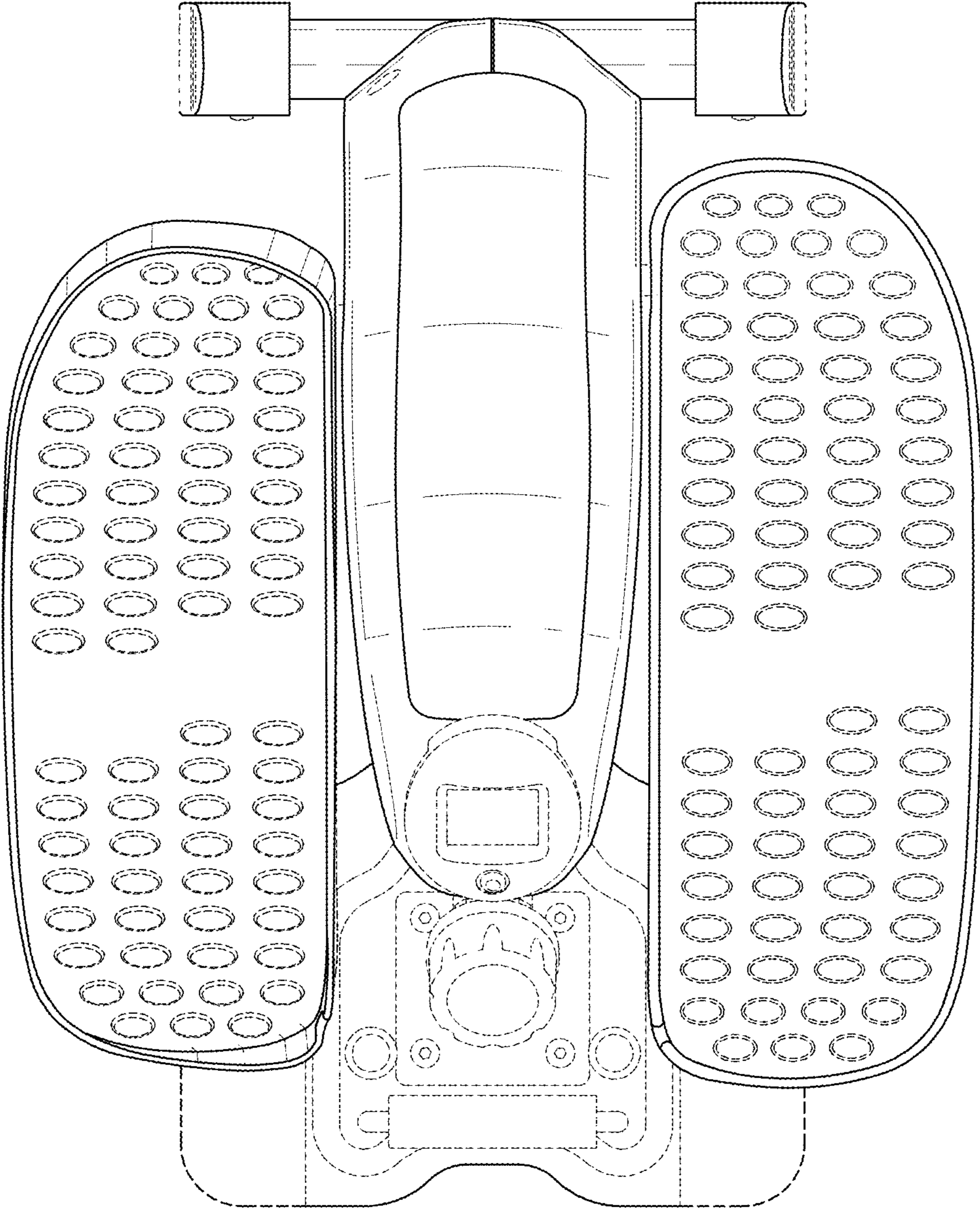


FIG. 7

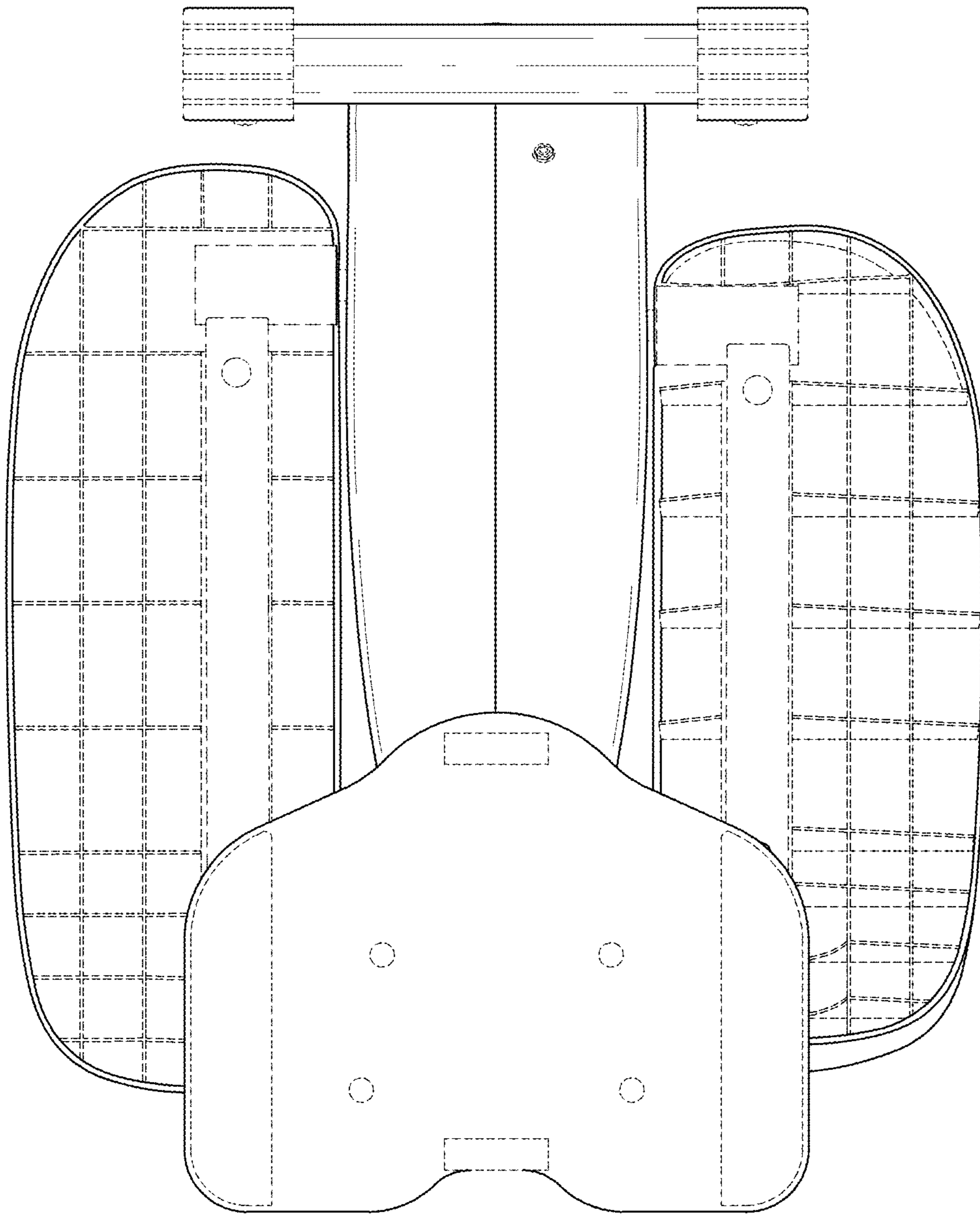


FIG. 8