



US00D943036S

(12) **United States Design Patent** (10) **Patent No.:** **US D943,036 S**
Wellejus et al. (45) **Date of Patent:** **** Feb. 8, 2022**

(54) **TOY FIGURINE**

(71) Applicant: **LEGO A/S**, Billund (DK)

(72) Inventors: **Rene Christensen Wellejus**, Billund (DK); **Christoffer Raundahl**, Vejle (DK)

(**) Term: **15 Years**

(21) Appl. No.: **35/510,319**

(22) Filed: **Jul. 28, 2020**

(80) **Hague Agreement Data**

Int. Filing Date: **Jul. 28, 2020**

Int. Reg. No.: **DM/210140**

Int. Reg. Date: **Jul. 28, 2020**

Int. Reg. Pub. Date: **Sep. 18, 2020**

(51) **LOC (13) Cl.** **21-01**

(52) **U.S. Cl.**
USPC **D21/631**

(58) **Field of Classification Search**
USPC D21/621, 631, 632, 633, 634
CPC A63H 3/16; A63H 3/36
See application file for complete search history.

(56) **References Cited**

U.S. PATENT DOCUMENTS

- D248,881 S * 8/1978 Goldfarb D21/621
- D253,711 S * 12/1979 Christiansen A63H 3/48
- D262,226 S * 12/1981 Takahashi D21/621
- D268,507 S * 4/1983 Alwell D21/634
- D317,796 S * 6/1991 Laursen D21/385
- D680,598 S * 4/2013 Geller D21/621
- D739,480 S * 9/2015 Hernandez Ortega D21/621

- D784,850 S * 4/2017 Kawase D11/160
- D865,075 S * 10/2019 Mangnall-Schwarz D21/493
- D887,501 S * 6/2020 Zhan D21/621
- D917,635 S * 4/2021 Li D21/621
- D927,607 S * 8/2021 Skripps A63H 3/48
- D21/621

OTHER PUBLICATIONS

@LEGO_Group, "It's-a me, LEGO Mario!", published Mar. 10, 2020 via Twitter.com. Retrieved from the internet on Sep. 11, 2021 <URL: https://twitter.com/LEGO_Group/status/1237362614193270784> (Year: 2020).*

"The Nikkei: Miyamoto is trying to be less rigid with the Mario franchise", My Nintendo News, Aug. 12, 2020. URL: <<<https://mynintendonews.com/2019/11/23/the-nikkei-miyamoto-is-trying-to-be-less-rigid-with-the-mario-franchise/>>>.

Notification of Refusal issued in present International application No. DM/210140, dated Dec. 29, 2020, 10 pages.

Office Action issued in corresponding Russian application No. 2050341/77, dated Jan. 20, 2021, 5 pages.

* cited by examiner

Primary Examiner — Joseph Kukella

(57) **CLAIM**

The ornamental design for a toy figurine, as shown.

DESCRIPTION

- 1. Figurine
- 1.1 : Perspective
- 1.2 : Front
- 1.3 : Back
- 1.4 : Right
- 1.5 : Left
- 1.6 : Top
- 1.7 : Bottom

The design illustrates a toy figurine.

1 Claim, 7 Drawing Sheets

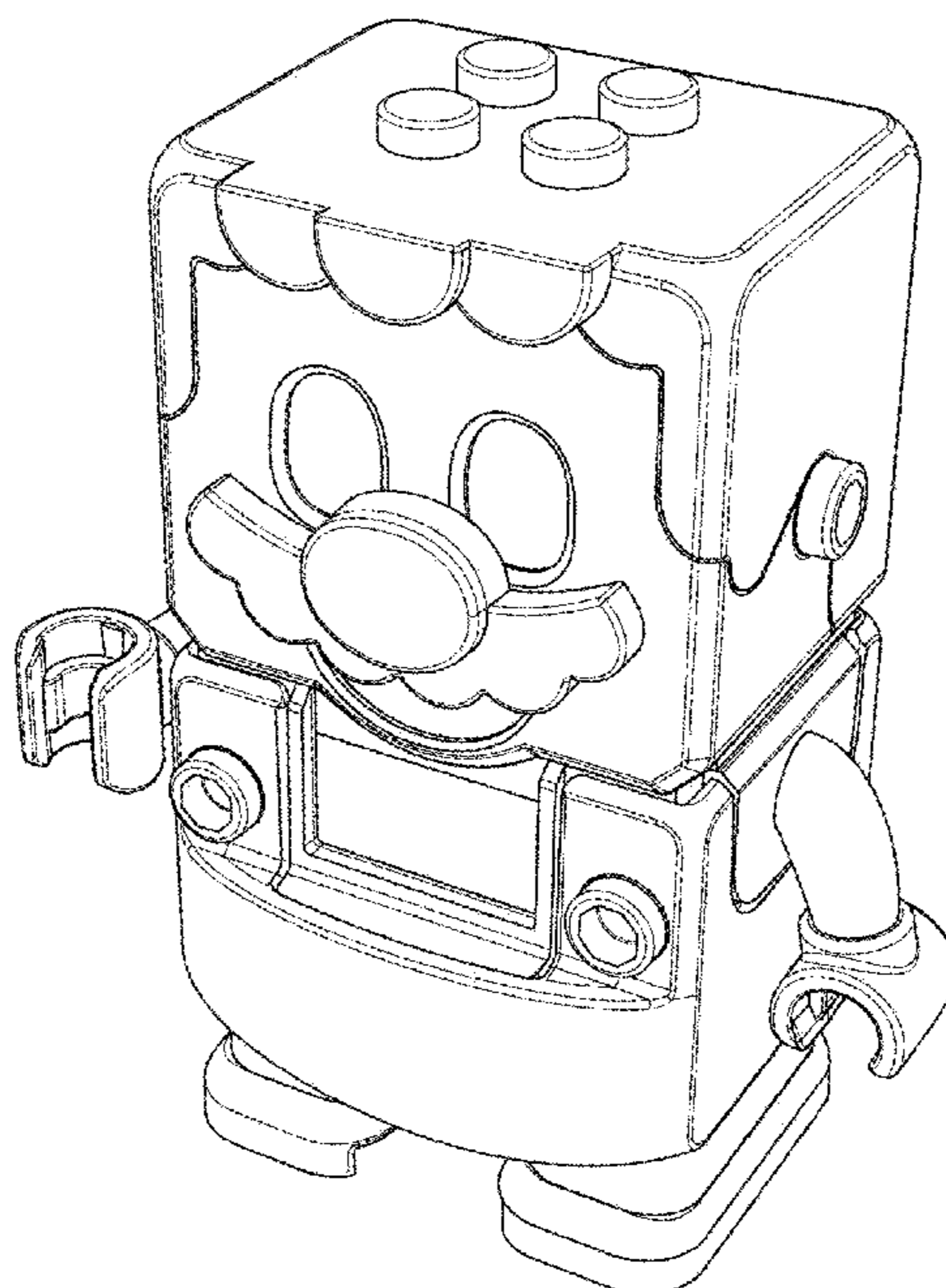


FIG. 1.1

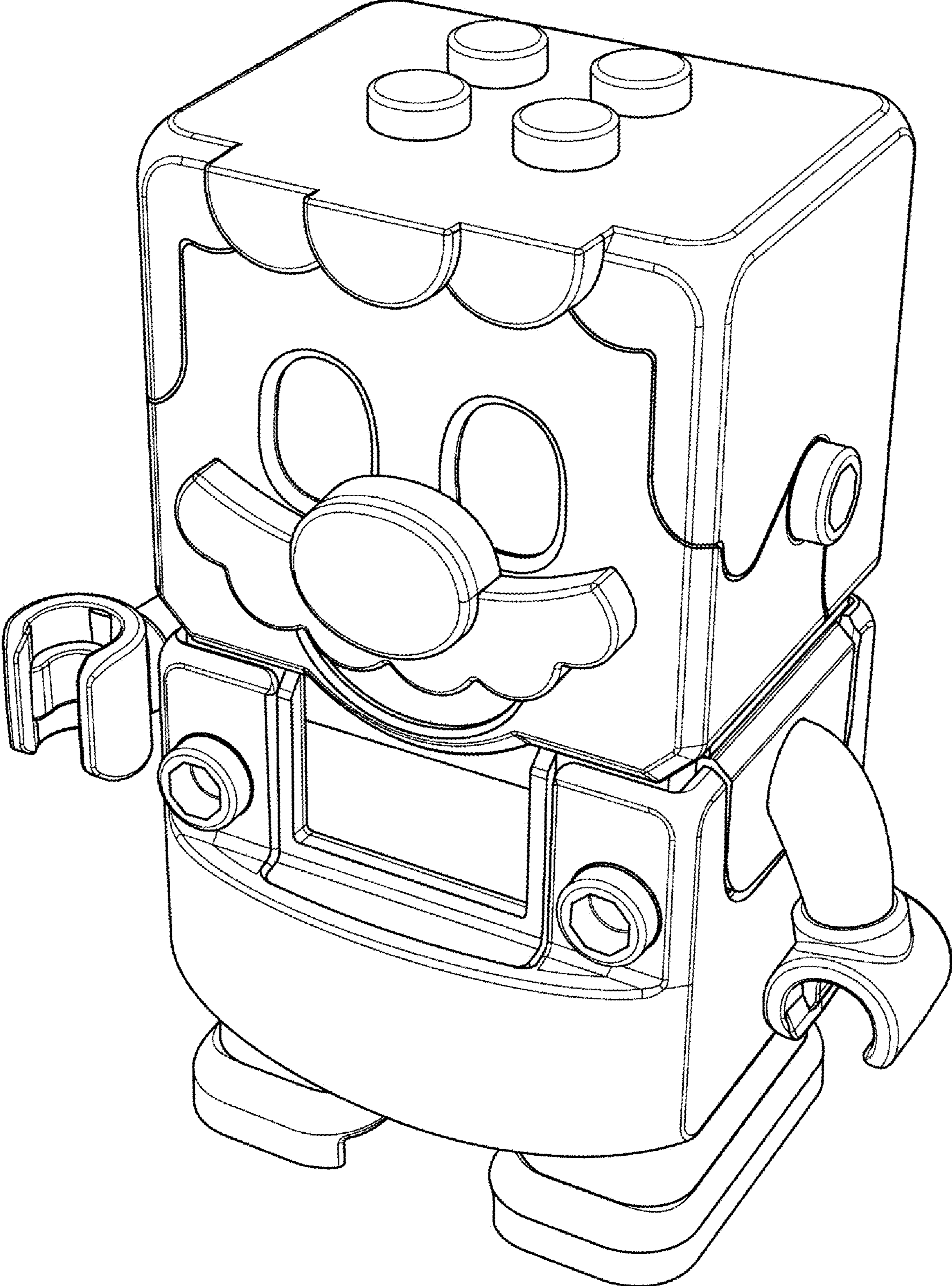


FIG. 1.2

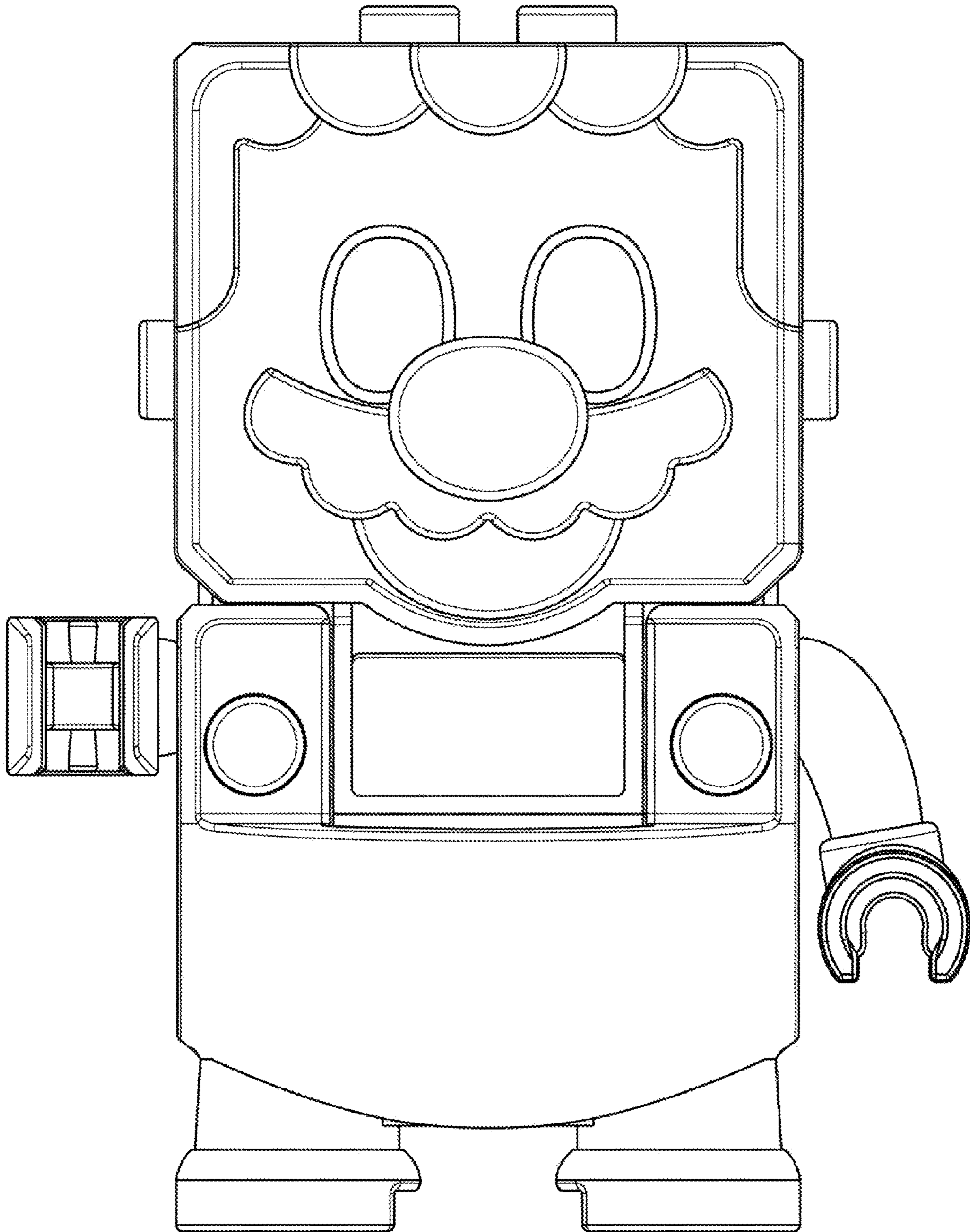


FIG. 1.3

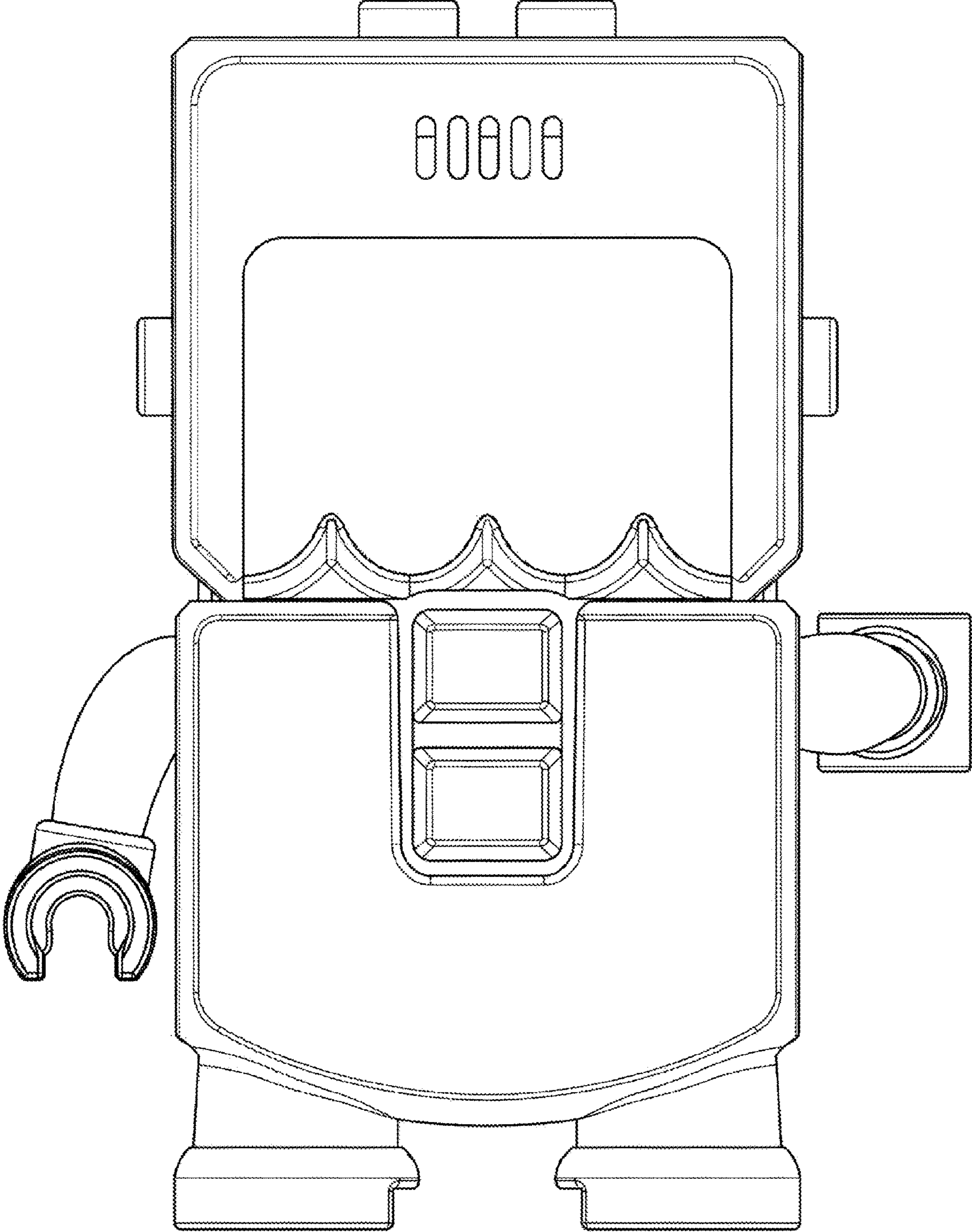


FIG. 1.4

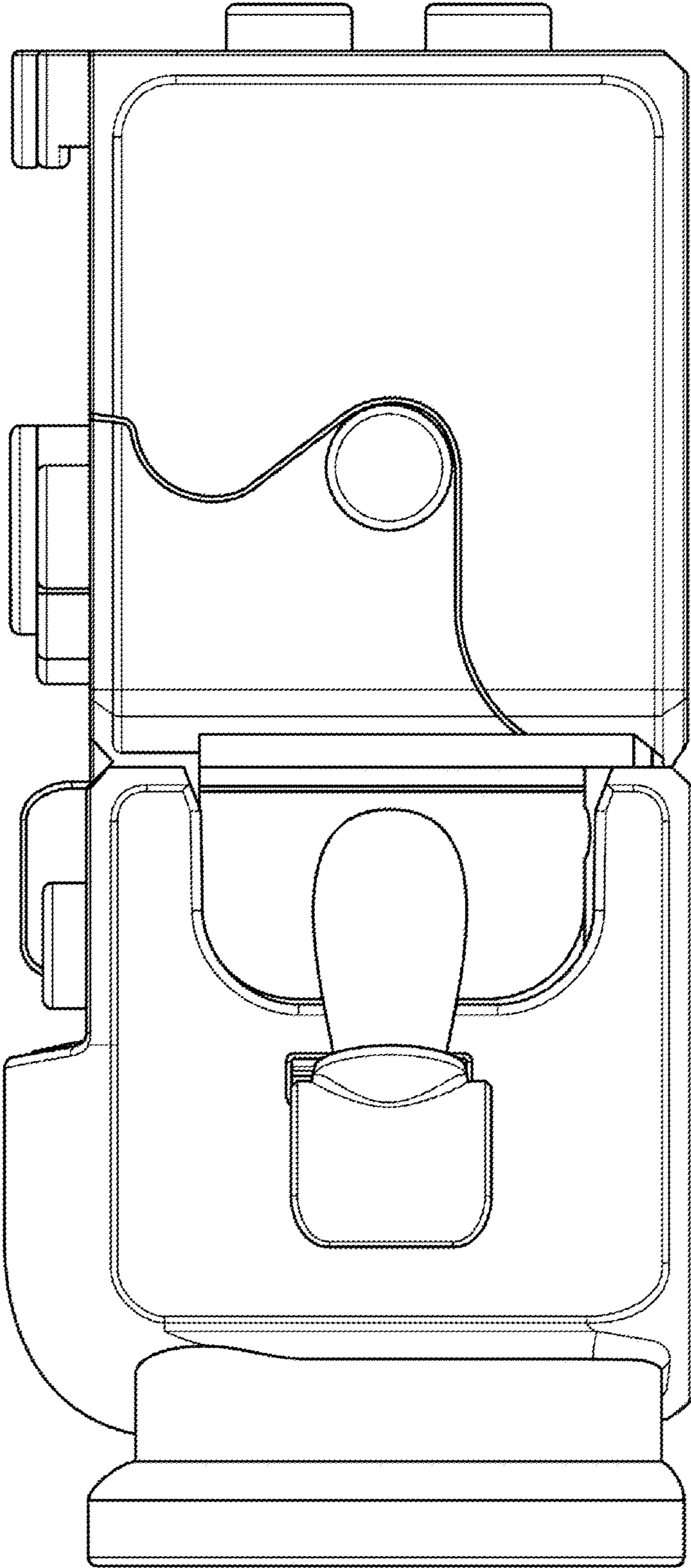


FIG. 1.5

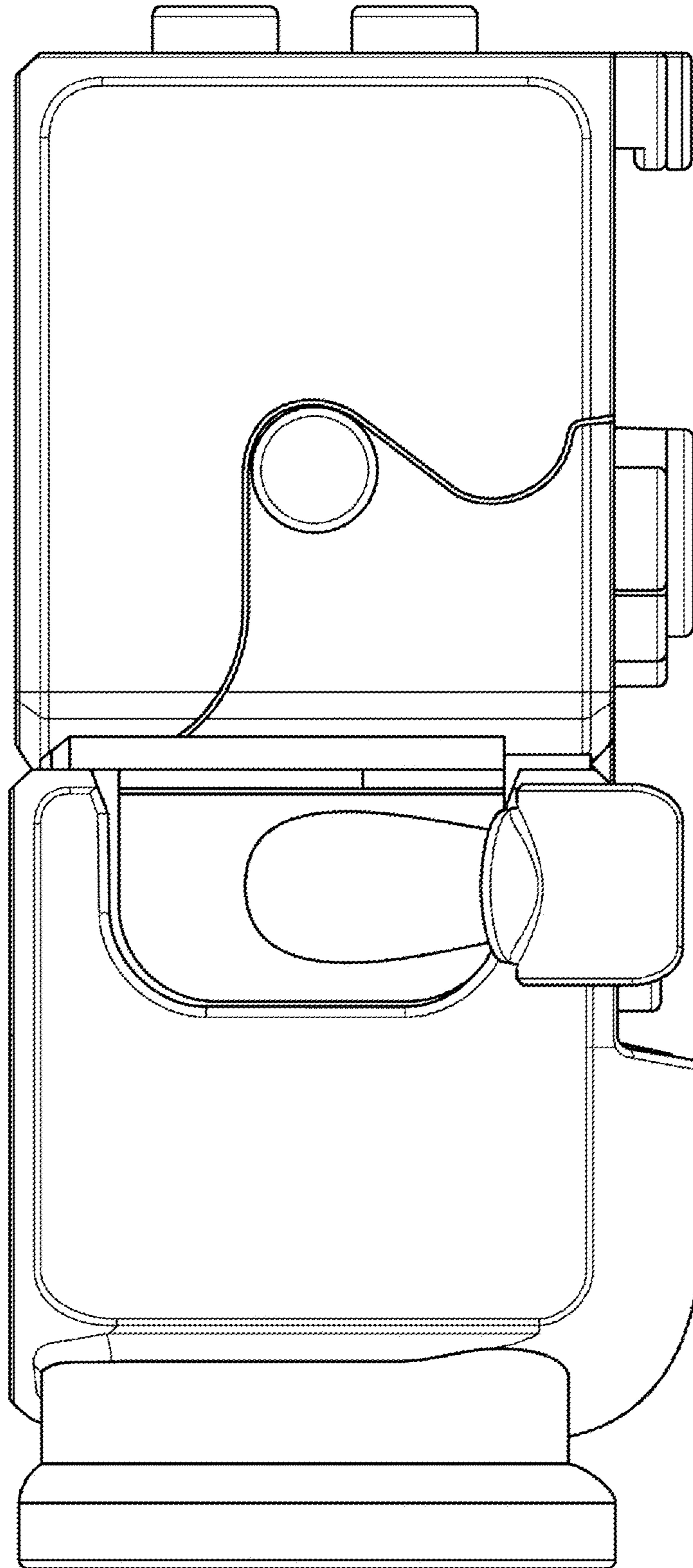


FIG. 1.6

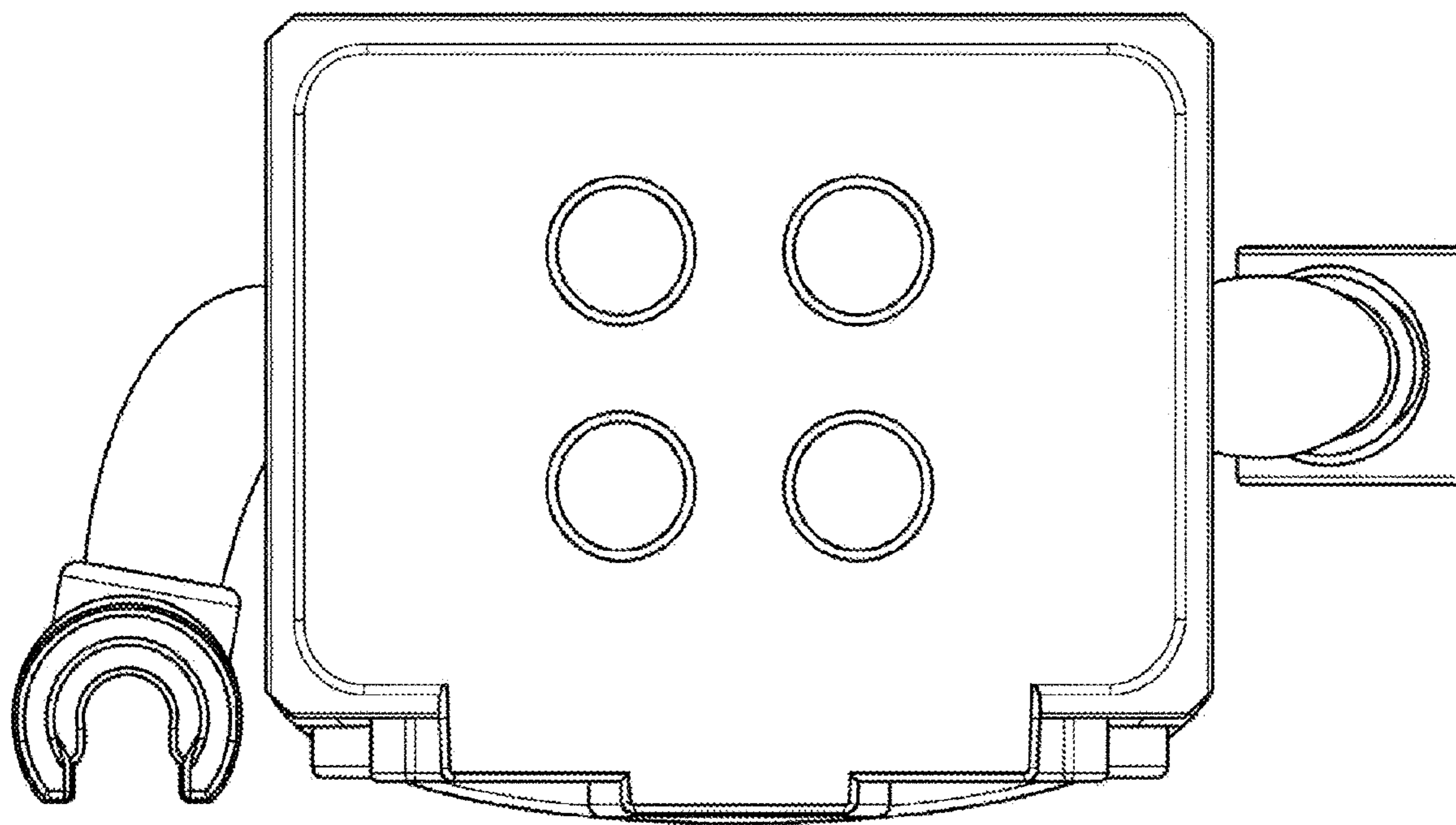


FIG. 1.7

