



US00D943035S

(12) **United States Design Patent**
Cai

(10) **Patent No.:** **US D943,035 S**

(45) **Date of Patent:** **** Feb. 8, 2022**

(54) **REMOTE CONTROL CAR TOY**

(71) Applicant: **Bangle Cai**, Shantou (CN)

(72) Inventor: **Bangle Cai**, Shantou (CN)

(*) Notice: Patent file contains an affidavit/declaration under 37 CFR 1.130(b).

(**) Term: **15 Years**

(21) Appl. No.: **29/756,942**

(22) Filed: **Nov. 2, 2020**

(51) **LOC (13) Cl.** **21-01**

(52) **U.S. Cl.**
USPC **D21/552**

(58) **Field of Classification Search**

USPC D21/533, 548, 549, 550, 552, 557, 558,
D21/559, 560, 561, 562

CPC A63H 17/00; A63H 17/004; A63H 17/26;
A63H 17/262; A63H 17/36; A63H 30/00;
A63H 30/04

See application file for complete search history.

(56) **References Cited**

U.S. PATENT DOCUMENTS

D425,141	S	*	5/2000	Park	D21/550
D498,798	S	*	11/2004	Wei	D21/550
D509,264	S		9/2005	Wei		
D537,486	S		2/2007	Yuen		
D802,685	S	*	11/2017	Barajas	D21/562
D822,126	S	*	7/2018	Allmendinger	D21/562
D825,684	S		8/2018	Gan		
D871,512	S	*	12/2019	Cai	D21/550
D897,452	S	*	9/2020	Lin	D21/550
D897,453	S	*	9/2020	Zhang	D21/550
2012/0322341	A1	*	12/2012	Benedict	A63H 17/40 446/437
2016/0129355	A1	*	5/2016	Erhart	A63H 17/40 446/456
2017/0080350	A1	*	3/2017	Allmendinger	A63H 31/08

OTHER PUBLICATIONS

The Worst Rc Car Ever! posted on youtube by Jake Biling on Jan. 12, 2020. [online], [site visited May 7, 2021]. Available from Internet: <URL: <https://www.youtube.com/watch?v=87Y-MzKtcWI>> (Year: 2020).*

JJRC D820 1/8 2.4G 4WD RC Car Electric Amphibious Off-Road Vehicles RTR Model, Reviewed and online as early as May 17, 2020 [online], [site visited May 7, 2021]. Available from Internet: <URL: <https://banggood.app.link/PfPfYcAX4fb>> (Year: 2020).*

* cited by examiner

Primary Examiner — Cynthia M. Chin

(57) **CLAIM**

The ornamental design for a remote control car toy, as shown and described.

DESCRIPTION

FIG. 1 is a perspective view of a remote control car toy showing my new design;

FIG. 2 is another perspective view thereof;

FIG. 3 is another perspective view thereof;

FIG. 4 is a front elevational view thereof;

FIG. 5 is a rear elevational view thereof;

FIG. 6 is a left side elevational view thereof;

FIG. 7 is a right side elevational view thereof;

FIG. 8 is a top plan view thereof;

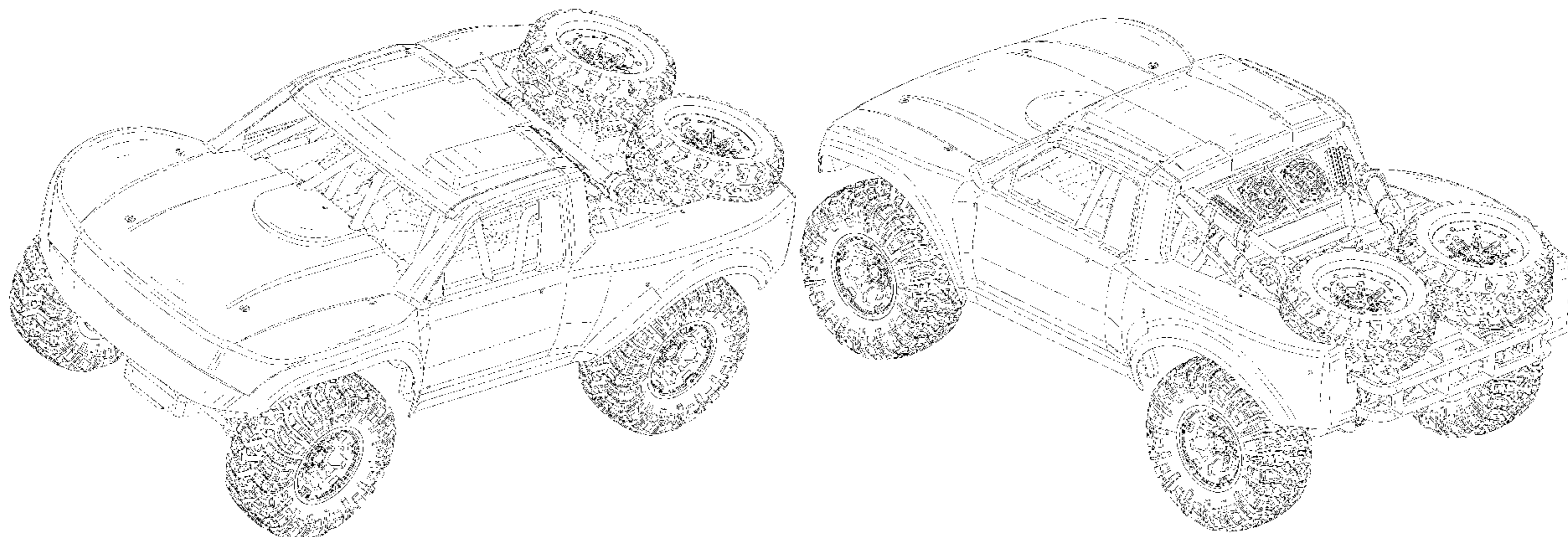
FIG. 9 is a bottom plan view thereof;

FIG. 10 is an enlarged partial view taken from a front wheel shown in FIG. 1; and,

FIG. 11 is an enlarged partial view taken from a bottom of the remote control car toy shown in FIG. 2.

The dash-dash broken lines in the drawings depict portions of the remote control car toy that form no part of the claimed design. The dash-dot broken lines represent the boundaries of the enlarged partial views of FIGS. 10 and 11 and form no part of the claimed design.

1 Claim, 11 Drawing Sheets



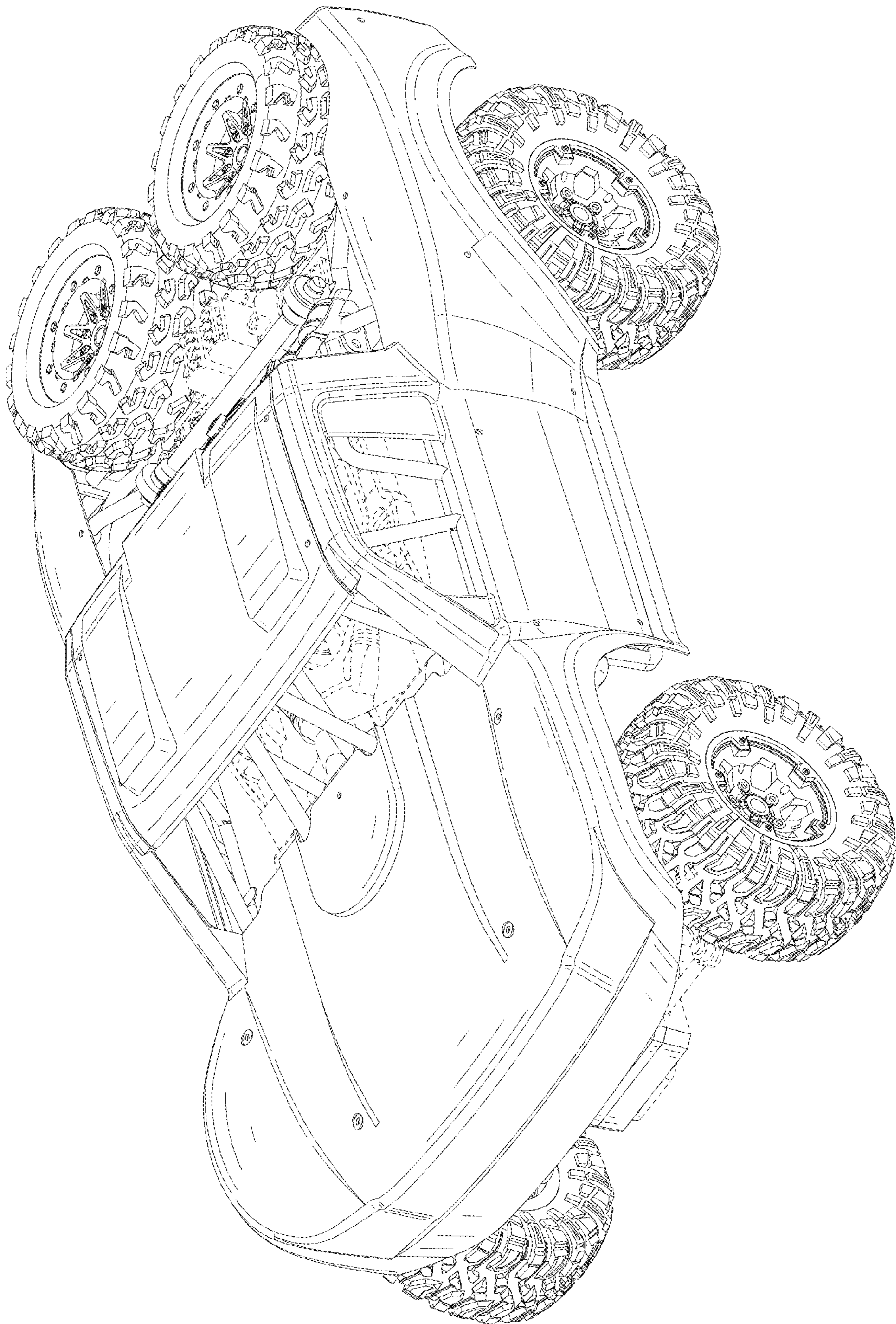


FIG. 1

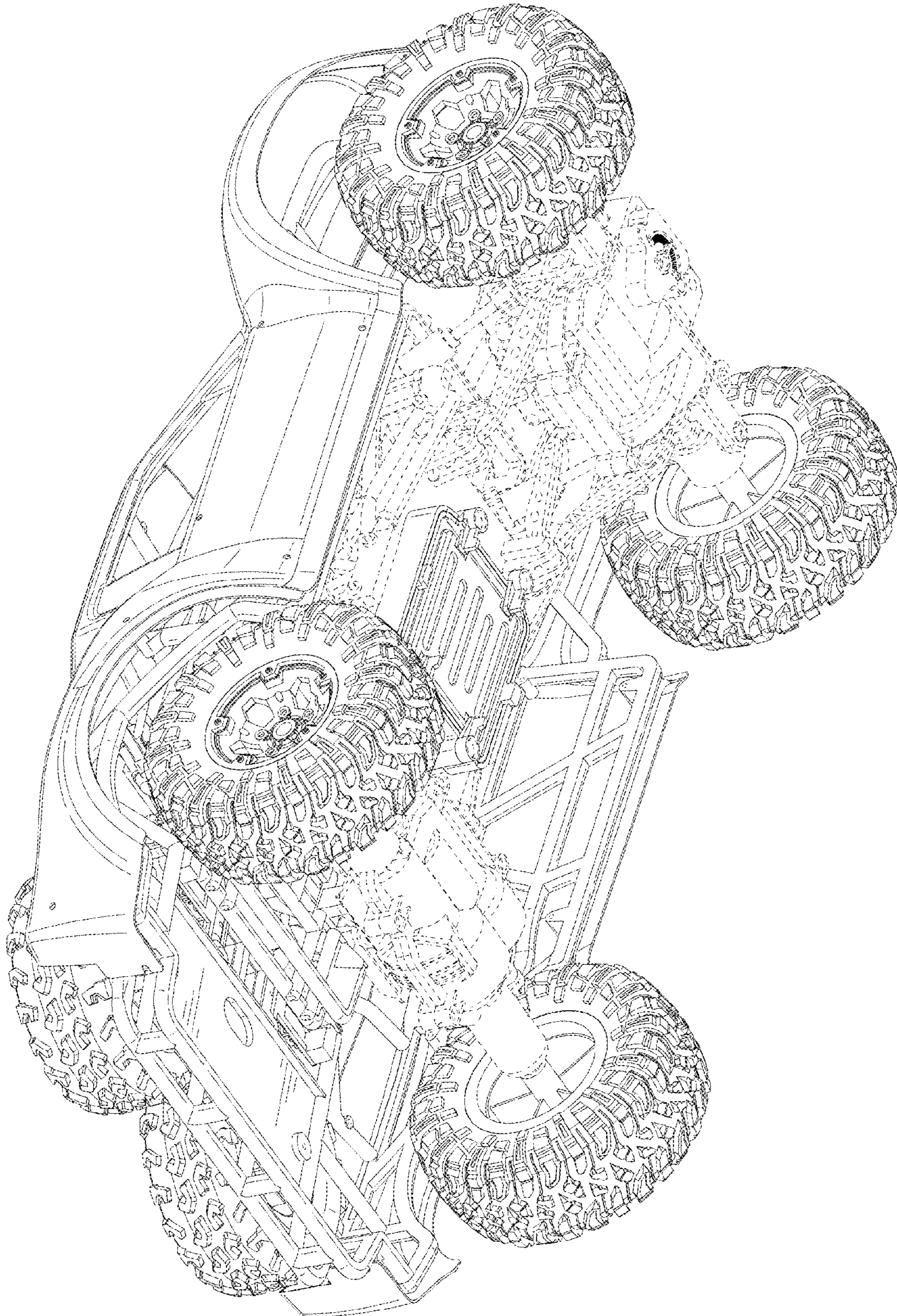


FIG. 2

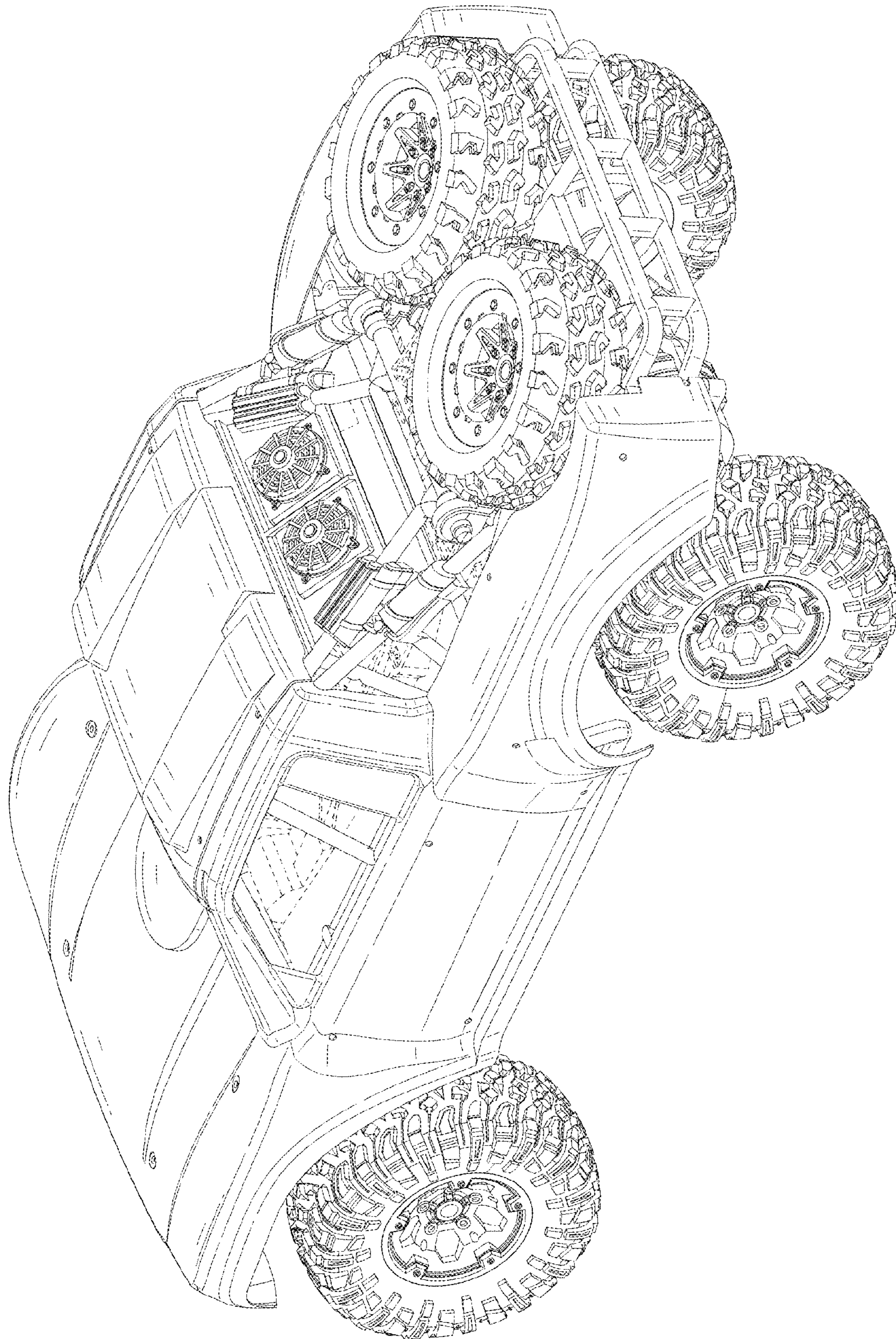


FIG. 3

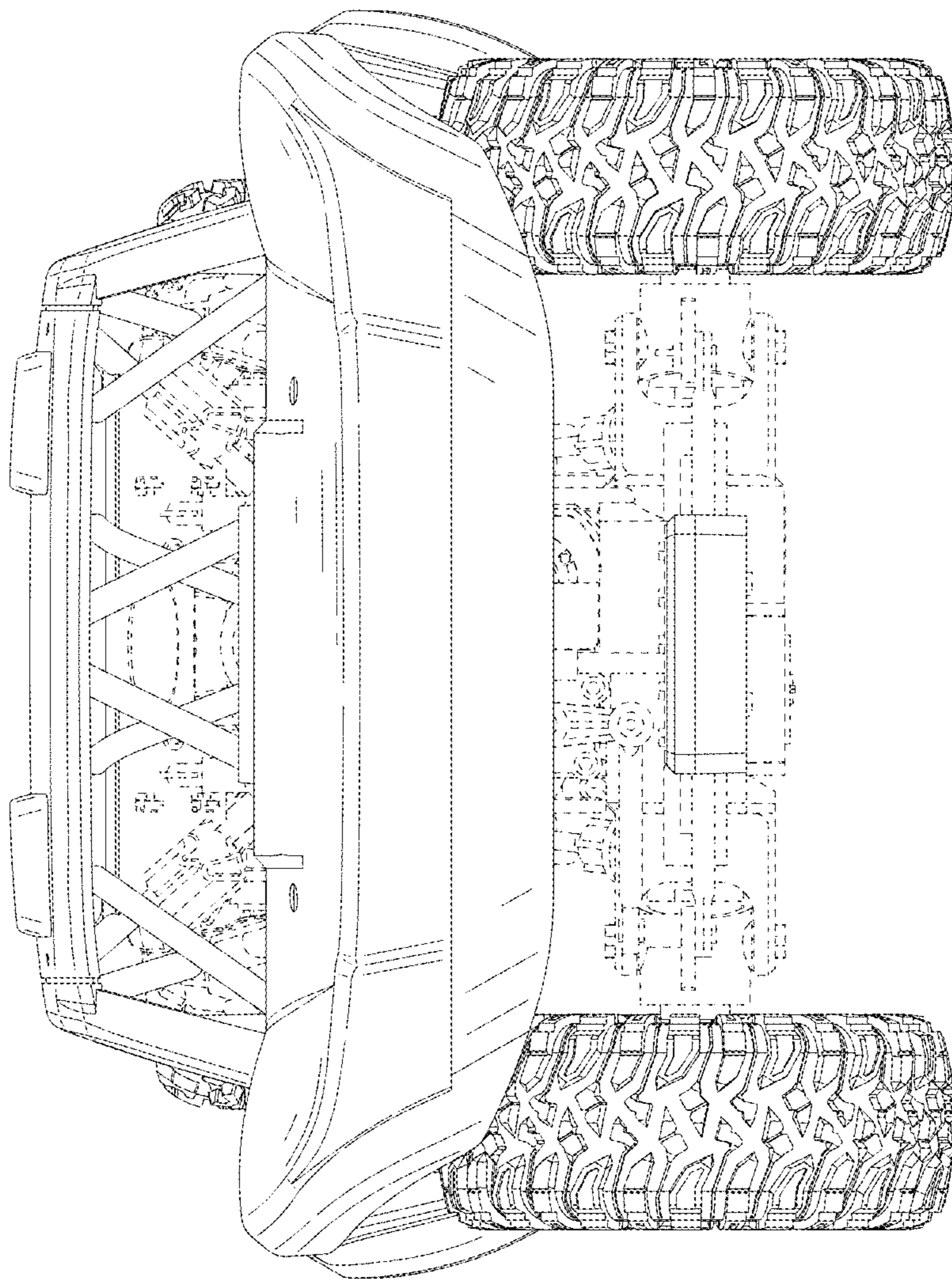


FIG. 4

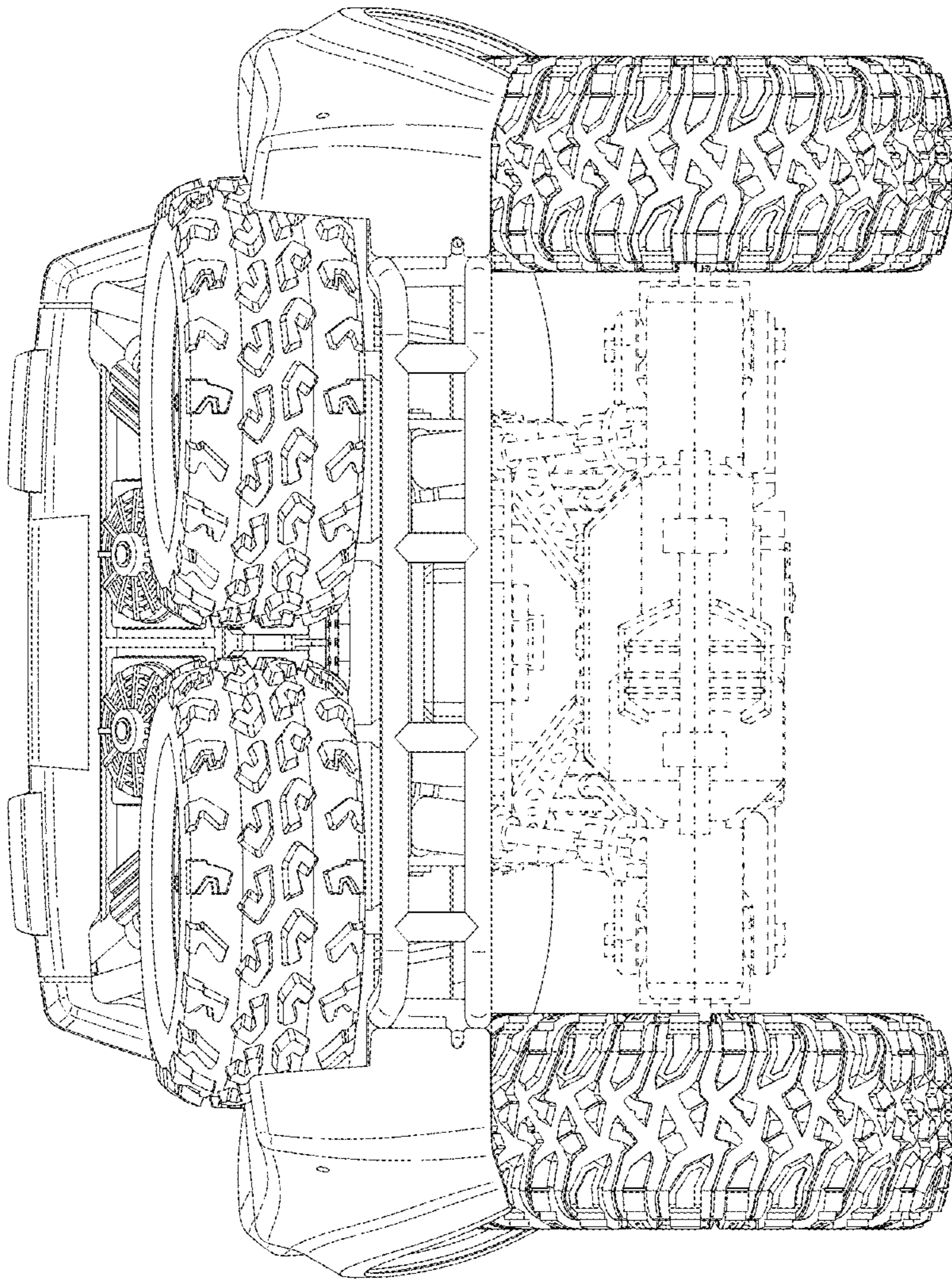


FIG. 5

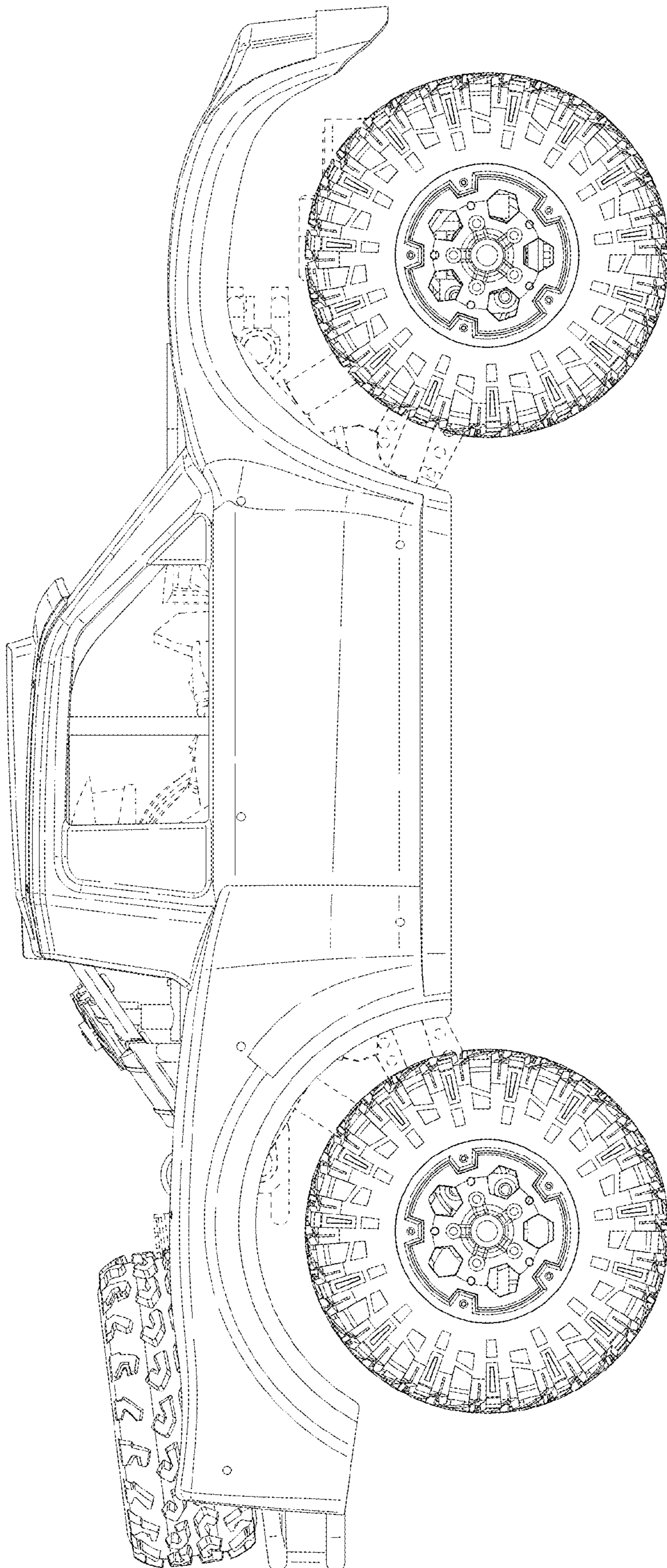


FIG. 6

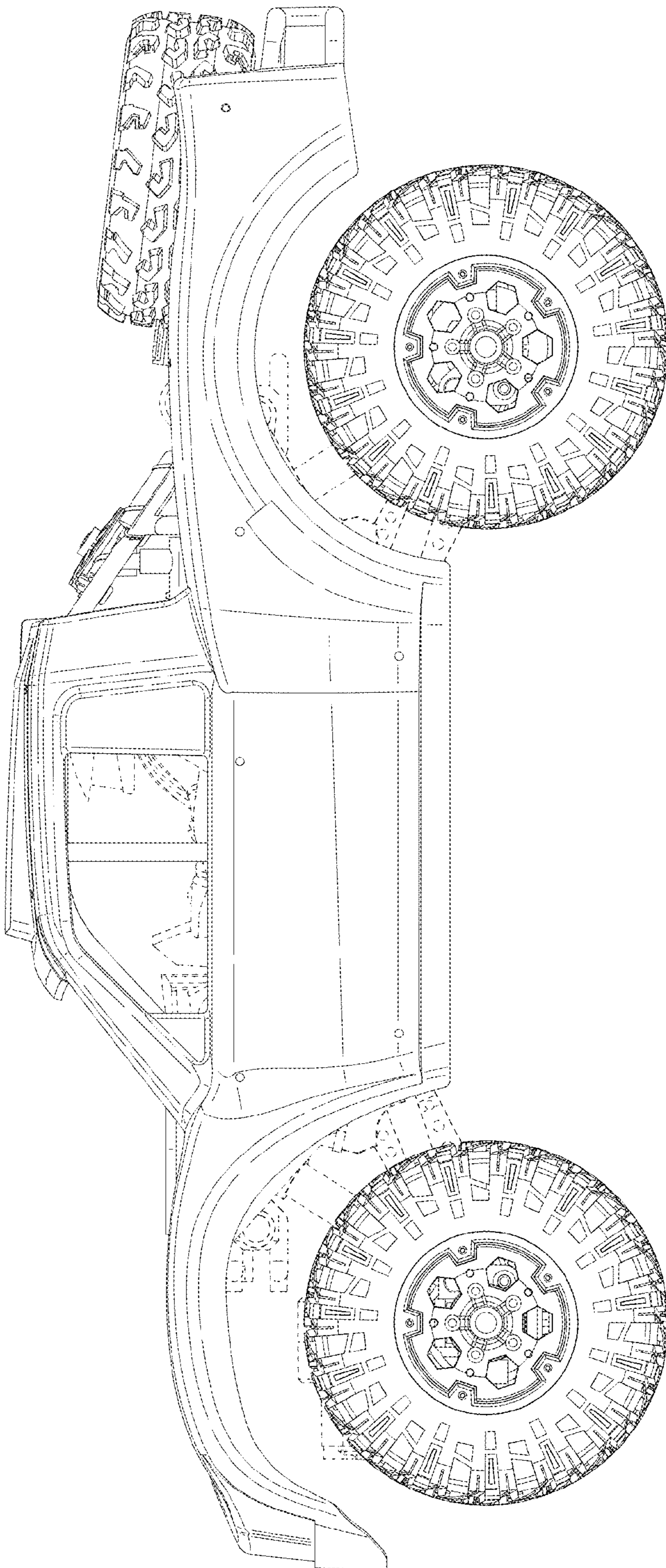


FIG. 7

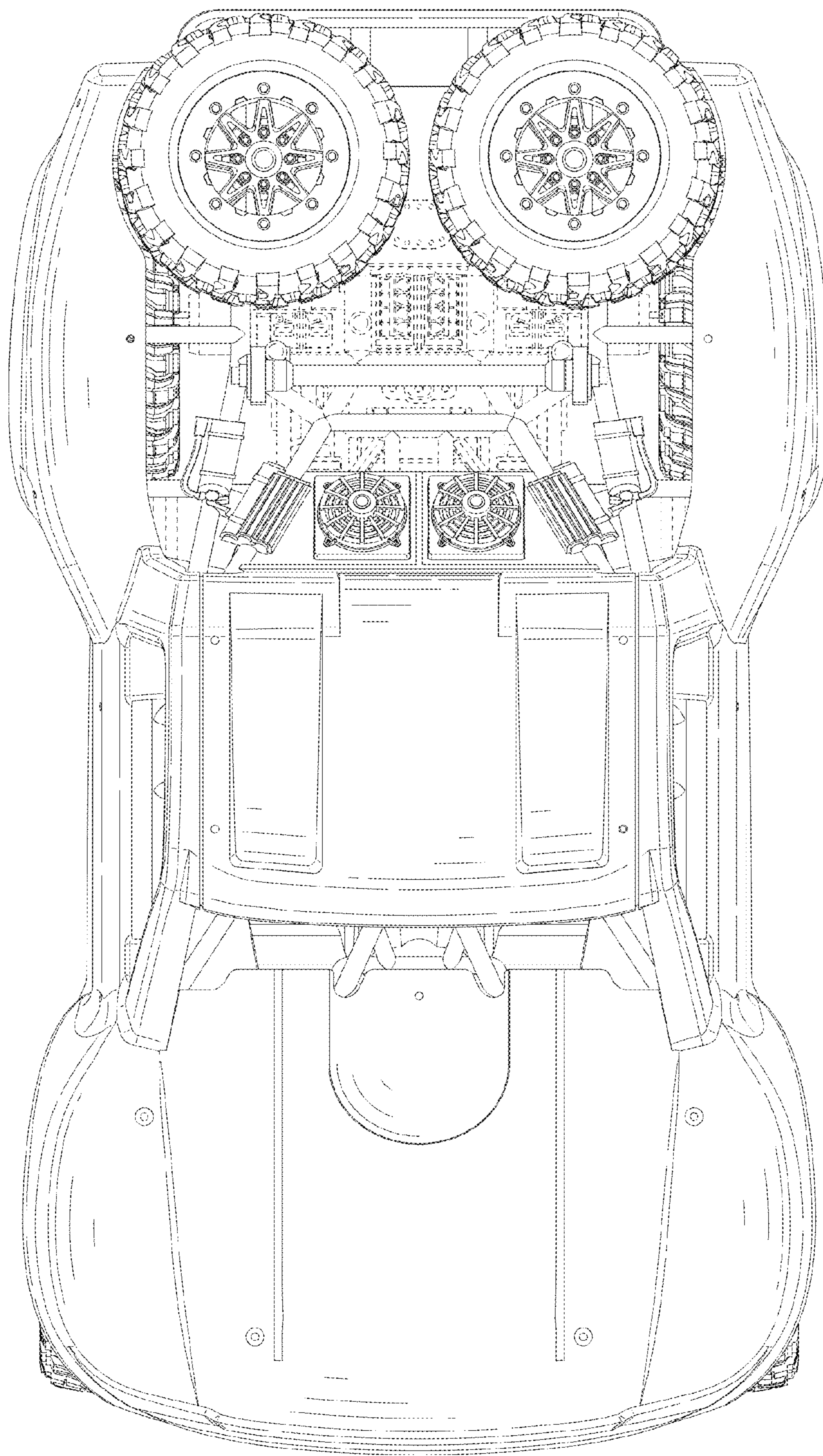


FIG. 8

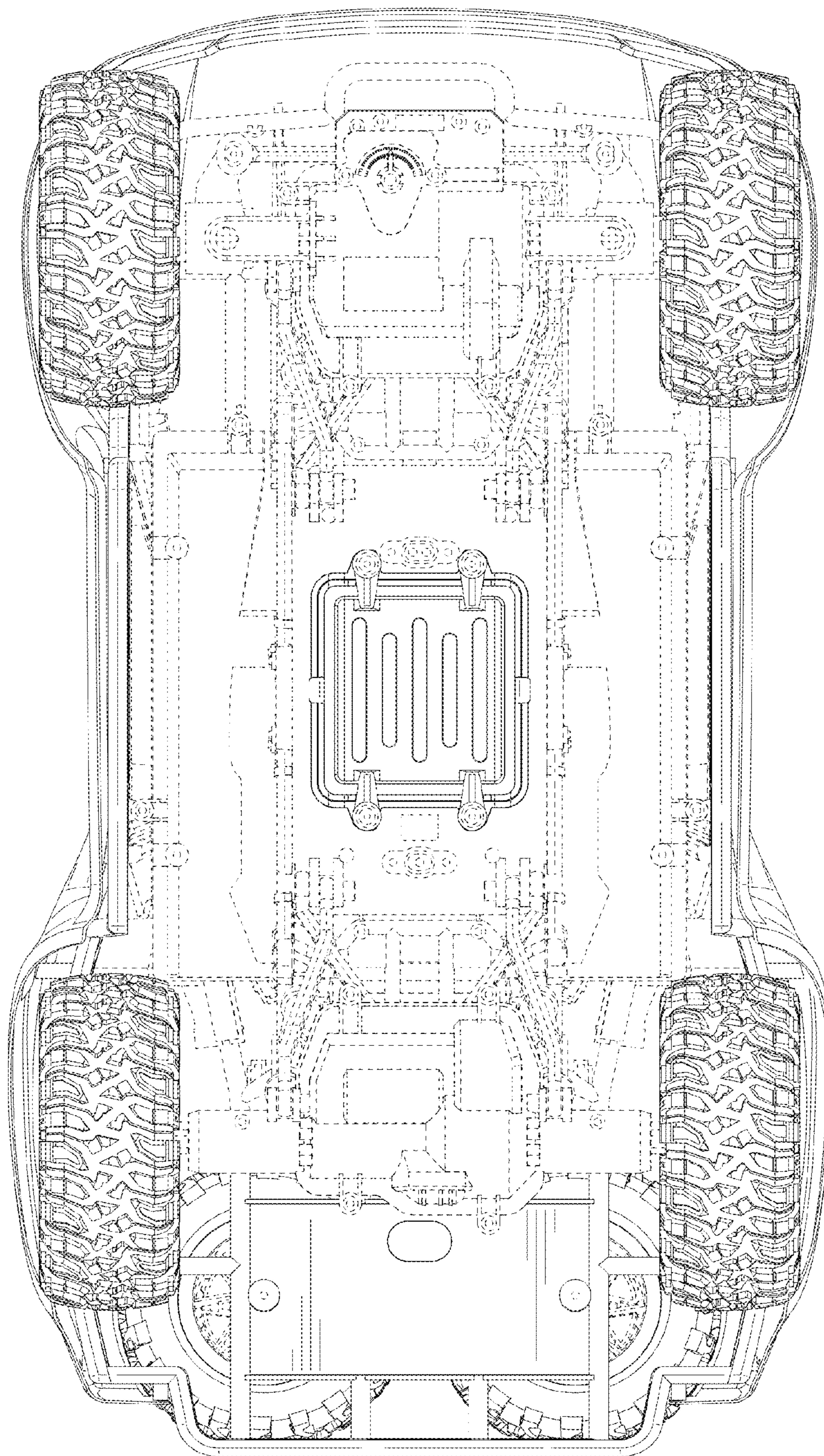


FIG. 9

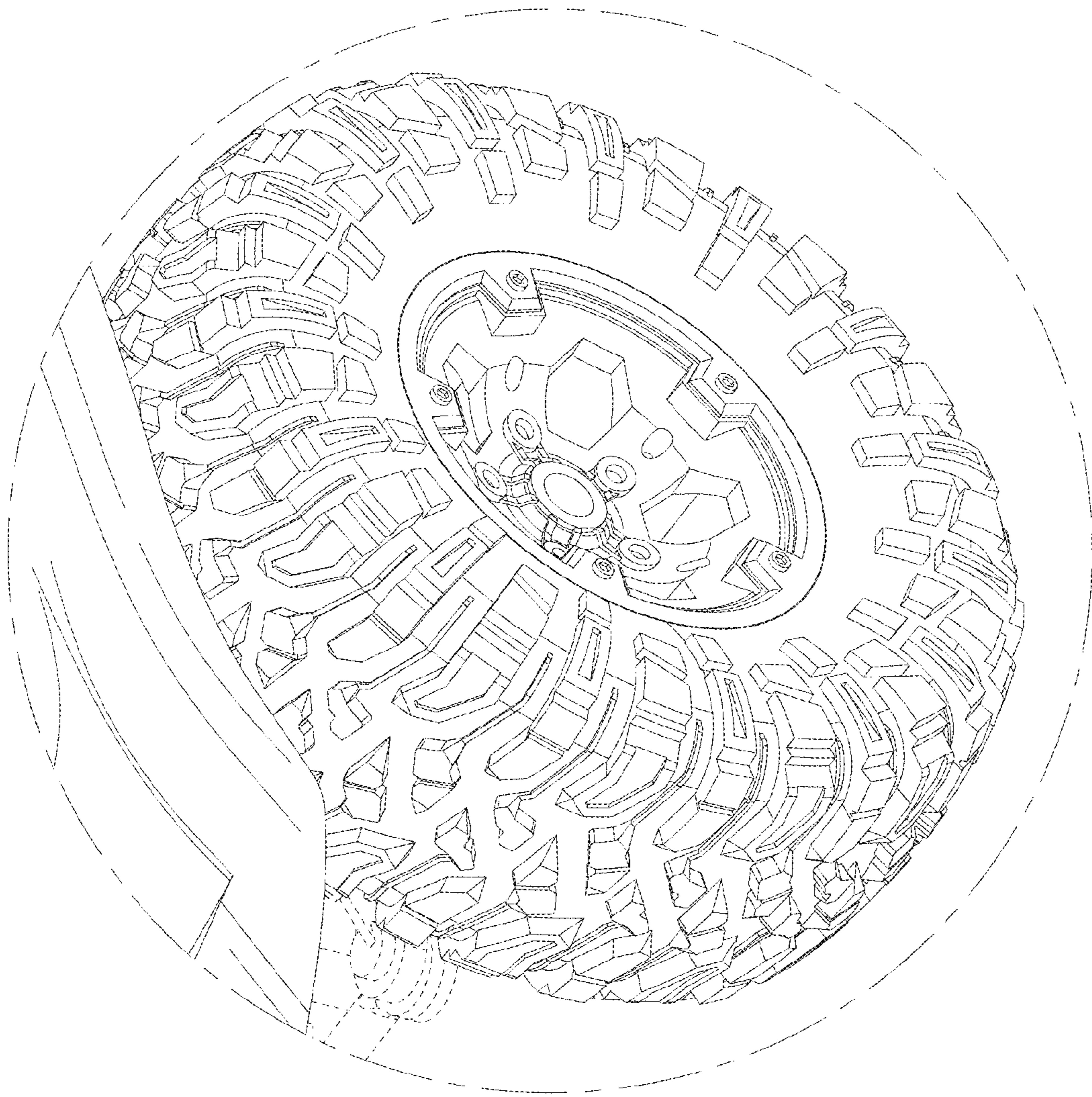


FIG. 10

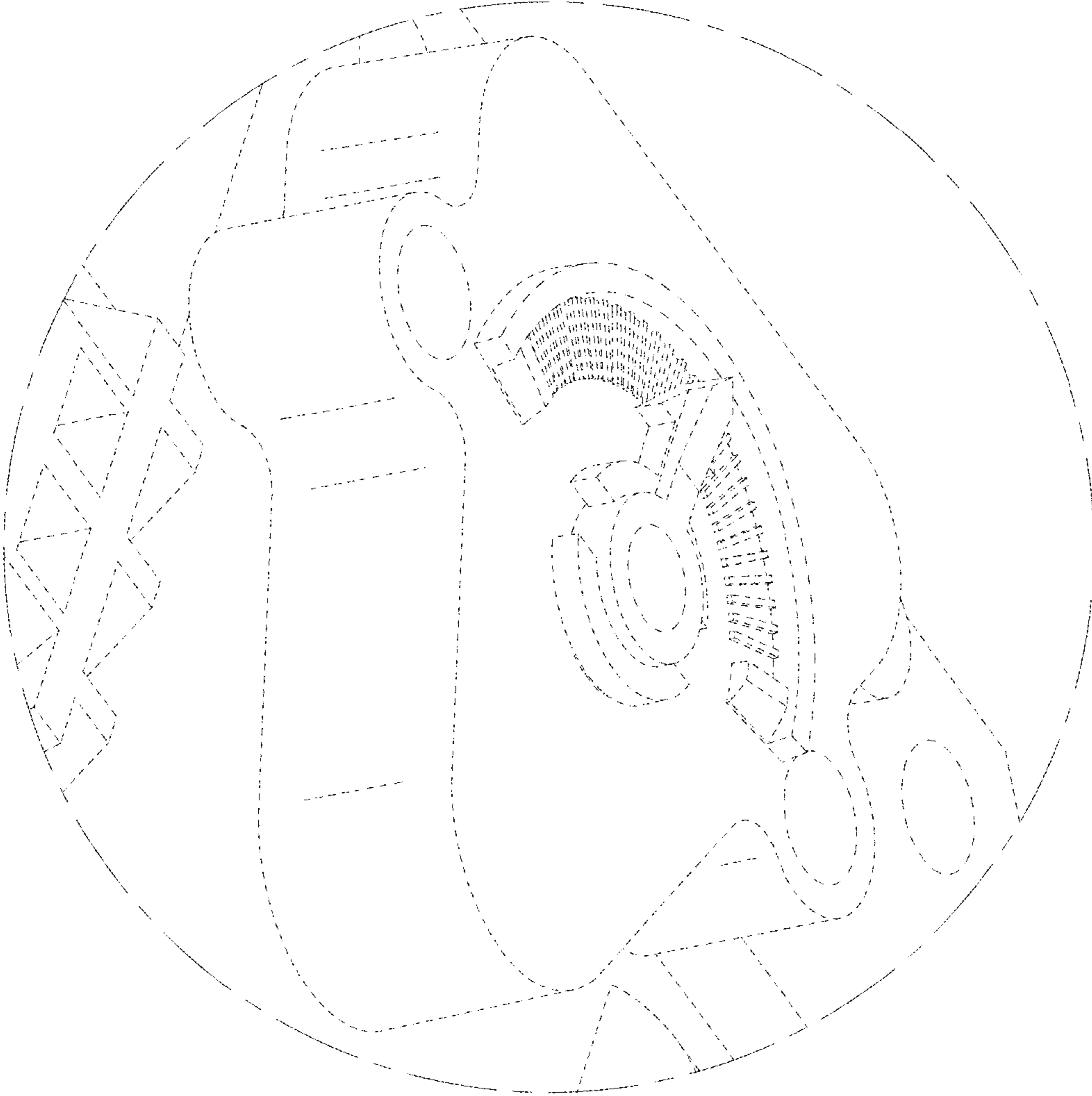


FIG. 11