



US00D943034S

(12) **United States Design Patent**
Liu et al.

(10) **Patent No.:** **US D943,034 S**
(45) **Date of Patent:** **** Feb. 8, 2022**

(54) **SCOOTER**

(71) Applicant: **Ninebot (Beijing) Tech Co., Ltd.**,
Beijing (CN)

(72) Inventors: **Lei Liu**, Beijing (CN); **Xinyu Song**,
Beijing (CN)

(**) Term: **15 Years**

(21) Appl. No.: **35/511,183**

(22) Filed: **Jul. 22, 2020**

(80) **Hague Agreement Data**

Int. Filing Date: **Jul. 22, 2020**

Int. Reg. No.: **DM/210375**

Int. Reg. Date: **Jul. 22, 2020**

Int. Reg. Pub. Date: **Jan. 22, 2021**

(30) **Foreign Application Priority Data**

Jan. 22, 2020 (CN) 202030044566.0

(51) **LOC (13) Cl.** **12-11**

(52) **U.S. Cl.**
USPC **D21/423**

(58) **Field of Classification Search**

USPC D12/107, 109-113; D21/419, 423

CPC B62D 51/00; B62D 51/001; B62D 51/02;
B62D 61/00; B62D 61/02; B62K 9/00;
B62K 11/00; B62K 11/10

See application file for complete search history.

(56) **References Cited**

U.S. PATENT DOCUMENTS

D827,036 S * 8/2018 Sebban D21/423

D829,826 S * 10/2018 Liu D21/423

D834,097 S * 11/2018 Lin D21/423

(Continued)

Primary Examiner — George D. Kirschbaum

Assistant Examiner — Joseph J Kukella

(57) **CLAIM**

The ornamental design for a scooter, as shown and described.

DESCRIPTION

The patent or application file contains at least one drawing executed in color. Copies of this patent or patent application publication with color drawing(s) will be provided by the Office upon request and payment of the necessary fee.

1.-2. Scooter

1.1 : Front

1.2 : Back

1.3 : Left

1.4 : Right

1.5 : Top

1.6 : Bottom

1.7 : Perspective

1.8 : Front view in folded state

1.9 : Back view in folded state

1.10 : Left view in folded state

1.11 : Right view in folded state

1.12 : Top view in folded state

1.13 : Bottom view in folded state

1.14 : Perspective view in folded state

2.1 : Front

2.2 : Back

2.3 : Left

2.4 : Right

2.5 : Top

2.6 : Bottom

2.7 : Perspective

2.8 : Front view in folded state

2.9 : Back view in folded state

2.10 : Left view in folded state

2.11 : Right view in folded state

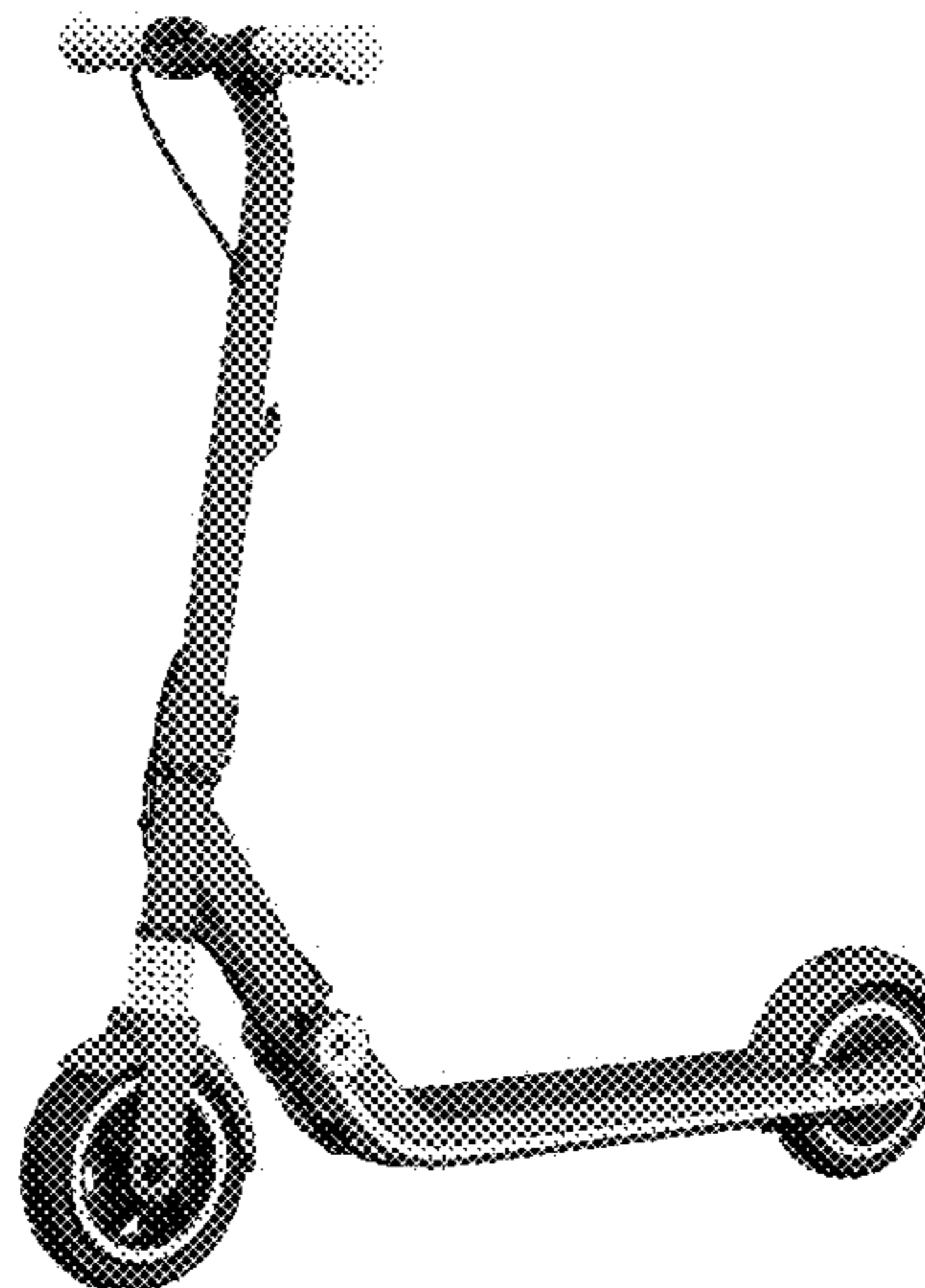
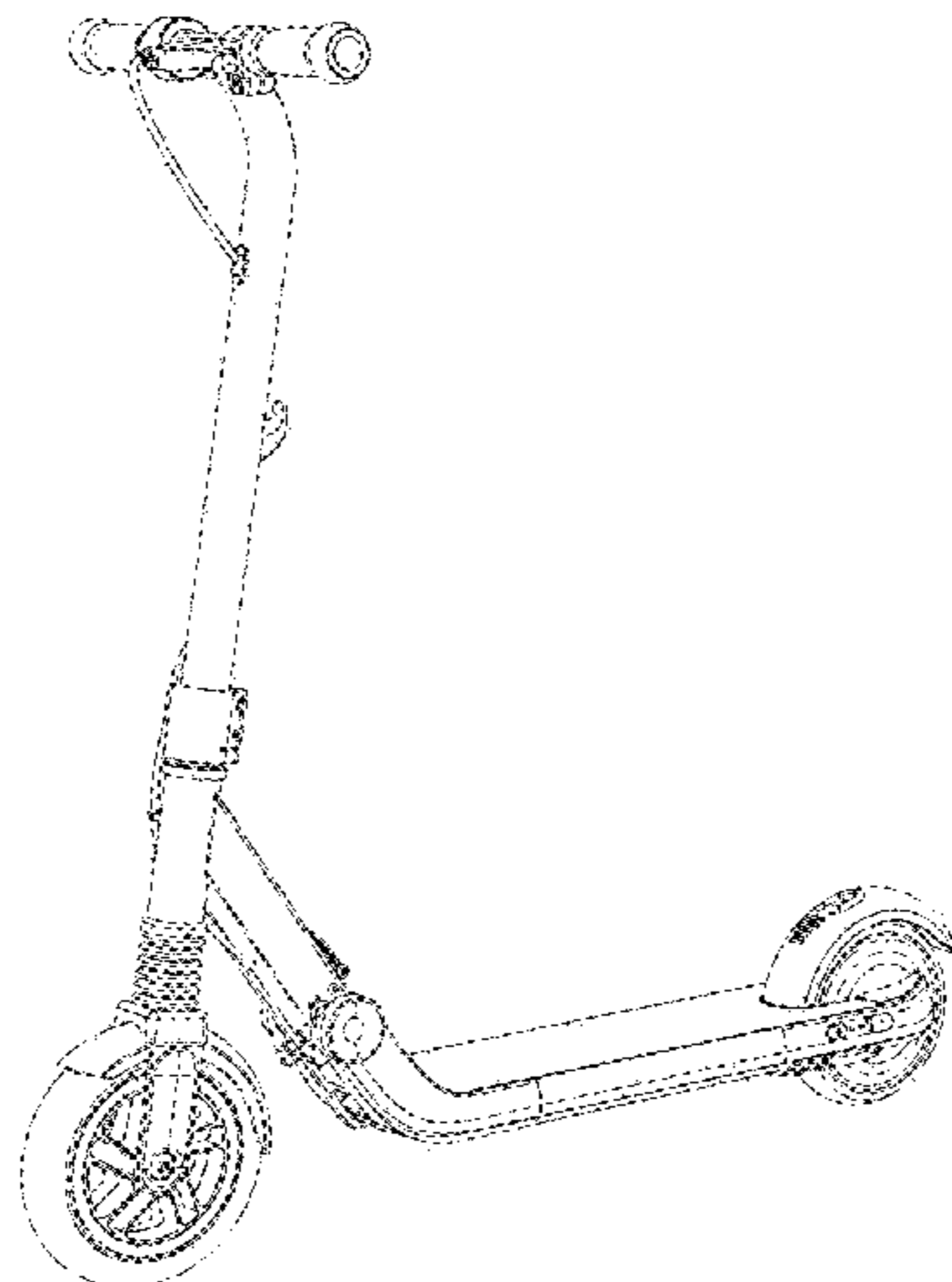
2.12 : Top view in folded state

2.13 : Bottom view in folded state

2.14 : Perspective view in folded state

Color forms no part of the claimed design.

1 Claim, 28 Drawing Sheets
(14 of 28 Drawing Sheet(s) Filed in Color)



(56)

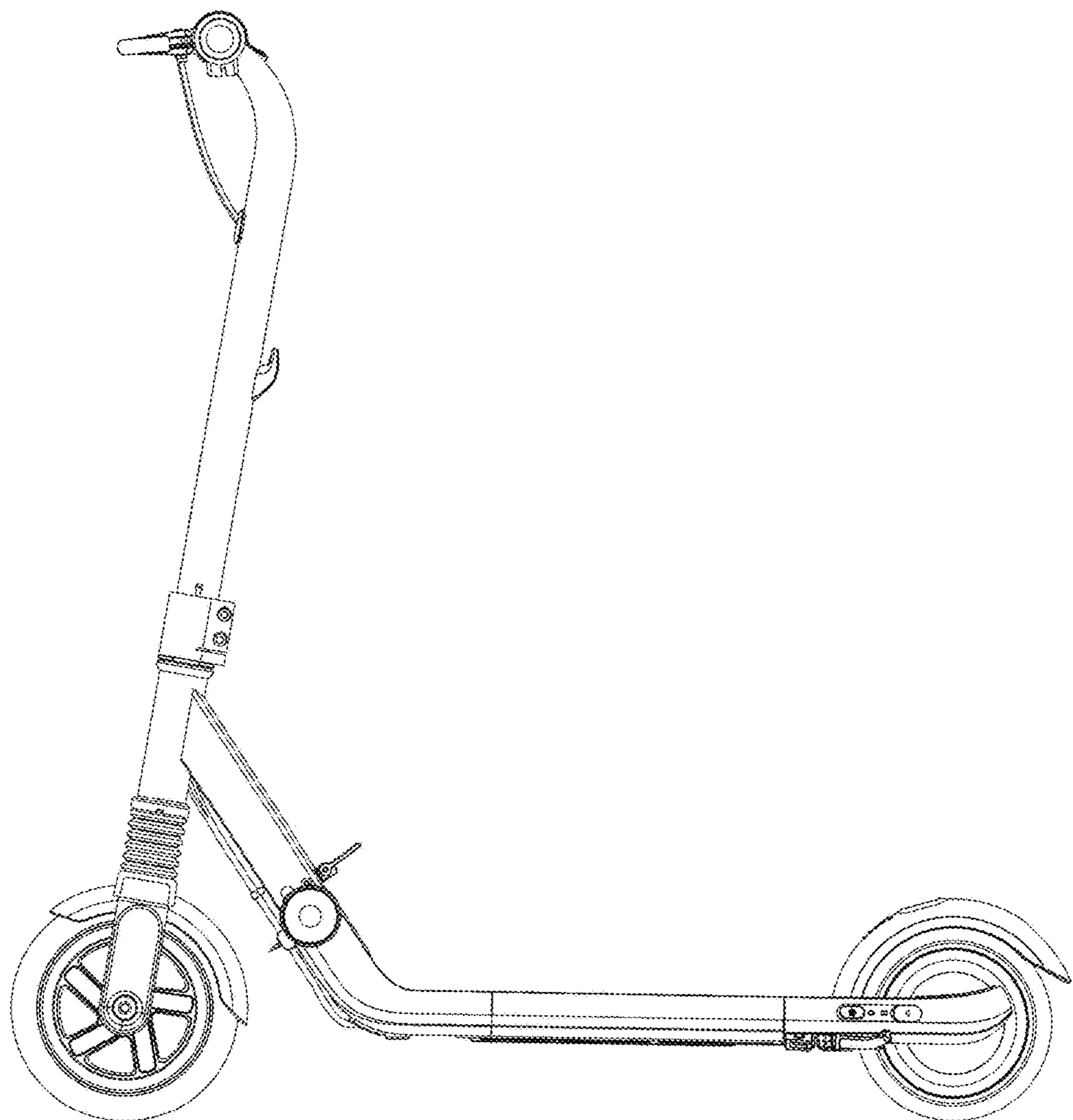
References Cited

U.S. PATENT DOCUMENTS

D849,153 S *	5/2019	Zhang	D21/423
D858,647 S *	9/2019	Liu	D21/423
D886,907 S *	6/2020	Gao	D21/423
D890,852 S *	7/2020	Yang	D21/423
D910,121 S *	2/2021	Liu	D21/423
D911,457 S *	2/2021	Yu	D21/423
D918,305 S *	5/2021	Fan	D21/423
D921,764 S *	6/2021	Zhang	D21/423
D921,765 S *	6/2021	Ostergaard	D21/423
D923,103 S *	6/2021	Zheng	D21/423

* cited by examiner

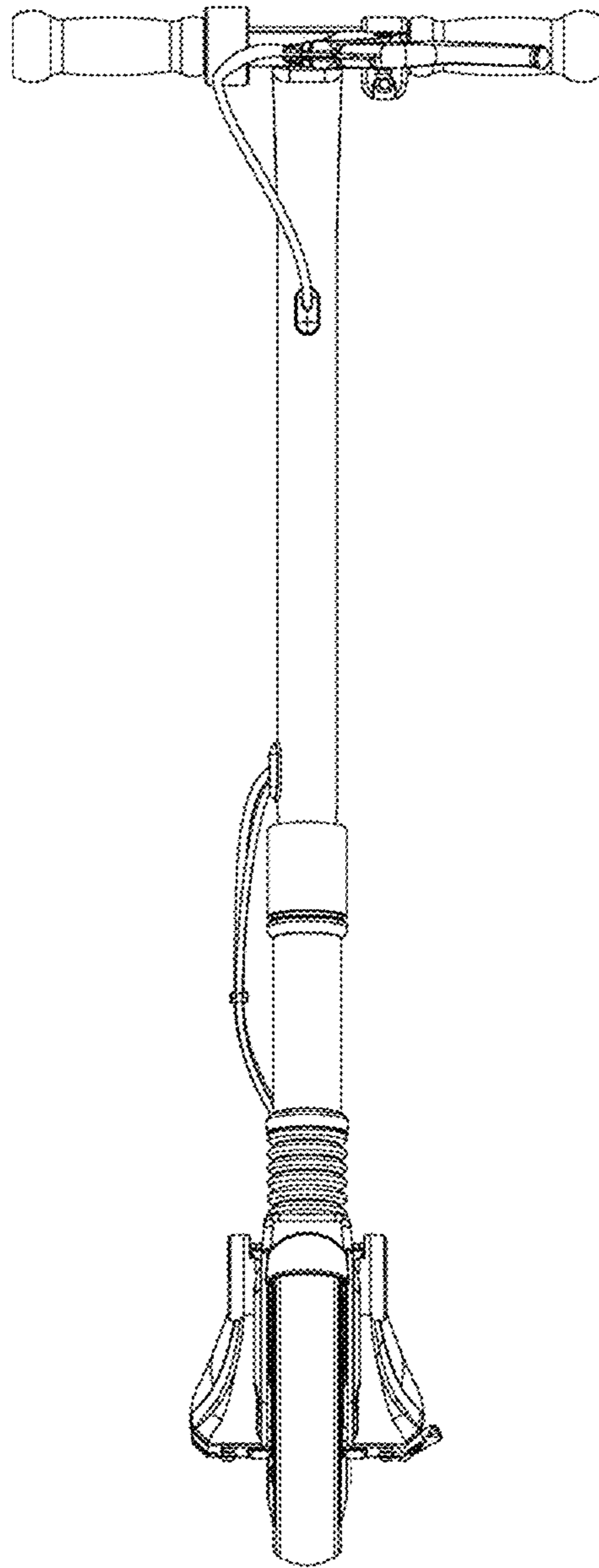
1.1



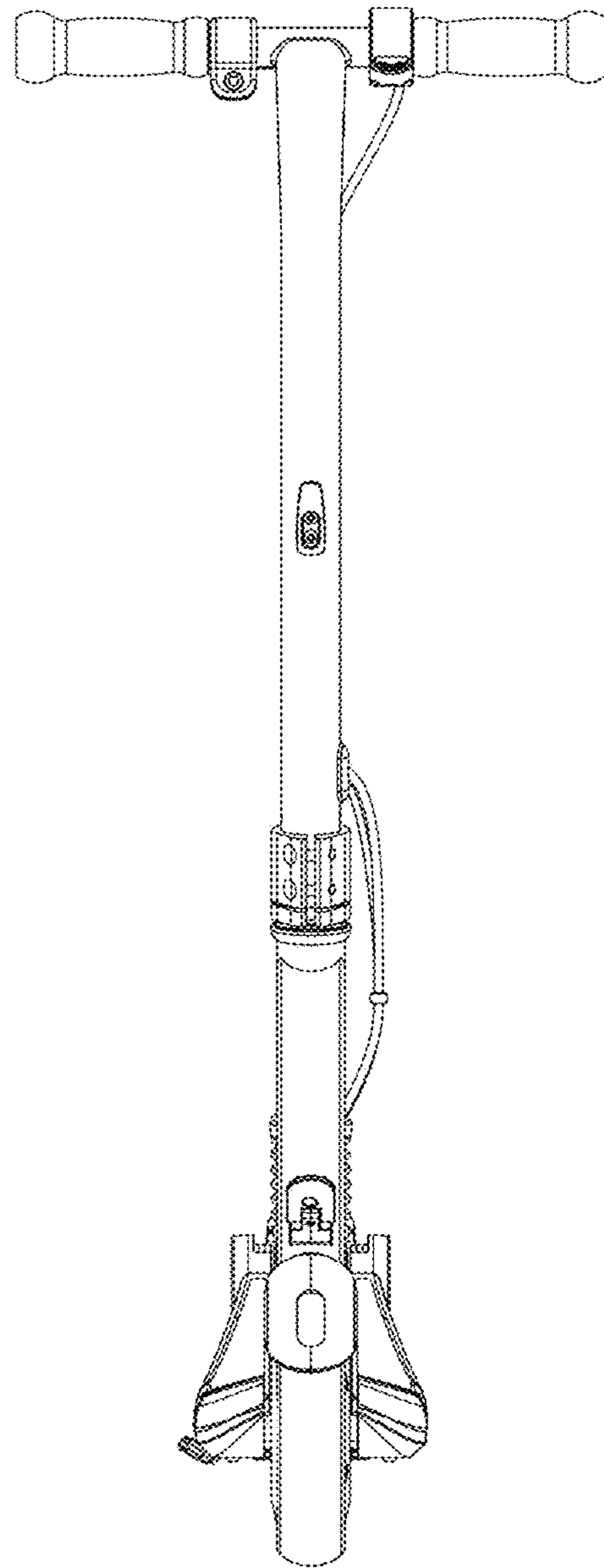
1.2



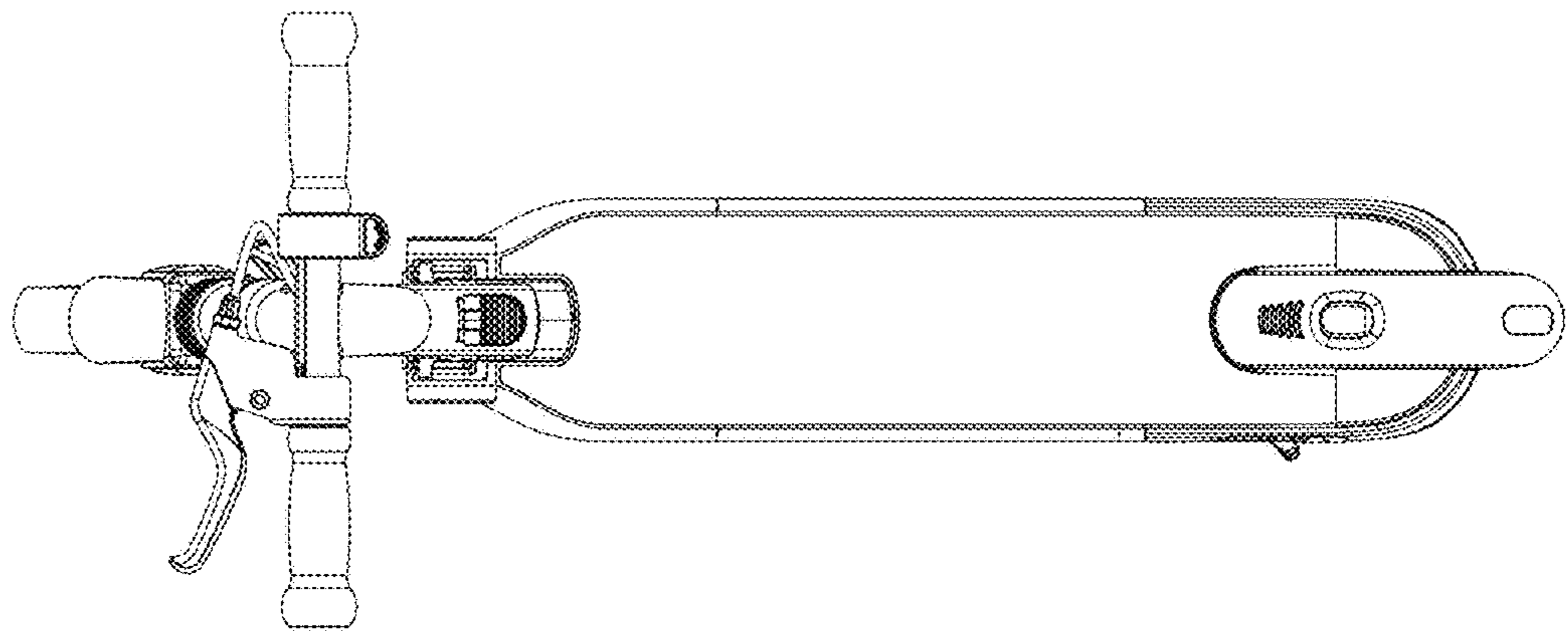
1.3



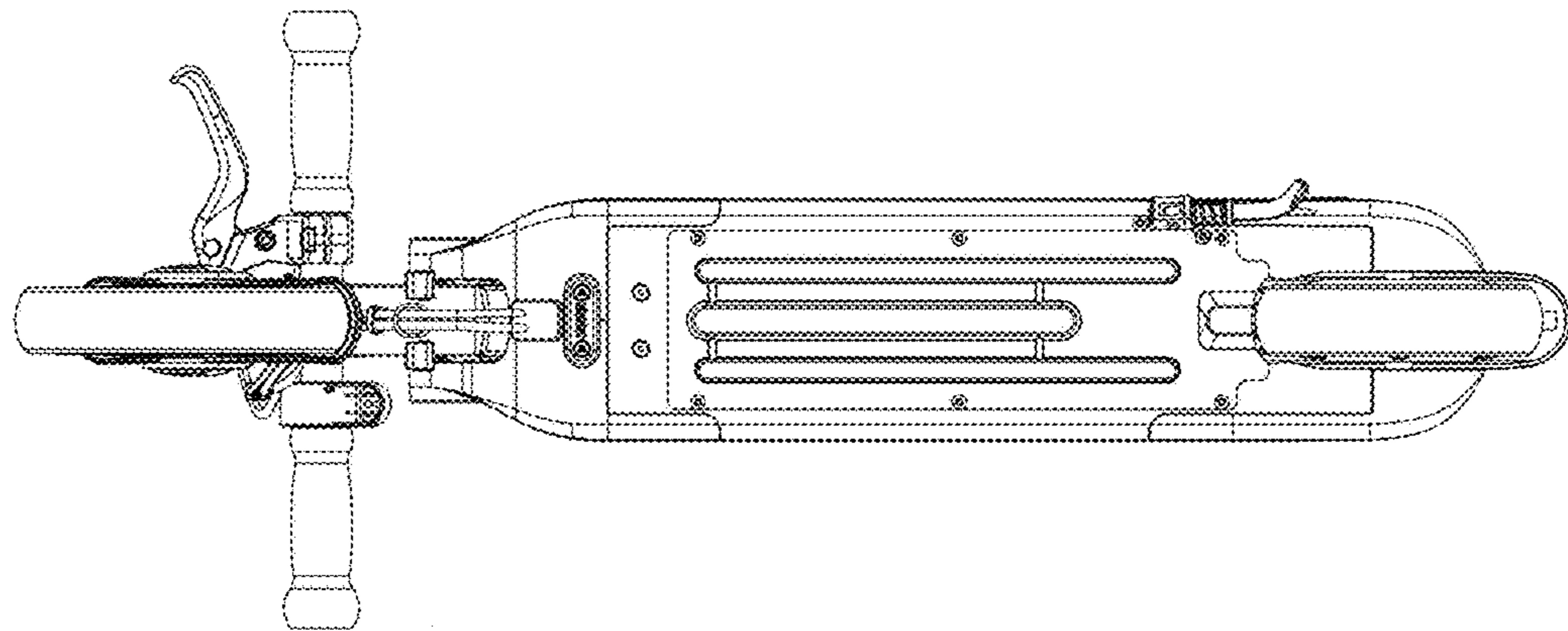
1.4



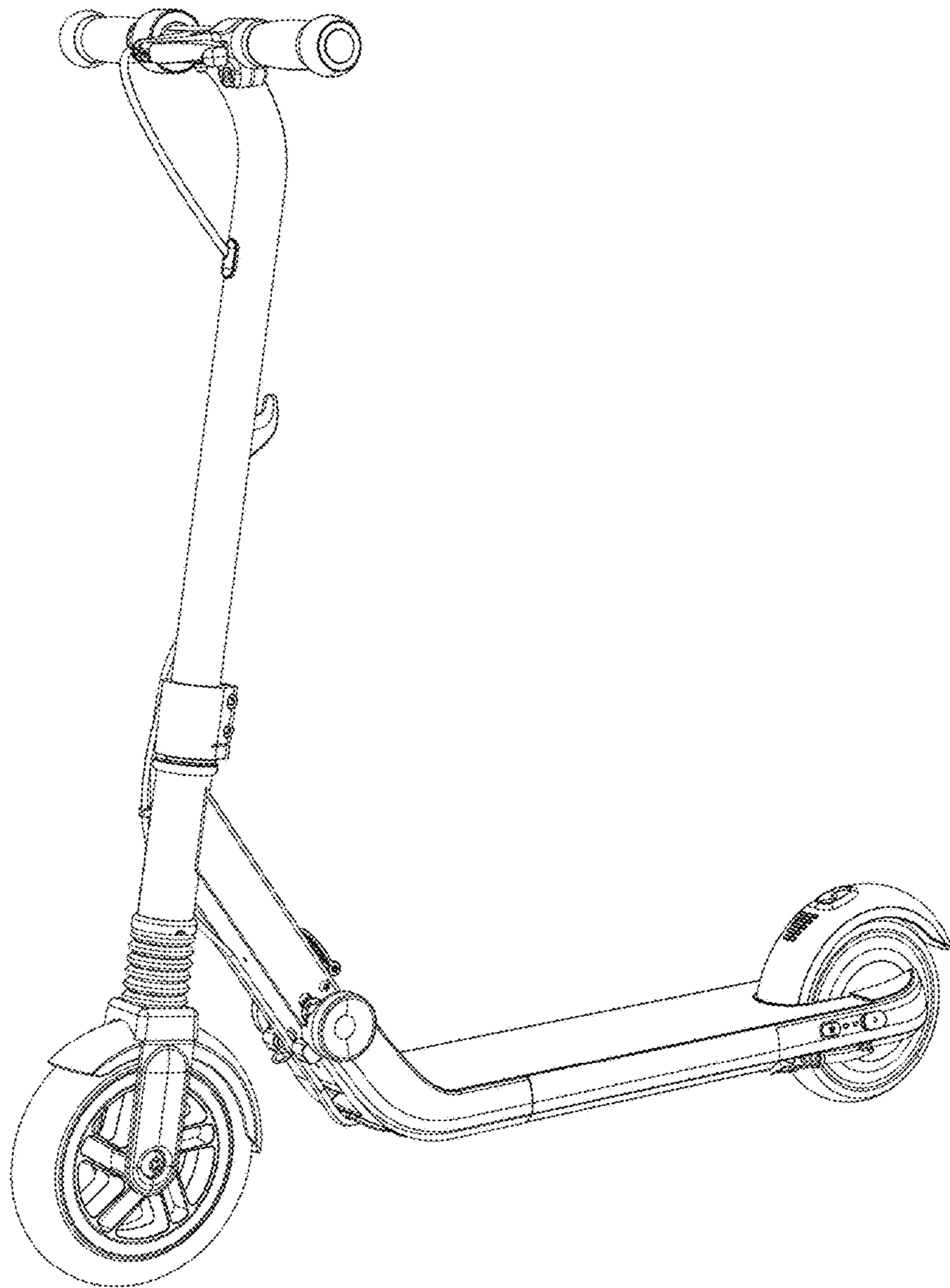
1.5



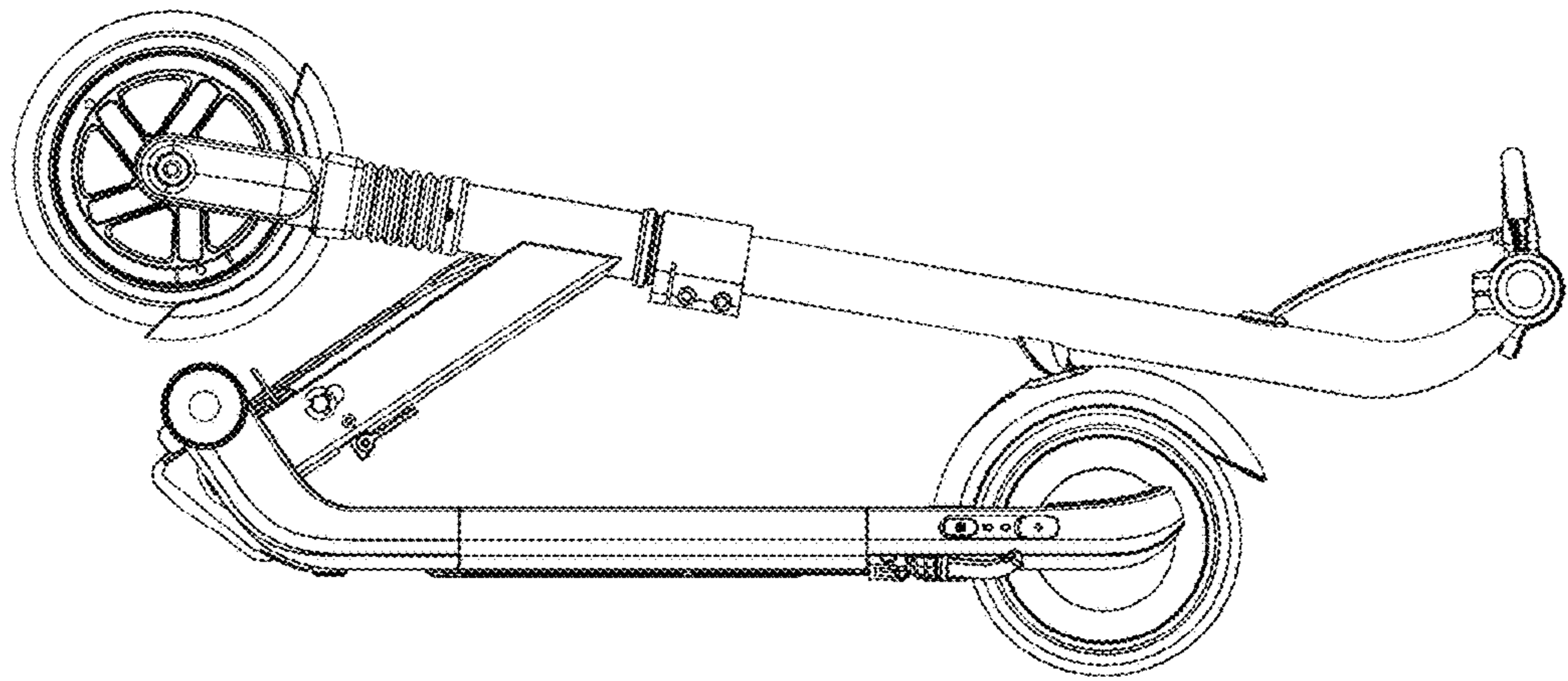
1.6



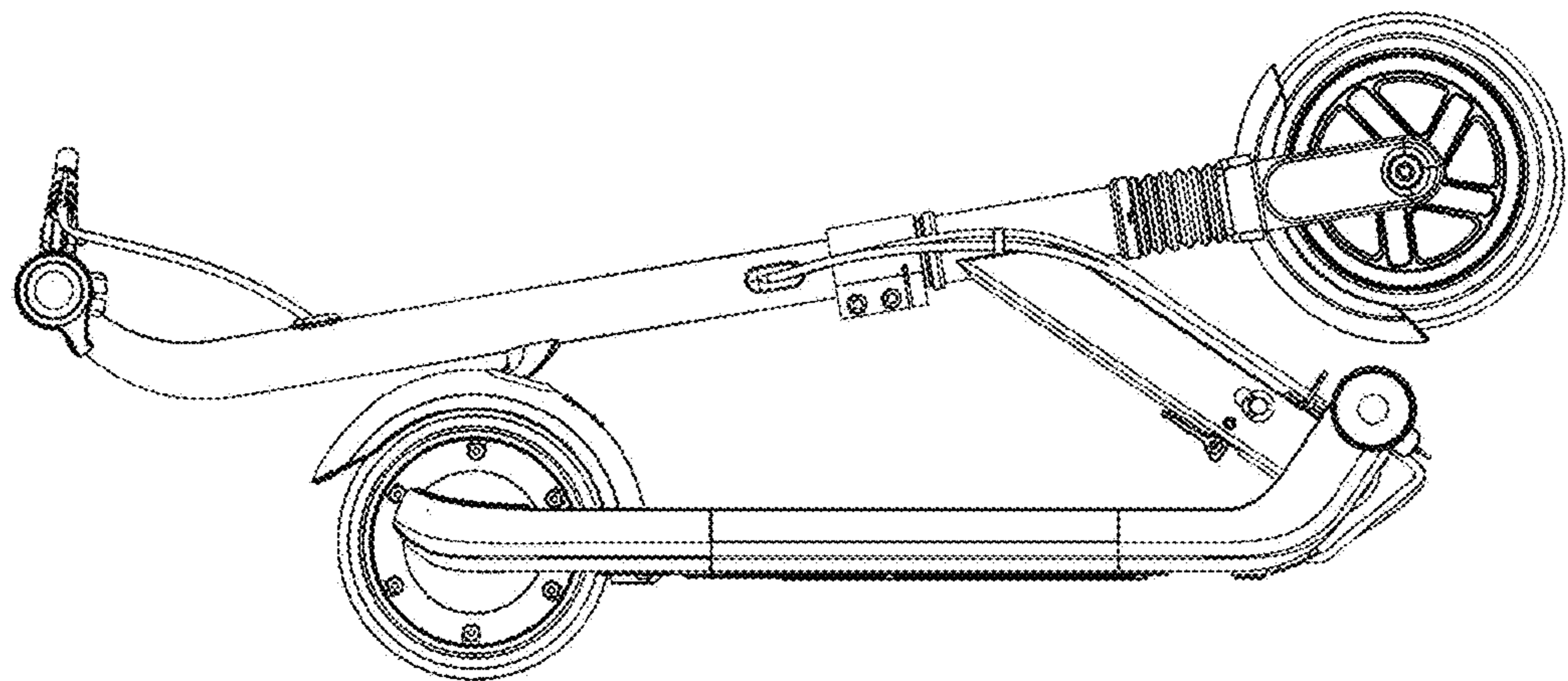
1.7



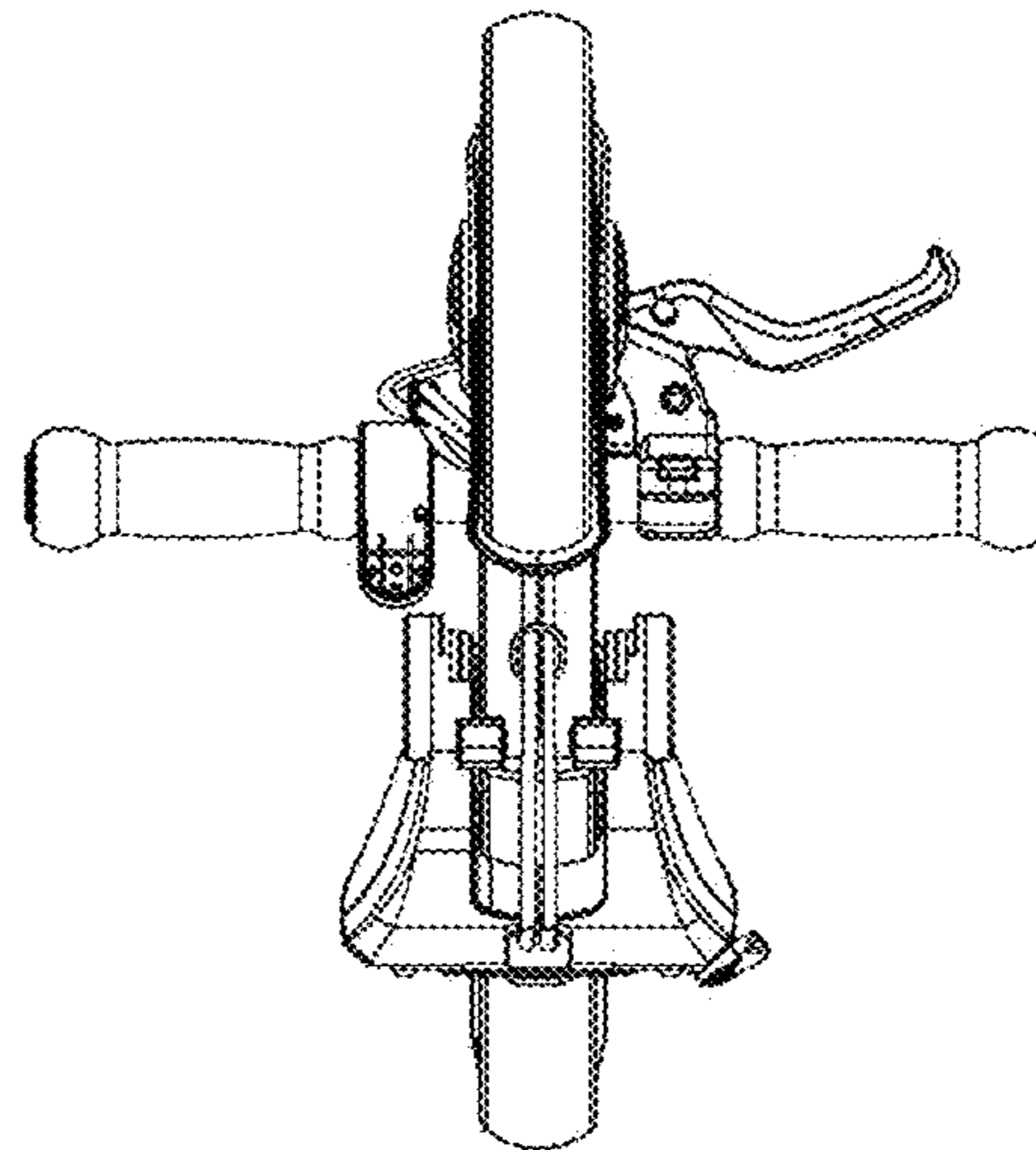
1.8



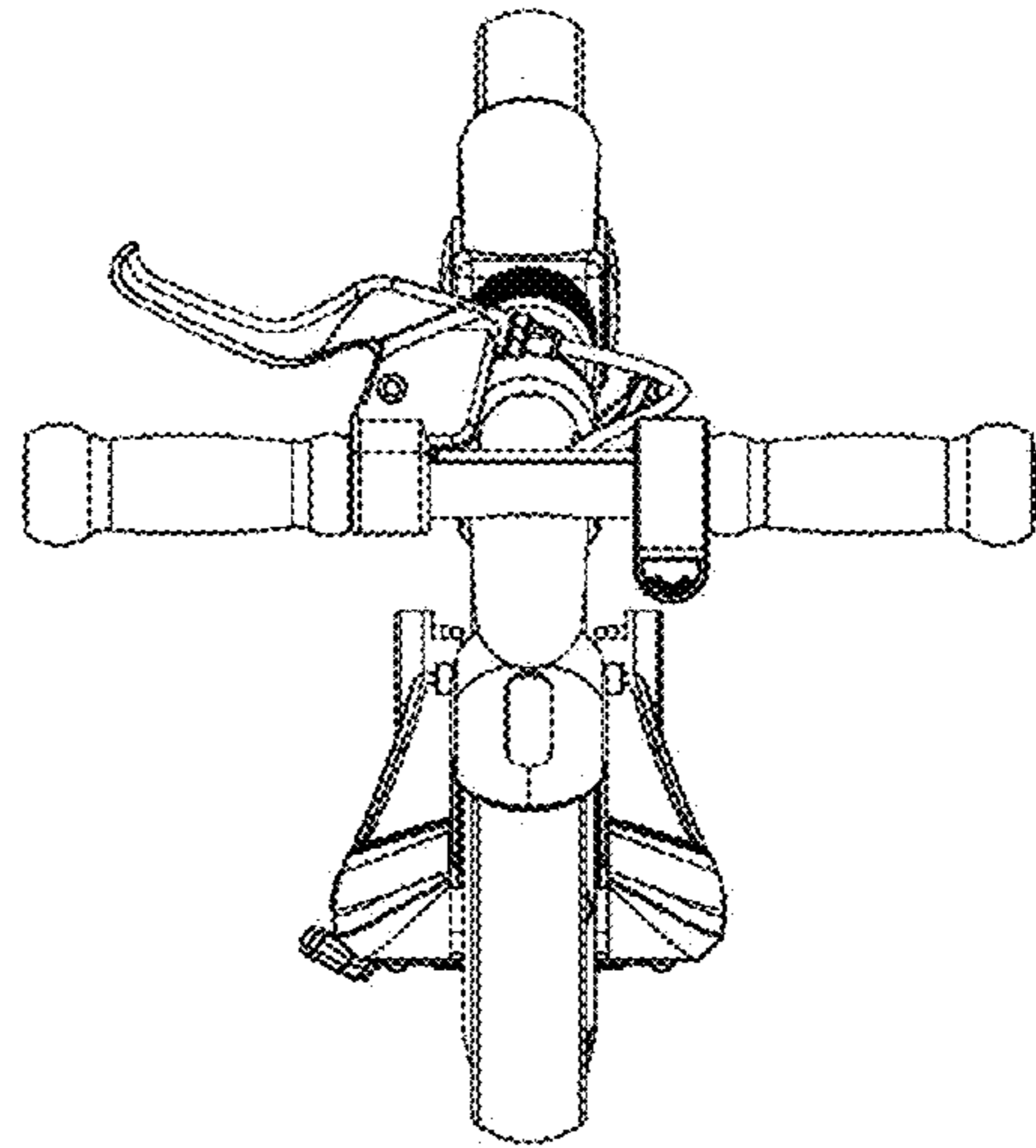
1.9



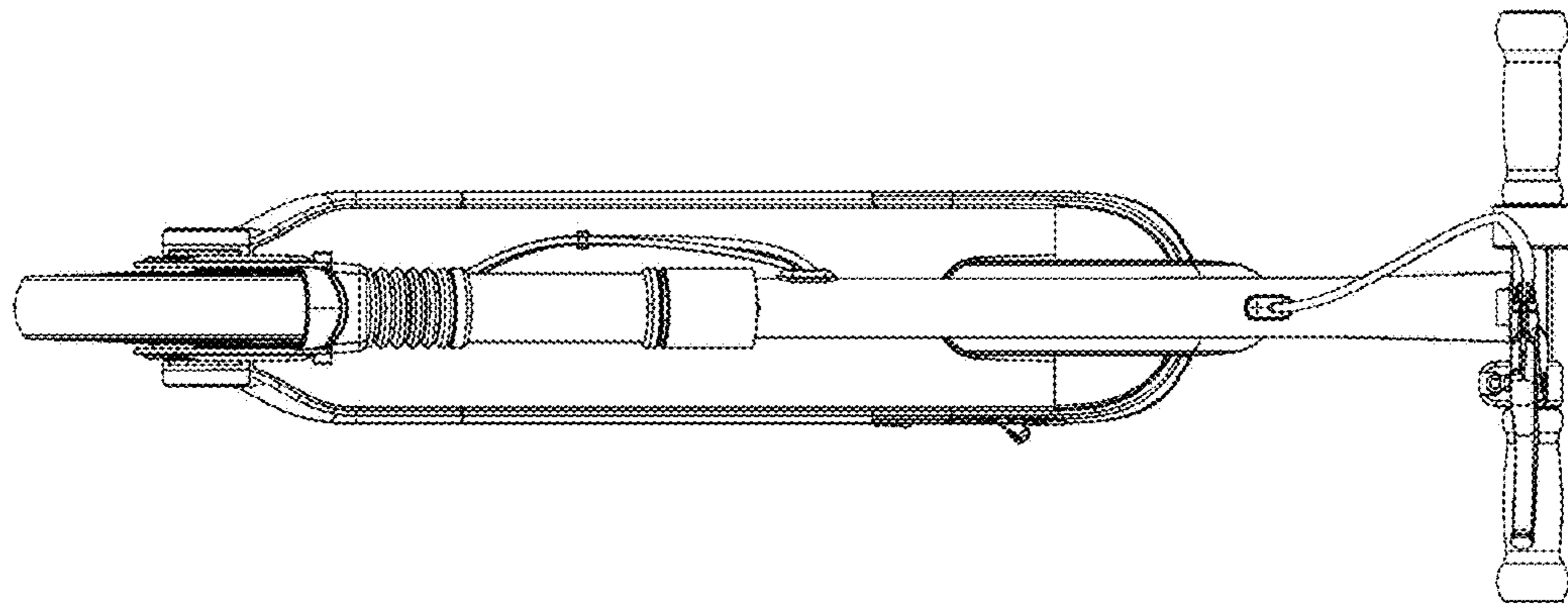
1.10



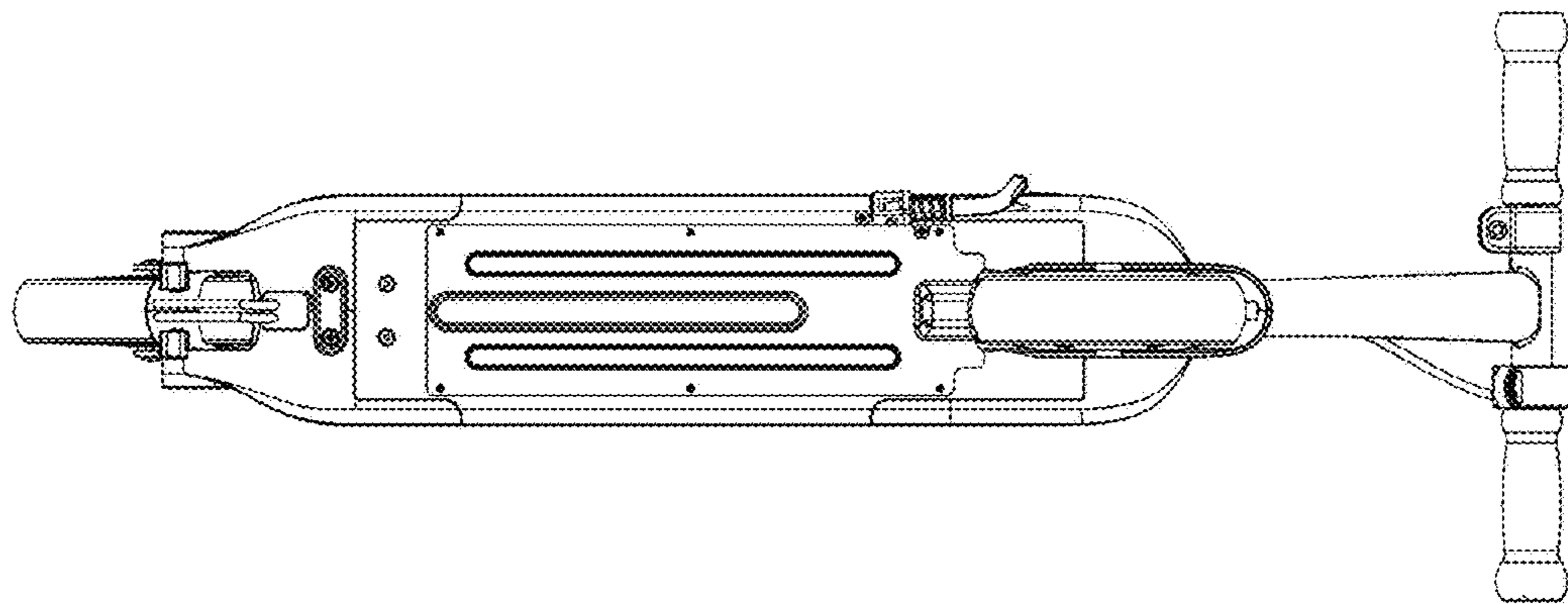
1.11



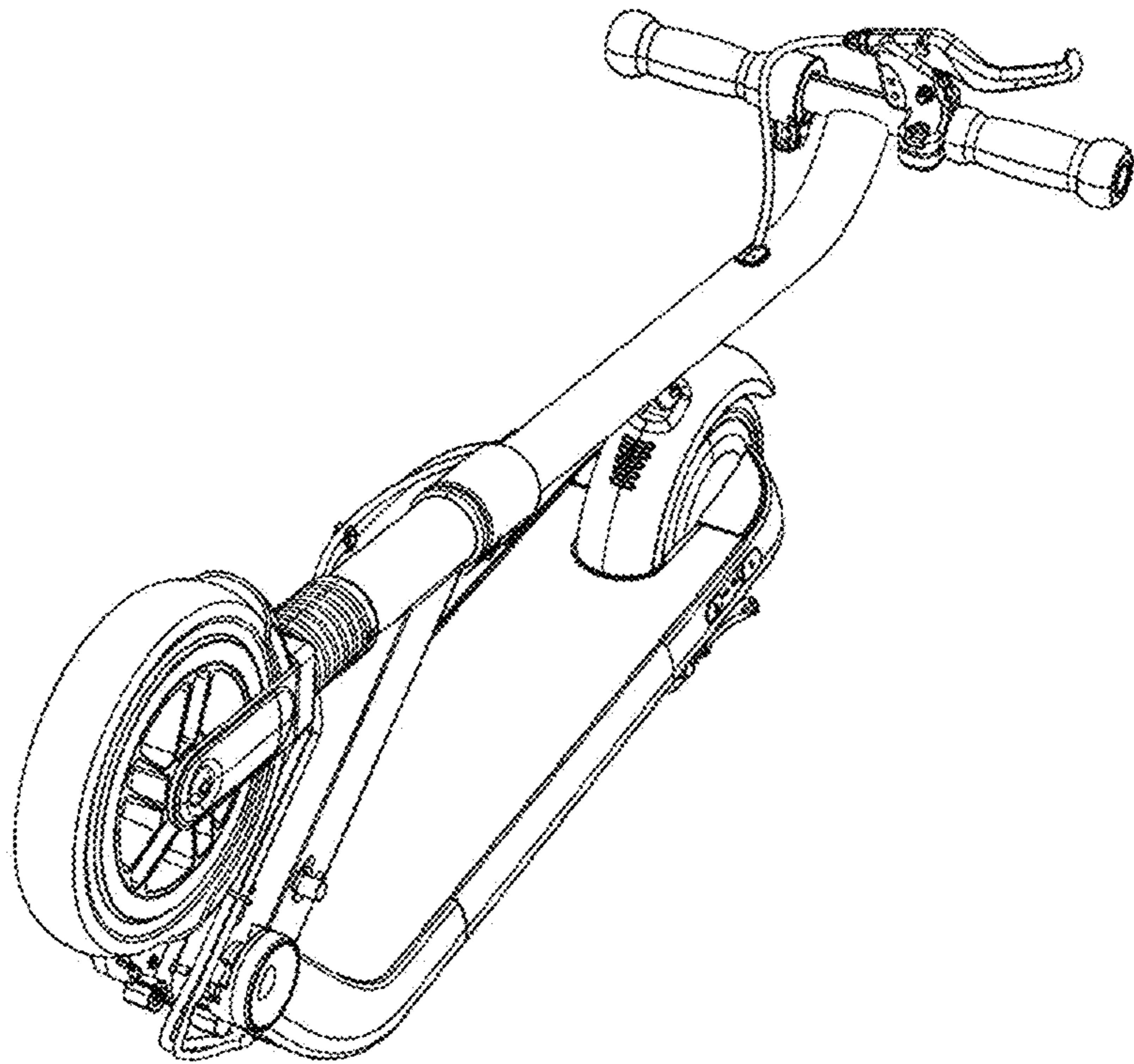
1.12



1.13



1.14



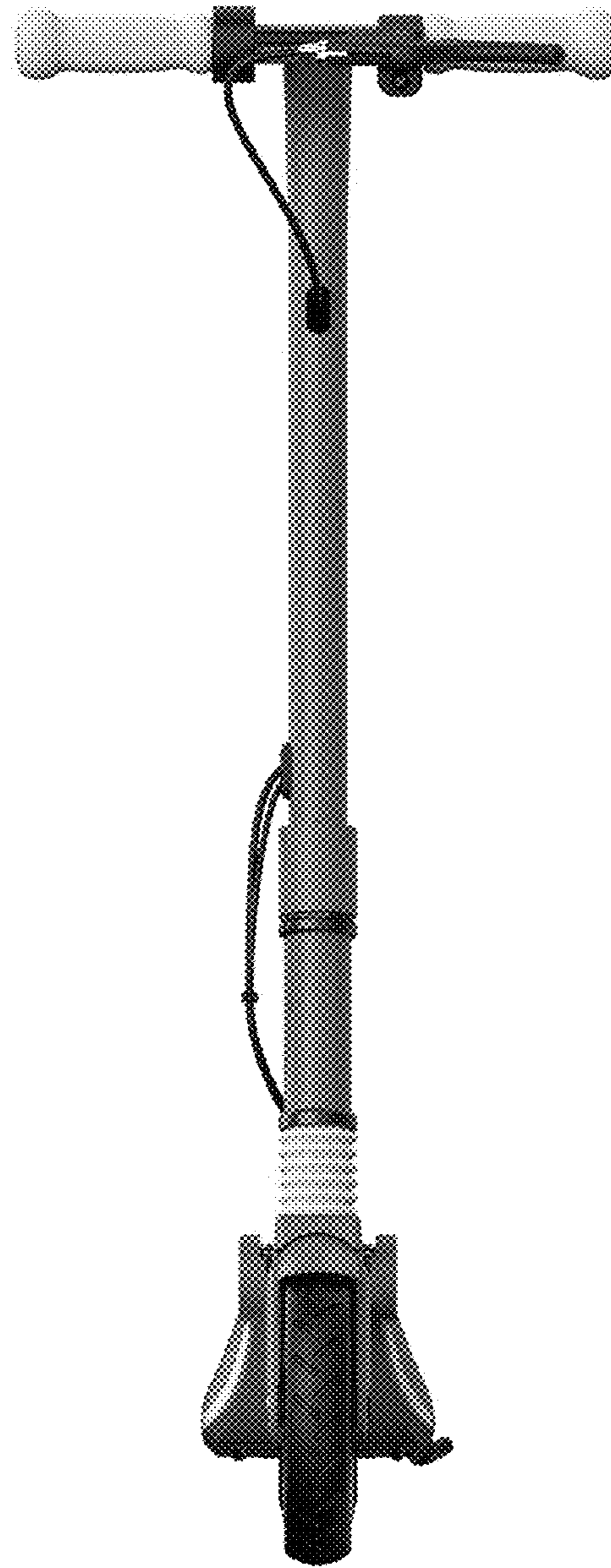
2.1



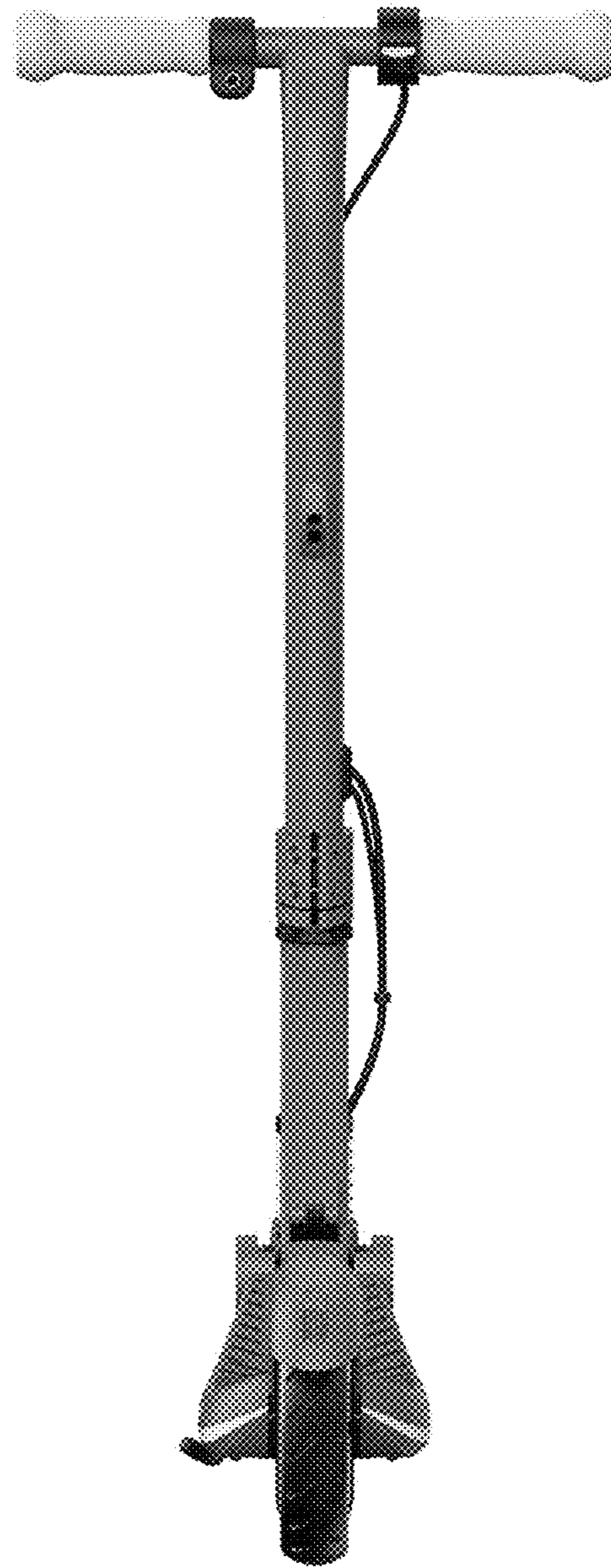
2.2



2.3



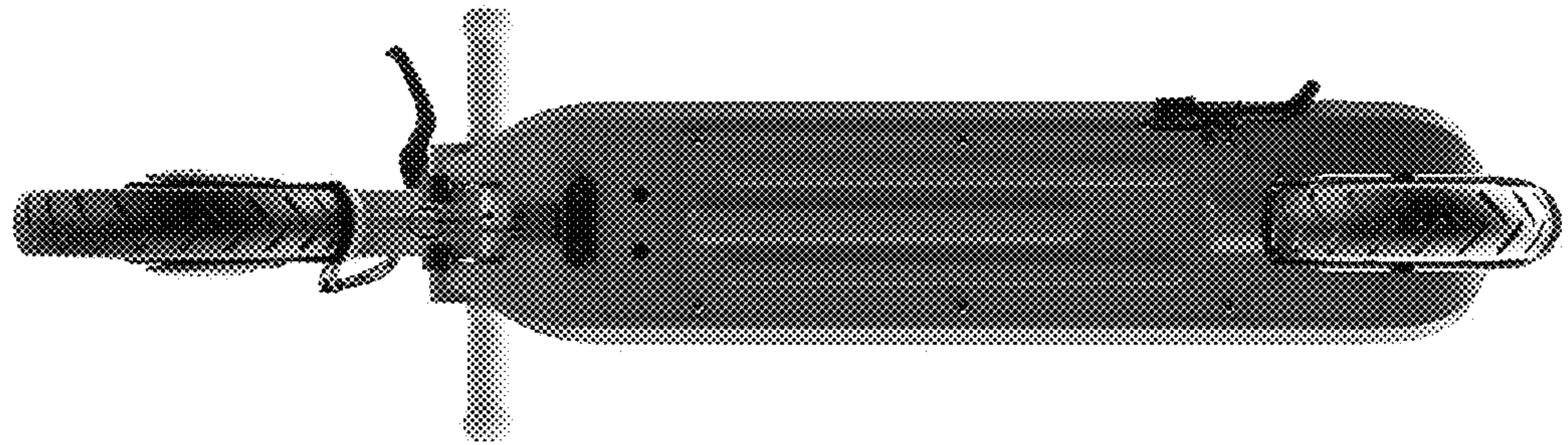
2.4



2.5



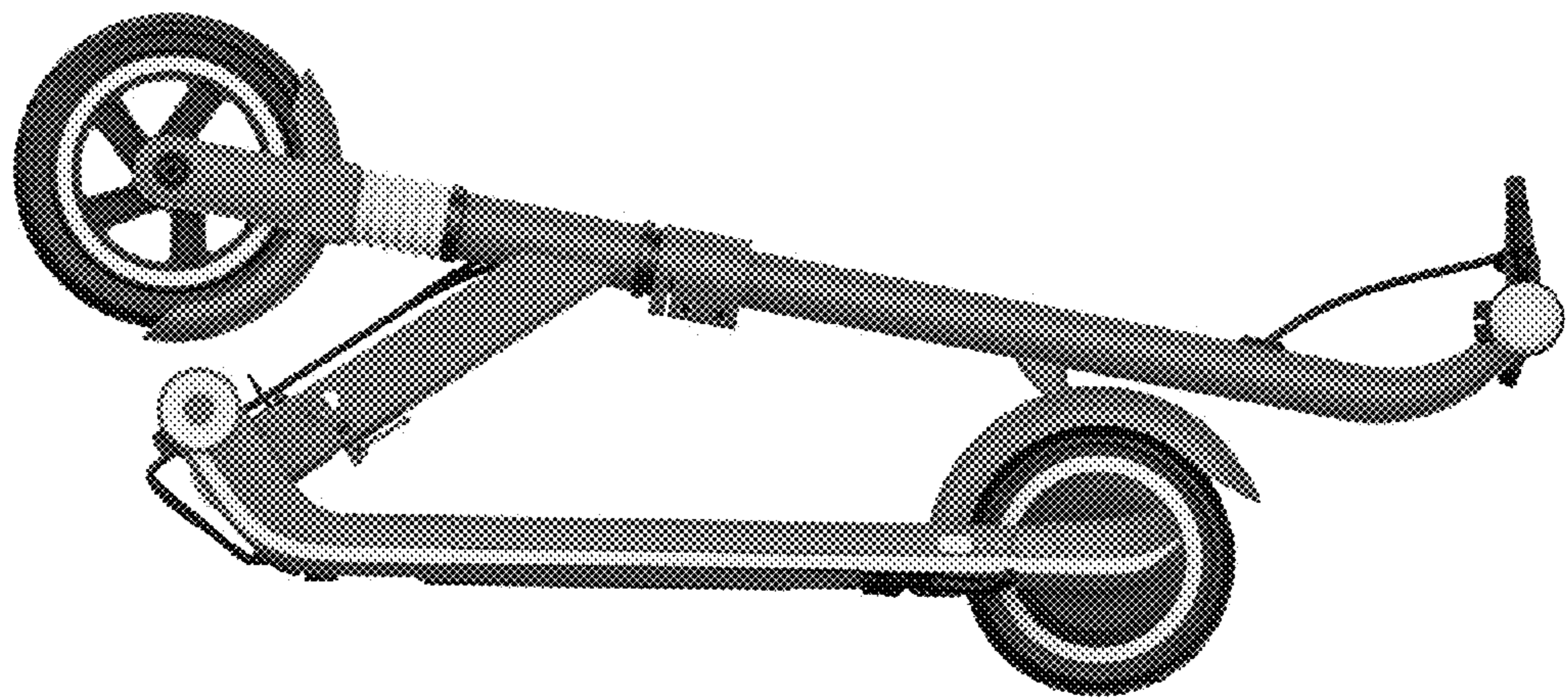
2.6



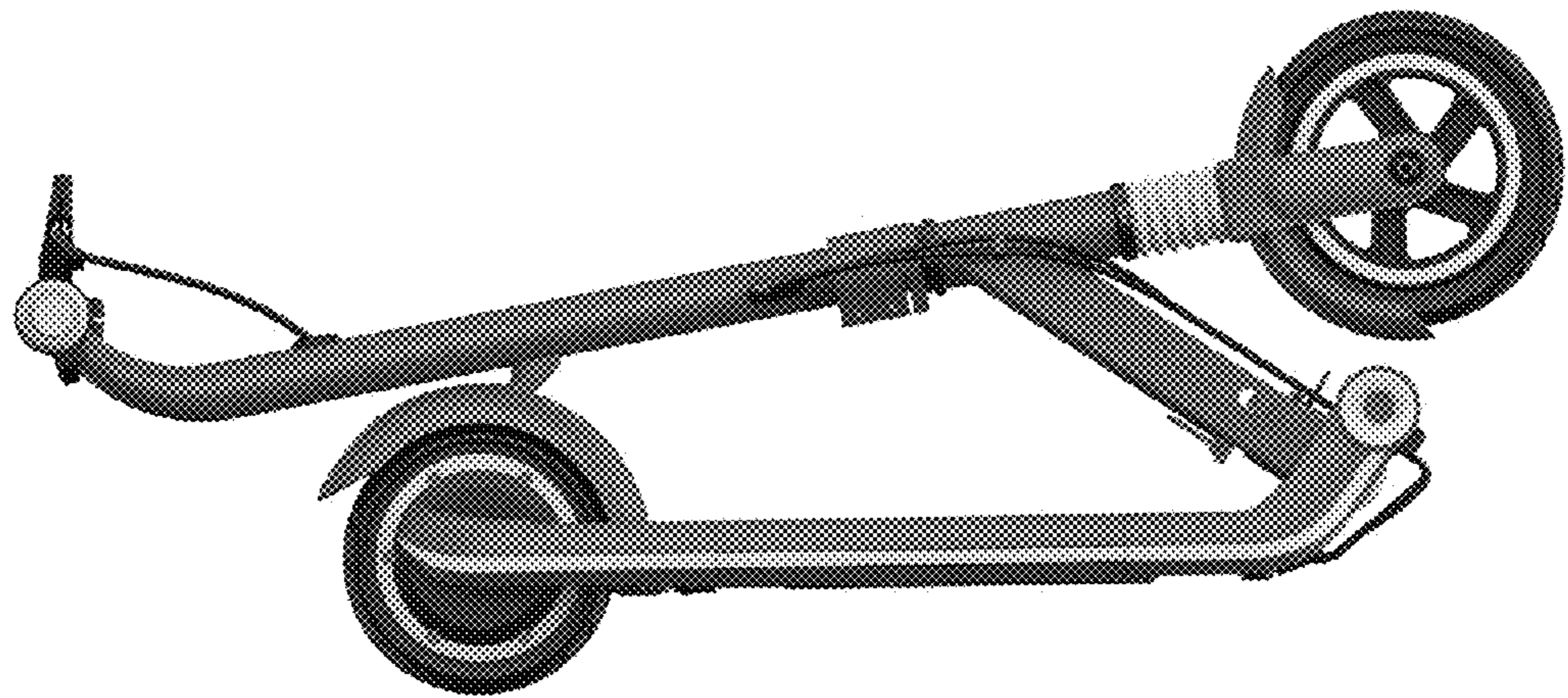
2.7



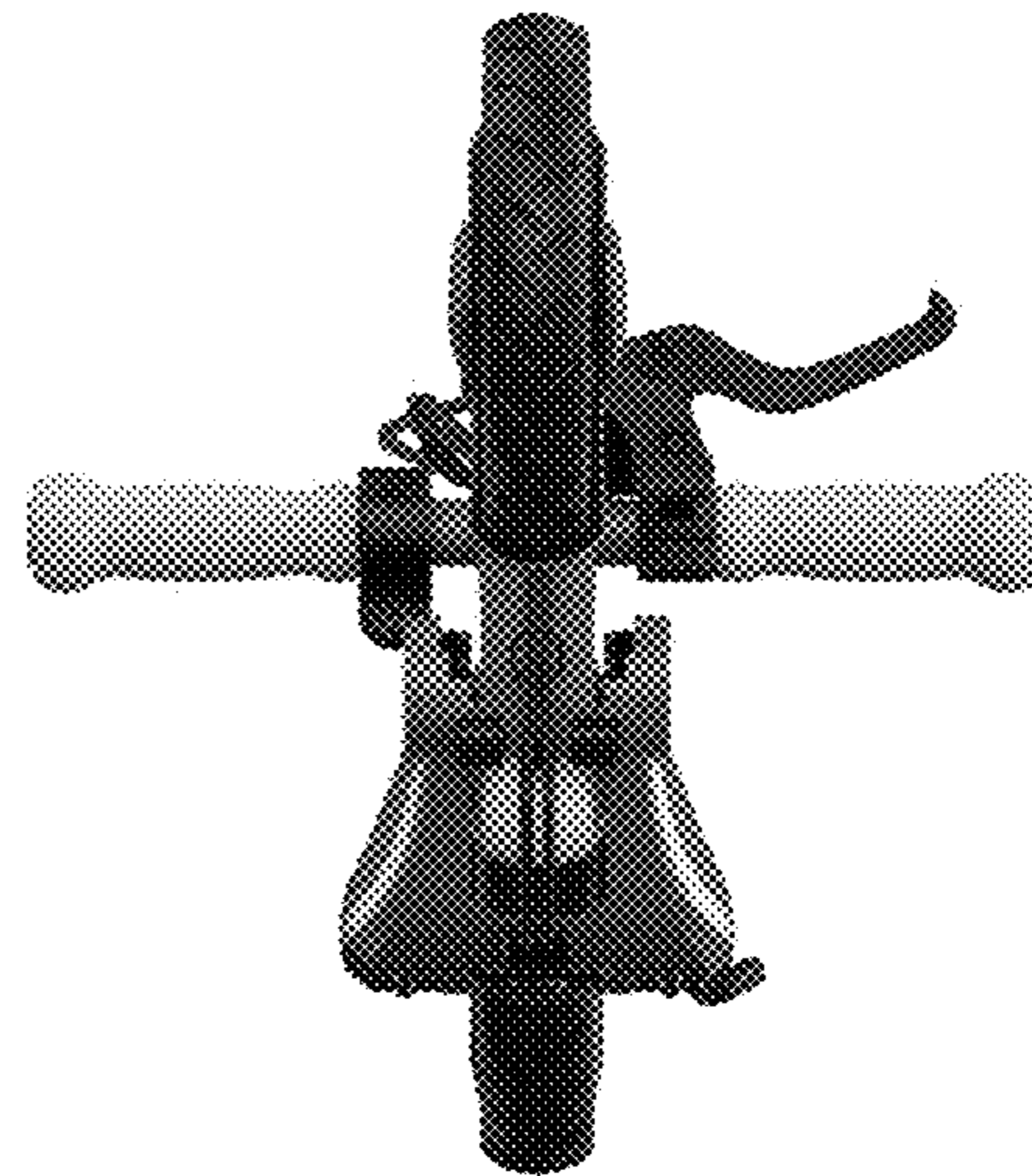
2.8



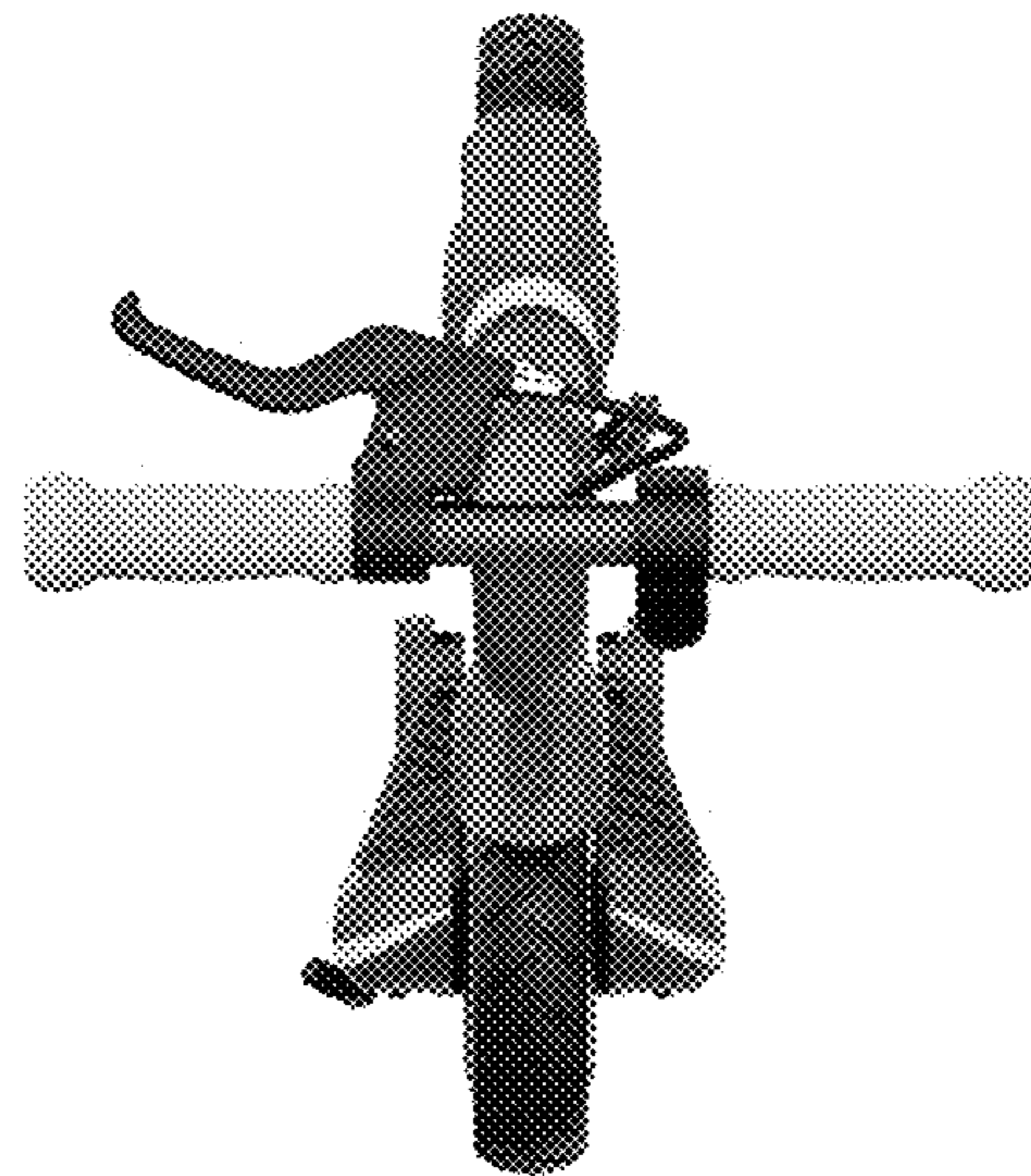
2.9



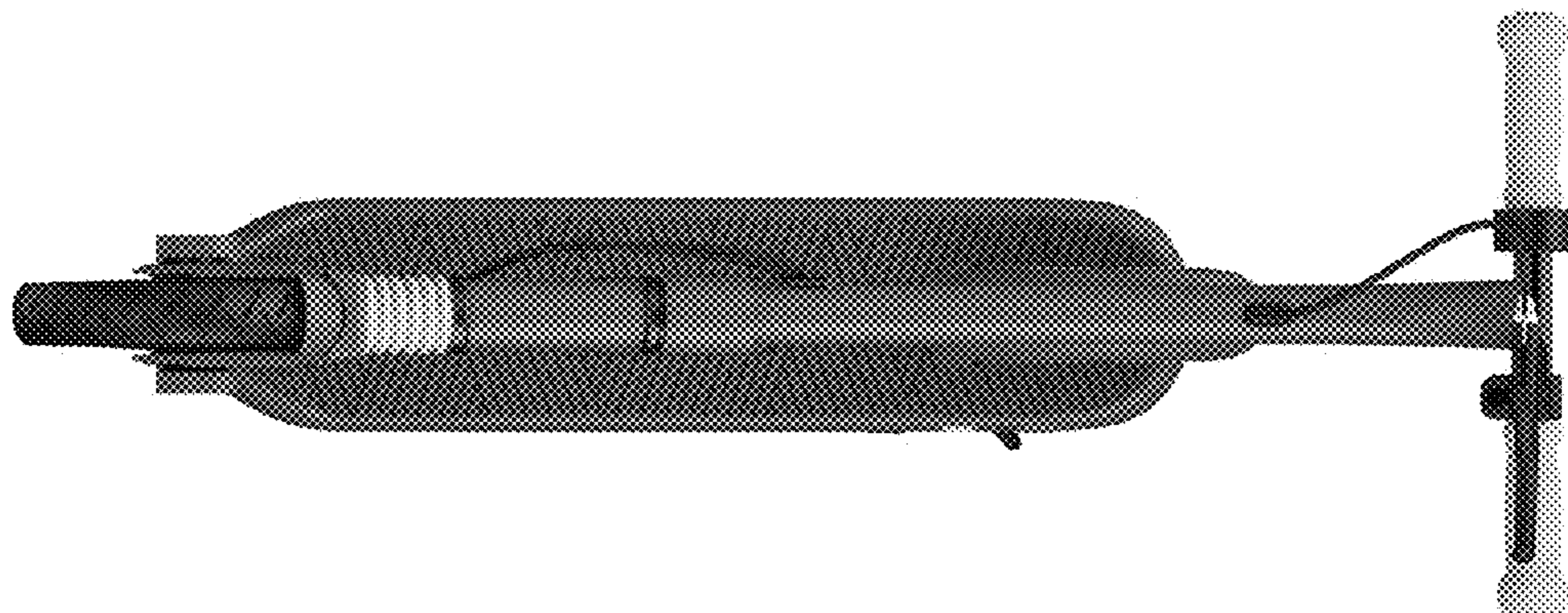
2.10



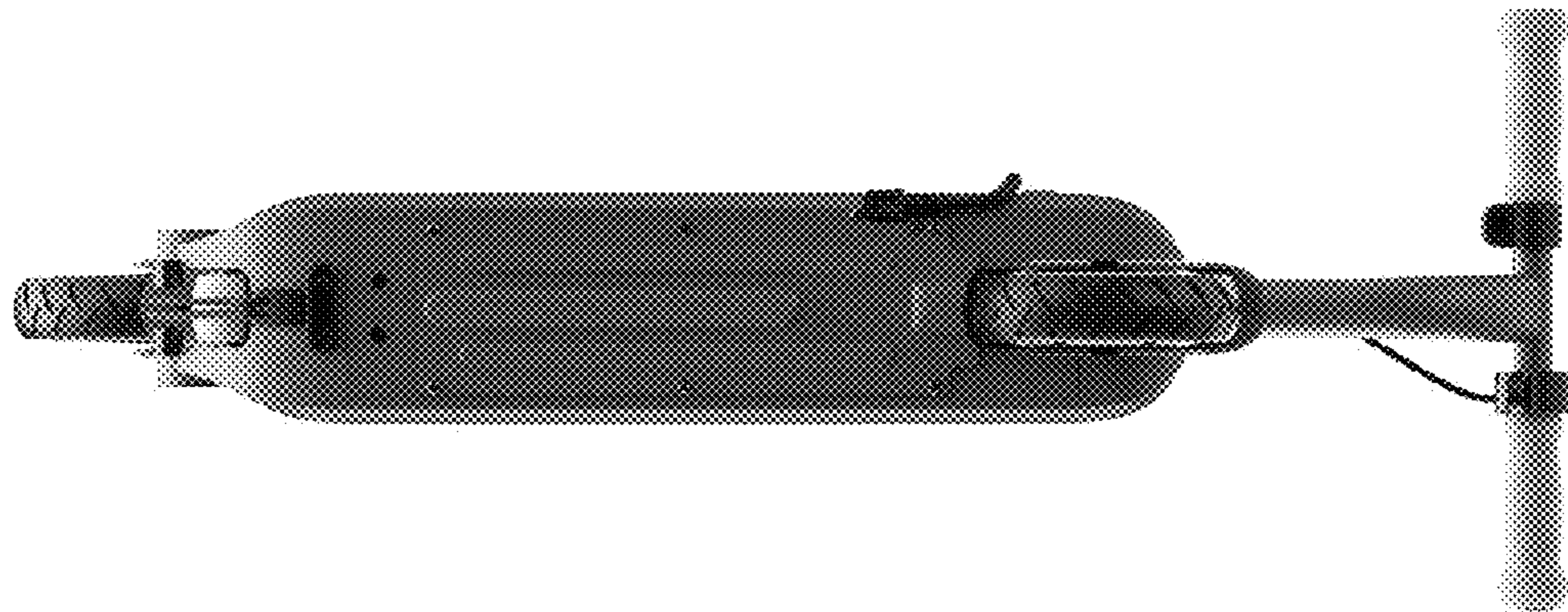
2.11



2.12



2.13



2.14

