



US00D943033S

(12) **United States Design Patent**
Peng et al.

(10) **Patent No.:** **US D943,033 S**

(45) **Date of Patent:** **** Feb. 8, 2022**

(54) **SCOOTER FRAME**

(71) Applicant: **NINEBOT (BEIJING) TECH. CO., LTD**, Beijing (CN)

(72) Inventors: **Bo Peng**, Beijing (CN); **Xing Liu**, Beijing (CN); **Lei Liu**, Beijing (CN)

(73) Assignee: **NINEBOT (BEIJING) TECH. CO., LTD**, Beijing (CN)

(**) Term: **15 Years**

(21) Appl. No.: **35/509,144**

(22) Filed: **Jan. 6, 2020**

(80) **Hague Agreement Data**

Int. Filing Date: **Jan. 6, 2020**

Int. Reg. No.: **DM/207164**

Int. Reg. Date: **Jan. 6, 2020**

Int. Reg. Pub. Date: **Apr. 24, 2020**

(30) **Foreign Application Priority Data**

Jul. 31, 2019 (CN) 201930414219.X

(51) **LOC (13) Cl.** **21-01**

(52) **U.S. Cl.**
USPC **D21/423**

(58) **Field of Classification Search**

USPC D21/419, 421, 423, 760, 765, 771;
D12/1, 8, 107, 110, 112, 113, 114

CPC B62K 3/002; B62K 9/00; B62K 2202/00;
B60Y 2200/126

See application file for complete search history.

(56) **References Cited**

U.S. PATENT DOCUMENTS

D623,701 S * 9/2010 Dalgaard D21/423

D623,702 S * 9/2010 Dalgaard D21/423

D623,703 S * 9/2010 Dalgaard D21/423
D756,465 S * 5/2016 Byrne D21/423
D767,689 S * 9/2016 Výkruta D21/423
9,660,500 B2 * 5/2017 Huang B60K 17/046
D804,581 S * 12/2017 Schindele D21/423
D827,036 S * 8/2018 Sebban D21/423
D831,123 S * 10/2018 Porteiro D21/423
D835,206 S * 12/2018 Lin D21/423
D839,358 S * 1/2019 Cao D21/423
D849,151 S * 5/2019 Avena D21/423
D849,153 S * 5/2019 Zhang D21/423
D855,115 S * 7/2019 Yan D21/423
D886,907 S * 6/2020 Gao D21/423
D890,852 S * 7/2020 Yang D21/423
10,709,960 B2 * 7/2020 Huang A63C 17/016
D892,937 S * 8/2020 Chis D21/423
D897,446 S * 9/2020 Lee D21/423
D899,425 S * 10/2020 Sauvageot D21/423
D900,237 S * 10/2020 Lee D21/423
D903,002 S * 11/2020 Wang D21/423
D905,794 S * 12/2020 Liu D21/423

(Continued)

Primary Examiner — Darlington Ly

(74) *Attorney, Agent, or Firm* — Polson Intellectual Property Law, PC; Margaret Polson

(57) **CLAIM**

The ornamental design for a scooter frame, as shown and described.

DESCRIPTION

1. Scooter frame

1.1 is a front elevation view of a scooter frame embodying our new design;

1.2 is a rear elevation view thereof;

1.3 is a left side elevation view thereof;

1.4 is a right side elevation view thereof;

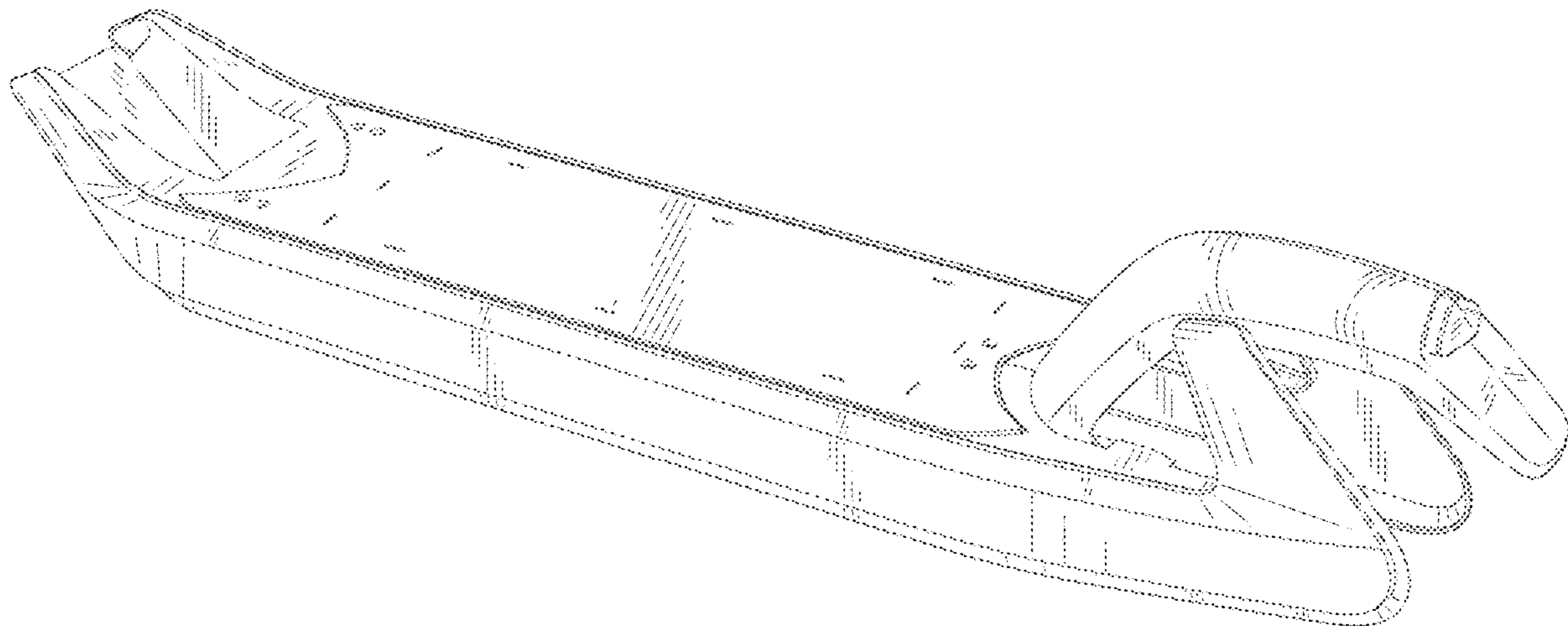
1.5 is a top plan view thereof;

1.6 is a bottom plan view thereof; and,

1.7 is a front and right side perspective view thereof.

The broken lines shown in the drawings illustrate portions of the scooter frame that form no part of the claimed design.

1 Claim, 7 Drawing Sheets



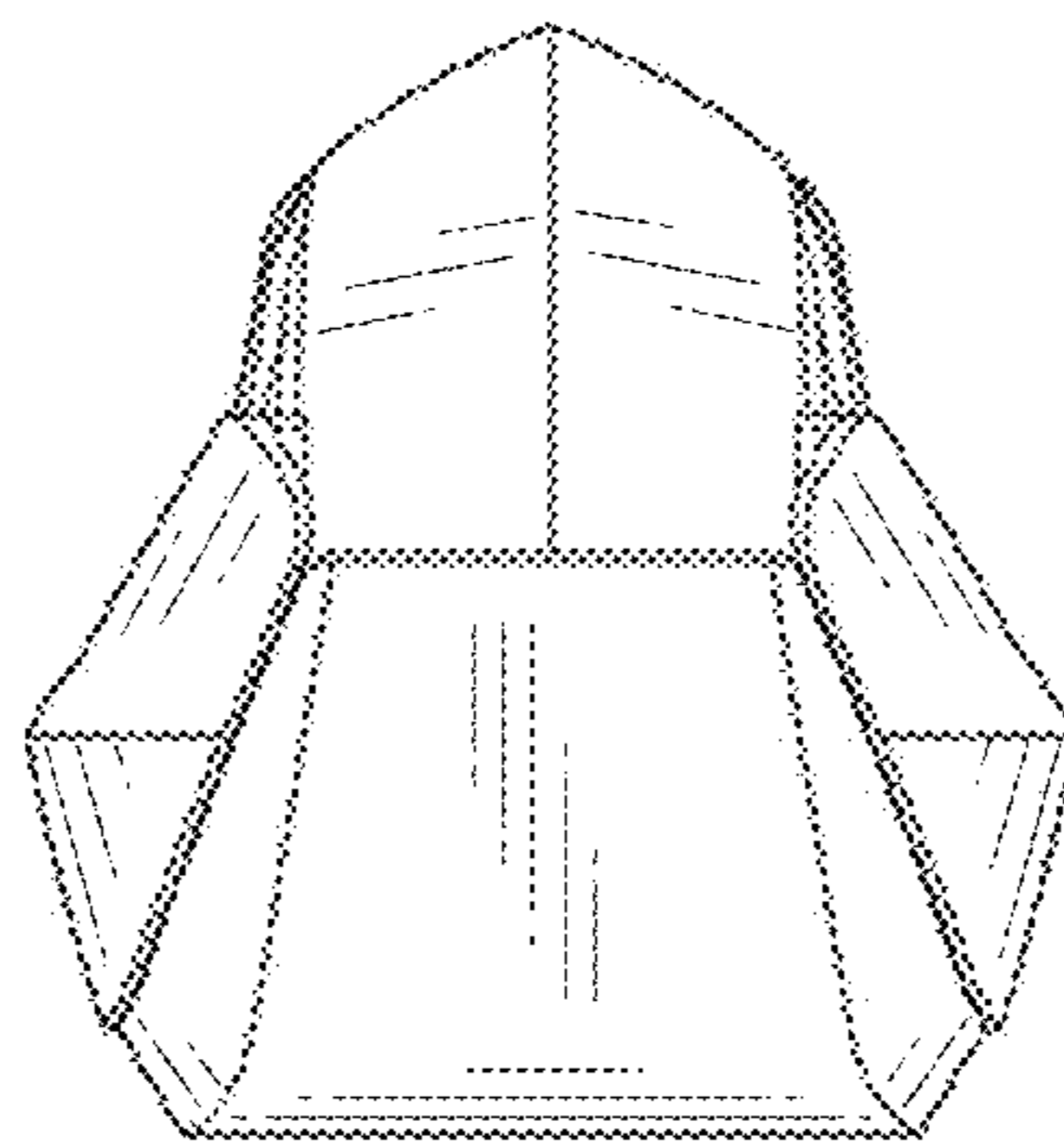
(56)

References Cited

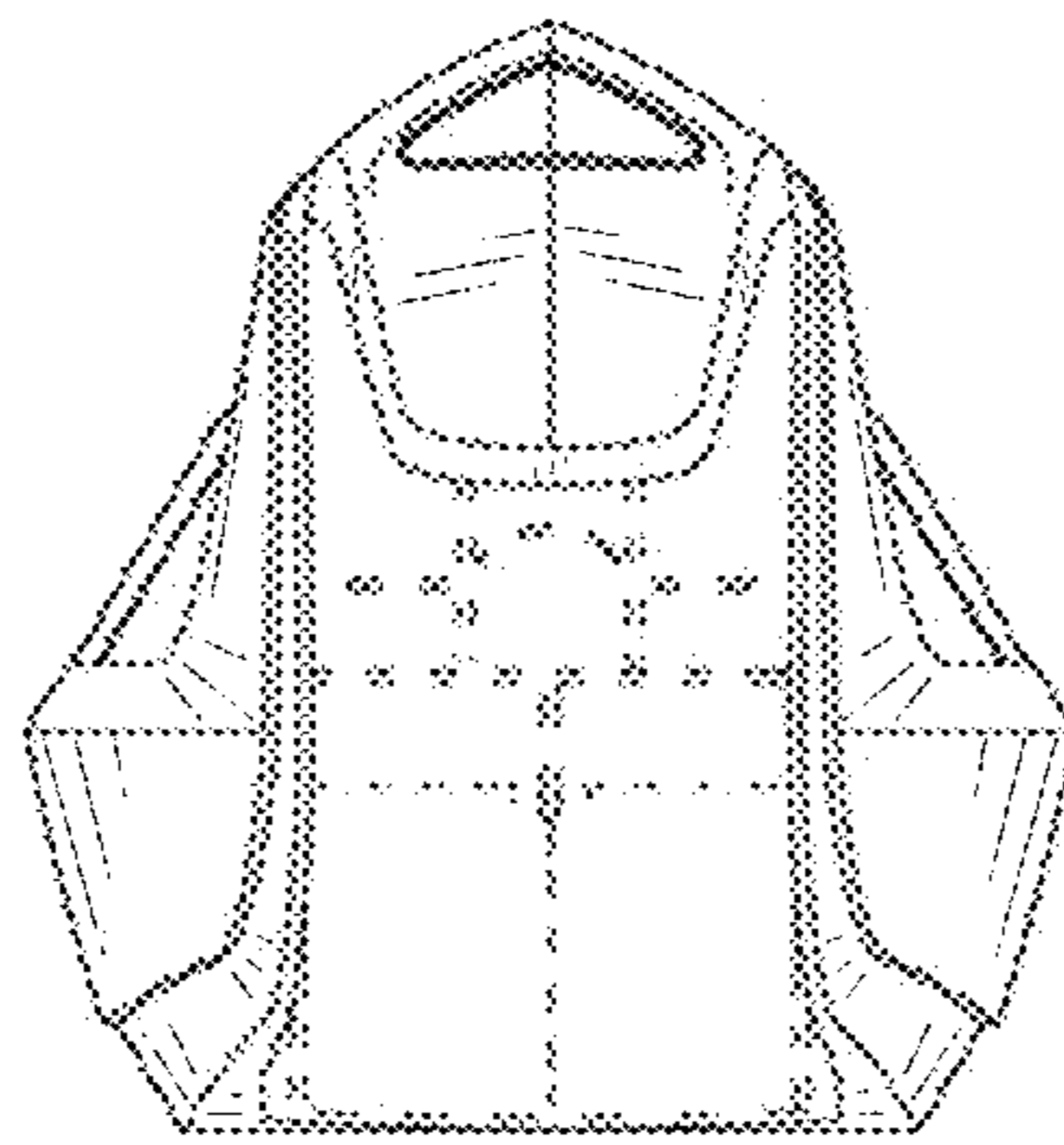
U.S. PATENT DOCUMENTS

D910,766	S	*	2/2021	Hadley	D21/423
D911,454	S	*	2/2021	Yang	D21/423
D911,456	S	*	2/2021	Yu	D21/423
D911,457	S	*	2/2021	Yu	D21/423
D912,159	S	*	3/2021	Lee	D21/423
D912,736	S	*	3/2021	Lee	D21/423
D915,524	S	*	4/2021	Cao	D21/423
2018/0257733	A1	*	9/2018	Ko	B62K 21/16
2019/0263468	A1	*	8/2019	Huang	B60K 17/26
2020/0283086	A1	*	9/2020	Ulmen	B62L 1/00

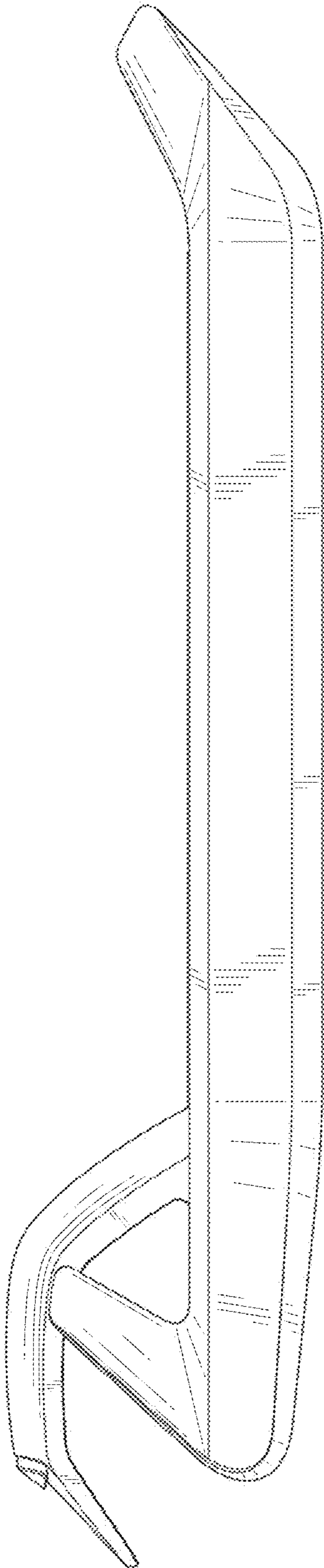
* cited by examiner



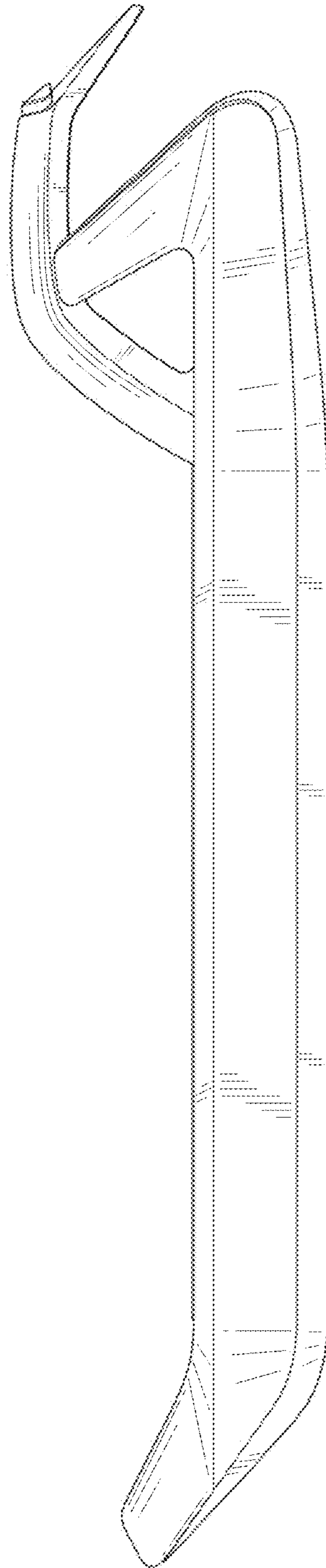
1.1



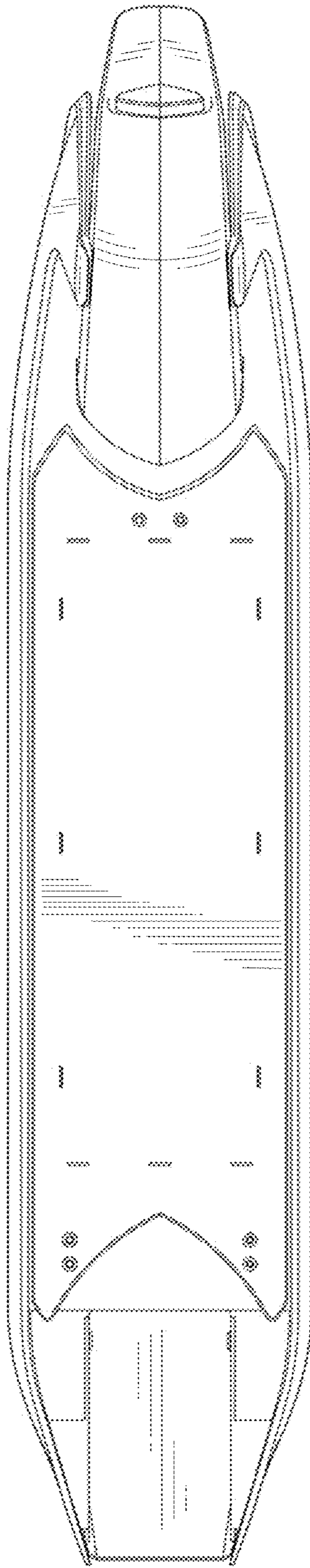
1.2



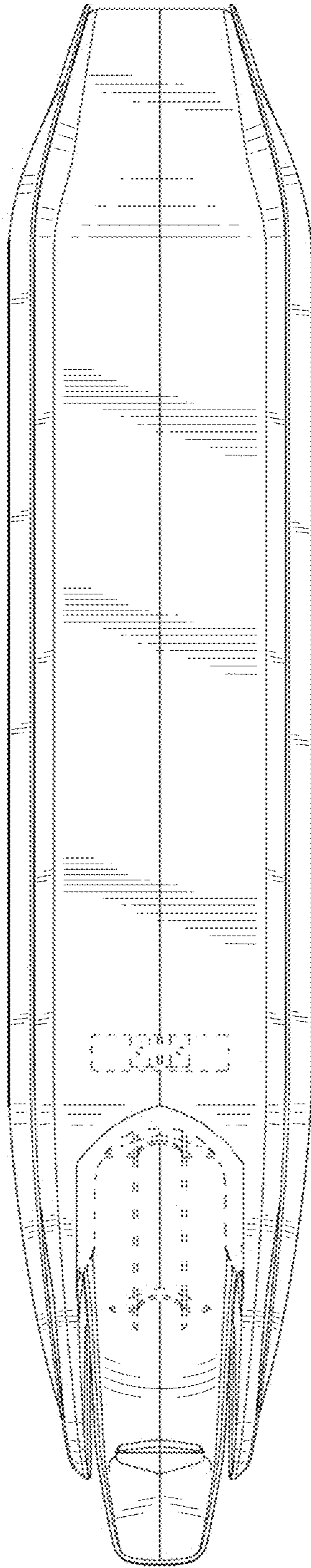
1.3



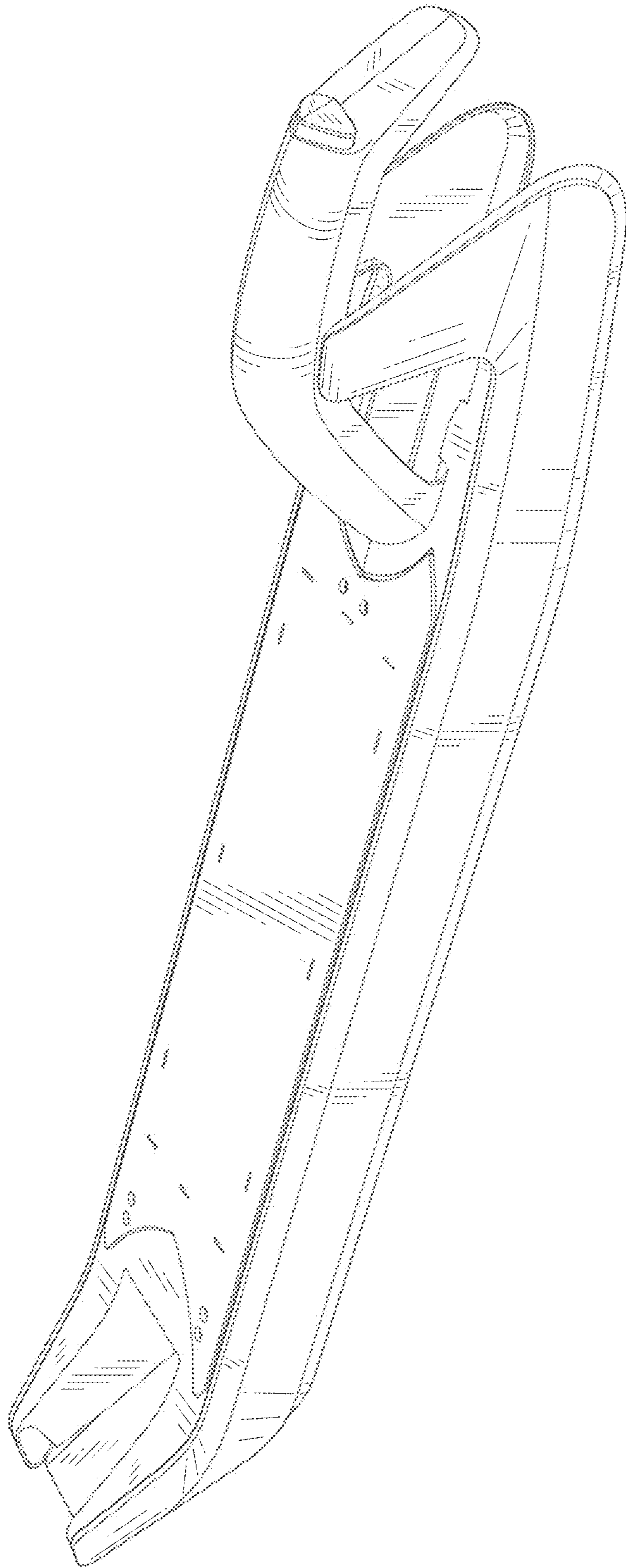
1.4



1.5



1.6



1.7