



US00D943030S

(12) **United States Design Patent**
Chen

(10) **Patent No.:** **US D943,030 S**

(45) **Date of Patent:** **** Feb. 8, 2022**

- (54) **ELECTRIC FOLDING SCOOTER**
- (71) Applicant: **SHENZHEN RIDETECH ELECTRONICS CO., LTD**, Shenzhen (CN)
- (72) Inventor: **Guoming Chen**, Shenzhen (CN)
- (73) Assignee: **SHENZHEN RIDETECH ELECTRONICS CO., LTD**, Shenzhen (CN)

| | | | | |
|-------------------|---------|-------|-------|-----------|
| D849,153 S * | 5/2019 | Zhang | | D21/423 |
| D858,647 S * | 9/2019 | Liu | | D21/423 |
| D872,191 S * | 1/2020 | Lee | | D21/423 |
| D886,907 S * | 6/2020 | Gao | | D21/423 |
| D897,446 S * | 9/2020 | Lee | | D21/423 |
| D900,237 S * | 10/2020 | Lee | | D21/423 |
| D905,793 S * | 12/2020 | Yang | | D21/423 |
| D905,794 S * | 12/2020 | Liu | | D21/423 |
| 2020/0283086 A1 * | 9/2020 | Ulmen | | B62M 6/65 |

* cited by examiner

Primary Examiner — Cynthia M. Chin

- (**) Term: **15 Years**
- (21) Appl. No.: **29/715,188**
- (22) Filed: **Nov. 28, 2019**
- (51) **LOC (13) Cl.** **21-01**
- (52) **U.S. Cl.**
USPC **D21/423**
- (58) **Field of Classification Search**
USPC D21/419, 421, 423, 432, 435, 760, 763, D21/765, 771; D12/1, 110
CPC B62K 3/002; B62K 9/00; B62K 2202/00; B62K 15/00; B62K 2015/001; B62K 2015/003; B60Y 2200/126
See application file for complete search history.

(56) **References Cited**
U.S. PATENT DOCUMENTS

| | | | | |
|--------------|---------|-----|-------|---------|
| D829,826 S * | 10/2018 | Liu | | D21/423 |
| D834,097 S * | 11/2018 | Lin | | D21/423 |

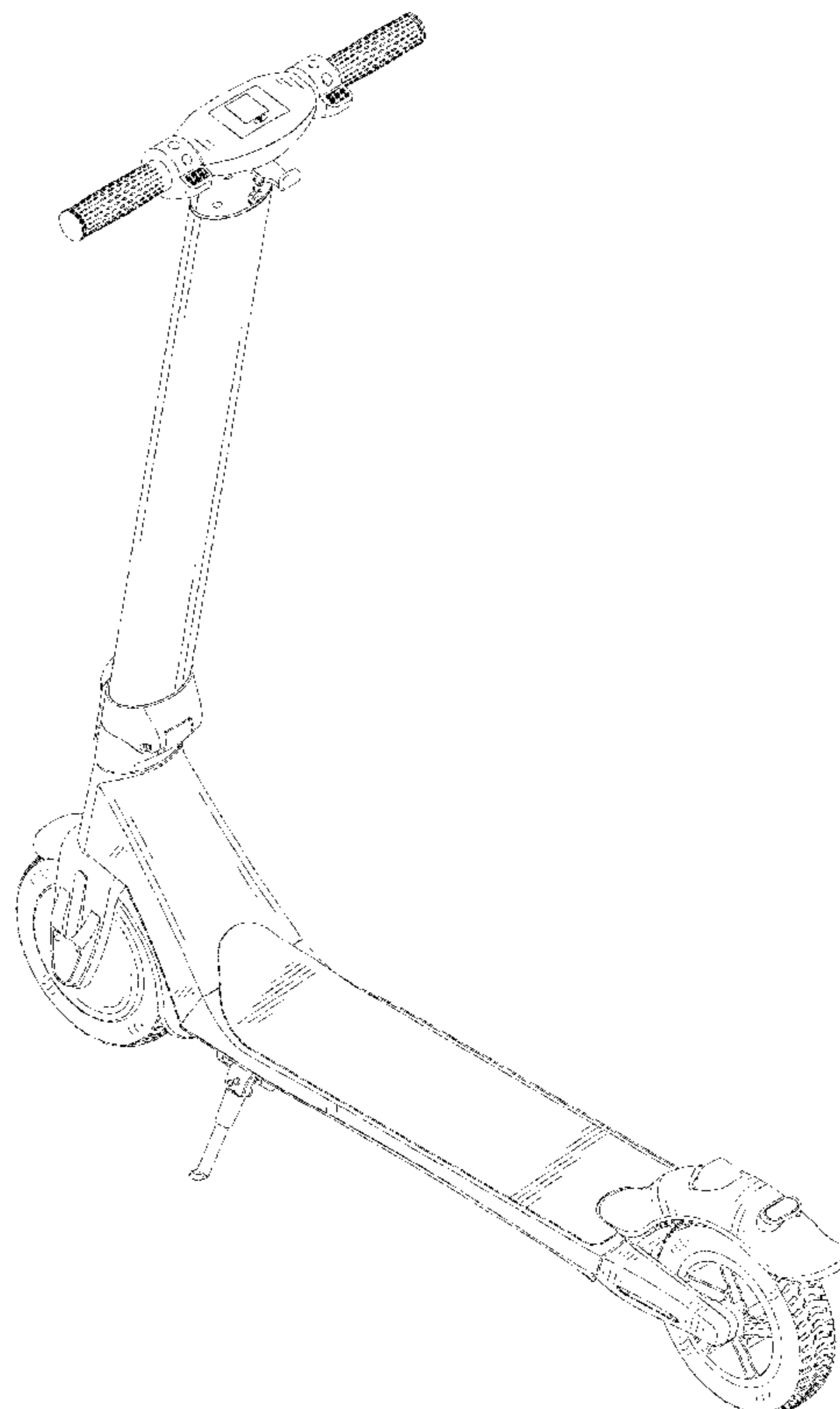
(57) **CLAIM**

The ornamental design for an “electric folding scooter”, as shown and described.

DESCRIPTION

FIG. 1 is a front, top and right side perspective view of an electric folding scooter, showing my new design;
 FIG. 2 is a front view thereof;
 FIG. 3 is a rear view thereof;
 FIG. 4 is a left side view thereof;
 FIG. 5 is a right side view thereof;
 FIG. 6 is a top plan view thereof; and,
 FIG. 7 is a bottom plan view thereof.
 The broken lines are for the purpose of illustrating portions of the article that form no part of the claimed design.

1 Claim, 7 Drawing Sheets



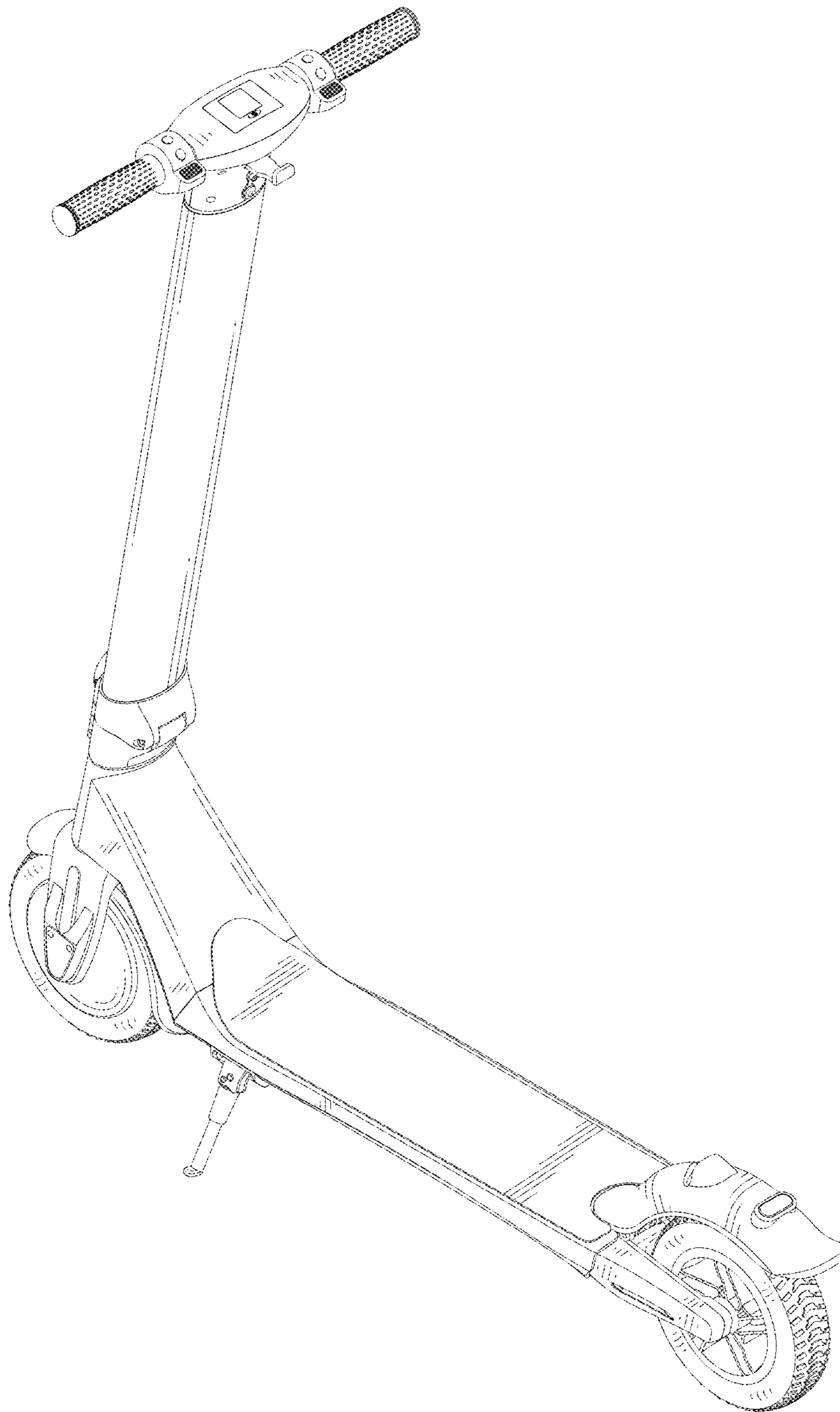


FIG. 1

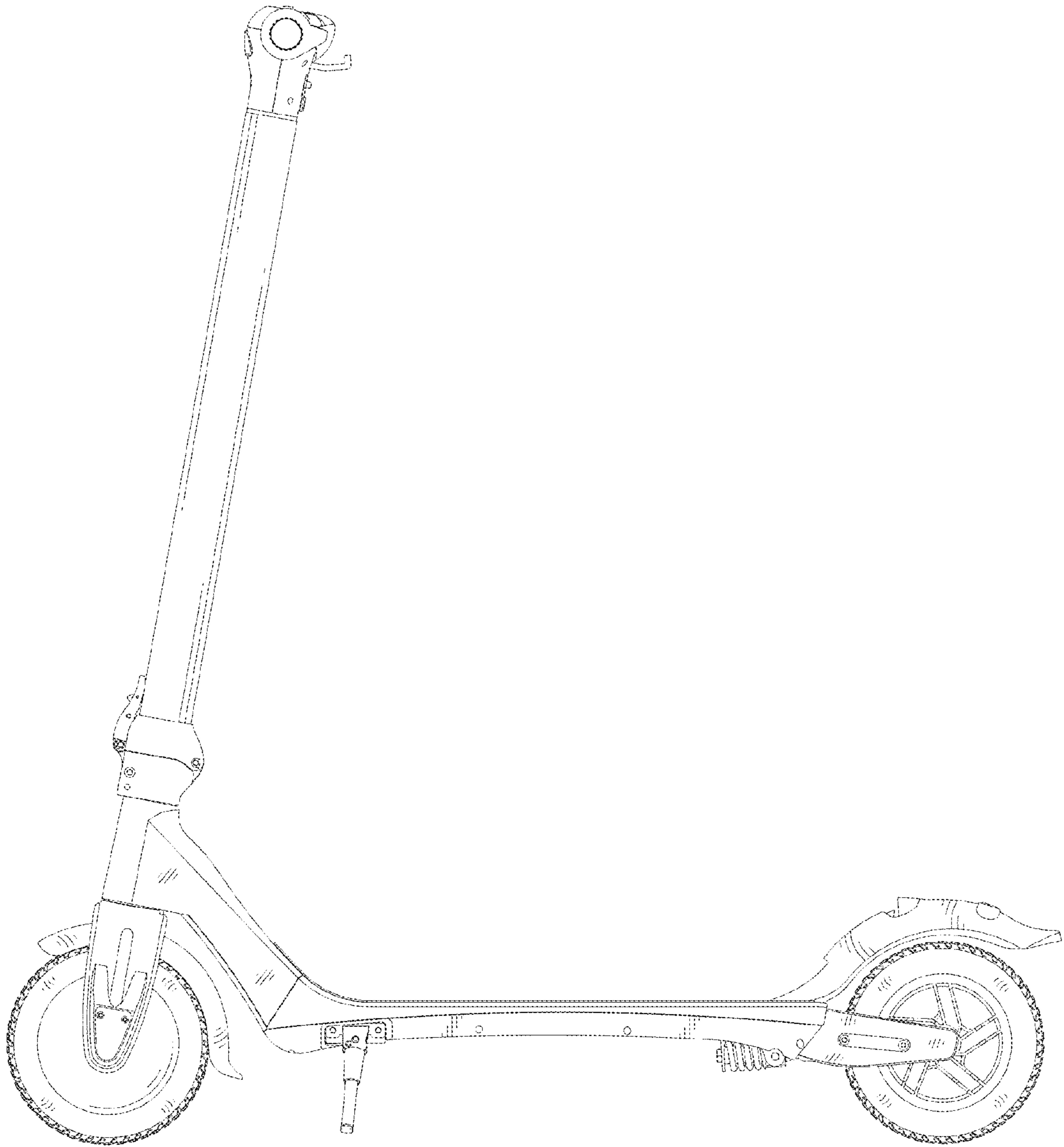


FIG. 2

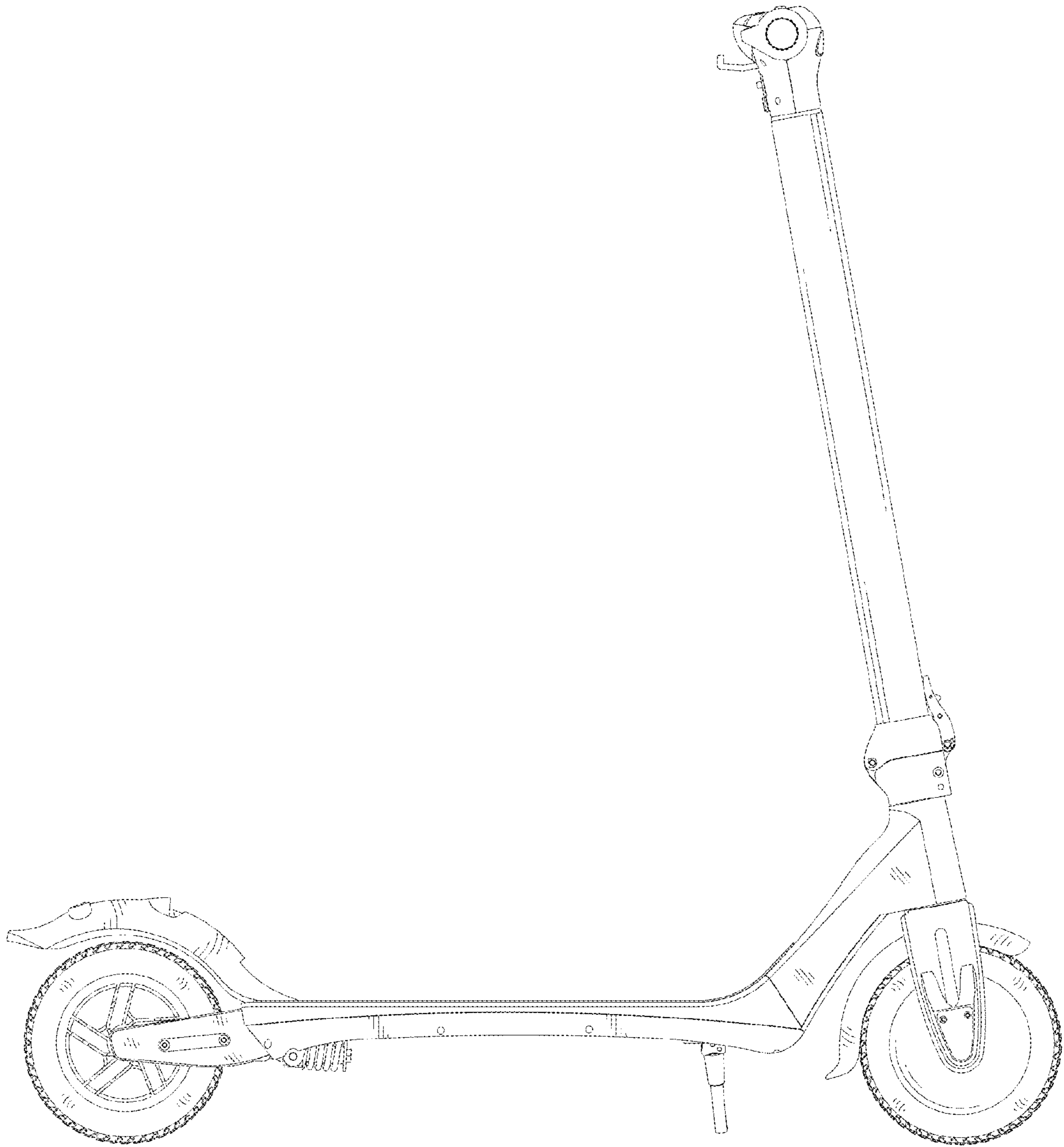


FIG. 3

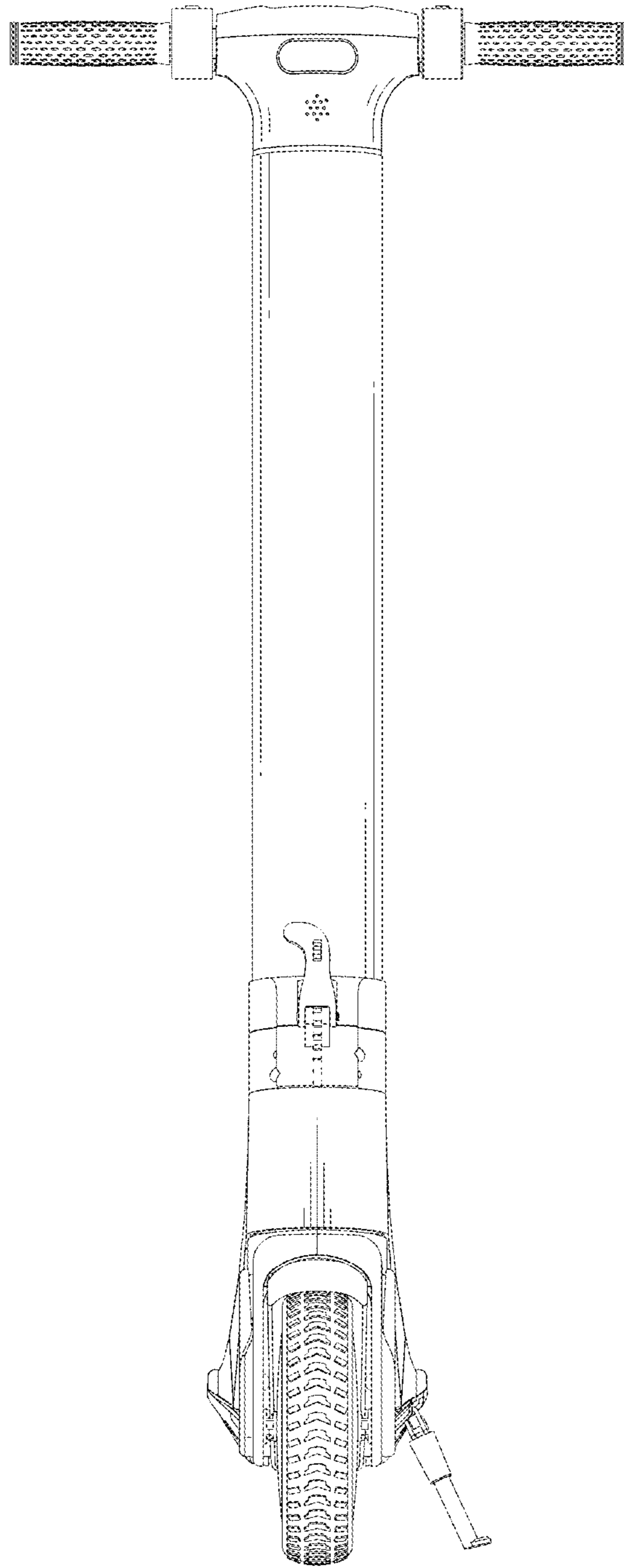


FIG. 4

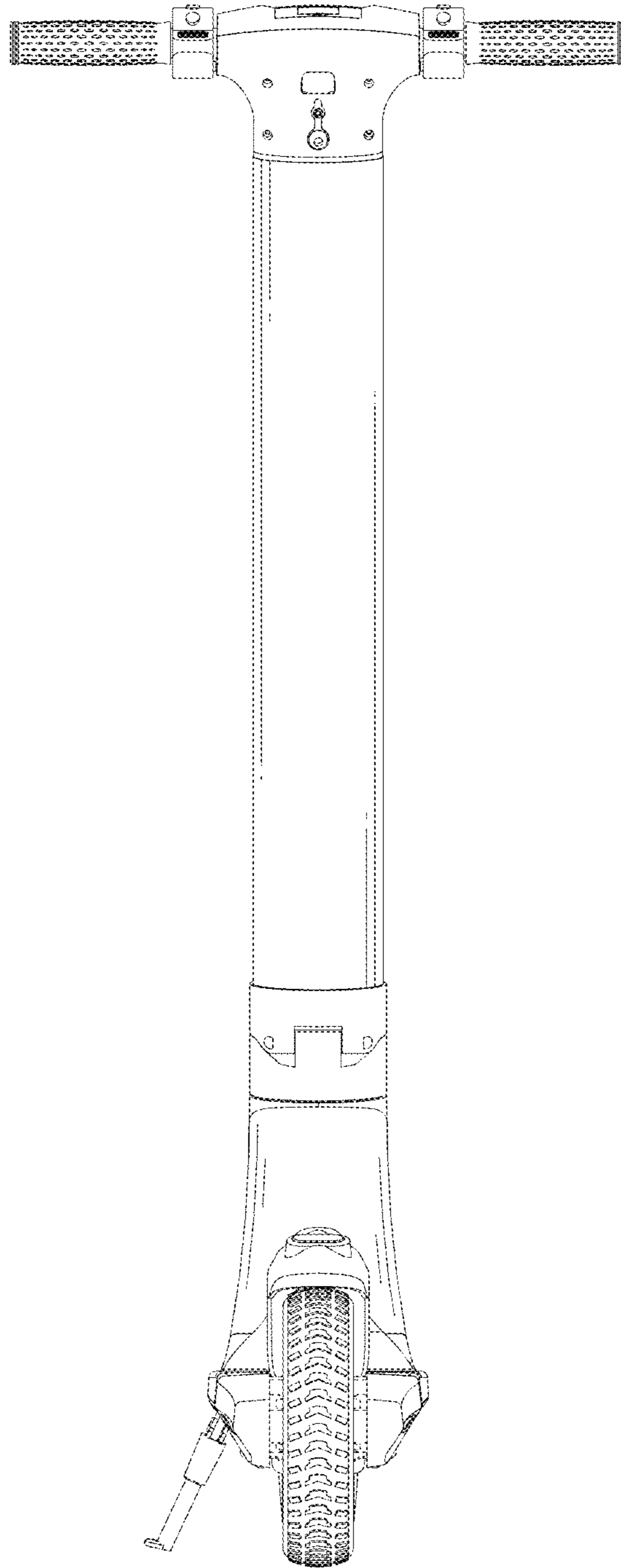


FIG. 5

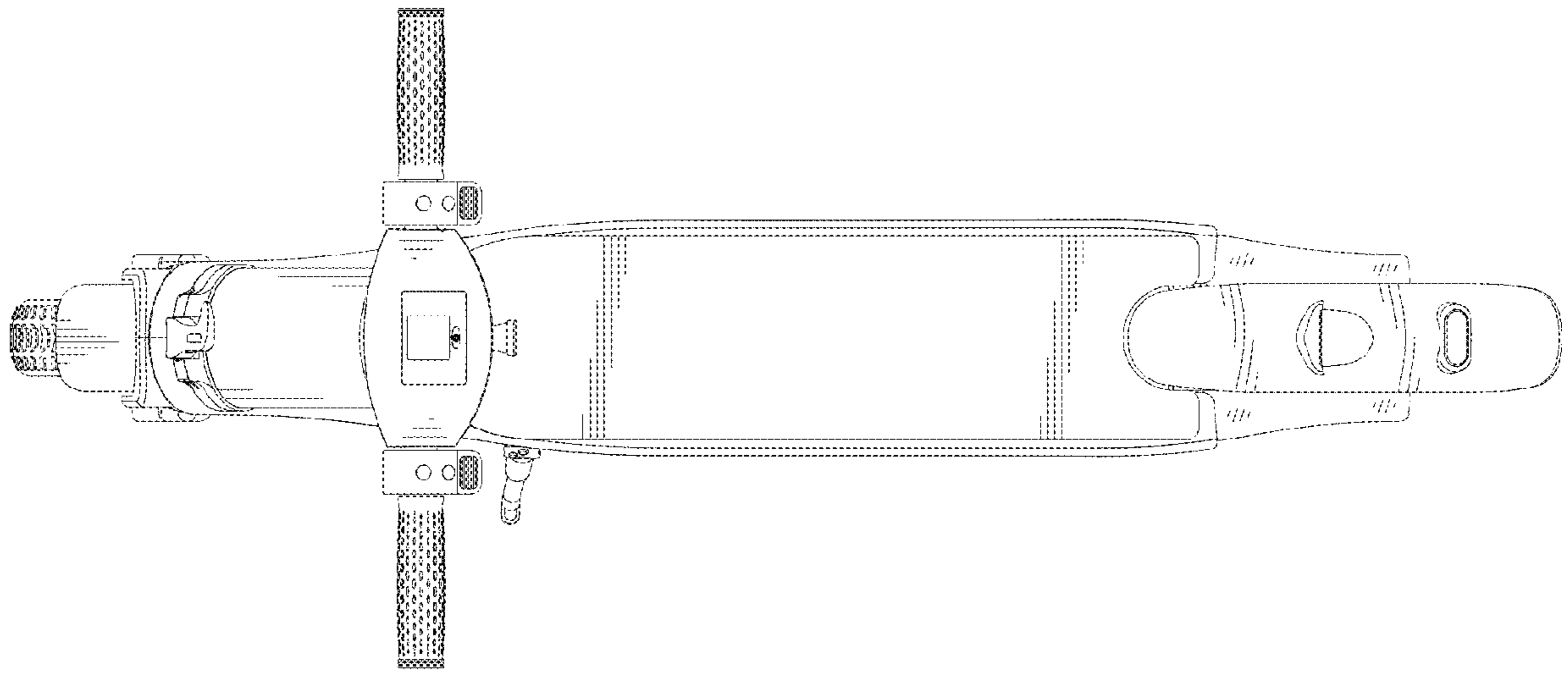


FIG. 6

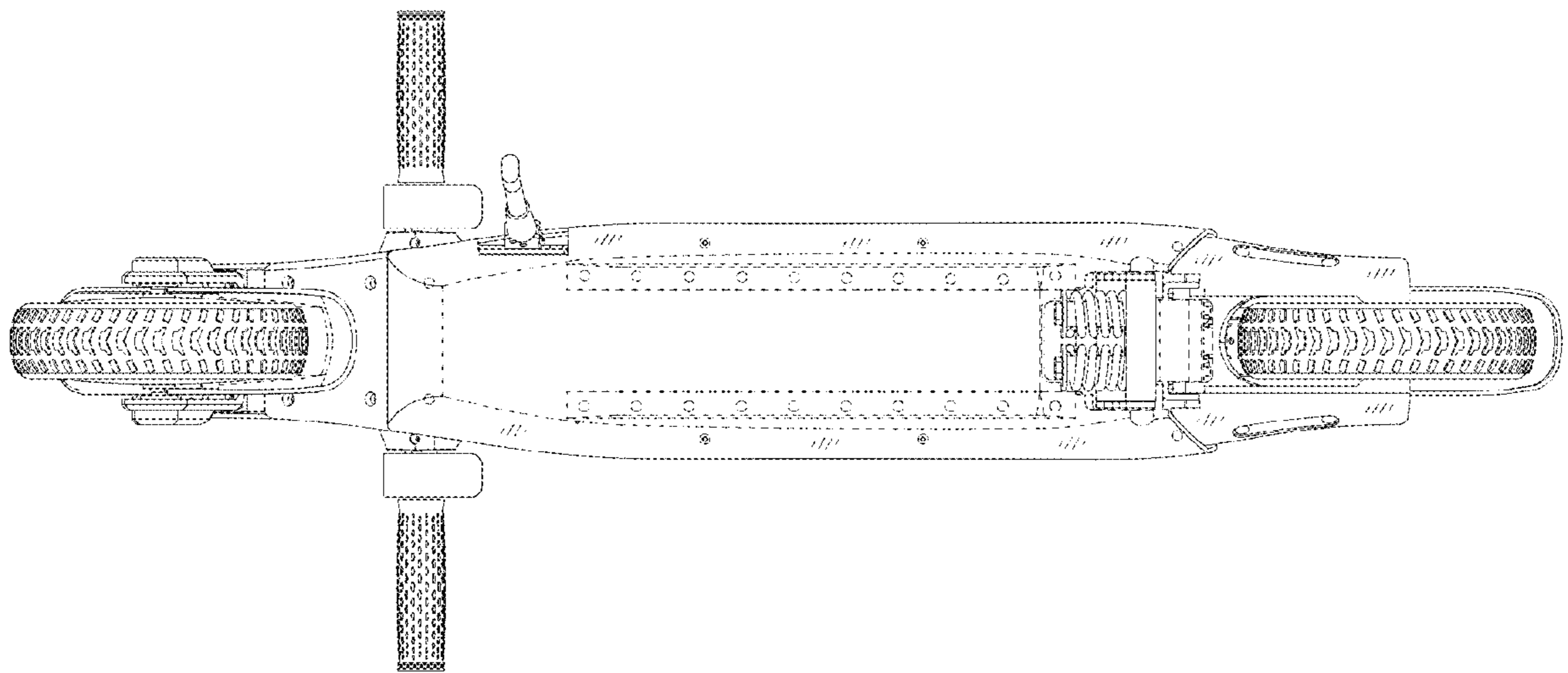


FIG. 7