



US00D943029S

(12) **United States Design Patent** (10) **Patent No.:** **US D943,029 S**
Francisco et al. (45) **Date of Patent:** **** Feb. 8, 2022**

(54) **GAMING MACHINE**
(71) Applicant: **FBM Systems and Electronics, Inc.,**
Olongapo (PH)
(72) Inventors: **Rui Manuel Mendes Francisco,**
Geneva (CH); **Everton Thonebon,**
Olongapo (PH); **Marcelo Domingues**
De Oliveira, São Bernardo do Campo
(BR); **Fernando Galdini Ferrazoli,**
Sliema (MT); **Renato Abrahão De**
Almeida, São Paulo (BR)
(**) Term: **15 Years**
(21) Appl. No.: **29/725,923**
(22) Filed: **Feb. 27, 2020**
(51) **LOC (13) Cl.** **21-03**
(52) **U.S. Cl.**
USPC **D21/369**
(58) **Field of Classification Search**
USPC D21/349, 350, 397, 329, 332, 333, 365,
D21/385, 694, 371, 325, 324, 336, 369,
D21/370
CPC A63F 7/027; A63F 9/00; A63F 5/04; A63F
7/02; G07F 17/321; G07F 17/3213
See application file for complete search history.

D907,710 S * 1/2021 DeMarco D21/369
D907,712 S * 1/2021 DeMarco D21/369
D907,716 S * 1/2021 DeMarco D21/369
D910,117 S * 2/2021 DeMarco D21/369
D910,118 S * 2/2021 DeMarco D21/369
D910,120 S * 2/2021 DeMarco D21/369
D910,763 S * 2/2021 DeMarco D21/369
D918,303 S * 5/2021 DeMarco D21/369
D931,377 S * 9/2021 McGahn D21/370
D934,236 S * 10/2021 Giacomini D14/307
D934,347 S * 10/2021 Ocampo D21/370
2016/0110951 A1 * 4/2016 Caspi G07F 17/3267
463/21
2019/0096170 A1 * 3/2019 Lewis G07F 17/3216
2021/0019996 A1 * 1/2021 Halvorson G07F 17/3244
2021/0322595 A1 * 10/2021 Colvin A61L 2/24
2021/0327205 A1 * 10/2021 Palmisano A63F 1/067

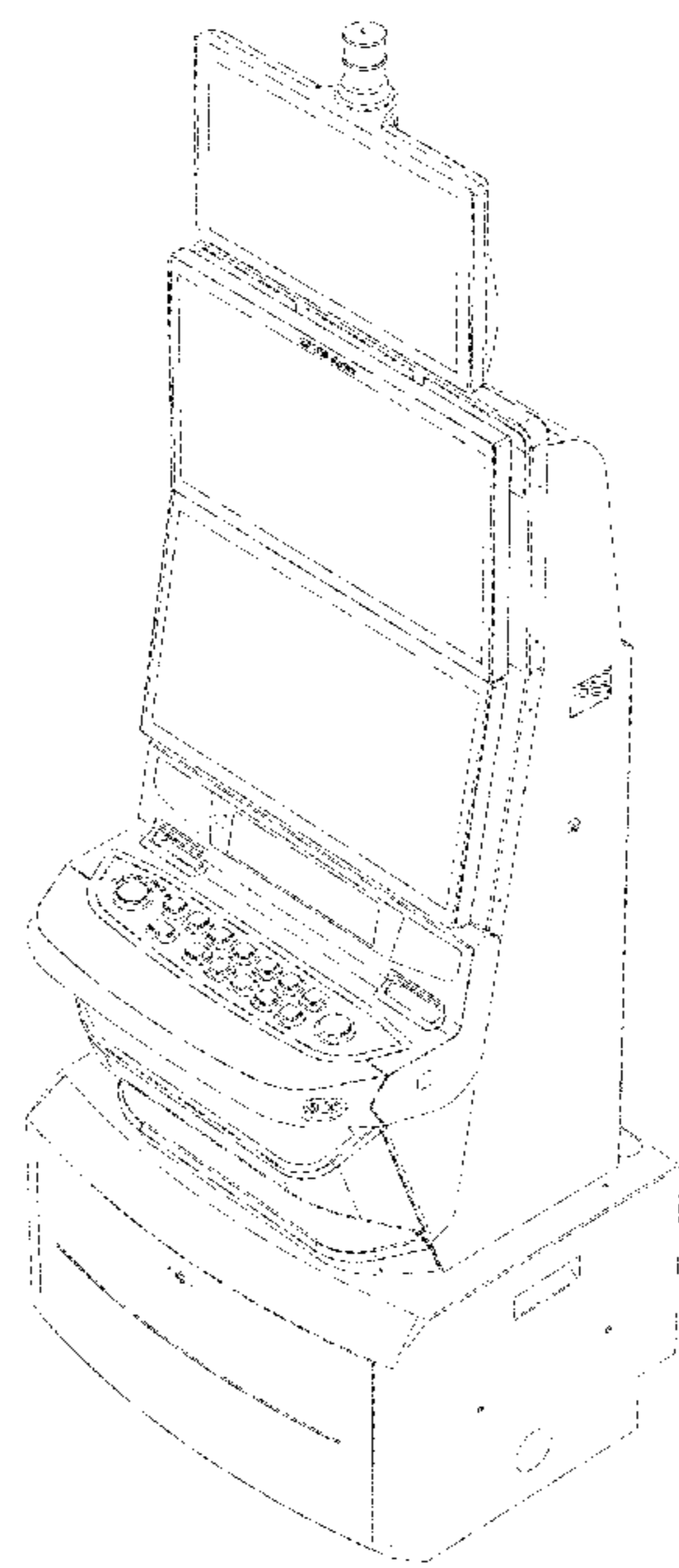
* cited by examiner
Primary Examiner — Khawaja Anwar
Assistant Examiner — Julice Seung Eun Oum
(74) *Attorney, Agent, or Firm* — Millikin Intellectual
Property Law PLLC

(57) **CLAIM**
The ornamental design for a gaming machine, as shown and
described.

DESCRIPTION
FIG. 1 is a perspective view of the gaming machine accord-
ing to the present design;
FIG. 2 is a front view thereof;
FIG. 3 is a left side view thereof;
FIG. 4 is a right side view thereof;
FIG. 5 is a back view thereof;
FIG. 6 is a top view thereof; and,
FIG. 7 is a bottom view thereof.

1 Claim, 7 Drawing Sheets

(56) **References Cited**
U.S. PATENT DOCUMENTS
D508,719 S * 8/2005 de Haas D21/325
D865,066 S * 10/2019 Ortiz De Viveiros D21/369
D868,165 S * 11/2019 Ortiz De Viveiros D21/369
D870,818 S * 12/2019 Curbbun D21/369
D889,553 S * 7/2020 Glenn, II D21/369
D890,849 S * 7/2020 Johnson D21/369
D907,707 S * 1/2021 DeMarco D21/369



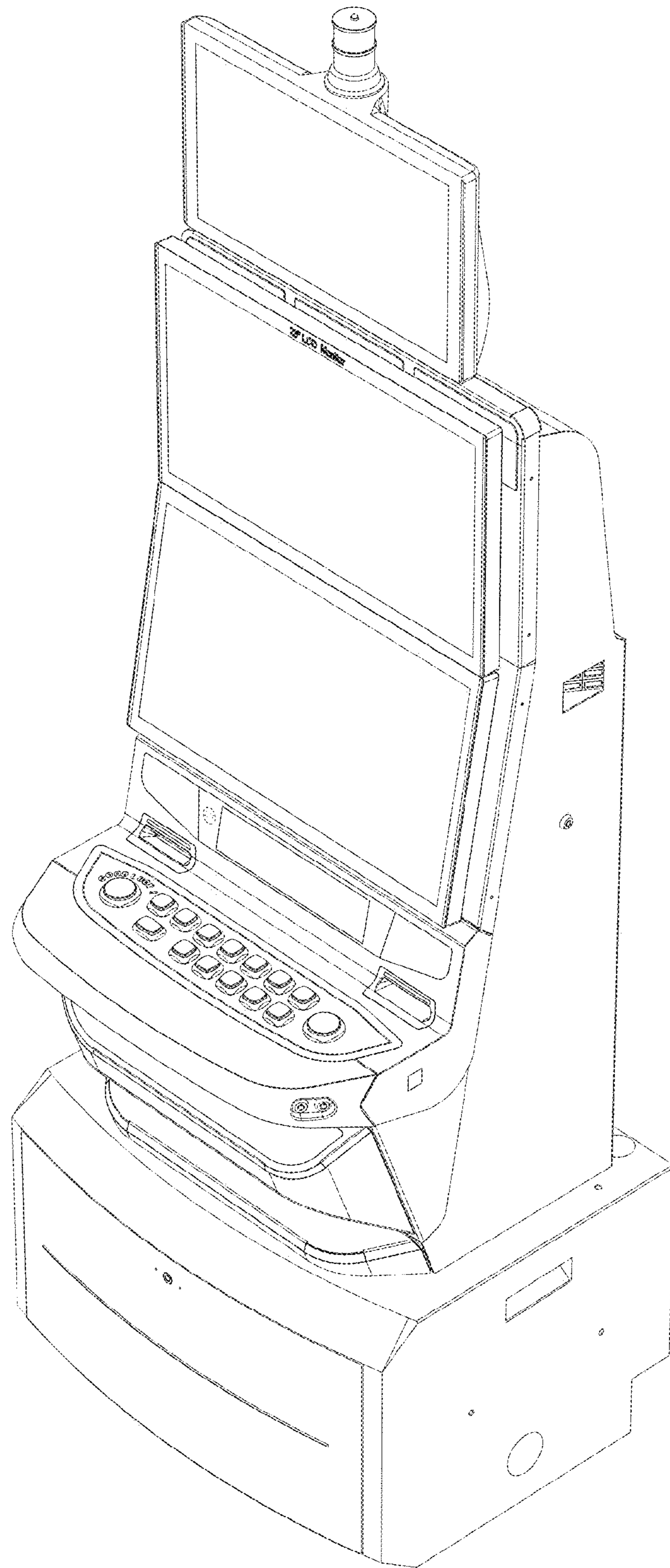


Fig.1

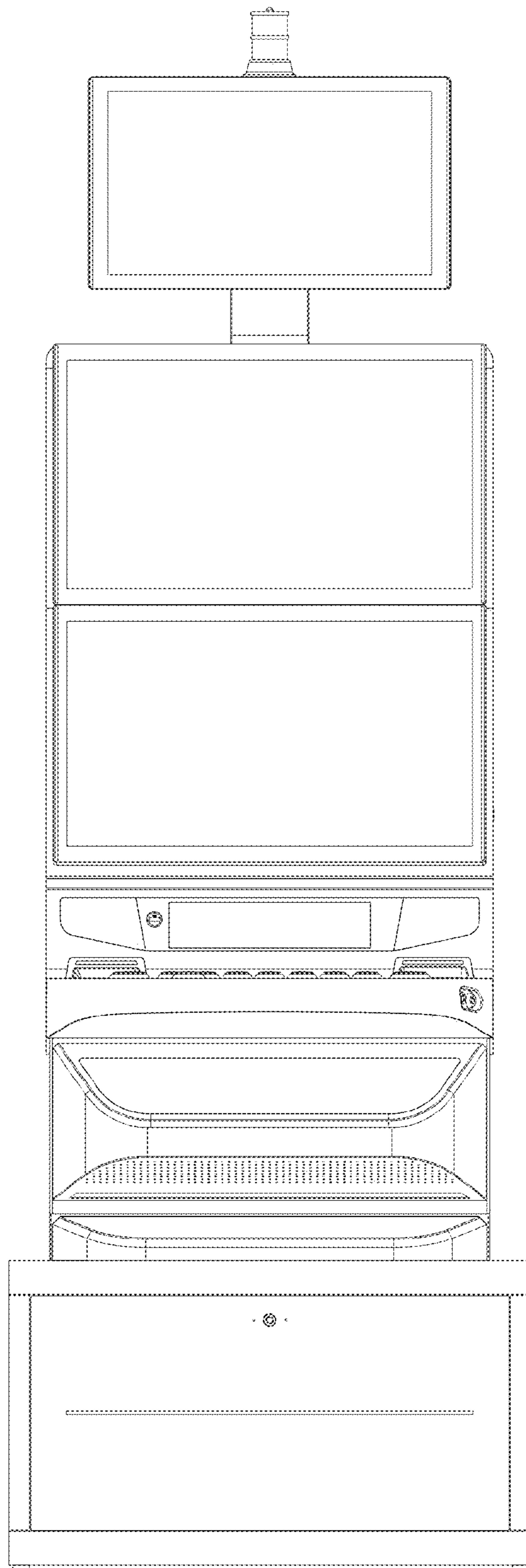


Fig. 2

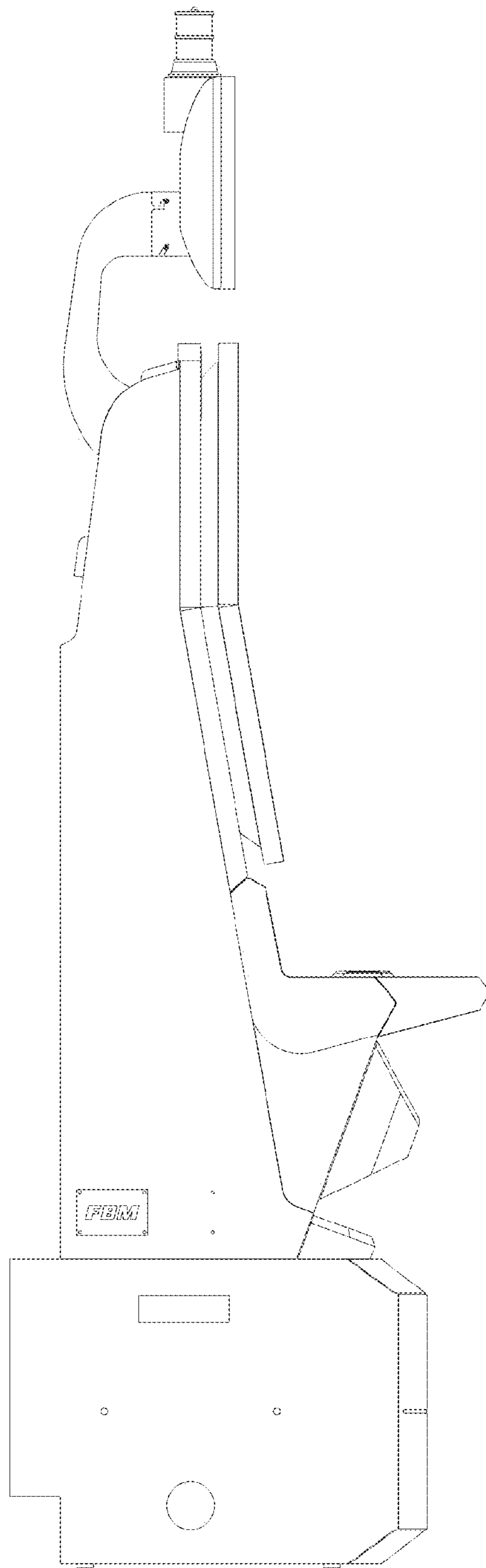


Fig. 3

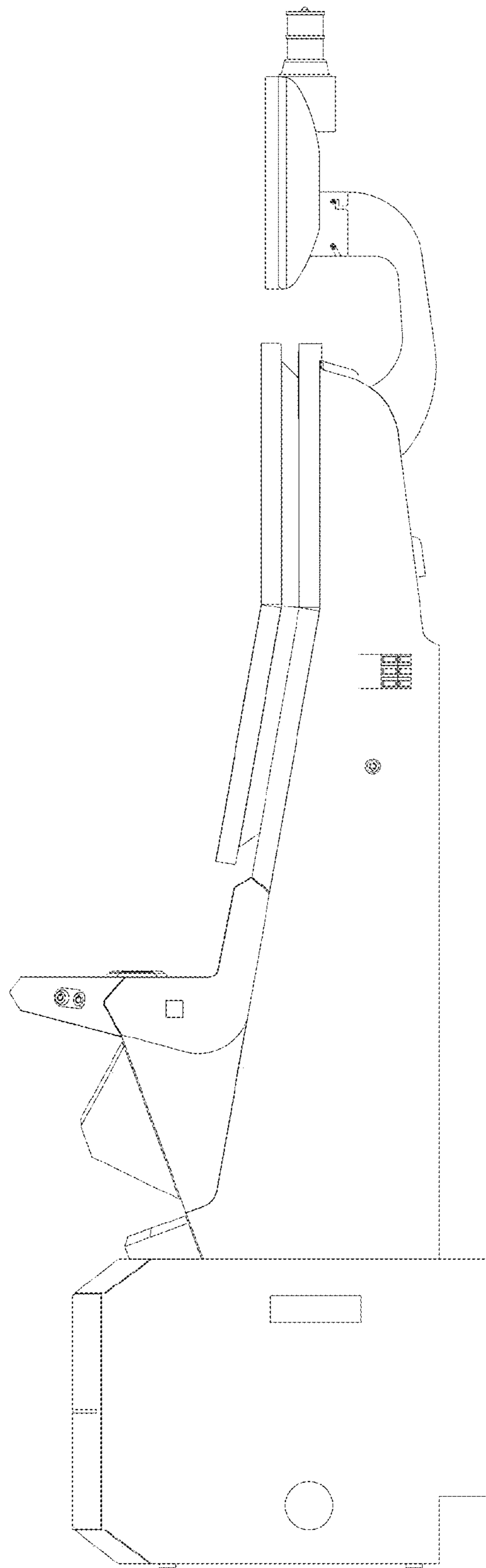


Fig. 4

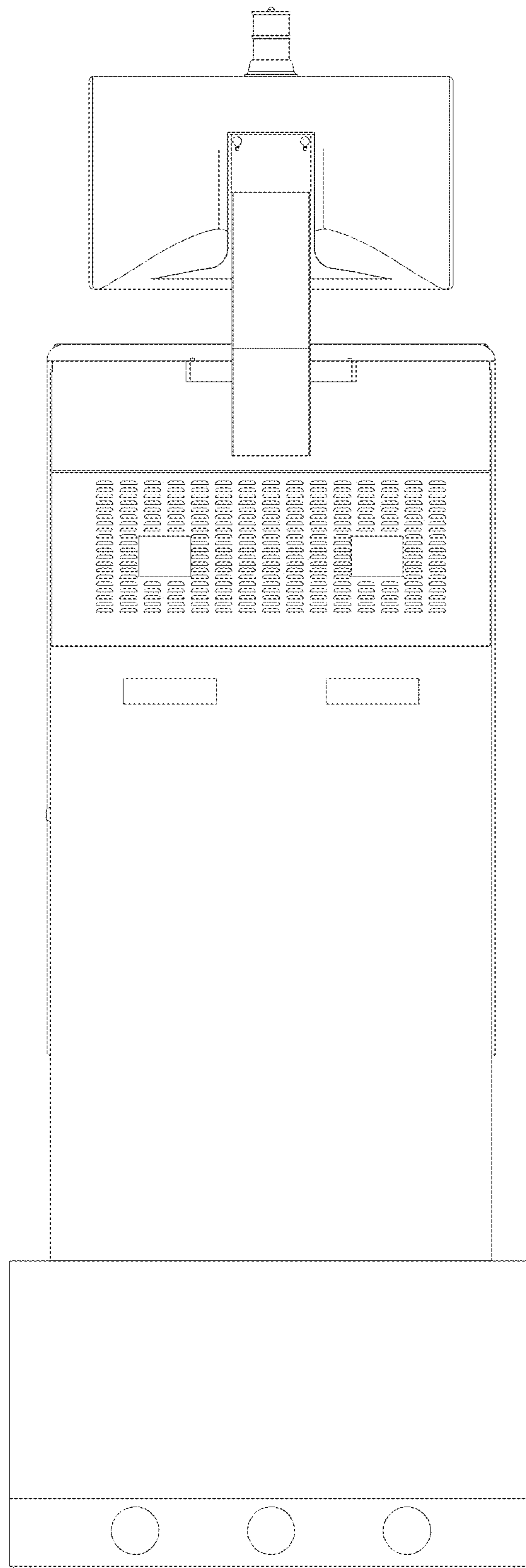


Fig. 5

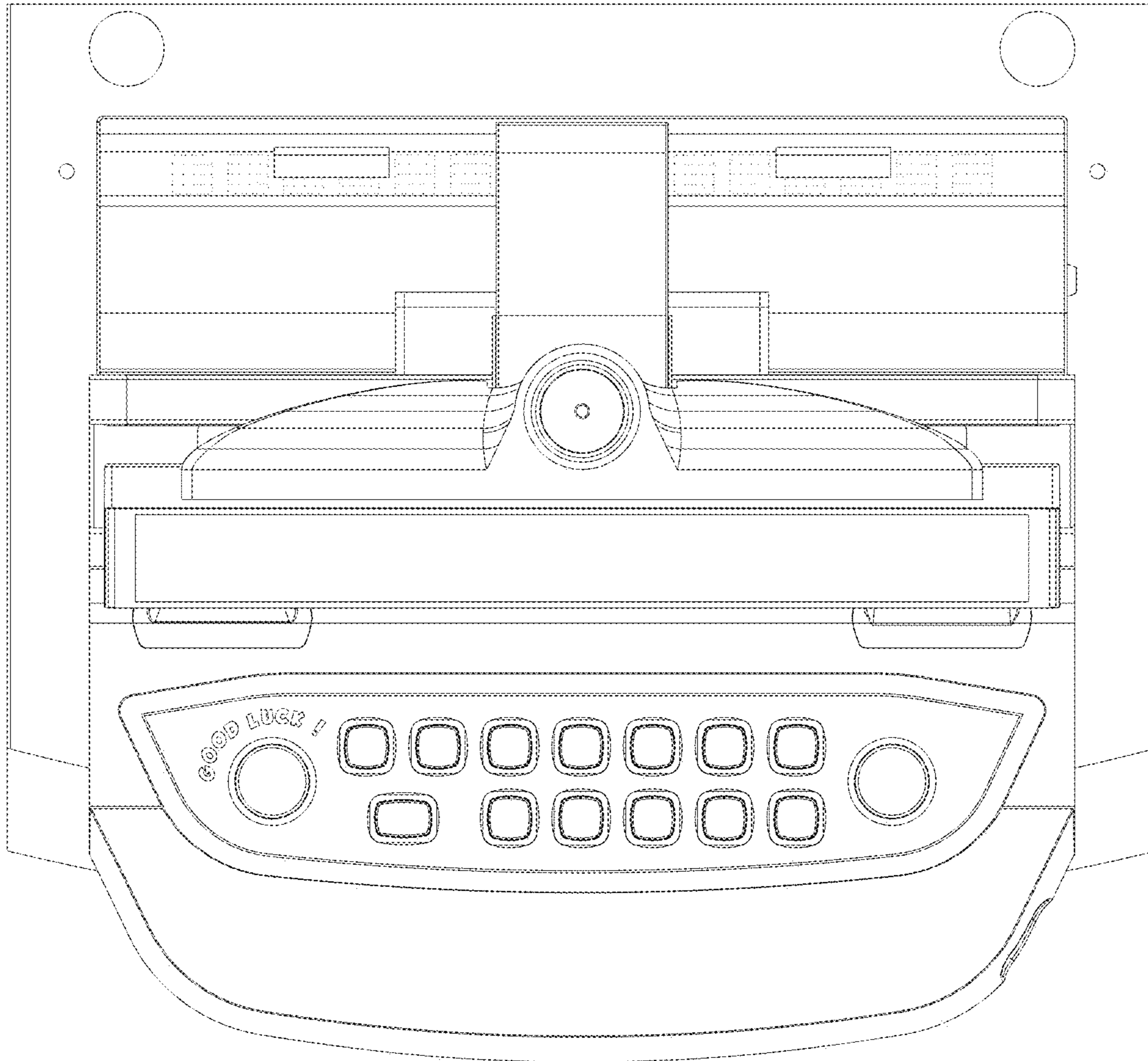


Fig. 6

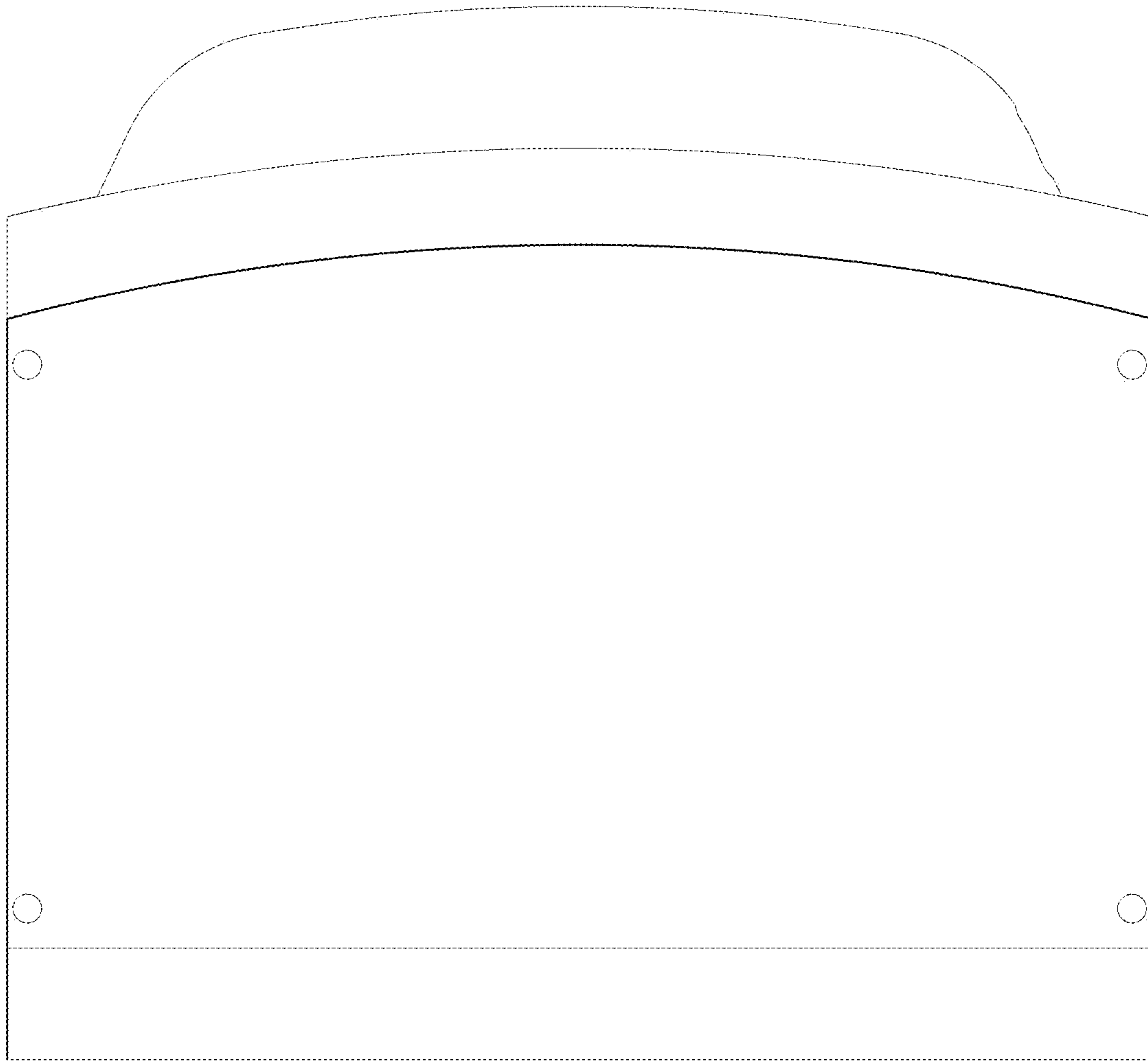


Fig. 7