



US00D943028S

(12) **United States Design Patent**  
**Ortiz de Viveiros et al.**

(10) **Patent No.:** **US D943,028 S**  
(45) **Date of Patent:** **\*\* Feb. 8, 2022**

- (54) **AMUSEMENT APPARATUS**
- (71) Applicant: **ZITRO IP S.ÀR.L.**, Luxembourg (LU)
- (72) Inventors: **Johnny Ortiz de Viveiros**, London (GB); **Fidel Raúl García Álvarez**, Madrid (ES)
- (73) Assignee: **ZITRO INTERNATIONAL S.ÀR.L.**, Luxembourg (LU)

- D907,120 S \* 1/2021 DeMarco ..... D21/369
- D907,125 S \* 1/2021 DeMarco ..... D21/369
- D907,707 S \* 1/2021 DeMarco ..... D21/369
- D907,710 S \* 1/2021 DeMarco ..... D21/369
- D907,712 S \* 1/2021 DeMarco ..... D21/369
- D907,714 S \* 1/2021 DeMarco ..... D21/369
- D907,716 S \* 1/2021 DeMarco ..... D21/369
- D908,172 S \* 1/2021 DeMarco ..... D21/369
- D908,173 S \* 1/2021 DeMarco ..... D21/369

(Continued)

- (\*\*) Term: **15 Years**
- (21) Appl. No.: **29/712,790**
- (22) Filed: **Nov. 12, 2019**

(30) **Foreign Application Priority Data**

Jun. 6, 2019 (EM) ..... 006564555-0003

- (51) **LOC (13) Cl.** ..... **21-03**
- (52) **U.S. Cl.**  
USPC ..... **D21/369**
- (58) **Field of Classification Search**  
USPC ..... D21/349, 350, 397, 329, 332, 333, 365,  
D21/385, 694, 371, 325, 324, 336, 369  
CPC .... A63F 7/027; A63F 9/00; A63F 5/04; A63F  
7/02; G07F 17/321; G07F 17/3213  
See application file for complete search history.

(56) **References Cited**

**U.S. PATENT DOCUMENTS**

- D843,482 S \* 3/2019 Holland ..... D21/396
- D865,066 S \* 10/2019 Ortiz De Viveiros ..... D21/369
- D868,165 S \* 11/2019 Ortiz De Viveiros ..... D21/369
- D870,818 S \* 12/2019 Curbbun ..... D21/369
- D871,507 S \* 12/2019 Urban ..... D21/369
- D872,190 S \* 1/2020 Zedell, Jr. .... D21/369
- D889,553 S \* 7/2020 Glenn, II ..... D21/369
- D890,264 S \* 7/2020 Johnson ..... D21/369
- D890,849 S \* 7/2020 Johnson ..... D21/369
- D898,128 S \* 10/2020 Urban ..... D21/369

**OTHER PUBLICATIONS**

Zitro, announced 2017 [online], [site visited Mar. 3, 2021]. Available on the internet, URL: <https://www.gamesmagazine.biz/empresas/nota/showtime-western-express-juegos-nuevos-y-el-partnership-program> (Year: 2017).\*

(Continued)

*Primary Examiner* — Khawaja Anwar

*Assistant Examiner* — Julice Seung Eun Oum

(74) *Attorney, Agent, or Firm* — Finch & Maloney, PLLC; Michael J. Bujold; Jay S. Franklin

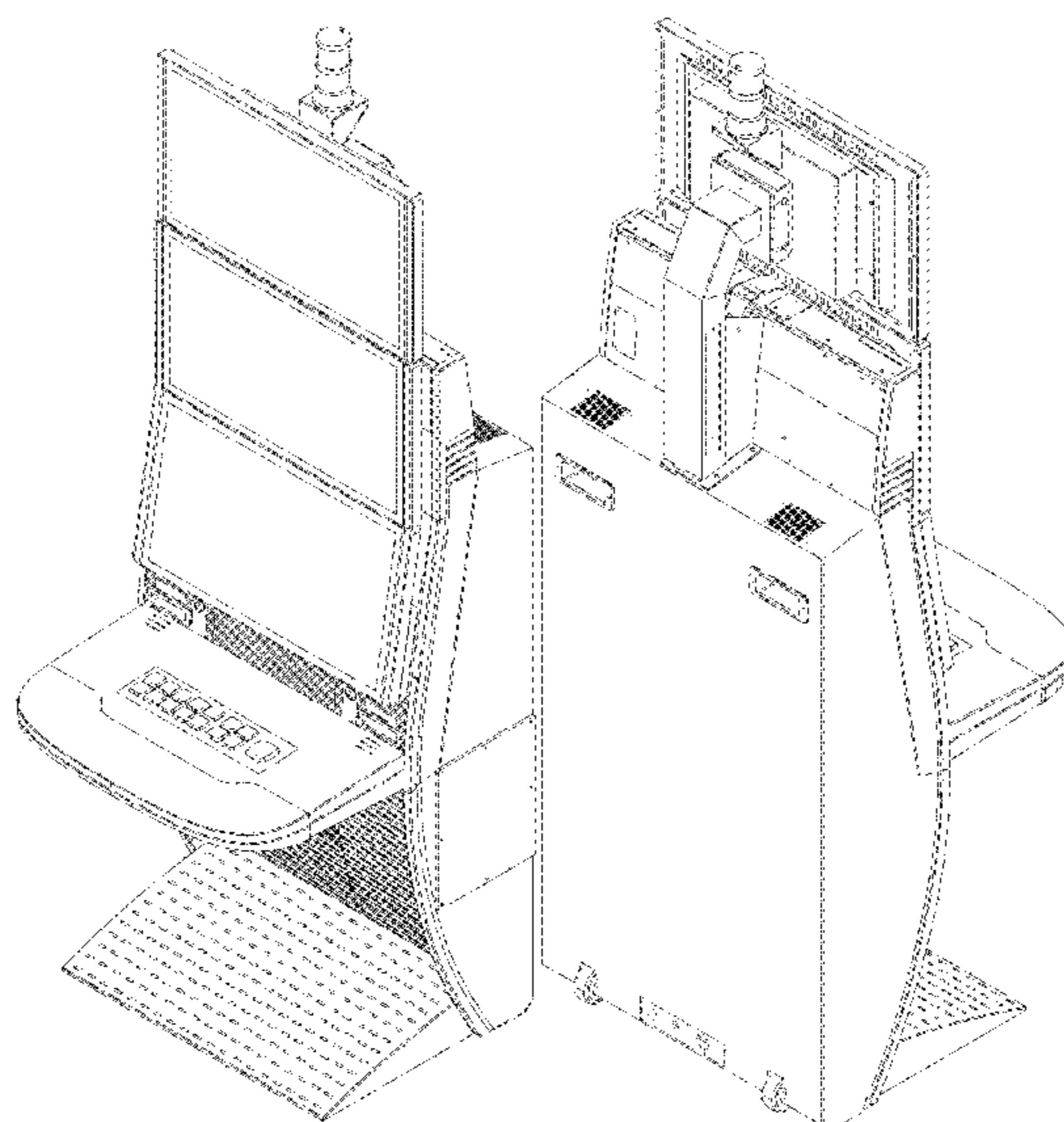
(57) **CLAIM**

We claim the ornamental design for an amusement apparatus, as shown and described.

**DESCRIPTION**

FIG. 1 is a front elevational view of an amusement apparatus embodying our new design;  
FIG. 2 is a rear elevational view thereof;  
FIG. 3 is a top, front, right perspective view thereof;  
FIG. 4 is a top, rear, left perspective view thereof;  
FIG. 5 is a right side elevational view thereof, the left side elevational view being a mirror image thereof;  
FIG. 6 is a top plan view thereof; and,  
FIG. 7 is a bottom plan view thereof.  
The broken lines depict portions of the amusement apparatus that form no part of the claimed designed.

**1 Claim, 6 Drawing Sheets**



(56)

**References Cited**

## U.S. PATENT DOCUMENTS

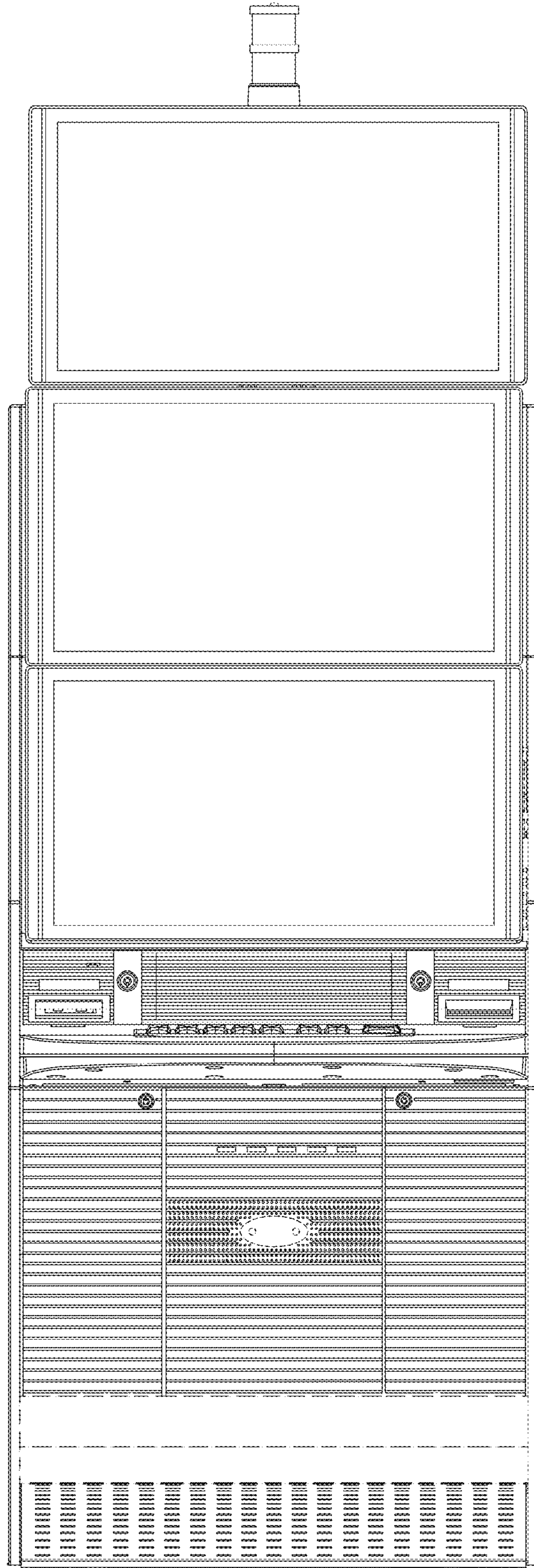
D910,117 S \* 2/2021 DeMarco ..... D21/369  
D910,118 S \* 2/2021 DeMarco ..... G07F 17/3244  
D21/369  
D910,120 S \* 2/2021 DeMarco ..... D21/369  
D910,763 S \* 2/2021 DeMarco ..... D21/369  
D911,451 S \* 2/2021 Ortiz De Viveiros ..... D21/369  
D926,888 S \* 8/2021 Glenn, II ..... D21/369  
D926,889 S \* 8/2021 Bruzzese ..... D21/369  
D932,555 S \* 10/2021 Volkhov ..... D21/369  
2016/0110951 A1 \* 4/2016 Caspi ..... G07F 17/3267  
463/21  
2021/0056801 A1 \* 2/2021 Daumling ..... G07F 17/3213  
2021/0090402 A1 \* 3/2021 Colvin ..... G07F 17/3213  
2021/0110642 A1 \* 4/2021 Ocampo ..... G07F 17/3216  
2021/0110663 A1 \* 4/2021 Suda ..... G07F 17/34  
2021/0112675 A1 \* 4/2021 Bailer ..... H05K 7/14  
2021/0134109 A1 \* 5/2021 Hemerick ..... G07F 9/10  
2021/0142621 A1 \* 5/2021 Halvorson ..... G07F 17/34  
2021/0233348 A1 \* 7/2021 Halvorson ..... G07F 17/34  
2021/0264723 A1 \* 8/2021 Ozaki ..... G07F 17/3216  
2021/0280009 A1 \* 9/2021 Matsuda ..... G07F 17/3209  
2021/0304554 A1 \* 9/2021 Salmon ..... G07F 17/3213  
2021/0322595 A1 \* 10/2021 Colvin ..... A61L 2/24  
2021/0335101 A1 \* 10/2021 Tam ..... G07F 17/3267

## OTHER PUBLICATIONS

FBM, announced 2019 [online], [site visited Mar. 3, 2021]. Available on the internet, URL: <https://www.youtube.com/watch?v=iy933Cck4to> (Year: 2019).\*

\* cited by examiner

**FIG. 1**





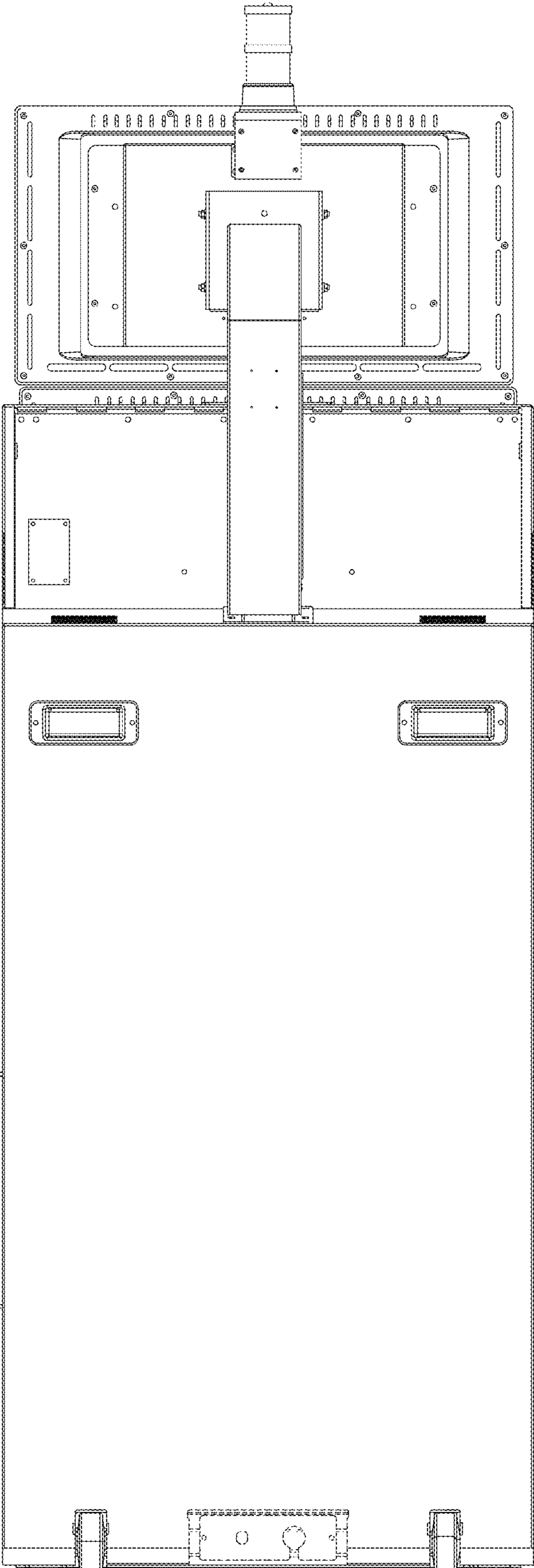
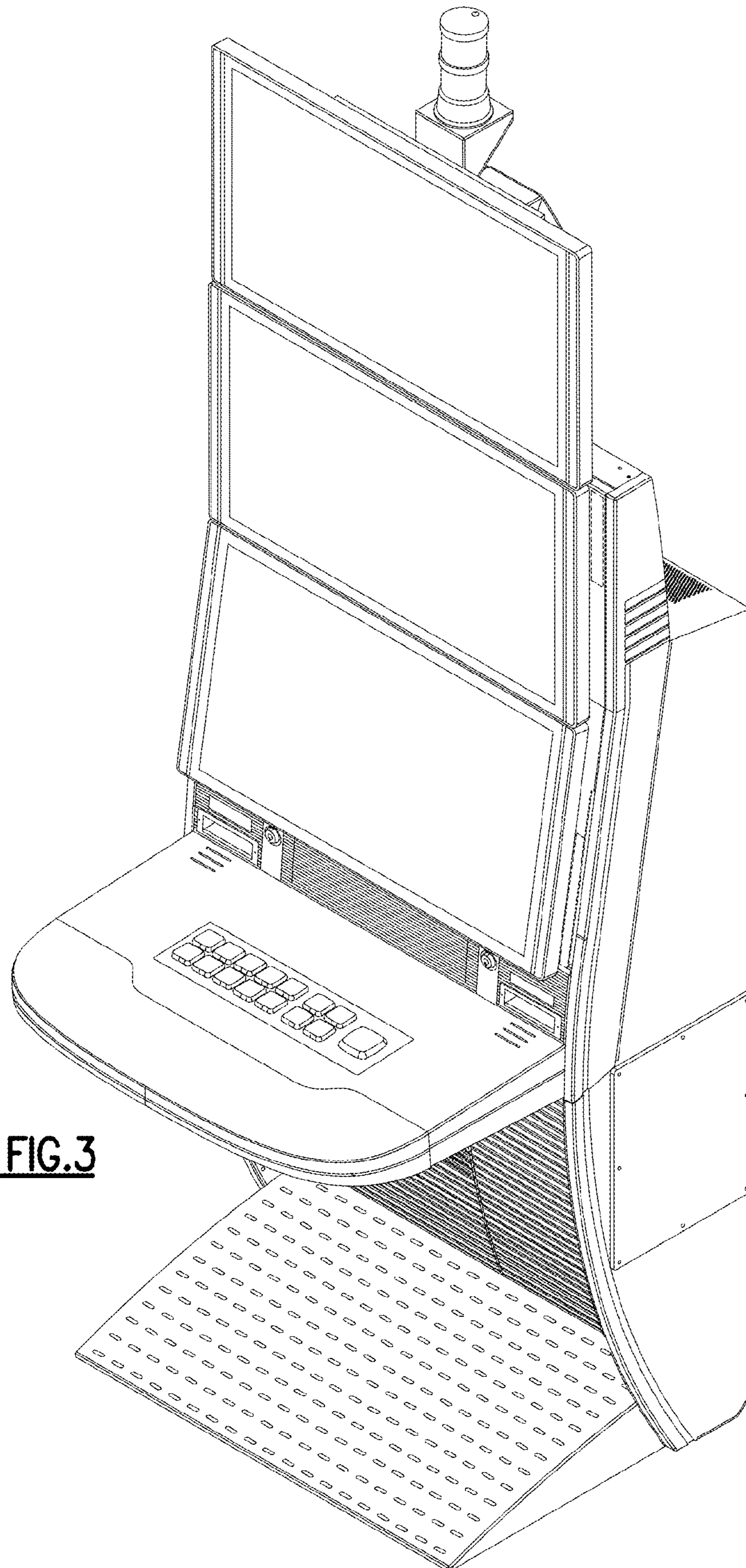


FIG. 2



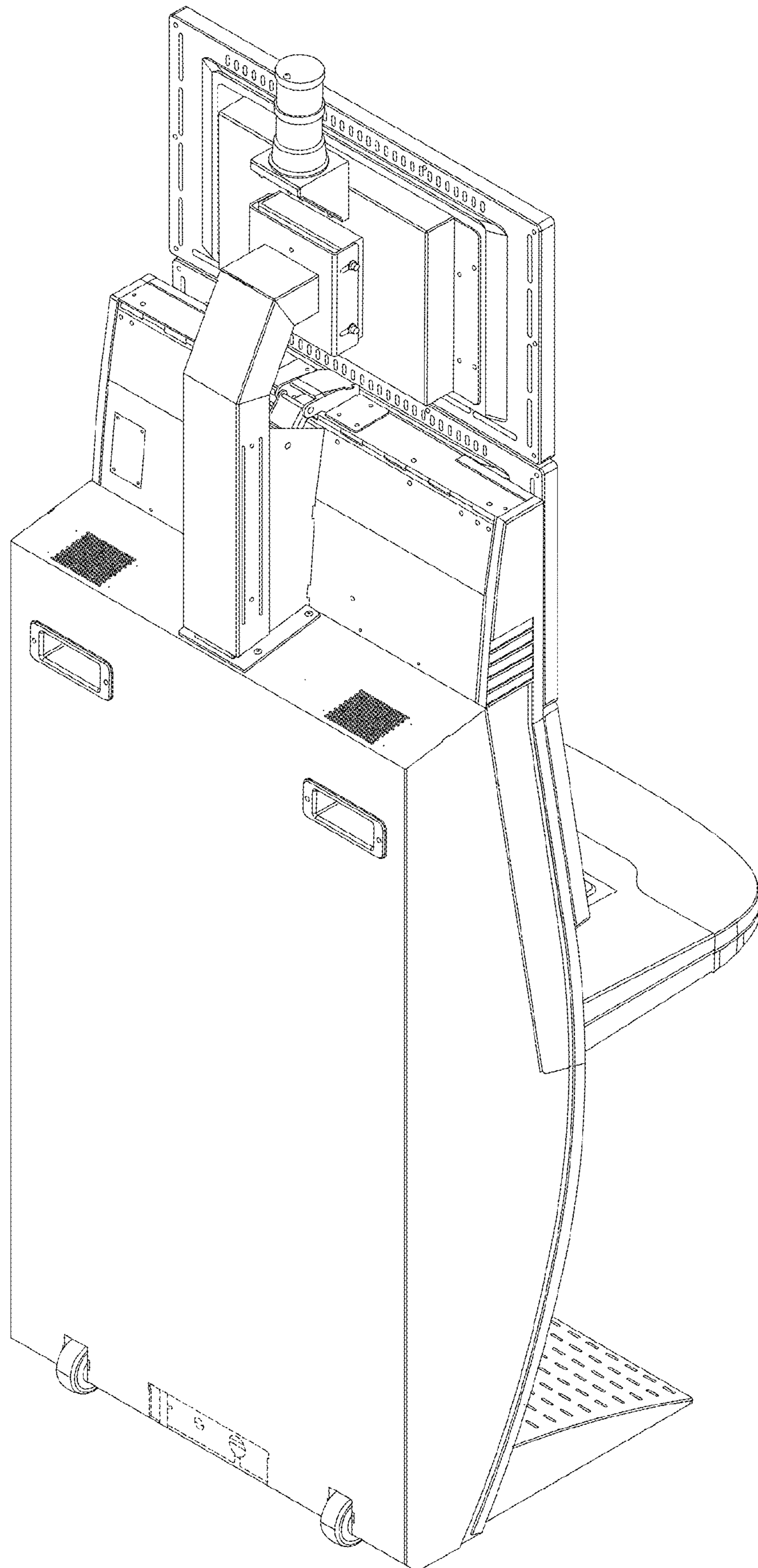
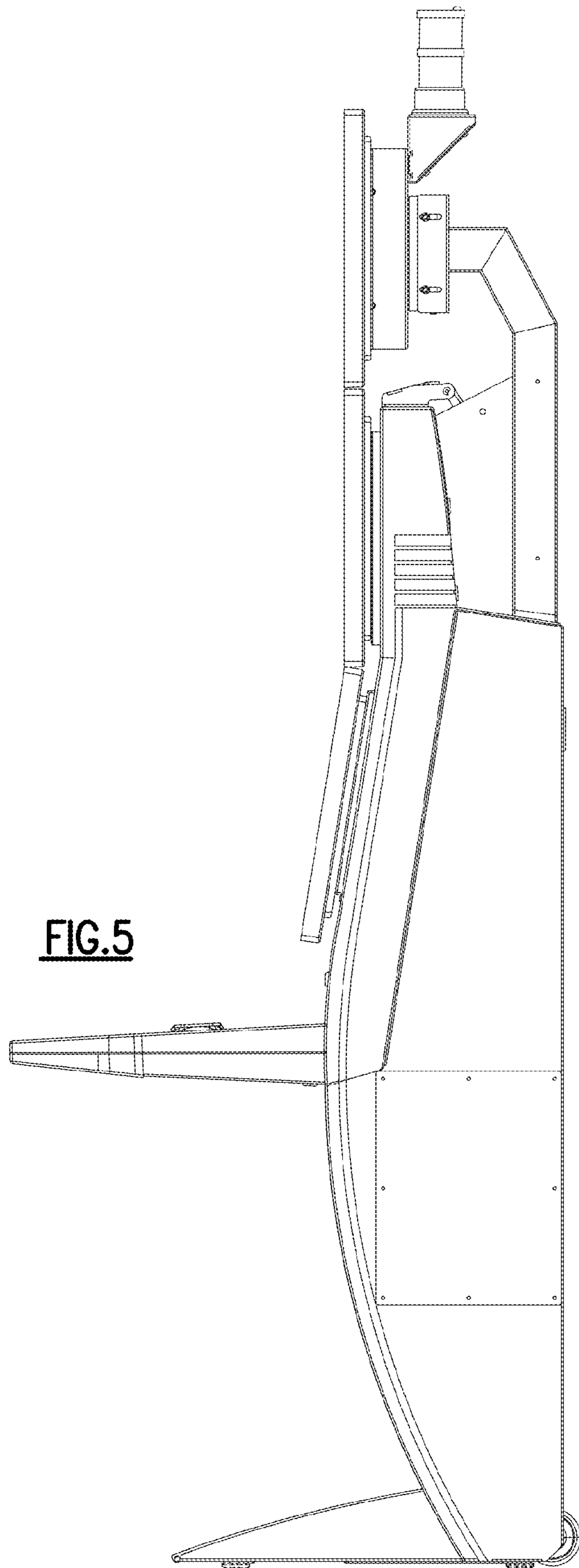


FIG.4





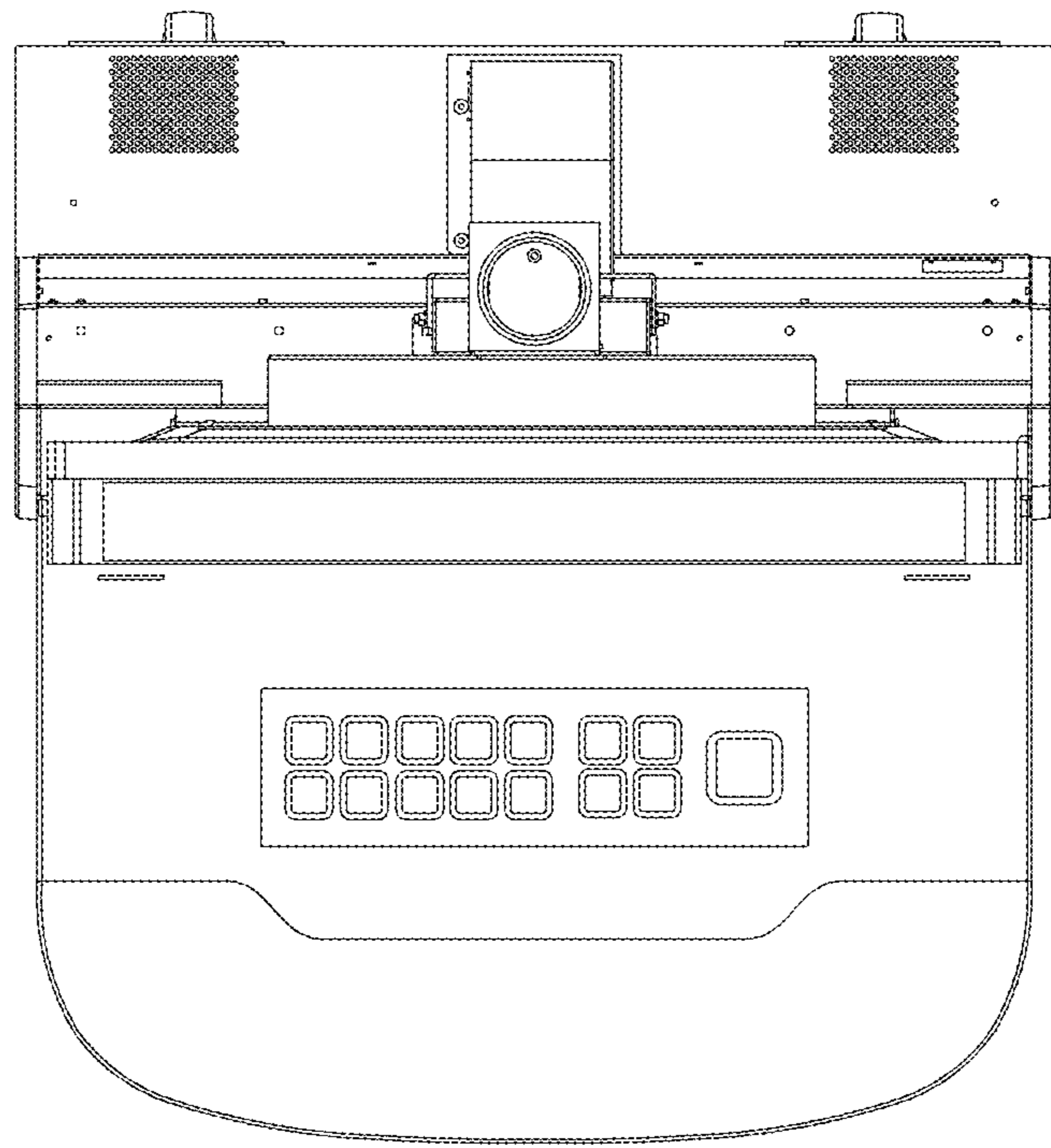


FIG. 6

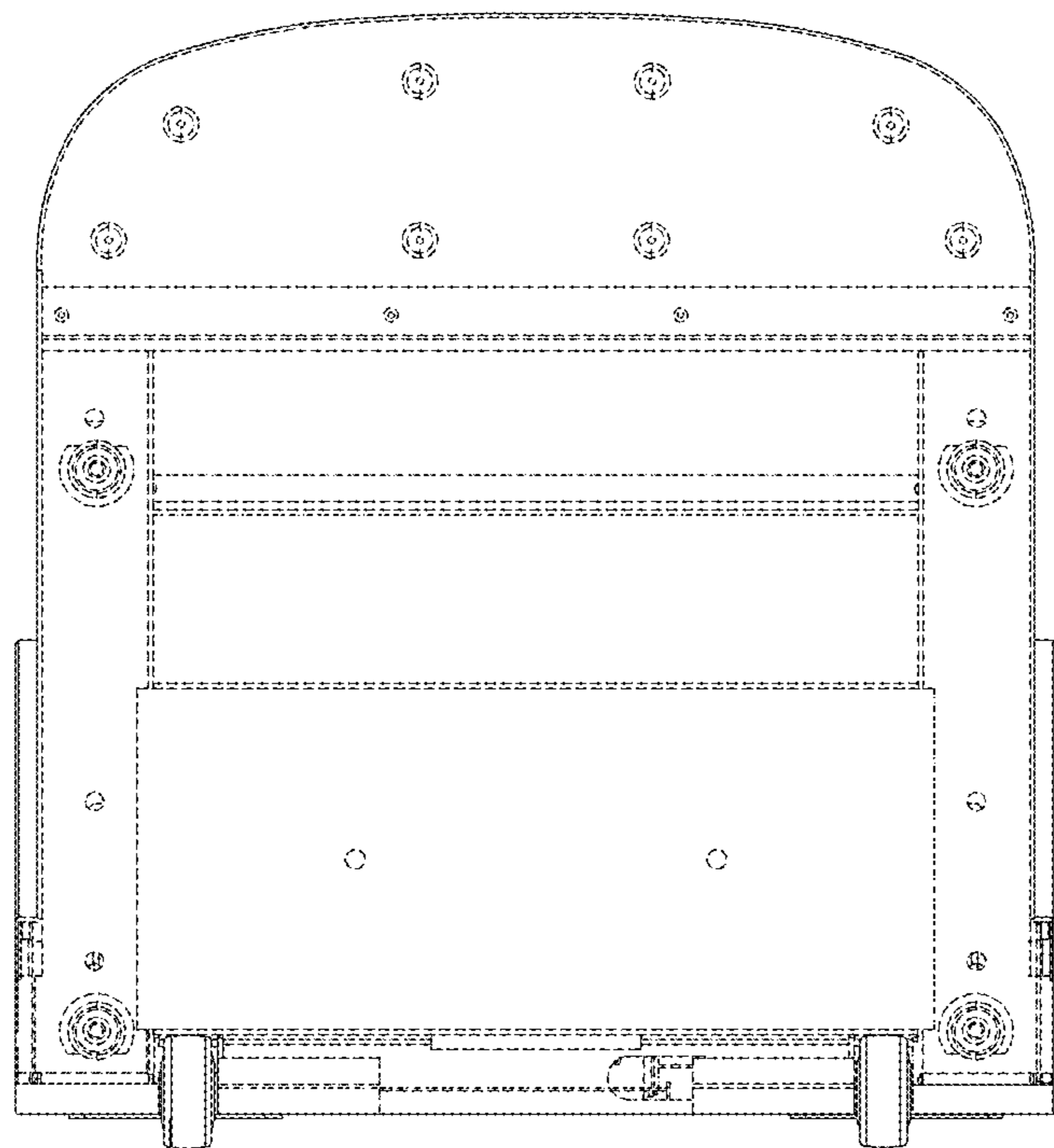


FIG. 7