



US00D943027S

(12) **United States Design Patent** (10) **Patent No.:** **US D943,027 S**
Ortiz De Viveiros et al. (45) **Date of Patent:** **** Feb. 8, 2022**

(54) **AMUSEMENT APPARATUS**
(71) Applicant: **ZITRO IP S.ÀR.L.**, Luxembourg (LU)
(72) Inventors: **Johnny Ortiz De Viveiros**, London (GB); **Fidel Raúl García Álvarez**, Madrid (ES)
(73) Assignee: **ZITRO INTERNATIONAL S.ÀR.L.**, Luxembourg (LU)

D907,120 S * 1/2021 DeMarco D21/369
D907,125 S * 1/2021 DeMarco D21/369
D907,707 S * 1/2021 DeMarco D21/369
D907,710 S * 1/2021 DeMarco D21/369
D907,712 S * 1/2021 DeMarco D21/369
D907,714 S * 1/2021 DeMarco D21/369
D907,716 S * 1/2021 DeMarco D21/369
D908,172 S * 1/2021 DeMarco D21/369
D908,173 S * 1/2021 DeMarco D21/369

(Continued)

(**) Term: **15 Years**
(21) Appl. No.: **29/712,789**
(22) Filed: **Nov. 12, 2019**

(30) **Foreign Application Priority Data**
Jun. 6, 2019 (EM) 006564555-0002
(51) **LOC (13) Cl.** **21-03**
(52) **U.S. Cl.**
USPC **D21/369**
(58) **Field of Classification Search**
USPC D21/349, 350, 397, 329, 332, 333, 365,
D21/385, 694, 371, 325, 324, 336, 369
CPC A63F 7/027; A63F 9/00; A63F 5/04; A63F
7/02; G07F 17/321; G07F 17/3213
See application file for complete search history.

(56) **References Cited**
U.S. PATENT DOCUMENTS

D843,482 S * 3/2019 Holland D21/396
D865,066 S * 10/2019 Ortiz De Viveiros D21/369
D868,165 S * 11/2019 Ortiz De Viveiros D21/369
D870,818 S * 12/2019 Curbbun D21/369
D871,507 S * 12/2019 Urban D21/369
D872,190 S * 1/2020 Zedell, Jr. D21/369
D889,553 S * 7/2020 Glenn, II D21/369
D890,264 S * 7/2020 Johnson D21/369
D890,849 S * 7/2020 Johnson D21/369
D898,128 S * 10/2020 Urban D21/369

OTHER PUBLICATIONS

Zitro, announced 2017 [online], [site visited Mar. 3, 2021]. Available on the internet, URL: <https://www.gamesmagazine.biz/empresas/nota/showtime-western-express-juegos-nuevos-y-el-partnership-program> (Year: 2017).*

(Continued)

Primary Examiner — Khawaja Anwar
Assistant Examiner — Julice Seung Eun Oum
(74) *Attorney, Agent, or Firm* — Finch & Maloney, PLLC; Michael J. Bujold; Jay S. Franklin

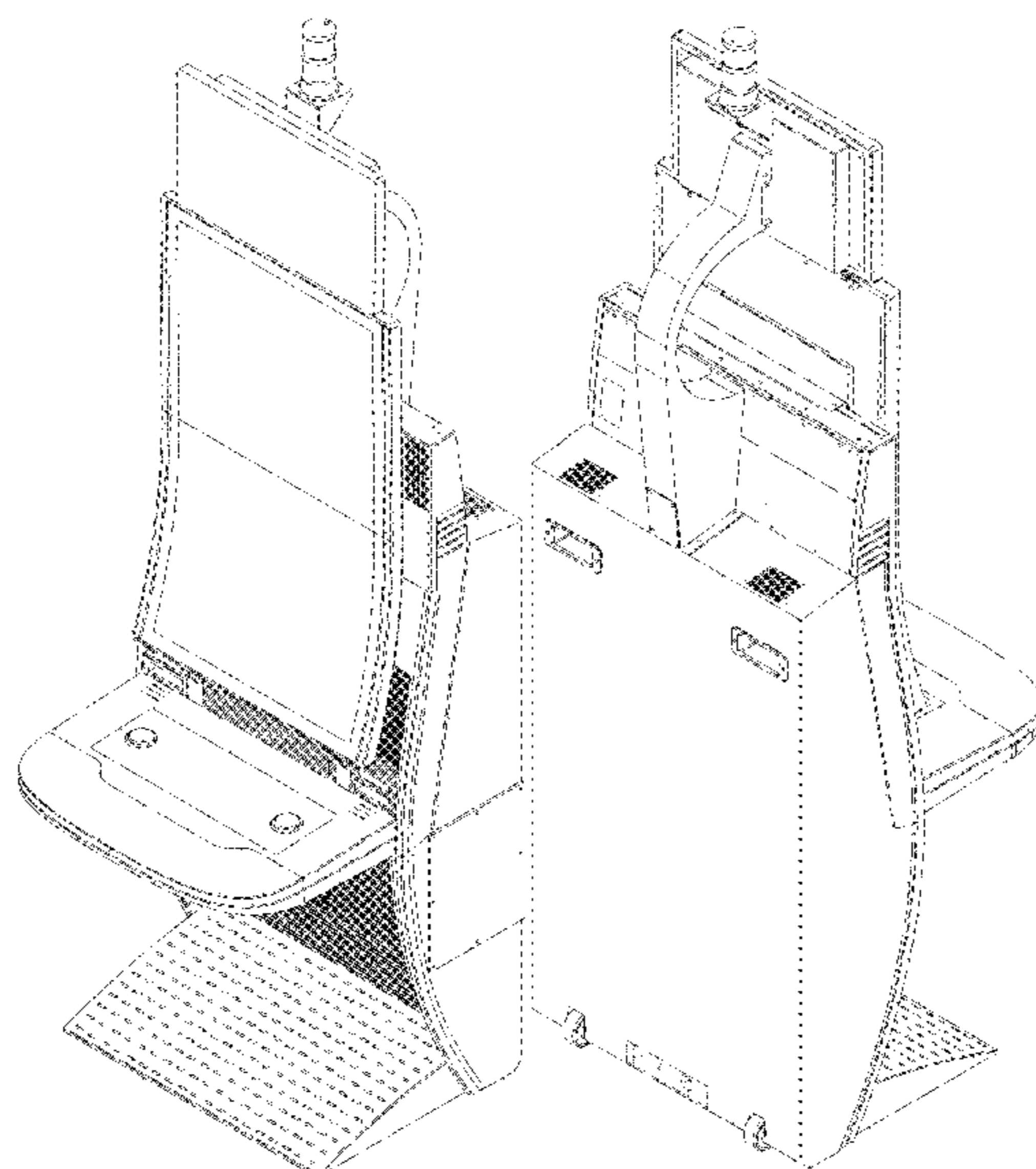
(57) **CLAIM**

We claim the ornamental design for a amusement apparatus, as shown and described.

DESCRIPTION

FIG. 1 is a front elevational view of an amusement apparatus embodying our new design;
FIG. 2 is a rear elevational view thereof;
FIG. 3 is a top, front, right perspective view thereof;
FIG. 4 is a top, rear, left perspective view thereof;
FIG. 5 is a right side elevational view thereof, the left side elevational view being a mirror image thereof;
FIG. 6 is a top plan view thereof; and,
FIG. 7 is a bottom plan view thereof.
The broken lines depict portions of the amusement apparatus that form no part of the claimed designed.

1 Claim, 6 Drawing Sheets



(56)

References Cited

U.S. PATENT DOCUMENTS

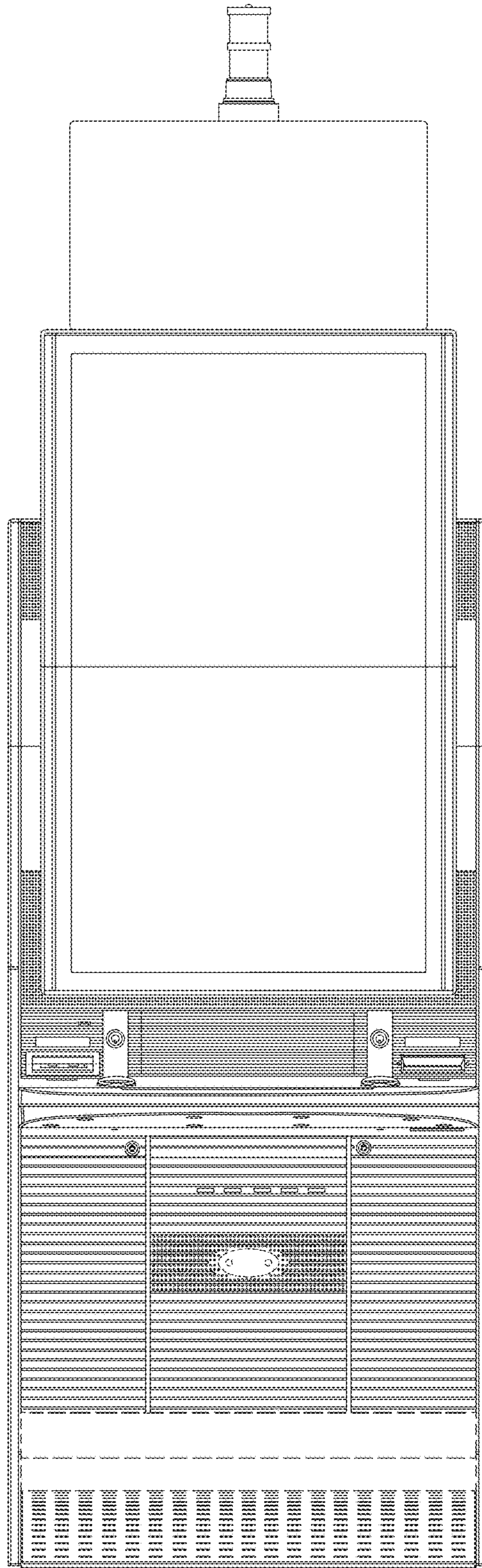
D910,117 S * 2/2021 DeMarco D21/369
D910,118 S * 2/2021 DeMarco G07F 17/3244
D21/369
D910,120 S * 2/2021 DeMarco D21/369
D910,763 S * 2/2021 DeMarco D21/369
D911,451 S * 2/2021 Ortiz De Viveiros D21/369
D926,888 S * 8/2021 Glenn, II D21/369
D926,889 S * 8/2021 Bruzzese D21/369
D932,555 S * 10/2021 Volkhov D21/369
2016/0110951 A1 * 4/2016 Caspi G07F 17/3267
463/21
2021/0056801 A1 * 2/2021 Daumling G07F 17/3213
2021/0090402 A1 * 3/2021 Colvin G07F 17/3213
2021/0110642 A1 * 4/2021 Ocampo G07F 17/3216
2021/0110663 A1 * 4/2021 Suda G07F 17/34
2021/0112675 A1 * 4/2021 Bailer H05K 7/14
2021/0134109 A1 * 5/2021 Hemerick G07F 9/10
2021/0142621 A1 * 5/2021 Halvorson G07F 17/34
2021/0233348 A1 * 7/2021 Halvorson G07F 17/34
2021/0264723 A1 * 8/2021 Ozaki G07F 17/3216
2021/0280009 A1 * 9/2021 Matsuda G07F 17/3209
2021/0304554 A1 * 9/2021 Salmon G07F 17/3213
2021/0322595 A1 * 10/2021 Colvin A61L 2/24
2021/0335101 A1 * 10/2021 Tam G07F 17/3267

OTHER PUBLICATIONS

FBM, announced 2019 [online], [site visited Mar. 3, 2021]. Available on the internet, URL: <https://www.youtube.com/watch?v=iy933Cck4to> (Year: 2019).*

* cited by examiner

FIG. 1



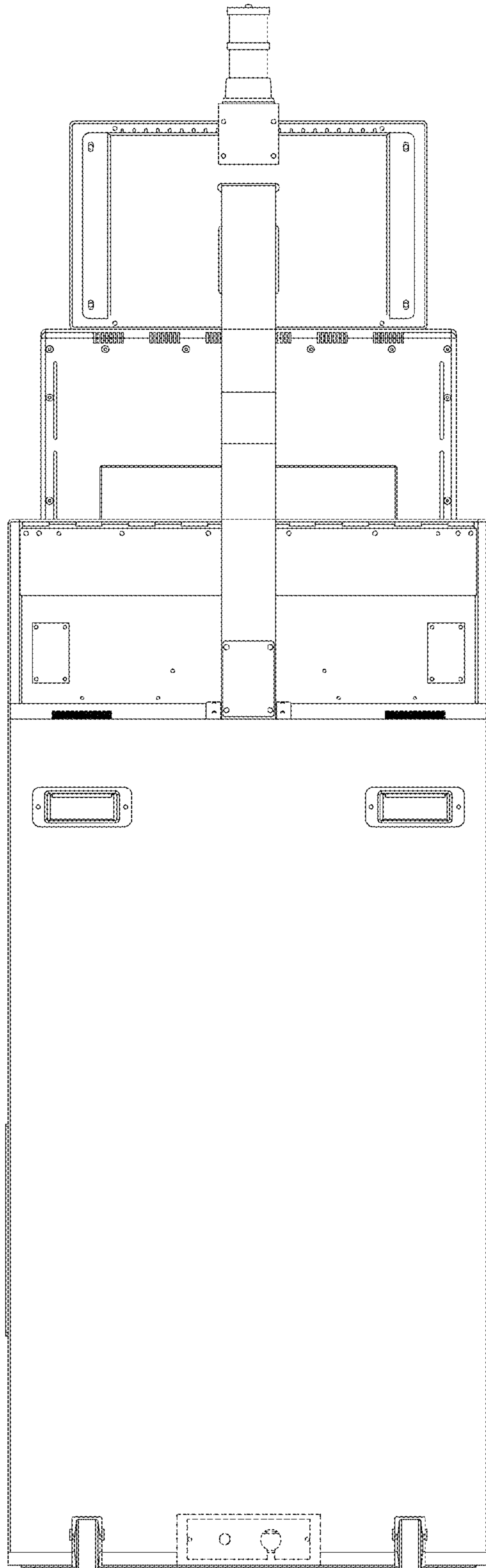


FIG.2

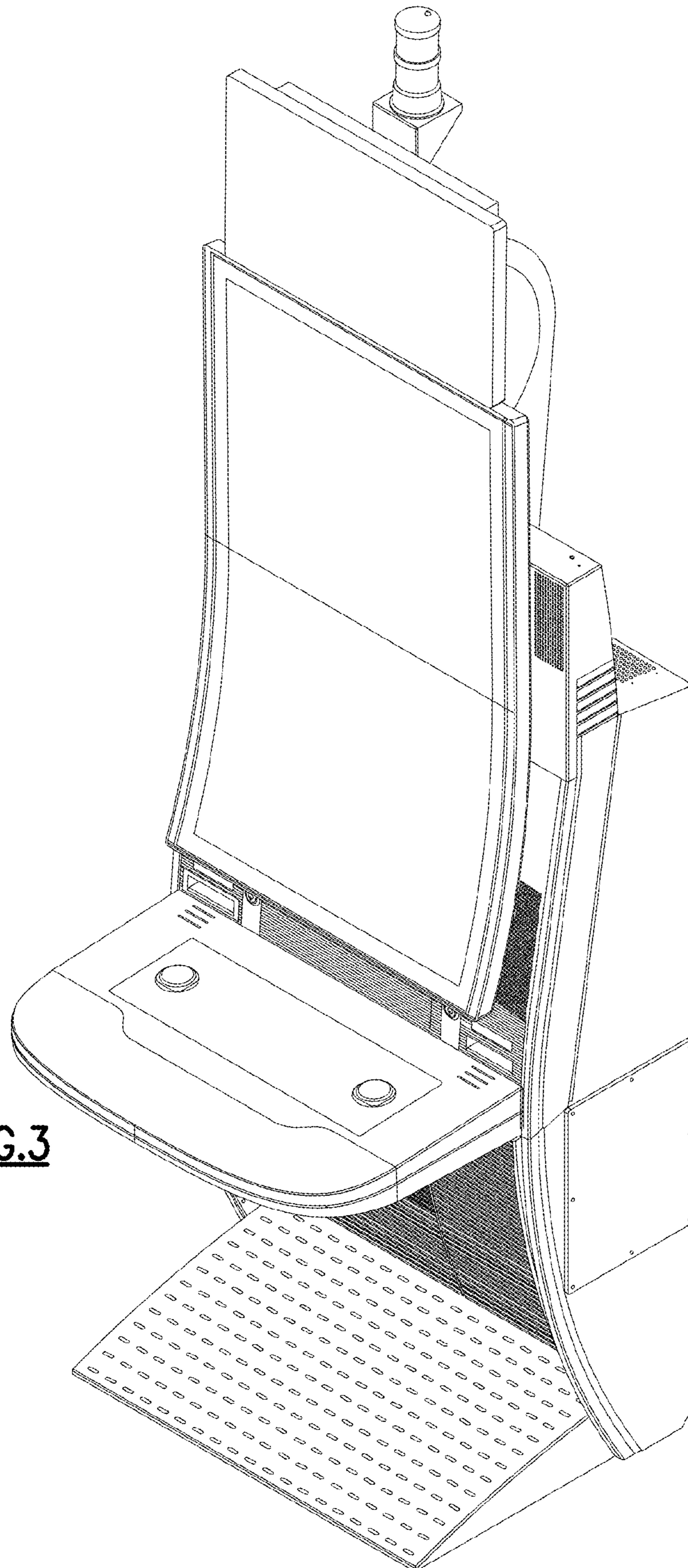


FIG.3

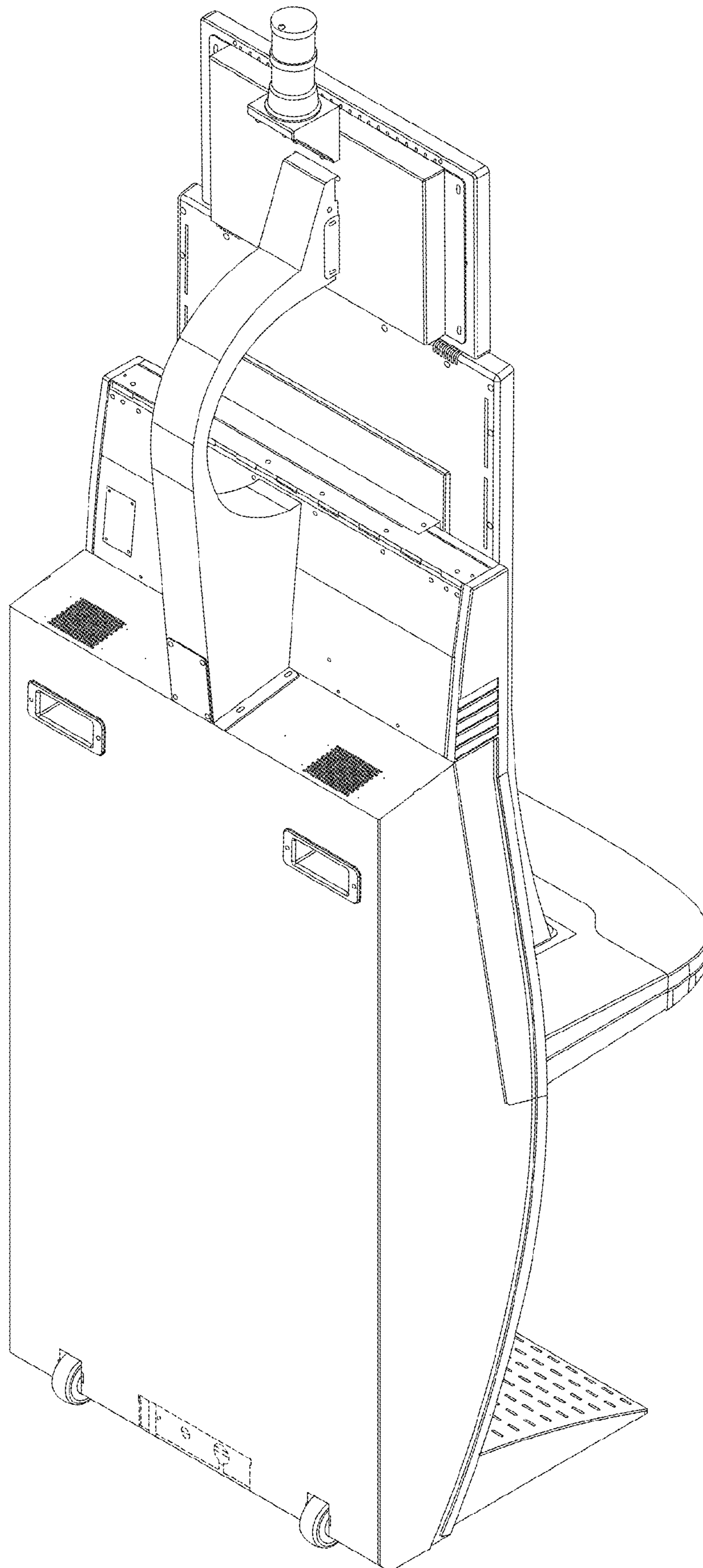


FIG.4

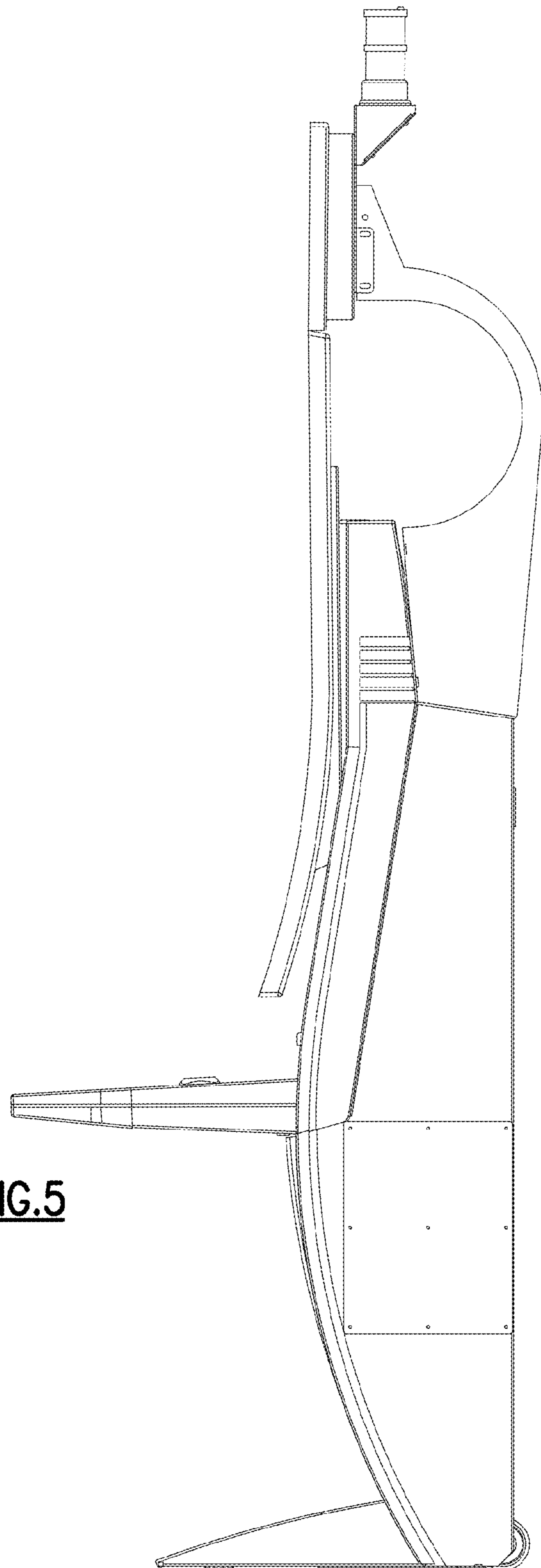


FIG.5

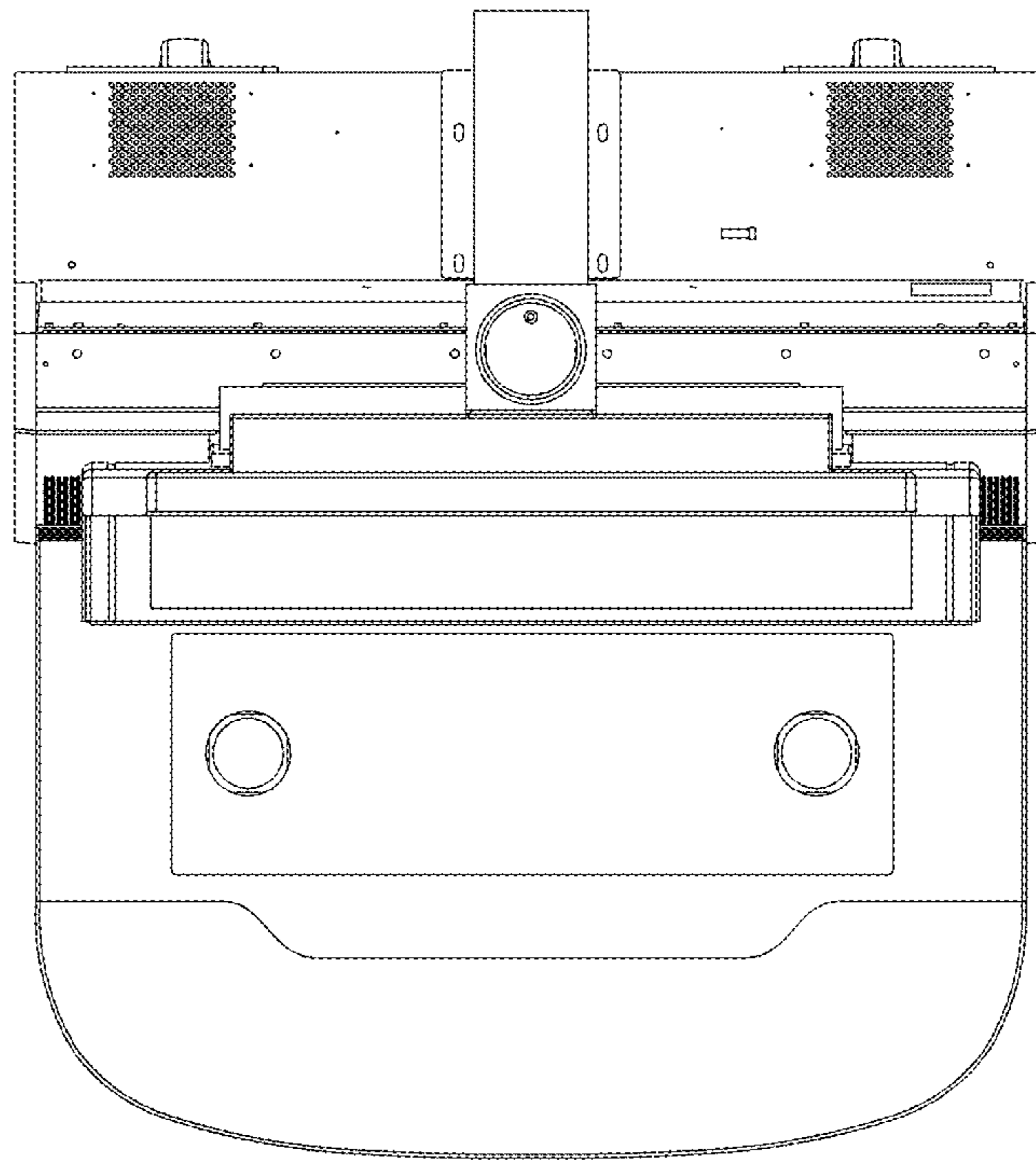


FIG. 6

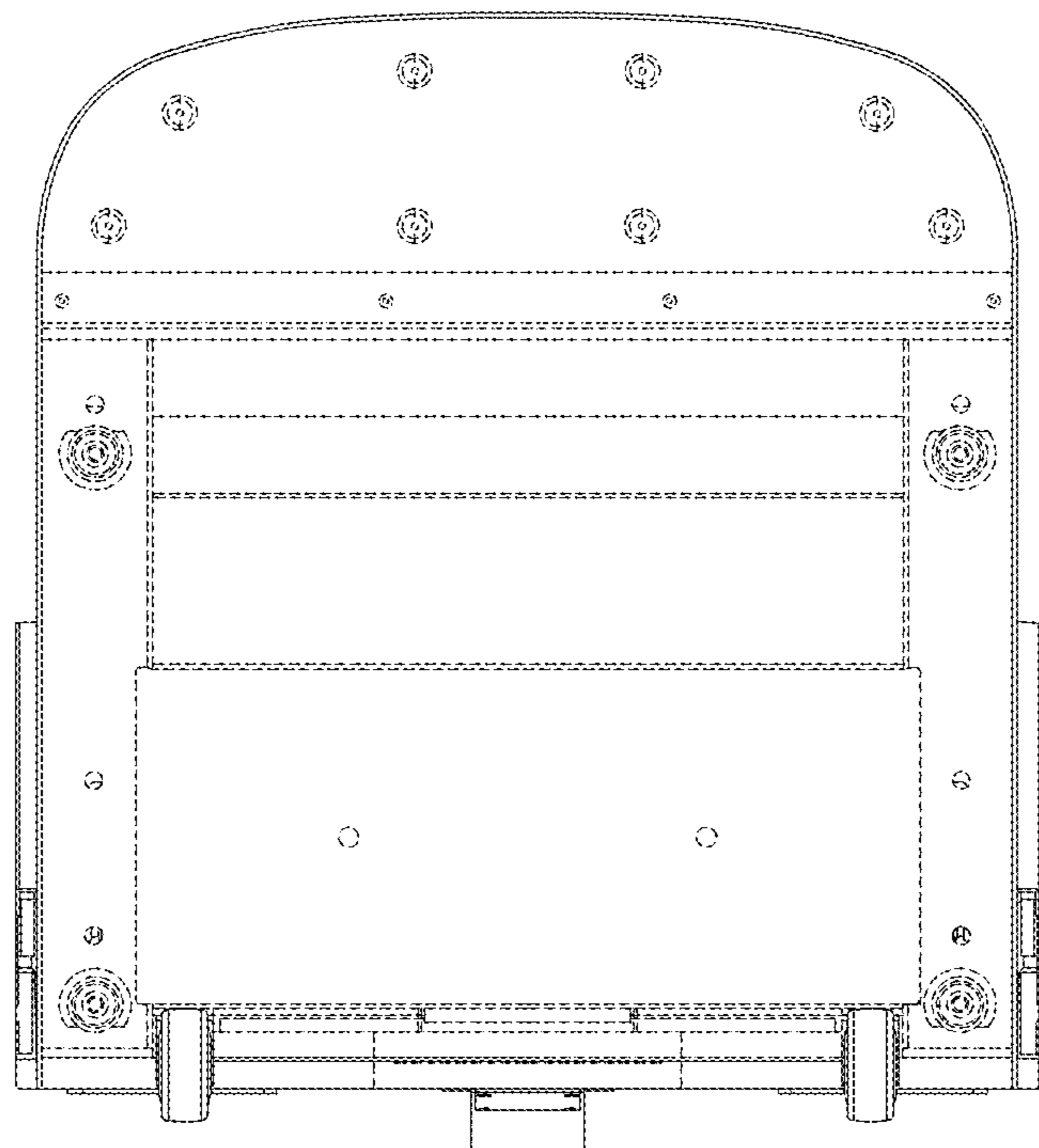


FIG. 7