



US00D943025S

(12) **United States Design Patent**
Koreska

(10) **Patent No.:** **US D943,025 S**

(45) **Date of Patent:** **** Feb. 8, 2022**

(54) **MARKER WITH CAP**

(71) Applicant: **Kores Holding Zug AG**, Zug (CH)

(72) Inventor: **Clemens Koreska**, Vienna (AT)

(**) Term: **15 Years**

(21) Appl. No.: **35/510,487**

(22) Filed: **Jun. 22, 2020**

(80) **Hague Agreement Data**

Int. Filing Date: **Jun. 22, 2020**

Int. Reg. No.: **DM/210361**

Int. Reg. Date: **Jun. 22, 2020**

Int. Reg. Pub. Date: **Oct. 2, 2020**

(51) **LOC (13) Cl.** **19-06**

(52) **U.S. Cl.**
USPC **D19/166**

(58) **Field of Classification Search**
USPC D19/115–204
CPC B43K 24/03; B43K 23/12; B43K 23/001;
G09B 5/04; G06F 3/03545
See application file for complete search history.

(56) **References Cited**

U.S. PATENT DOCUMENTS

- D325,931 S * 5/1992 Sekiguchi D19/166
- D329,253 S * 9/1992 Sekiguchi D19/165
- D352,524 S * 11/1994 Watanabe D19/75
- D505,977 S * 6/2005 Koreska D19/161
- D507,965 S * 8/2005 Alvino D9/727
- D597,133 S * 7/2009 Hung D19/166
- D607,052 S * 12/2009 Siegel D19/166

- D609,273 S * 2/2010 Koreska D19/124
- D628,631 S * 12/2010 Liu D19/166
- D667,873 S * 9/2012 Shi D19/166
- D695,825 S * 12/2013 Jiang D19/163
- D699,288 S * 2/2014 Jiang D19/163
- D707,351 S * 6/2014 Kunze D24/112
- D728,688 S * 5/2015 Hung D19/166
- D831,113 S * 10/2018 Copier D19/166
- D831,744 S * 10/2018 Copier D19/166

* cited by examiner

Primary Examiner — Khawaja Anwar

(57) **CLAIM**

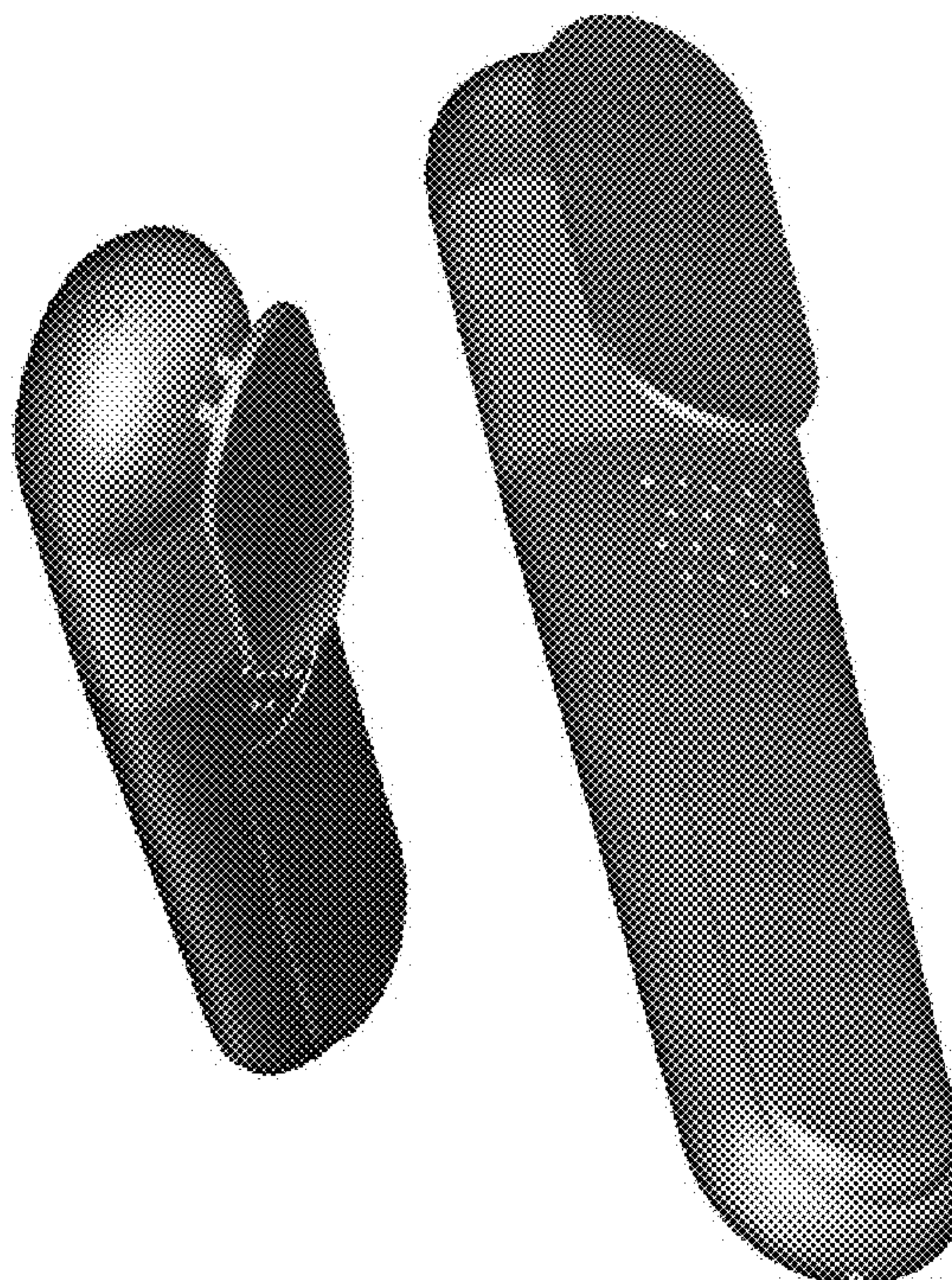
The ornamental design for marker with cap, as shown and described.

DESCRIPTION

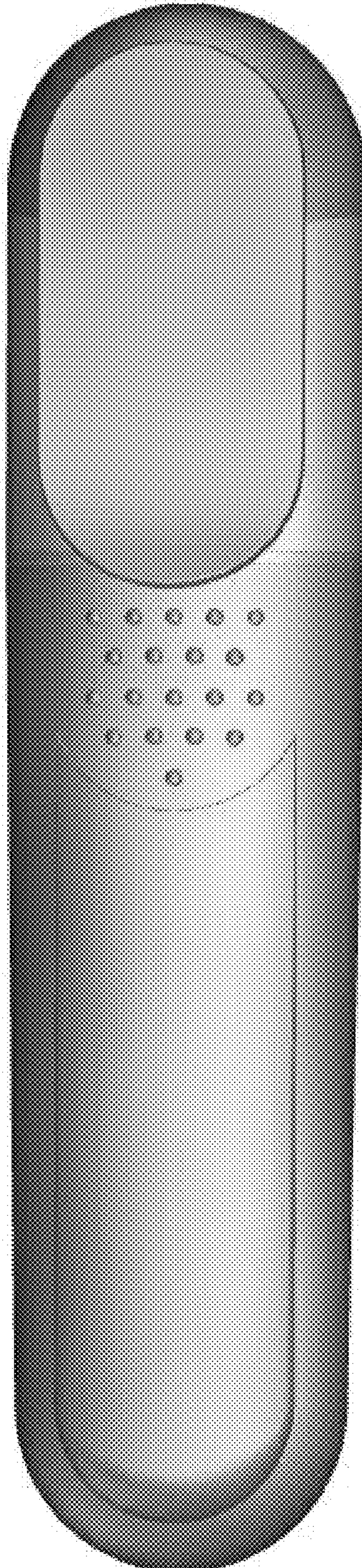
The patent or application file contains at least one drawing executed in color. Copies of this patent or patent application publication with color drawing(s) will be provided by the Office upon request and payment of the necessary fee.

- 1. Marker with cap
 - 1.1 : Front
 - 1.2 : Perspective
 - 1.3 : Back
 - 1.4 : Top
 - 1.5 : Perspective
 - 1.6 : Left
 - 1.7 : Right
 - 1.8 : Perspective
- Marker with a cap.

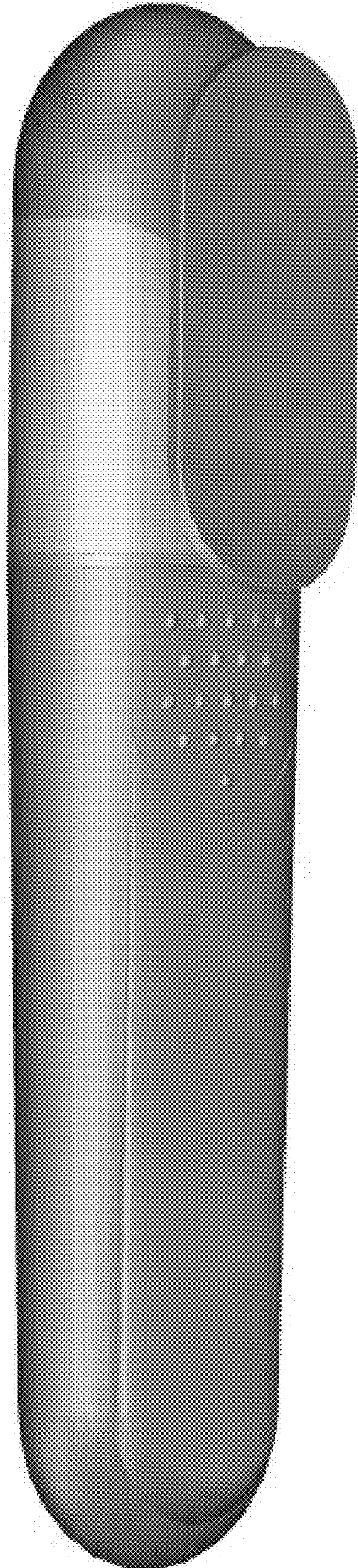
1 Claim, 8 Drawing Sheets
(8 of 8 Drawing Sheet(s) Filed in Color)



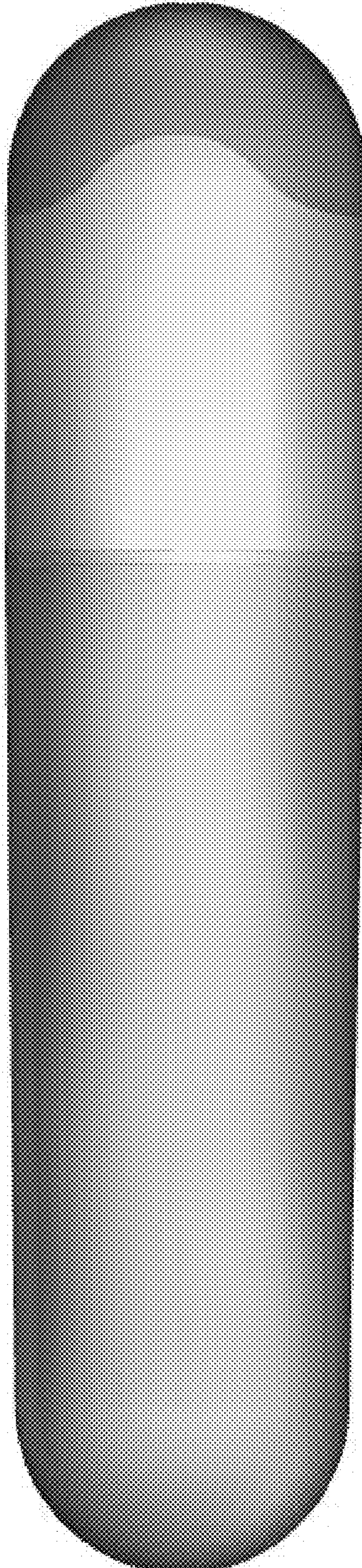
1.1



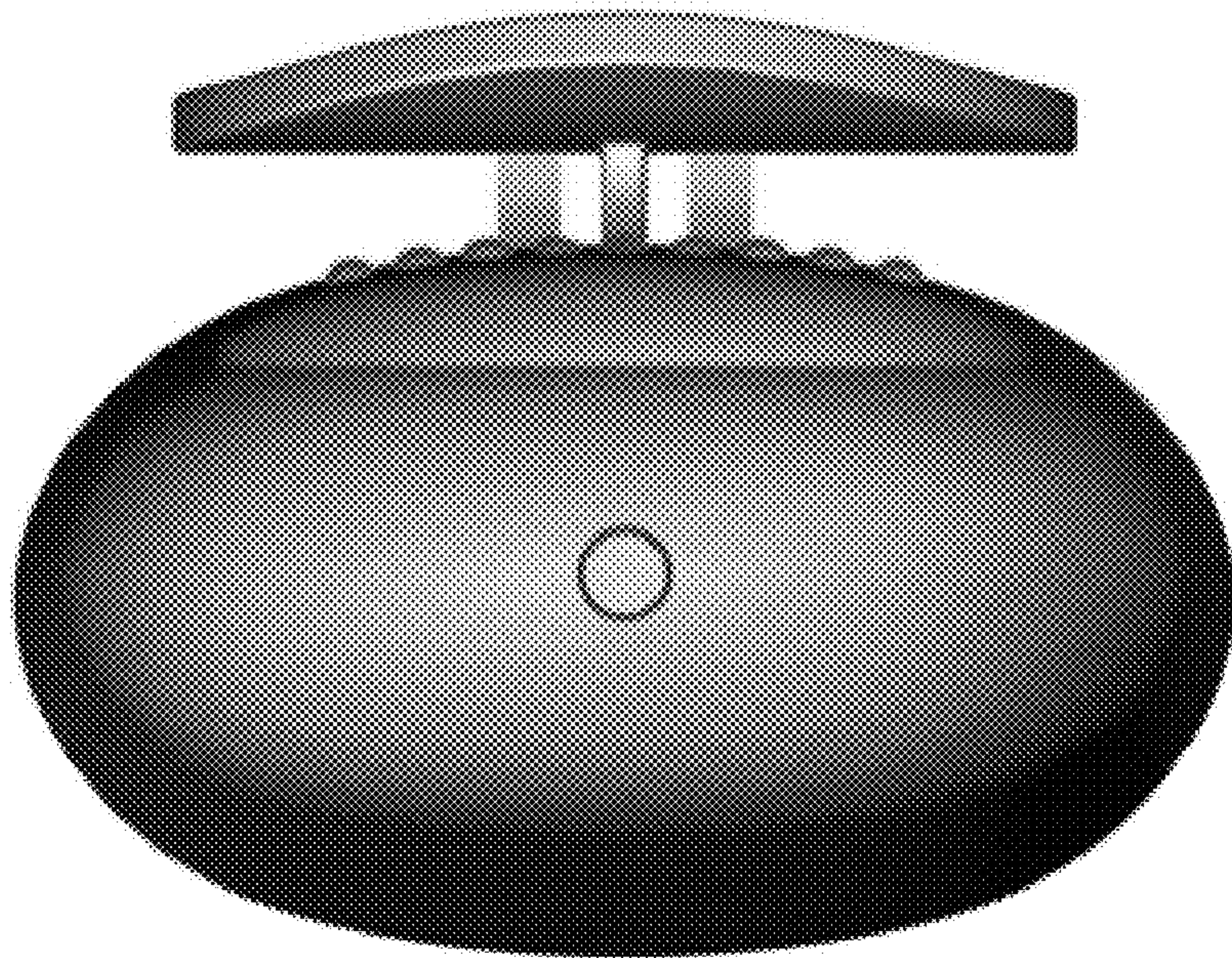
1.2



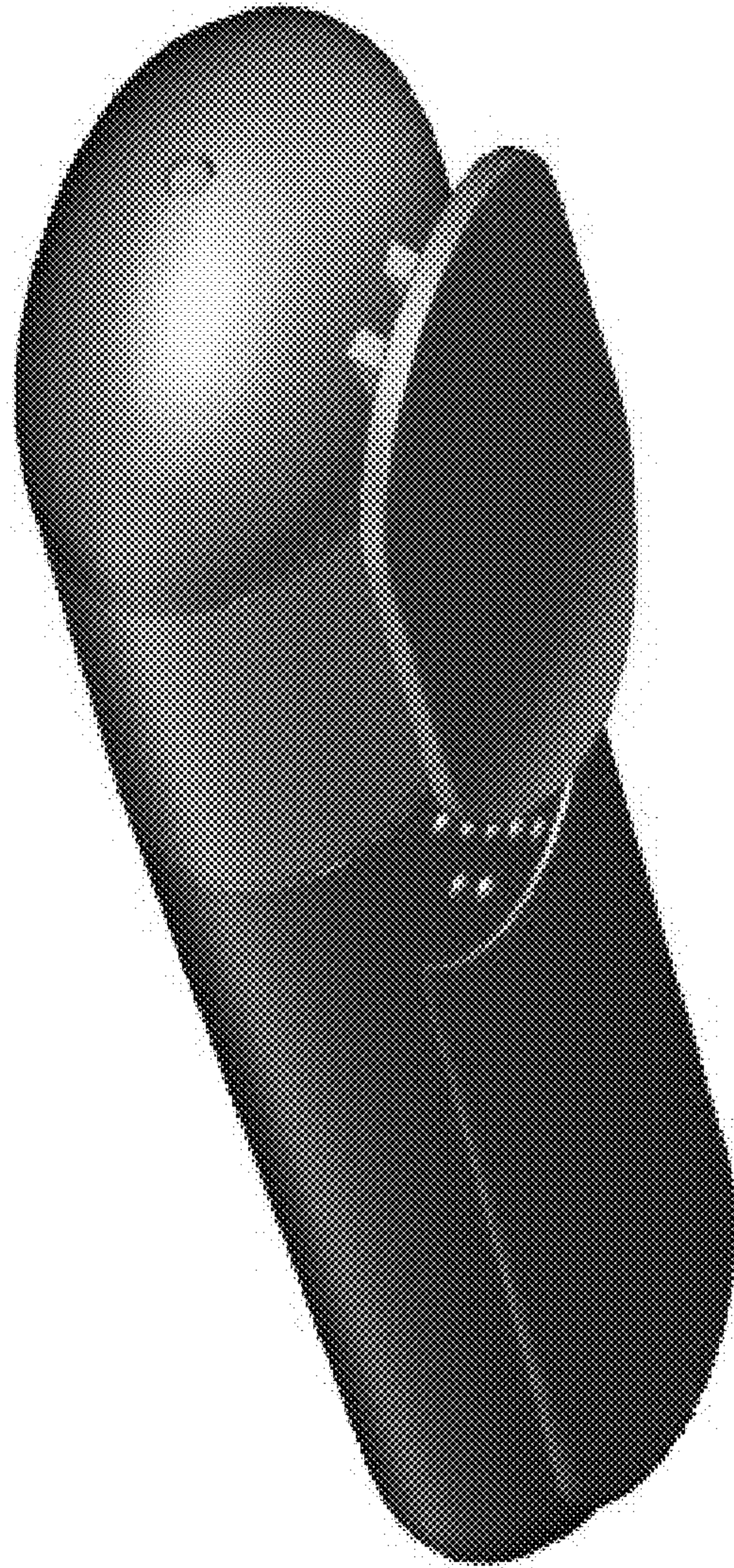
1.3



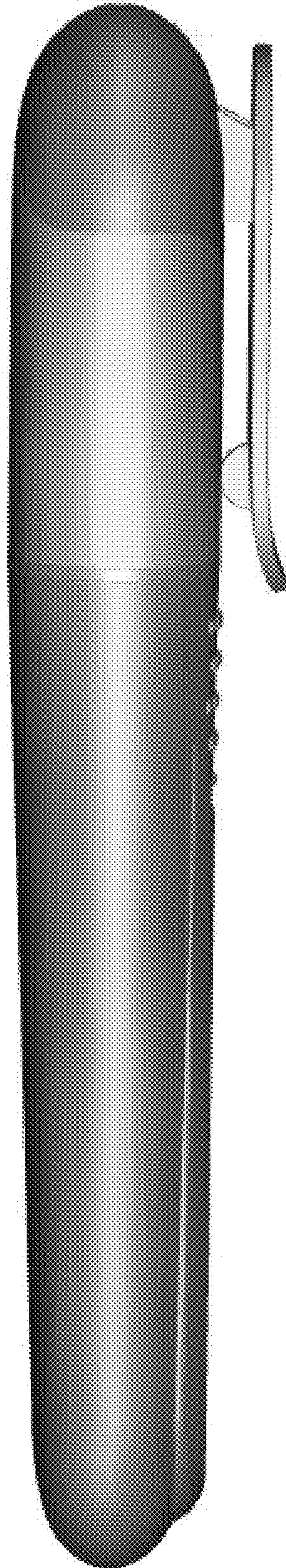
1.4



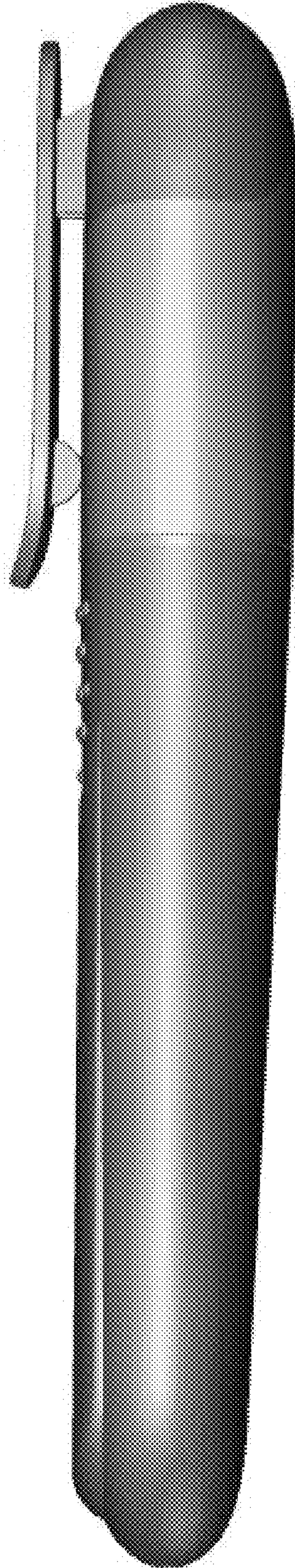
1.5



1.6



1.7



1.8

