



US00D943022S

(12) **United States Design Patent** (10) **Patent No.:** **US D943,022 S**
Patel (45) **Date of Patent:** **** Feb. 8, 2022**

(54) **AUTOMATIC CONTINUOUS BOOK CUTTING APPARATUS WITH STOPPING MECHANISM**

(71) Applicant: **Udaykumar Chhabildas Patel**,
Ahmedabad (IN)

(72) Inventor: **Udaykumar Chhabildas Patel**,
Ahmedabad (IN)

(**) Term: **15 Years**

(21) Appl. No.: **29/698,890**

(22) Filed: **Jul. 21, 2019**

Related U.S. Application Data

(63) Continuation-in-part of application No. 29/593,501,
filed on Feb. 9, 2017, now abandoned.

(51) **LOC (13) Cl.** **18-04**

(52) **U.S. Cl.**
USPC **D18/34.2**

(58) **Field of Classification Search**

USPC D18/34.1, 34.2, 34.3, 34.4, 34.5, 34.6,
D18/34.7, 34.8, 34.9, 50, 53; D15/127
CPC B26D 2007/005; B26D 2007/0087; B26D
2001/0053; B26D 1/025; B26D 1/035;
B26D 1/045; B26D 1/065; B26D 1/08;
B26D 1/085; B26D 1/10; B26D 1/105;
B26D 1/125; B26D 1/147; B26D 1/1475;
B26D 1/15; B26D 1/151; B26D 1/153;
B26D 1/1535; B26D 1/185; B26D 1/305;
B26D 1/34; B26D 1/345; B26D 1/36;
B26D 1/365; B26D 1/385; B26D 1/38;
B26D

(Continued)

(56) **References Cited**

U.S. PATENT DOCUMENTS

D192,265 S * 2/1962 Crowle D15/128
3,125,887 A * 3/1964 Bouvier B42B 5/103
74/20

(Continued)

FOREIGN PATENT DOCUMENTS

CN 303655835 * 4/2016
EM 000462510-0003 * 5/2006

(Continued)

OTHER PUBLICATIONS

Global sources. Link: <https://www.globalsources.com/si/AS/Jinhua-Gaobo/6008851367634/pdtl/Full-automatic-book-cutting-machine/1150900456.htm>. Visited Nov. 4, 2021. Full automatic book cutting machine. (Year: 2021).*

(Continued)

Primary Examiner — Lauren D McVey

(74) *Attorney, Agent, or Firm* — Michael E. Zall

(57) **CLAIM**

I claim the ornamental design for an automatic continuous book cutting apparatus with stopping mechanism, as shown and described.

DESCRIPTION

FIG. 1 is a right side view of my new design for an automatic continuous book cutting apparatus with stopping mechanism.

FIG. 2 is a left side view of my new design for the automatic continuous book cutting apparatus.

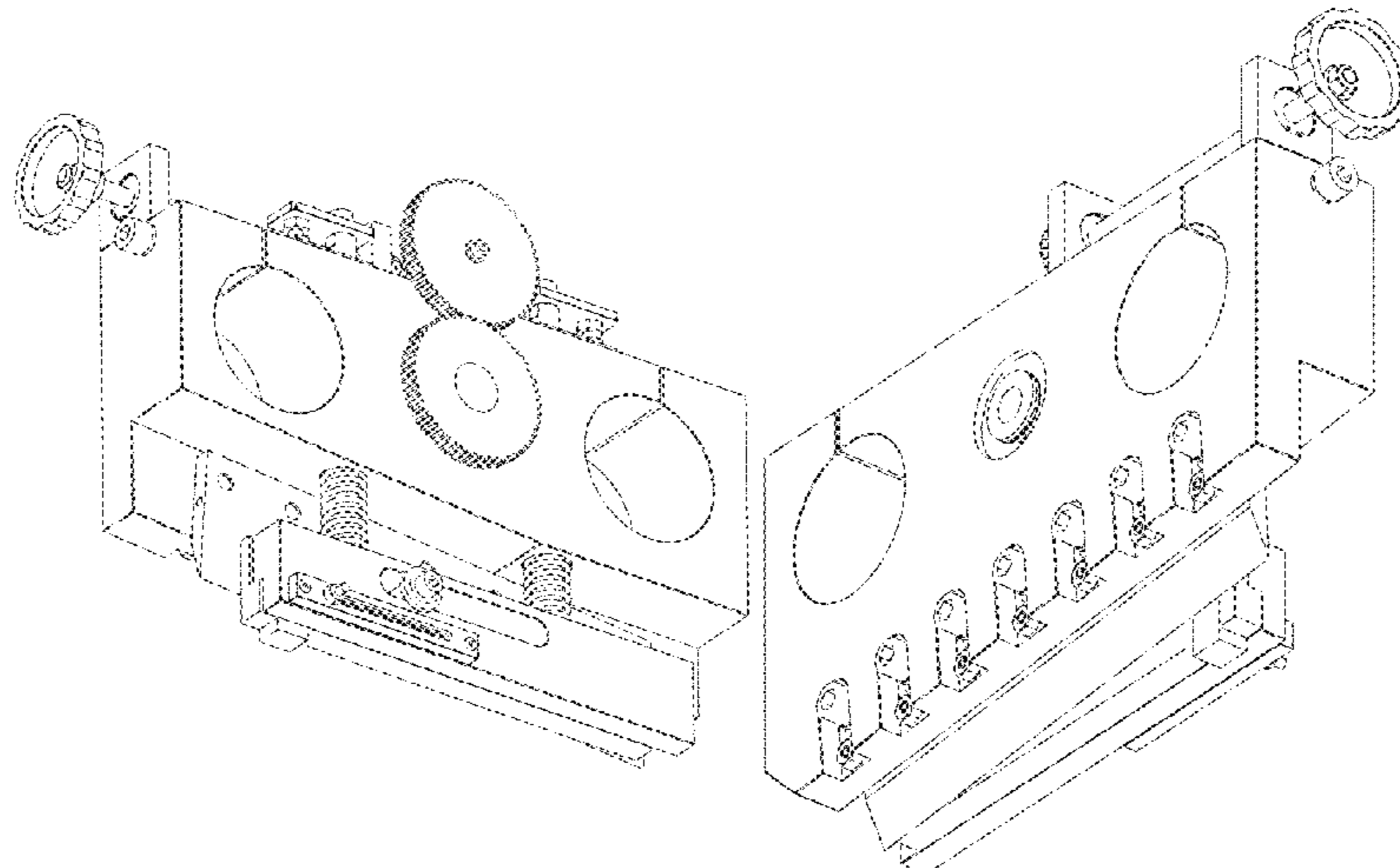
FIG. 3 is top view of my new design for the automatic continuous book cutting apparatus.

FIG. 4 is a bottom view of my new design for the automatic continuous book cutting apparatus.

FIG. 5 is a perspective view from the right side, rear and bottom of my new design for the automatic continuous book cutting apparatus; and,

FIG. 6 is a perspective view from the right side, front and bottom of my new design for the automatic continuous book cutting apparatus.

1 Claim, 6 Drawing Sheets



(58) **Field of Classification Search**

CPC . 1/56; B26D 1/565; B26D 1/58; B26D 1/585;
B26D 5/083; B26D 7/015; B26D 7/025;
B26D 7/22; B26D 5/16; B26D 1/0006;
B26D 7/2614; B23D 35/008; Y10T
83/7763; Y10T 83/8822; Y10T 83/885;
Y10T 83/8851; Y10T 83/7507; Y10T
83/8874; Y10T 83/8814; Y10T 83/9493;
Y10T 83/7533; Y10T 83/8821; Y10T
83/828; Y10T 83/872; Y10T 83/8841;
Y10S 83/955

See application file for complete search history.

(56)

References Cited

U.S. PATENT DOCUMENTS

D261,529 S * 10/1981 Hausmann D18/34.2
D261,530 S * 10/1981 Hausmann D18/34.2
D272,911 S * 3/1984 Bolton D15/127
4,872,796 A * 10/1989 Hsieh B42B 5/103
412/16
D369,179 S * 4/1996 Botta D18/34.2

D383,159 S * 9/1997 Yoshikado D18/34.2
D423,039 S * 4/2000 Cox D18/34.2
D483,798 S * 12/2003 Knight D18/34.2
7,314,340 B2 * 1/2008 Chiang B42B 5/103
412/33
D667,869 S * 9/2012 Huotari D18/34.1
D752,133 S * 3/2016 Imai D18/34.7

FOREIGN PATENT DOCUMENTS

EP 2633760 A1 * 9/2013 A21C 5/00
IN 309103-0001 * 2/2019
WO WO-2017199277 A1 * 11/2017 B42C 9/0018

OTHER PUBLICATIONS

Alibaba. Link: https://www.alibaba.com/product-detail/Guillotine-Paper-Cutter-Paper-Cutter-Machine_62114232585.html?spm=a2700.galleryofferlist.normal_offer.d_title.327d6f300Lmybs&s=p. Visited Nov. 4, 2021. E Series Hydraulic Computerized Guillotine Paper Trimmer Machine Paper Cutter for Paper Stackers. (Year: 2021).*

* cited by examiner

FIG. 1

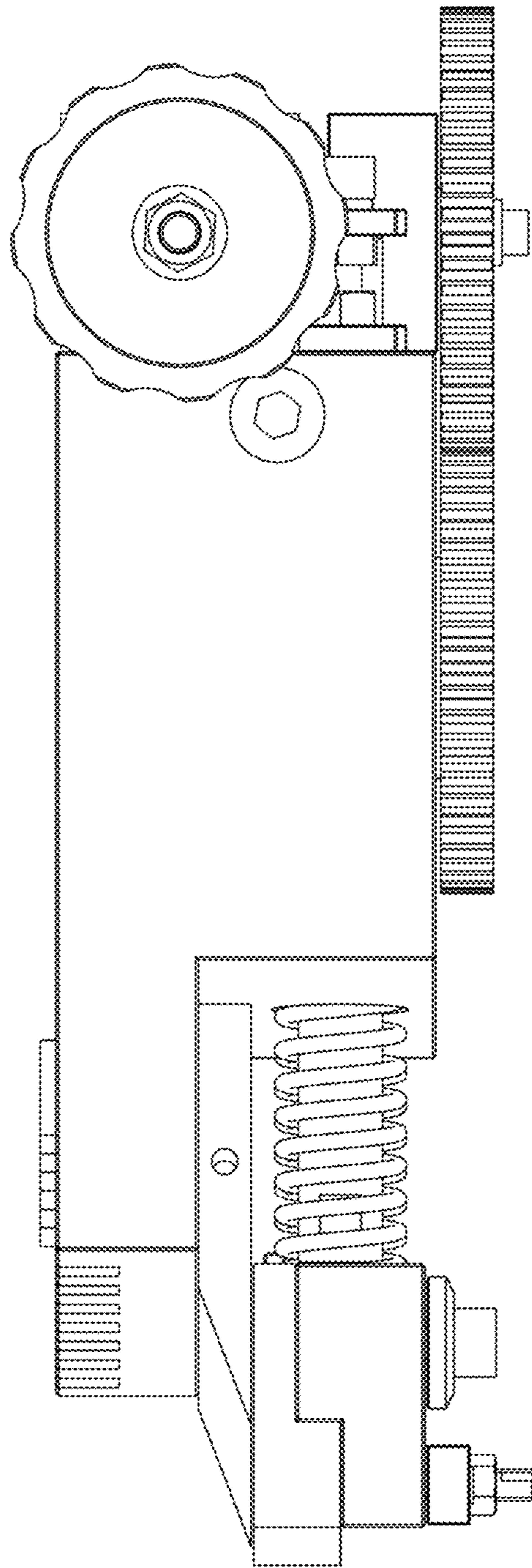


FIG. 2

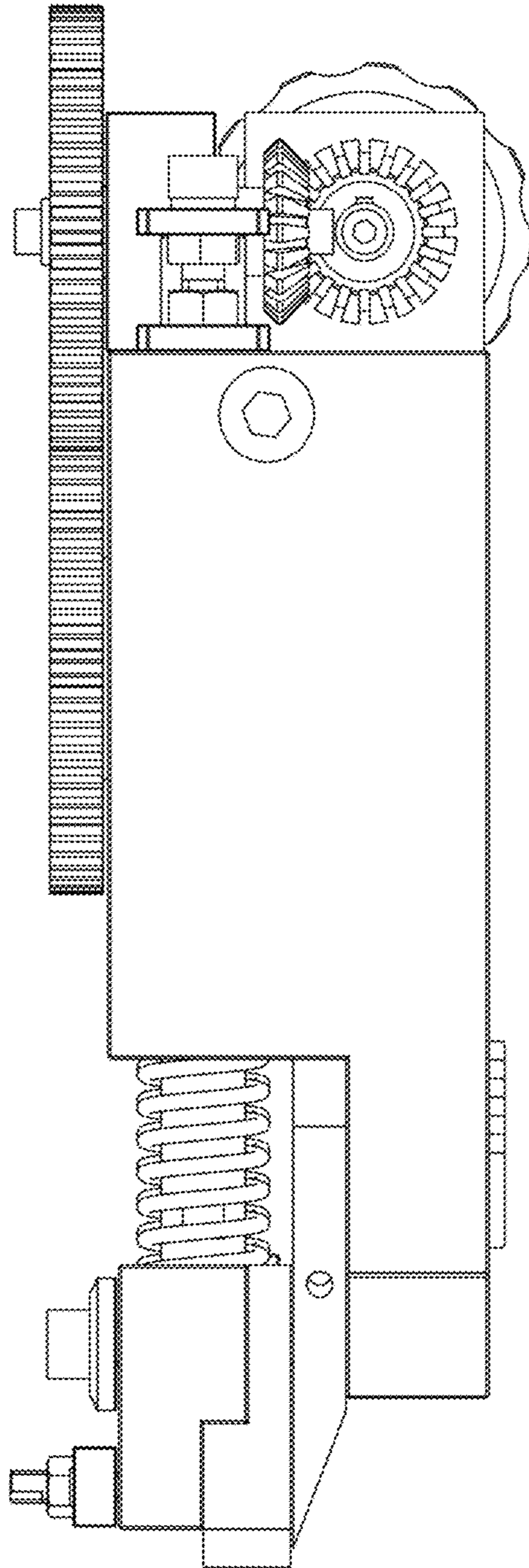


FIG. 3

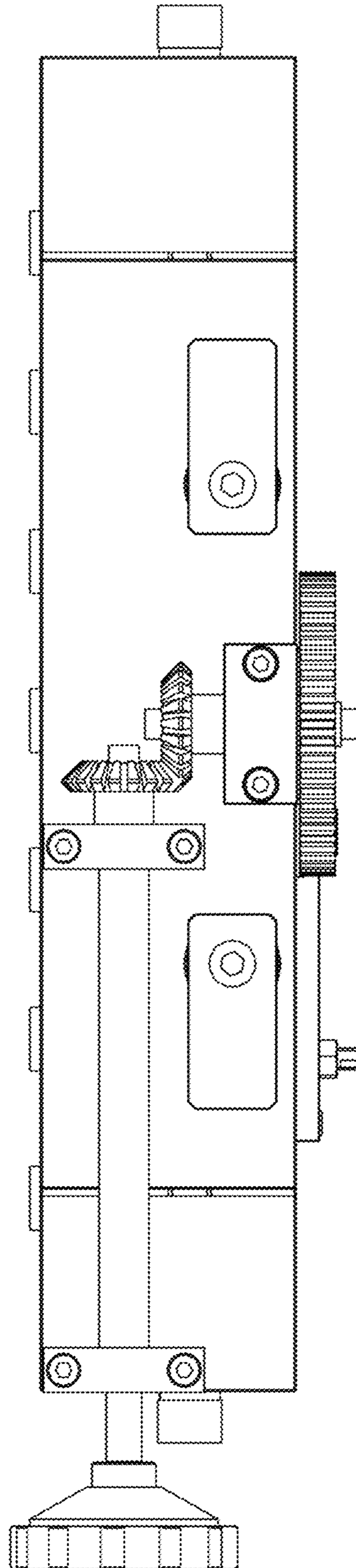


FIG. 4

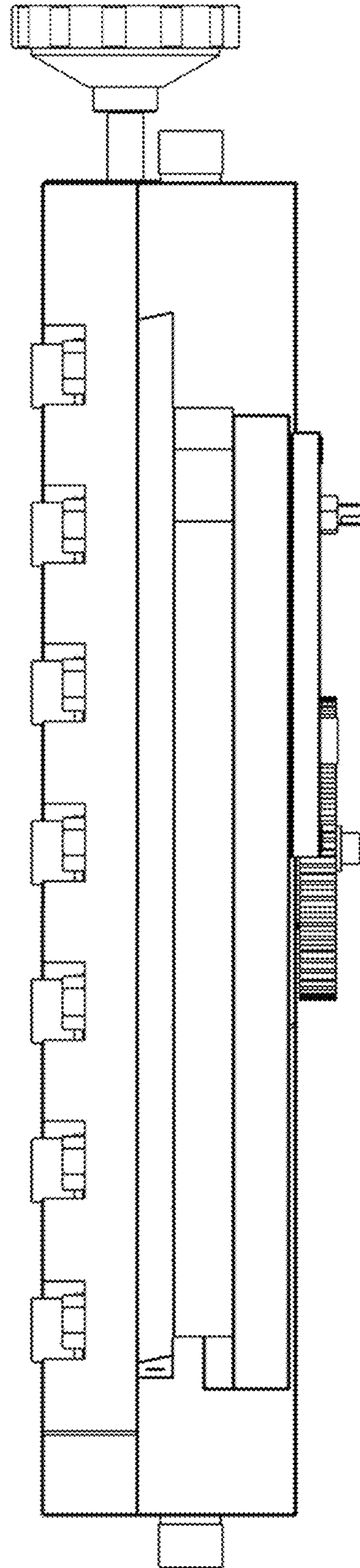


FIG. 5

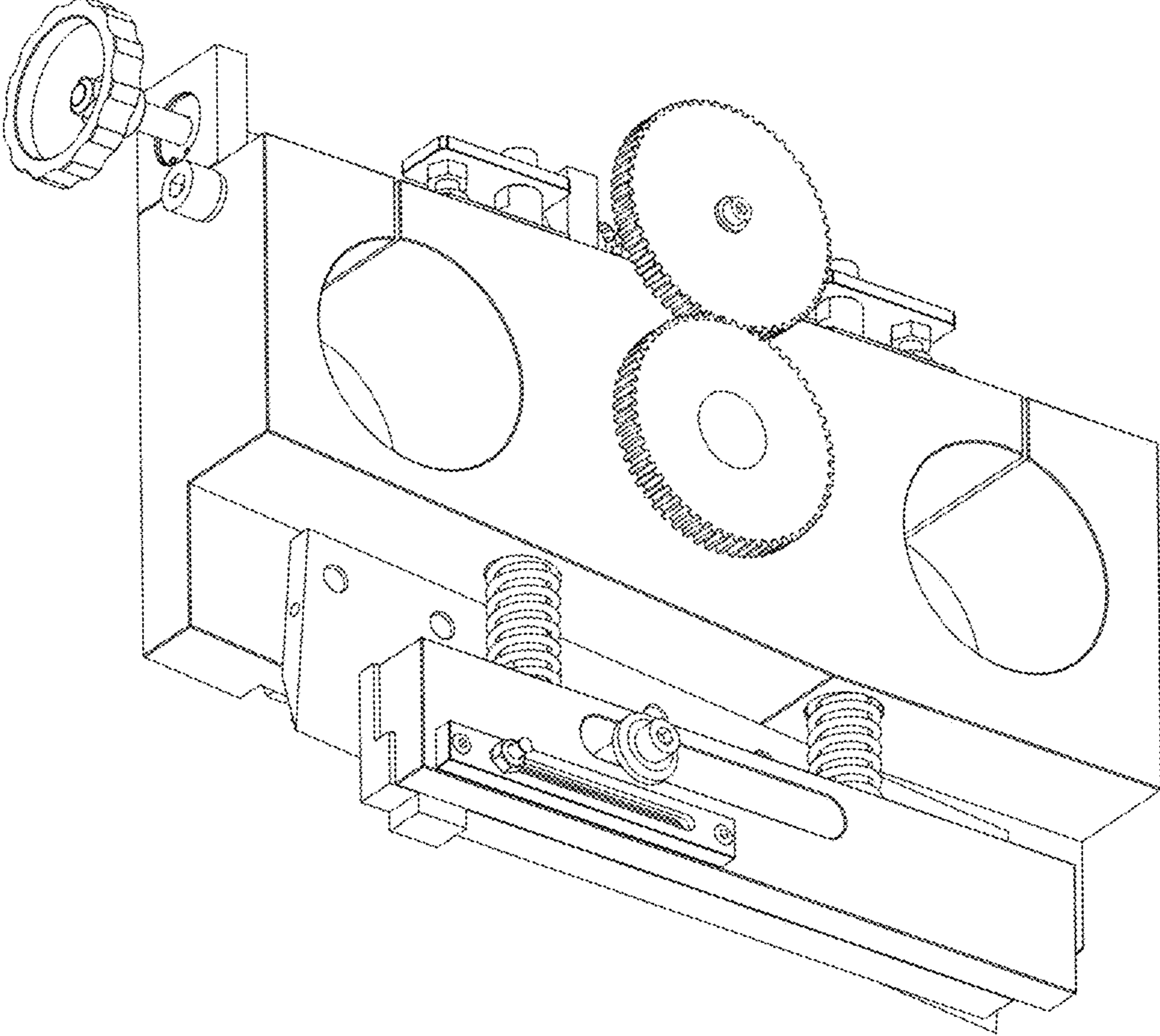


FIG. 6

