



US00D943019S

(12) **United States Design Patent** (10) **Patent No.:** **US D943,019 S**
Lee (45) **Date of Patent:** **** Feb. 8, 2022**

(54) **CAR VIDEO RECORDER CRADLE**

(71) Applicant: **THINKWARE CORPORATION,**
Seongnam-si (KR)

(72) Inventor: **Yong Lee,** Seongnam-si (KR)

(73) Assignee: **THINKWARE CORPORATION,**
Seongnam-si (KR)

(**) Term: **15 Years**

(21) Appl. No.: **29/725,691**

(22) Filed: **Feb. 26, 2020**

(30) **Foreign Application Priority Data**

Aug. 27, 2019 (KR) 30-2019-0040868

(51) **LOC (13) Cl.** **16-05**

(52) **U.S. Cl.**
USPC **D16/242**

(58) **Field of Classification Search**
USPC D16/219, 237-250; D8/303, 307, 354,
D8/355, 363, 373, 382-383, 394-396;
D14/224, 229, 238, 251, 253, 447, 451,
D14/457
CPC A45F 5/00; A45F 5/10; F16M 11/06-10;
F16M 11/14; G02B 7/00-002; G03B
17/56; G03B 17/561-566; H04N
5/2253-2254
See application file for complete search history.

(56) **References Cited**

U.S. PATENT DOCUMENTS

D379,819 S * 6/1997 Kelley D14/253
D515,609 S * 2/2006 Heatherly D16/202
D735,170 S * 7/2015 Colvin D14/224
9,304,376 B2 * 4/2016 Anderson G03B 17/565
D813,241 S * 3/2018 Wengreen D14/434
D822,745 S * 7/2018 Shang D16/208

D848,508 S * 5/2019 Hsu D16/218
D889,528 S * 7/2020 Kowalski D16/242
D902,583 S * 11/2020 Thomas D3/222
D907,012 S * 1/2021 Bell D14/224
D907,104 S * 1/2021 Zajac D16/242
D908,779 S * 1/2021 Lenihan D16/242
2012/0106944 A1 * 5/2012 Johnson H01G 9/0425
396/428
2013/0188943 A1 * 7/2013 Wu G03B 17/17
396/419

OTHER PUBLICATIONS

U1000 Front + Rear Dash Cam Bundle. [online] Retrieved Jun. 16, 2021 from <https://us.thinkware.com/product-page/u1000-front-rear-dash-cam-bundle/>.*

* cited by examiner

Primary Examiner — Vy N Koenig

(74) *Attorney, Agent, or Firm* — Saliwanchik, Lloyd & Eisenschenk

(57) **CLAIM**

The ornamental design for a car video recorder cradle, as shown and described.

DESCRIPTION

FIG. 1 is a top perspective view of a car video recorder cradle showing my new design; FIG. 2 is a front view thereof; FIG. 3 is a rear view thereof; FIG. 4 is a left side view thereof; FIG. 5 is a right side view thereof; FIG. 6 is a top view thereof; FIG. 7 is a bottom view thereof; and, FIG. 8 is a bottom perspective view thereof. The broken lines in the drawings depict portions of the car video recorder cradle that form no part of the claimed design.

1 Claim, 8 Drawing Sheets

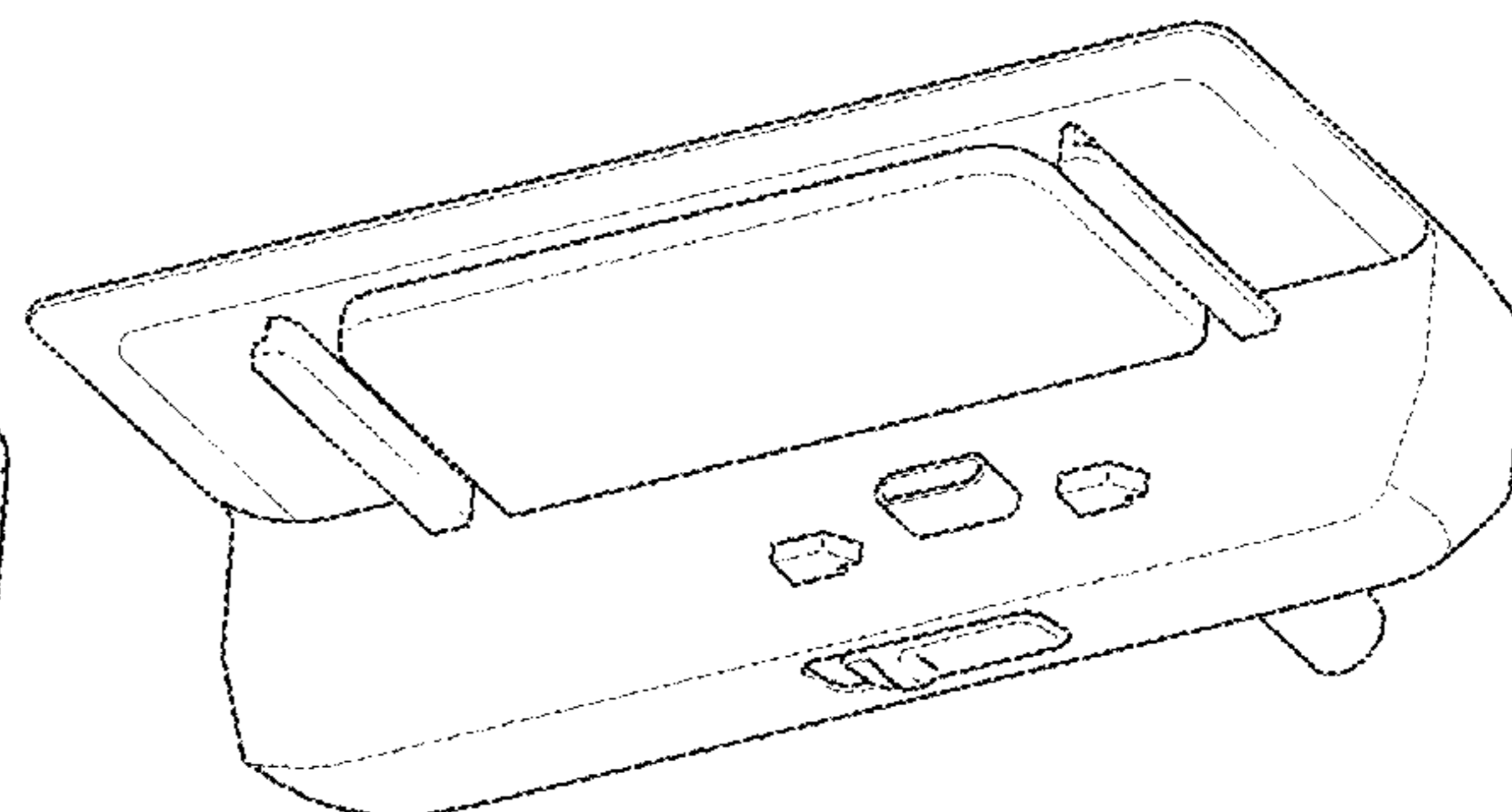
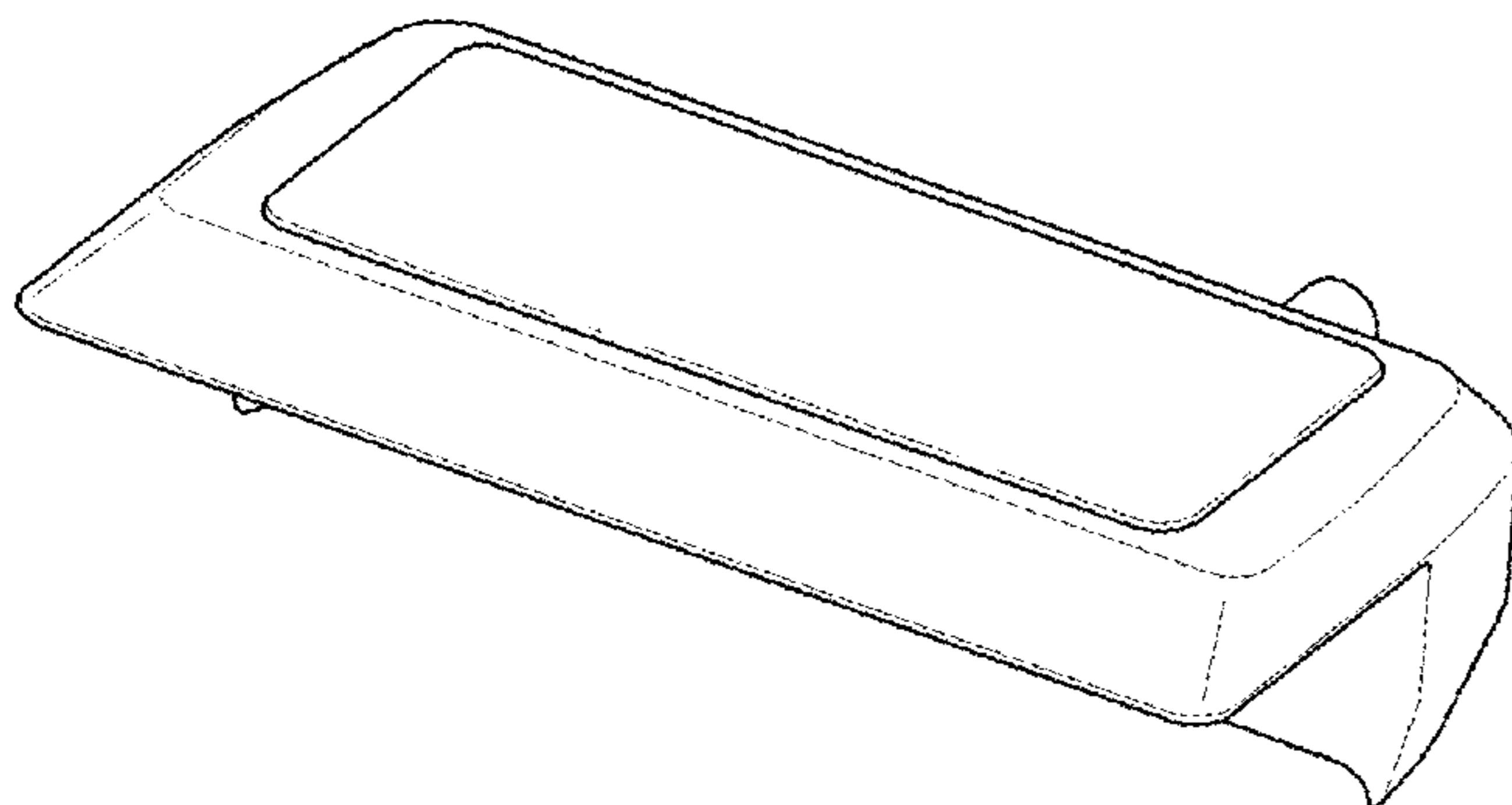


FIG. 1

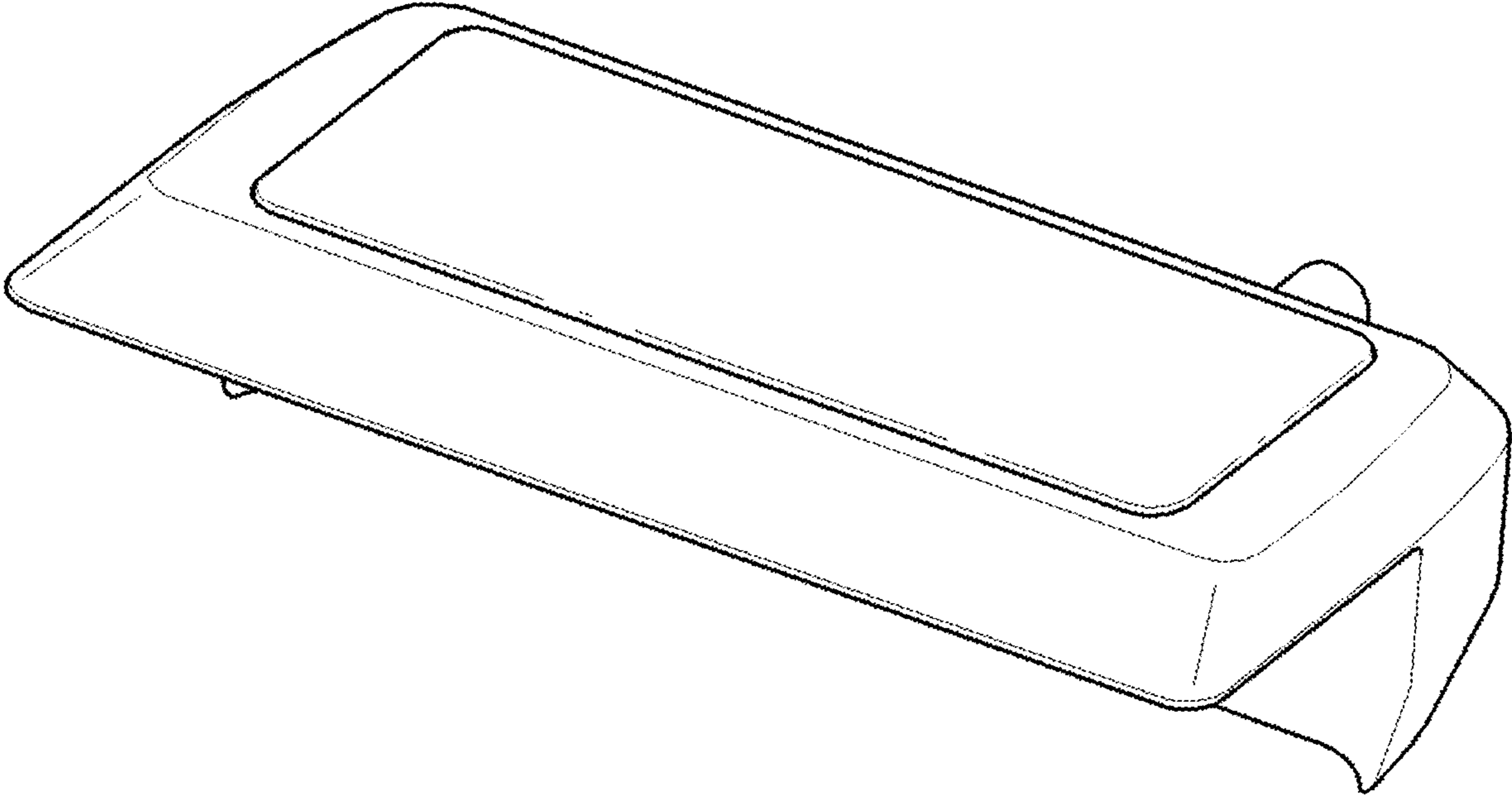


FIG. 2

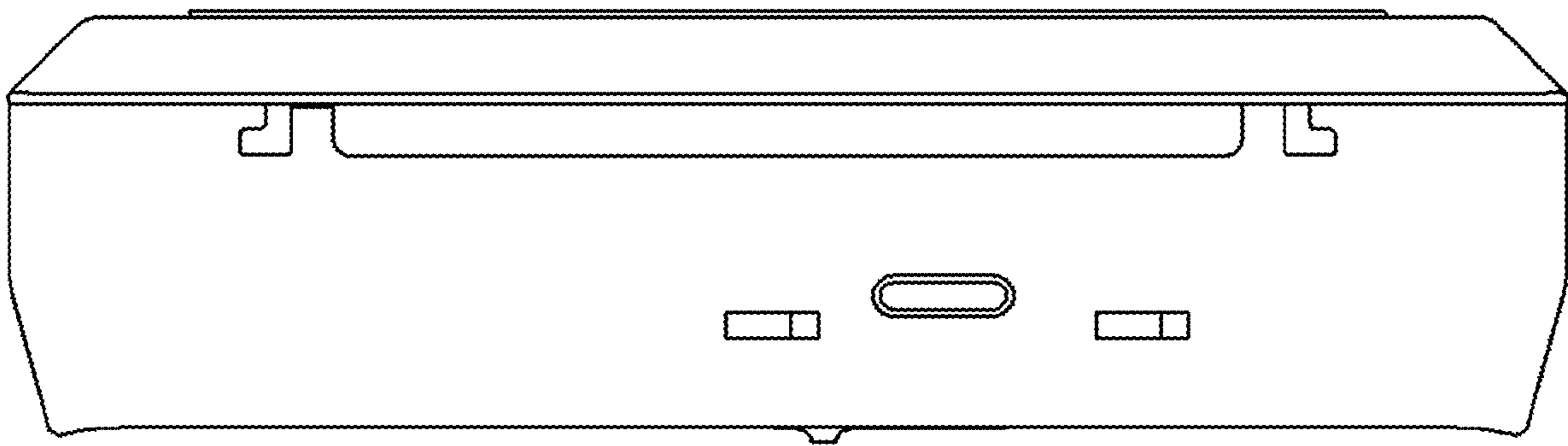


FIG. 3

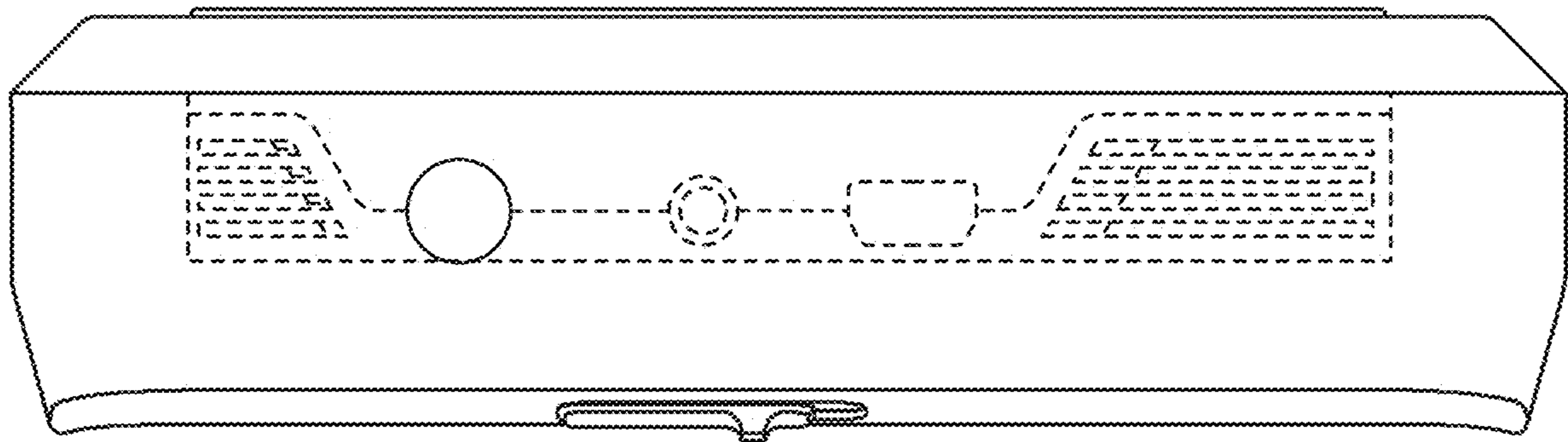


FIG. 4

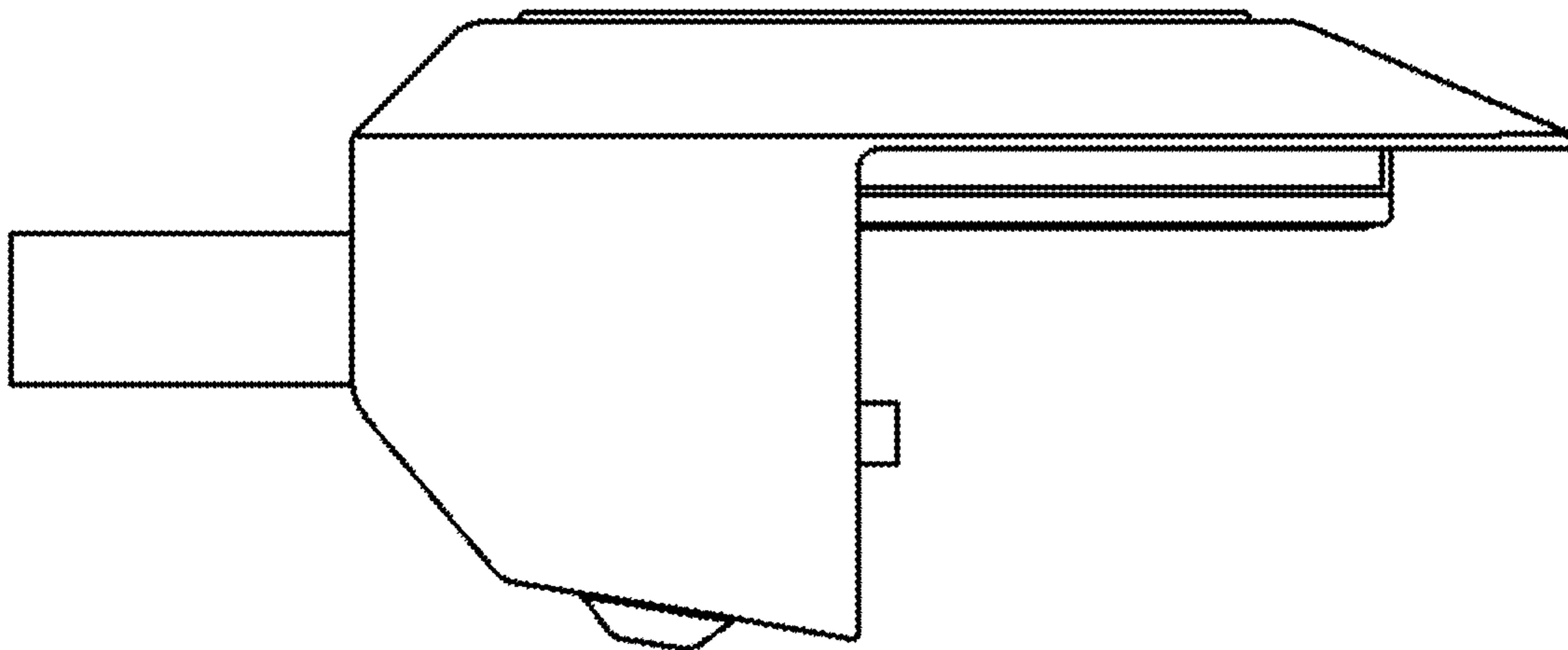


FIG. 5

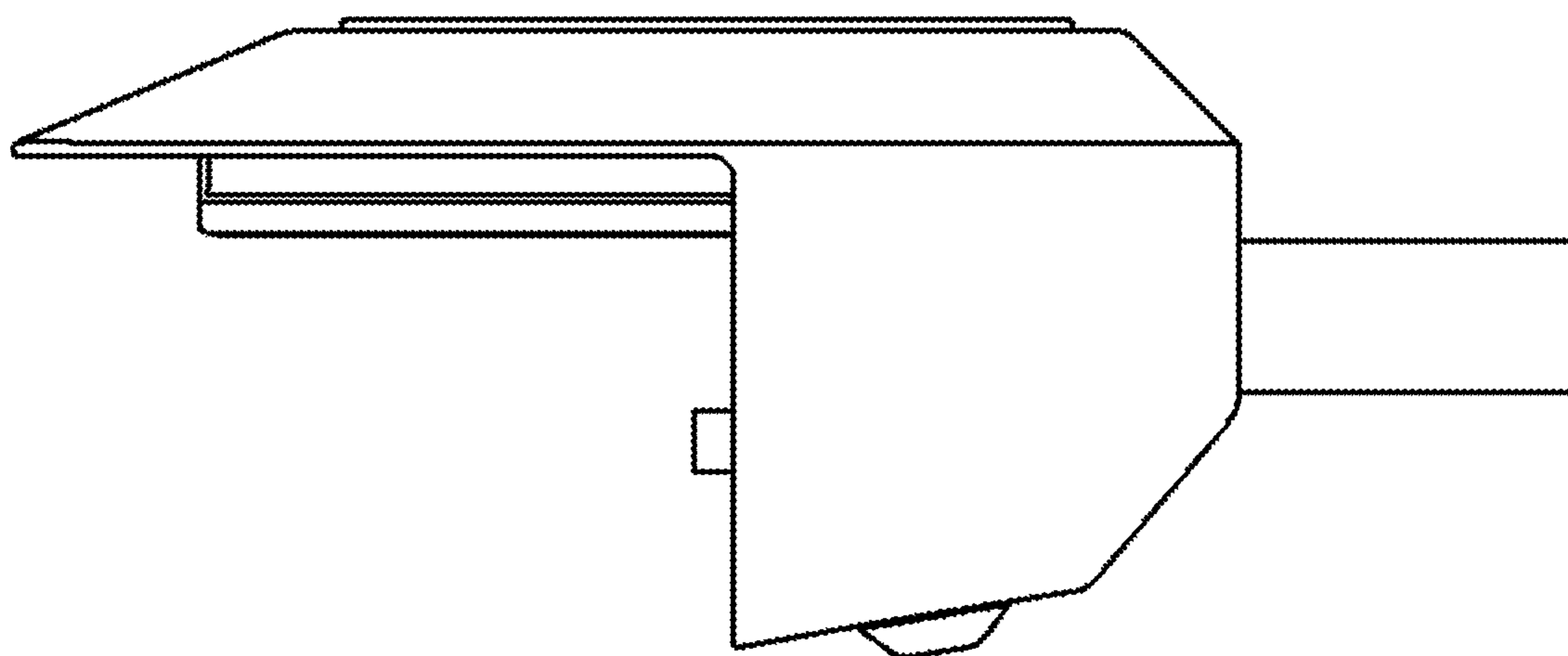


FIG. 6

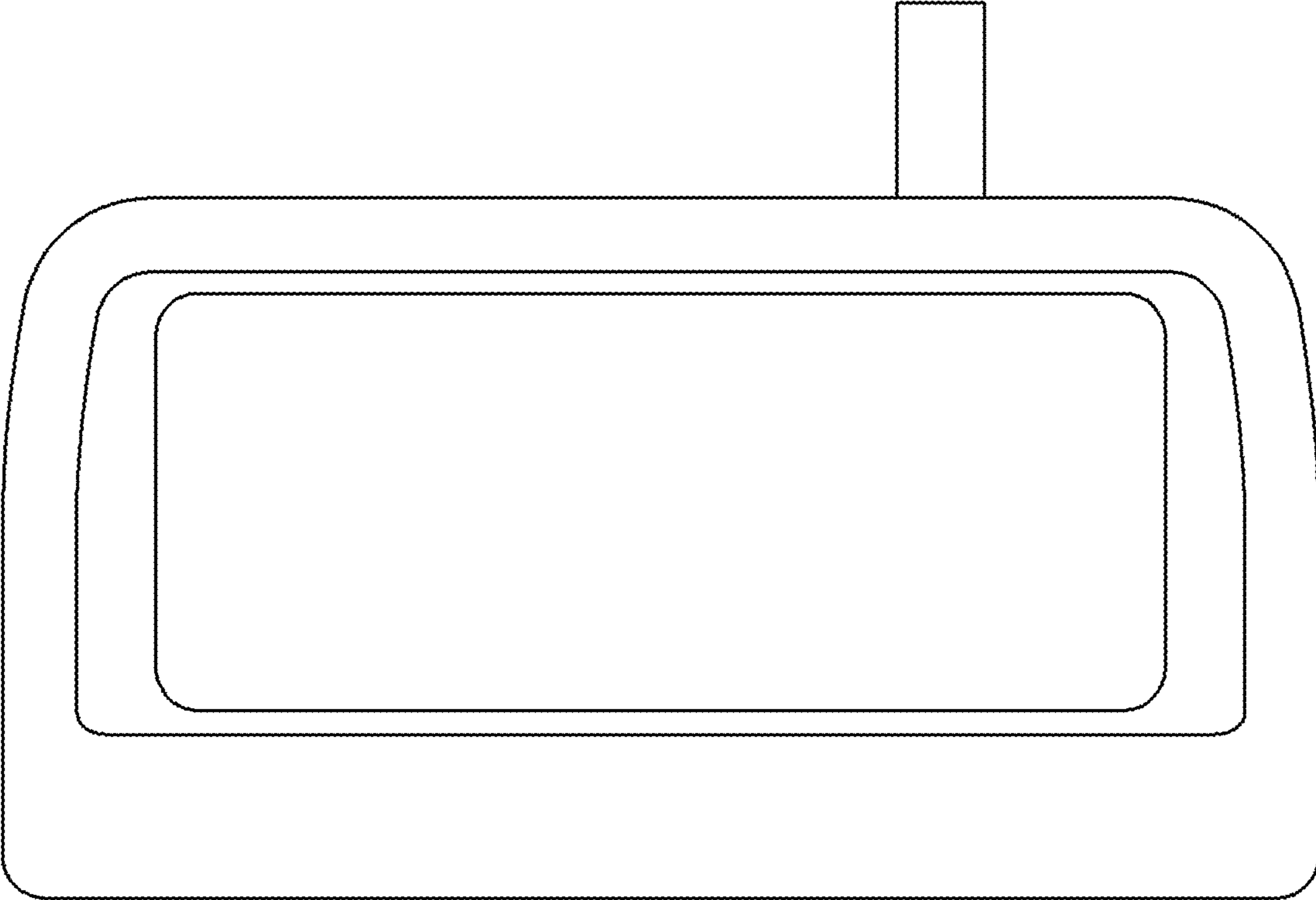


FIG. 7

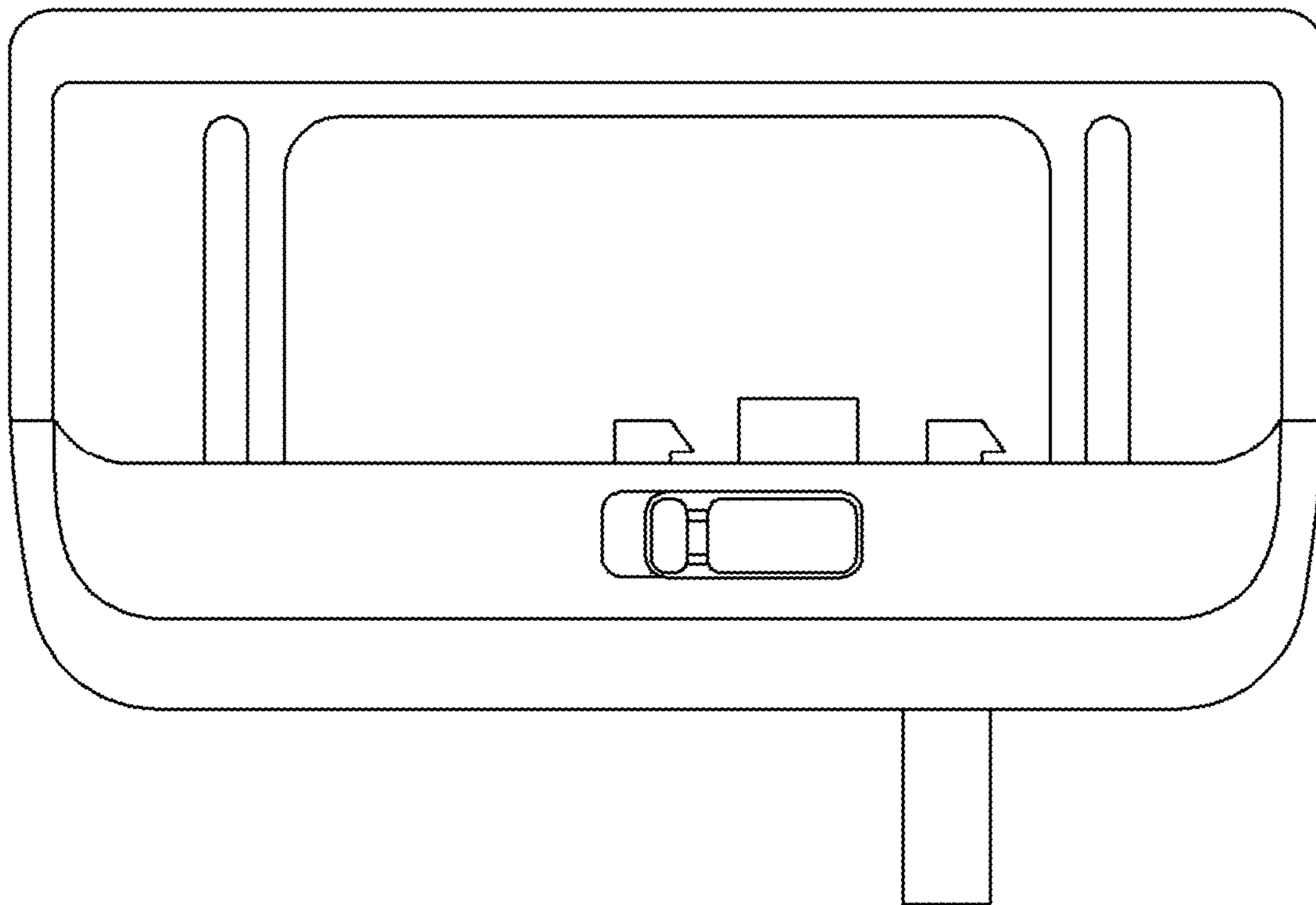


FIG. 8

