



US00D943018S

(12) **United States Design Patent**
Feng

(10) **Patent No.:** **US D943,018 S**

(45) **Date of Patent:** **** Feb. 8, 2022**

(54) **BACKGROUND SUPPORT STAND**

(71) Applicant: **SHENZHEN QISHI TECHNOLOGY CO., LTD.**, Shenzhen (CN)

(72) Inventor: **Yali Feng**, Shenzhen (CN)

(73) Assignee: **SHENZHEN QISHI TECHNOLOGY CO., LTD.**, Shenzhen (CN)

(**) Term: **15 Years**

(21) Appl. No.: **29/760,807**

(22) Filed: **Dec. 4, 2020**

(51) **LOC (13) Cl.** **16-05**

(52) **U.S. Cl.**
USPC **D16/237**; D16/244

(58) **Field of Classification Search**
USPC D16/219, 237–250; D8/303, 307, 354,
D8/355, 363, 373, 382–383, 394–396;
D14/224, 229, 238, 251, 253, 447, 451,
D14/457
CPC A45F 5/00; A45F 5/10; F16M 11/06–10;
F16M 11/14; G02B 7/00–002; G03B
17/56; G03B 17/561–566; H04N
5/2253–2254

See application file for complete search history.

(56) **References Cited**

U.S. PATENT DOCUMENTS

1,662,586 A * 3/1928 Newman G03B 21/58
160/351
2,534,552 A * 12/1950 Heck G03B 21/58
160/24

(Continued)

OTHER PUBLICATIONS

Emart 8.5×10 ft Photo Backdrop Stand, Adjustable Photography Muslin Background Support System Stand for Photo Video Studio.

[online] First available Jul. 26, 2018. Retrieved from URL: <https://www.amazon.com/Backdrop-Adjustable-Photography-Background-Support/dp/B07FY4TVKH>.*

(Continued)

Primary Examiner — Vy N Koenig

(57) **CLAIM**

The ornamental design for a background support stand, as shown and described.

DESCRIPTION

FIG. 1 is a perspective view of a background support stand showing my new design;

FIG. 2 is another perspective view thereof;

FIG. 3 is a front elevational view thereof;

FIG. 4 is a rear elevational view thereof;

FIG. 5 is a left side elevational view thereof;

FIG. 6 is a right side elevational view thereof;

FIG. 7 is a top plan view thereof;

FIG. 8 is a bottom plan view thereof;

FIG. 9 is a perspective view of the background support stand where the background support stand is in a configuration of use;

FIG. 10 is a perspective view of a unilateral stand of the background support stand in a folded state where the unilateral stand is shown separately to reveal aspects of the design that may not be apparent in the other views;

FIG. 11 is an enlarged view of portion 11 shown in FIG. 1;

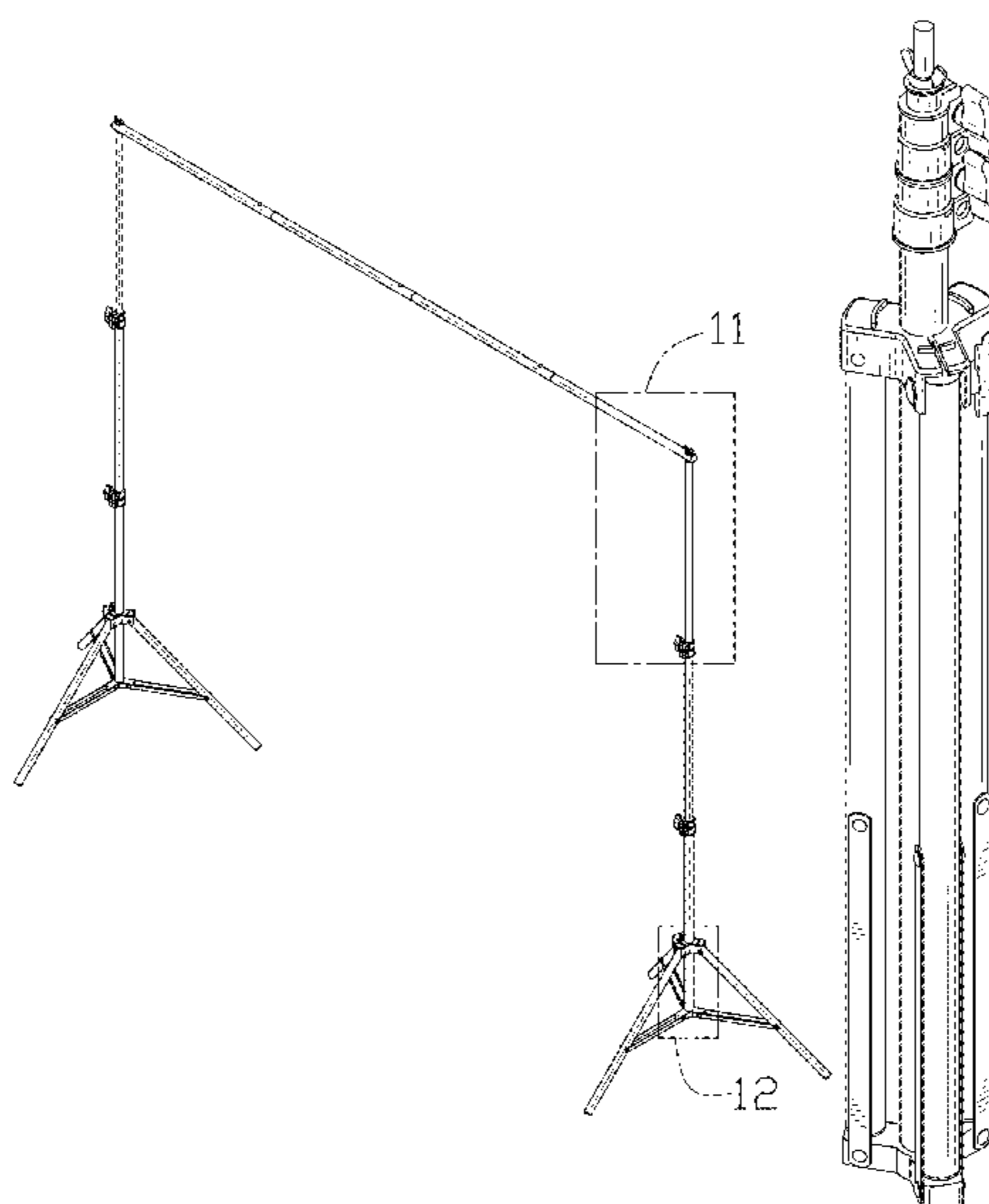
FIG. 12 is an enlarged view of portion 12 shown in FIG. 1;

FIG. 13 is an enlarged view of portion 13 shown in FIG. 2; and,

FIG. 14 is an enlarged view of portion 14 shown in FIG. 8.

The broken lines in FIG. 9 depict environmental structure, specifically a backdrop, and forms no part of the claimed design. The broken lines in FIG. 14 depict portions of the background support stand that form no part of the claimed design.

1 Claim, 14 Drawing Sheets



(56)

References Cited

U.S. PATENT DOCUMENTS

2,793,764 A * 5/1957 Stork A47F 7/24
211/204
7,236,695 B1 6/2007 Demos
9,051,751 B2 * 6/2015 Ogilvie E04H 15/005
D828,057 S * 9/2018 Yaguchi D6/681
D845,376 S * 4/2019 Kim D16/237
D866,201 S * 11/2019 Ogilvie D6/332
D875,266 S * 2/2020 Qiu D24/213
D881,980 S * 4/2020 Zhu D16/237
D898,106 S * 10/2020 Zhao D16/241
10,794,113 B2 * 10/2020 Tapley A47G 5/00
D907,106 S * 1/2021 Li D16/244
D909,456 S * 2/2021 Xiao D16/244
D911,428 S * 2/2021 Xiao D16/244
2005/0200951 A1 * 9/2005 Redmon G03B 21/58
359/443
2020/0209715 A1 7/2020 Christensen

OTHER PUBLICATIONS

AW Backdrop Stand Kit 7×10ft Adjustable Background Support System . . . First available May 27, 2015. Retrieved from URL: <https://www.amazon.com/AW-Adjustable-Photography-Background-Portable/dp/B00YBW9220>.*

* cited by examiner

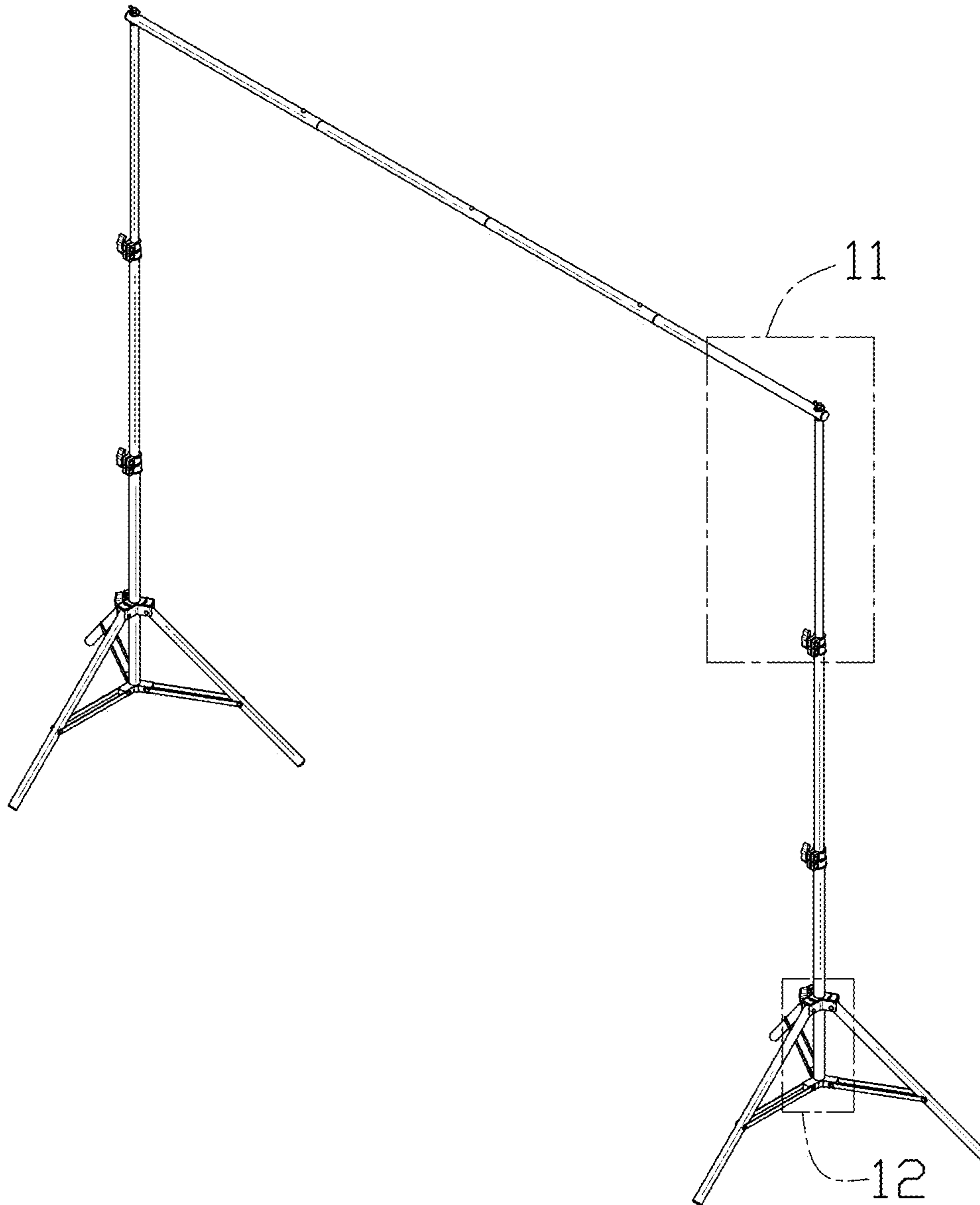


FIG. 1

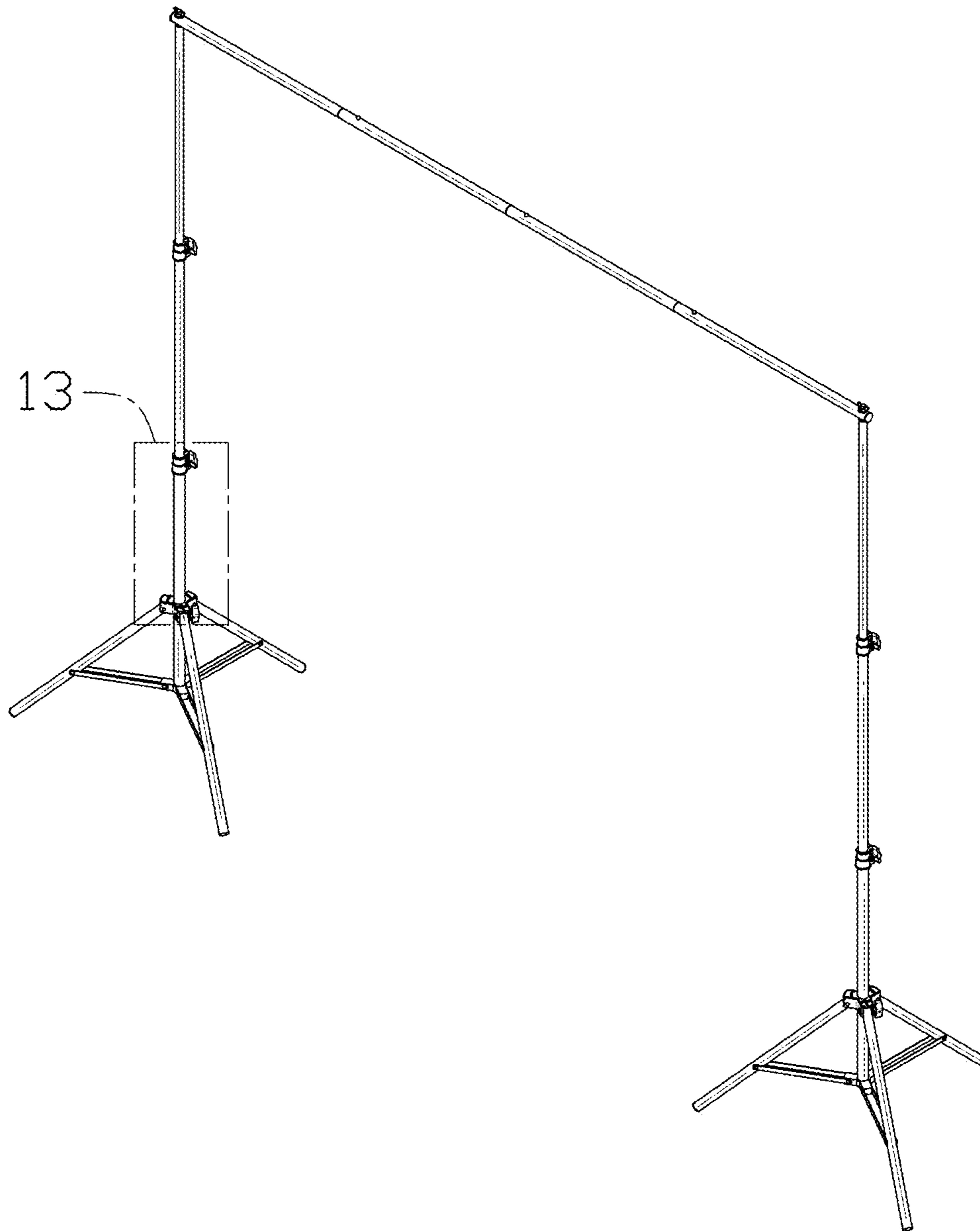


FIG. 2

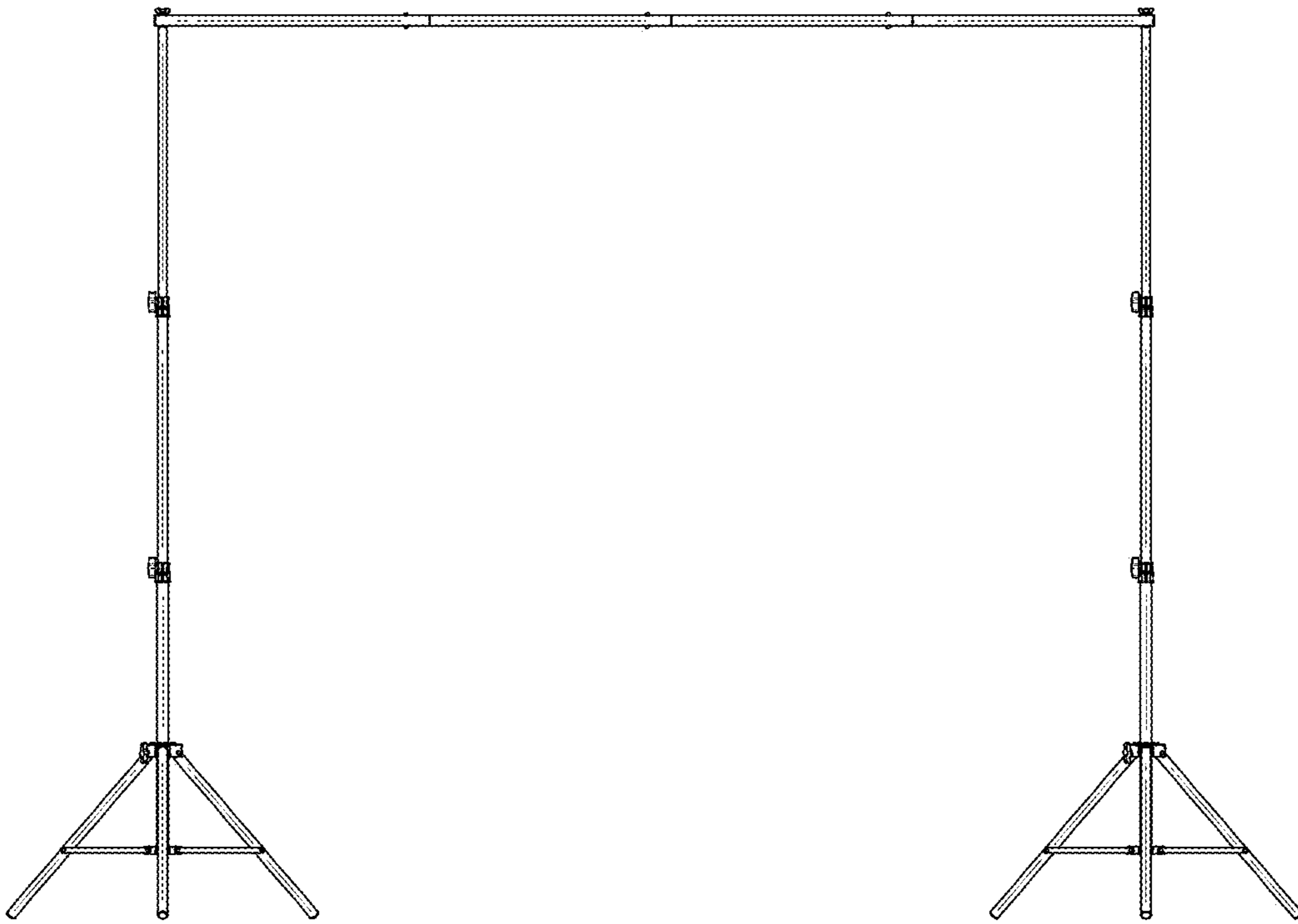


FIG. 3

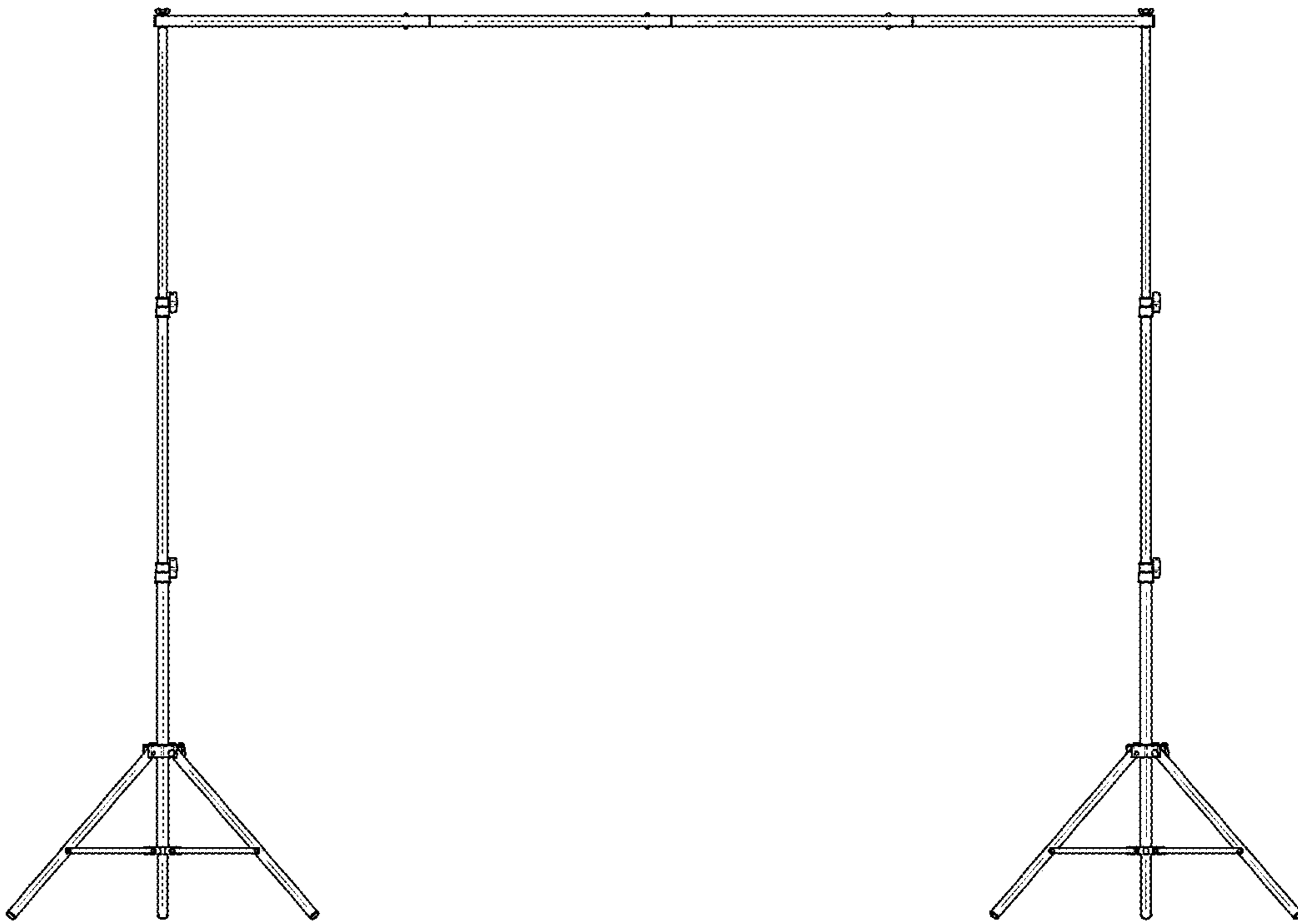


FIG. 4

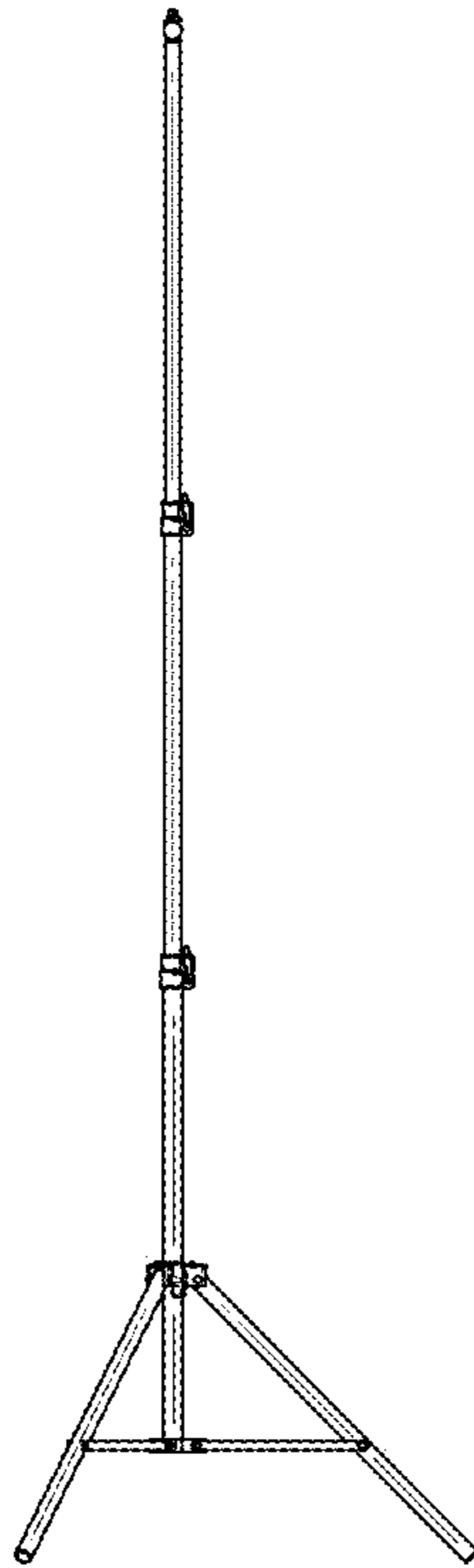


FIG. 5

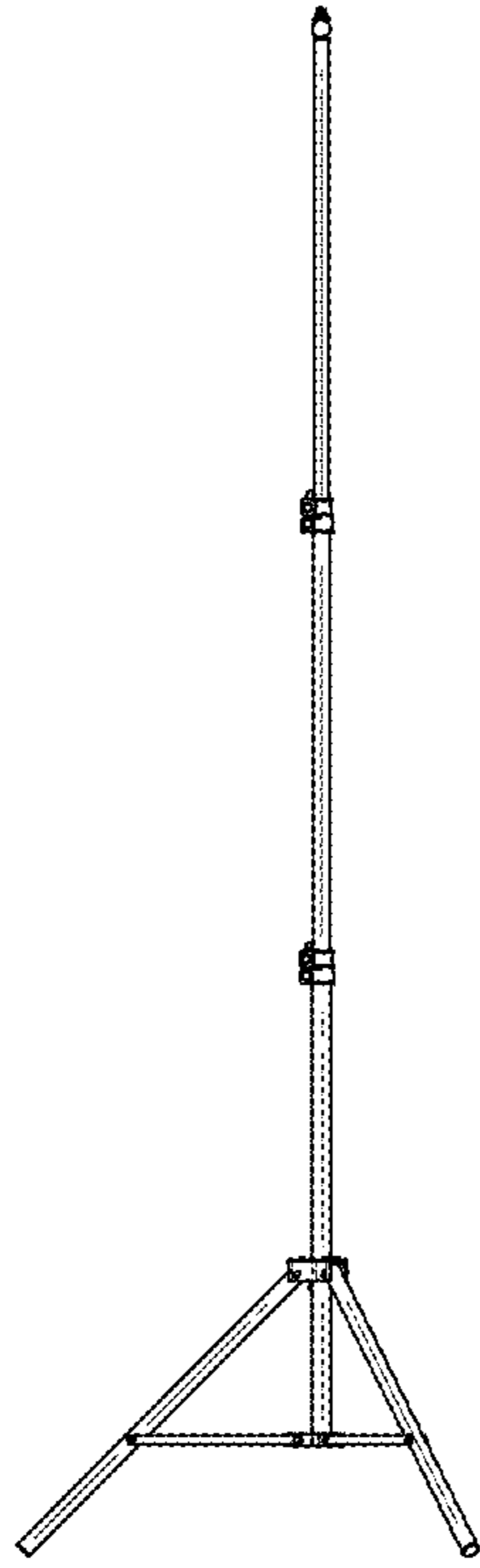


FIG. 6

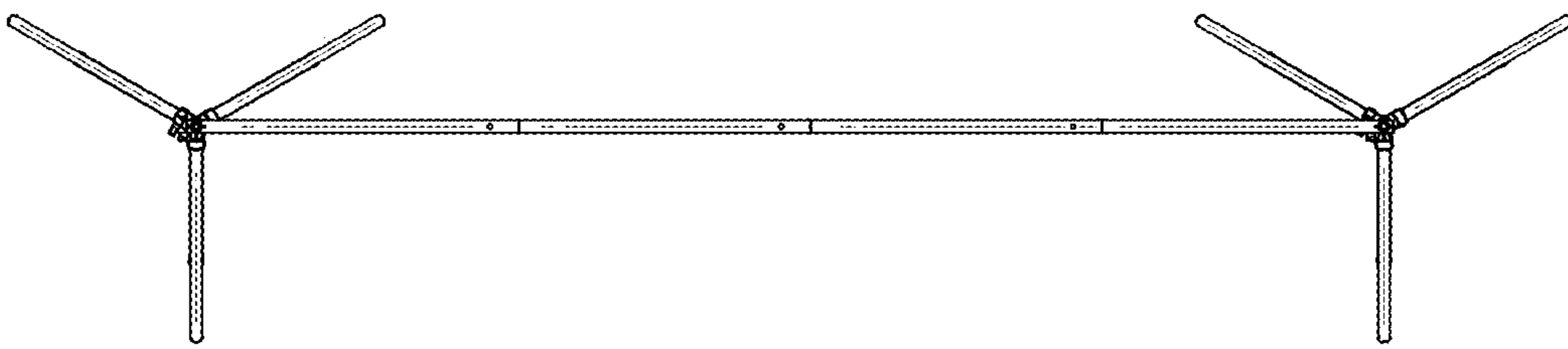


FIG. 7

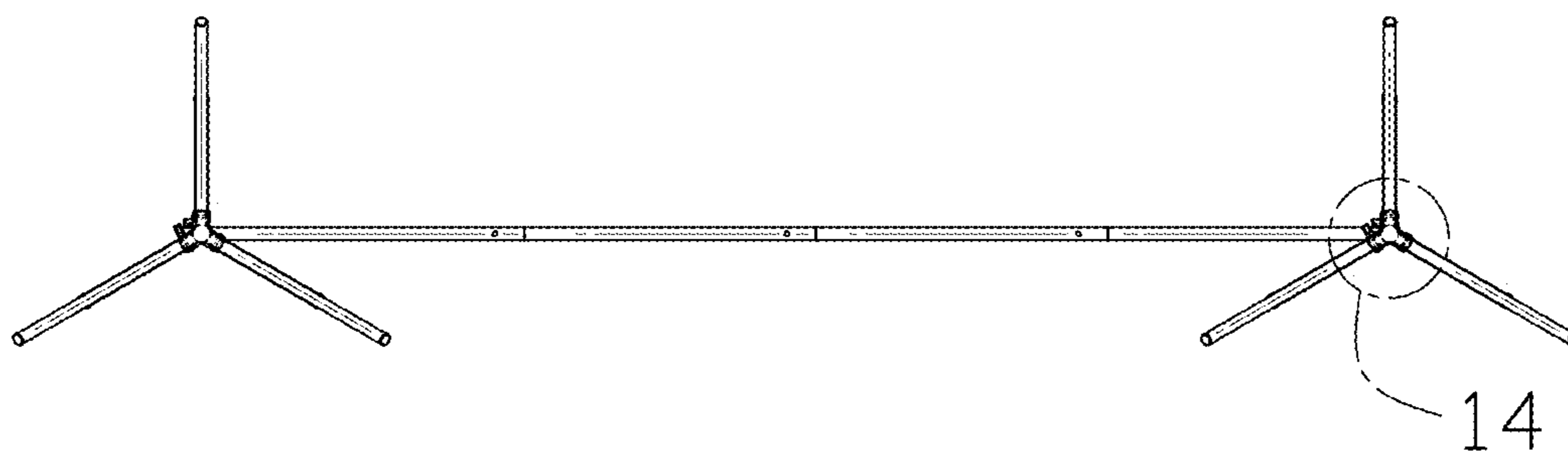


FIG. 8

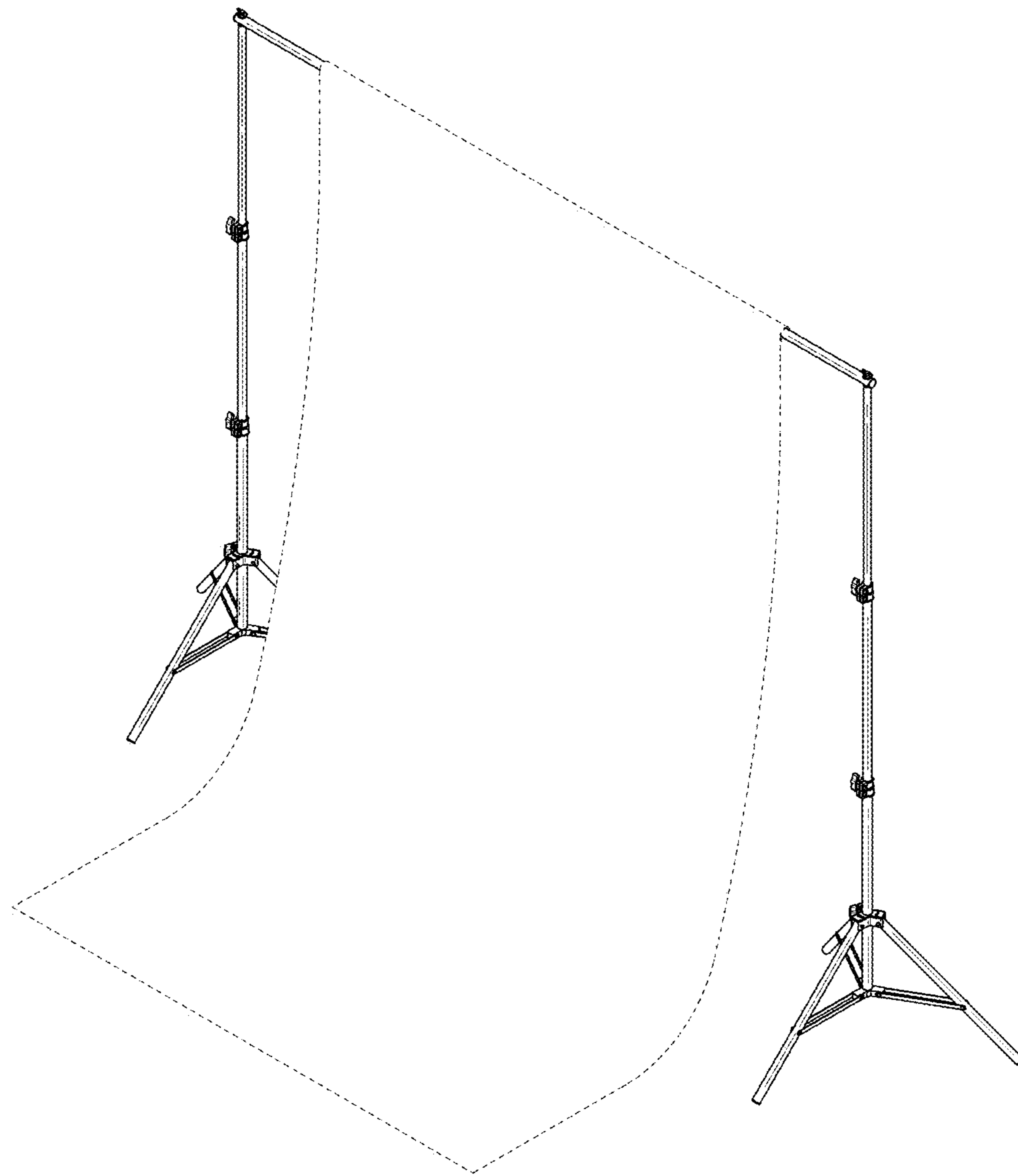


FIG. 9

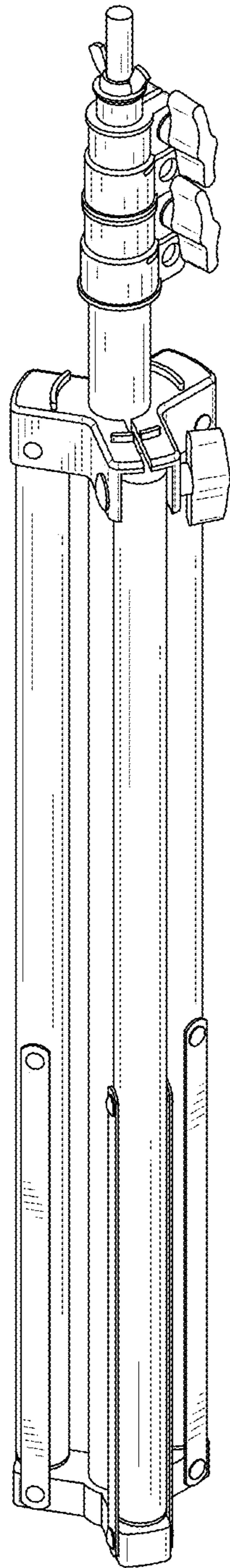


FIG. 10

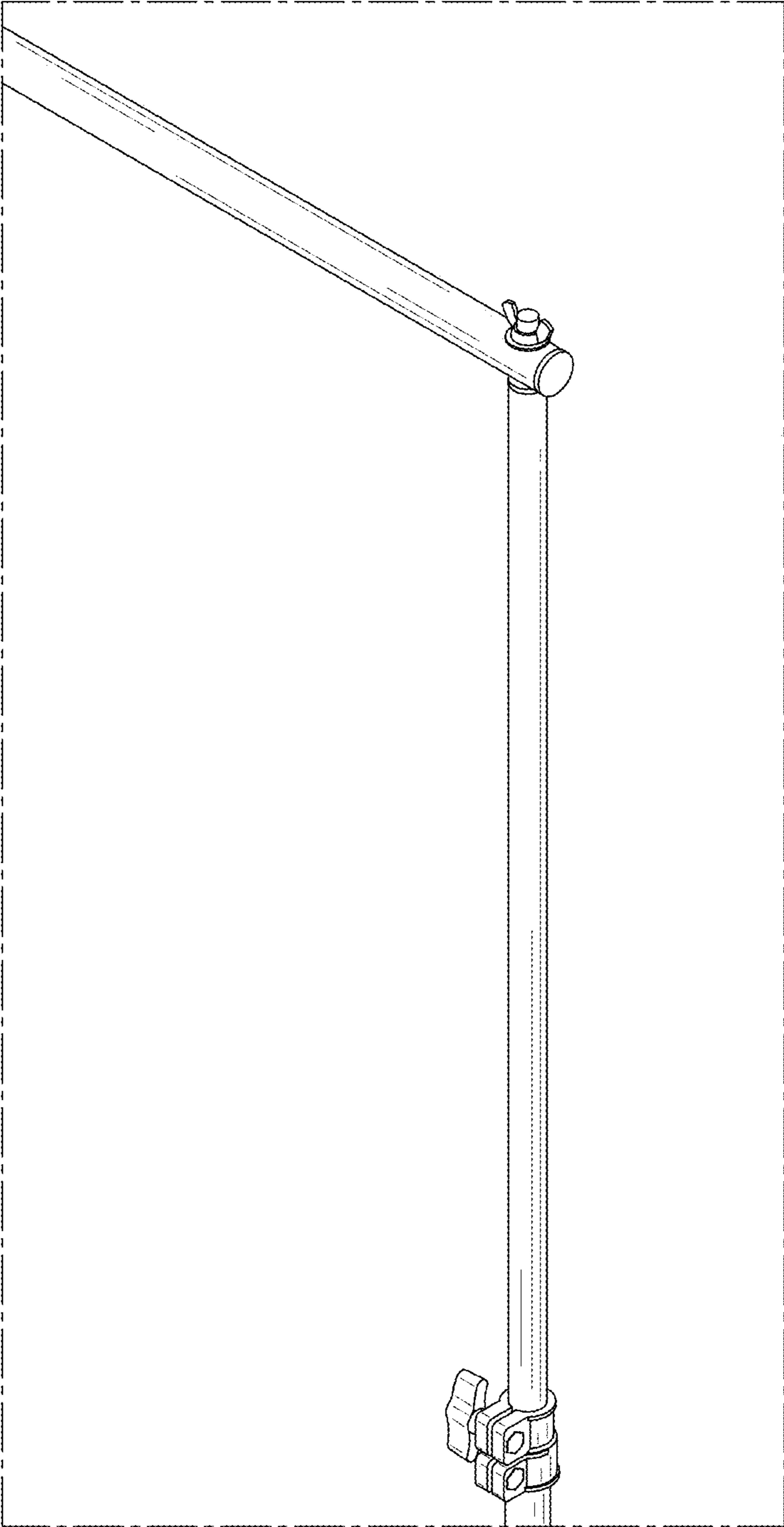


FIG. 11

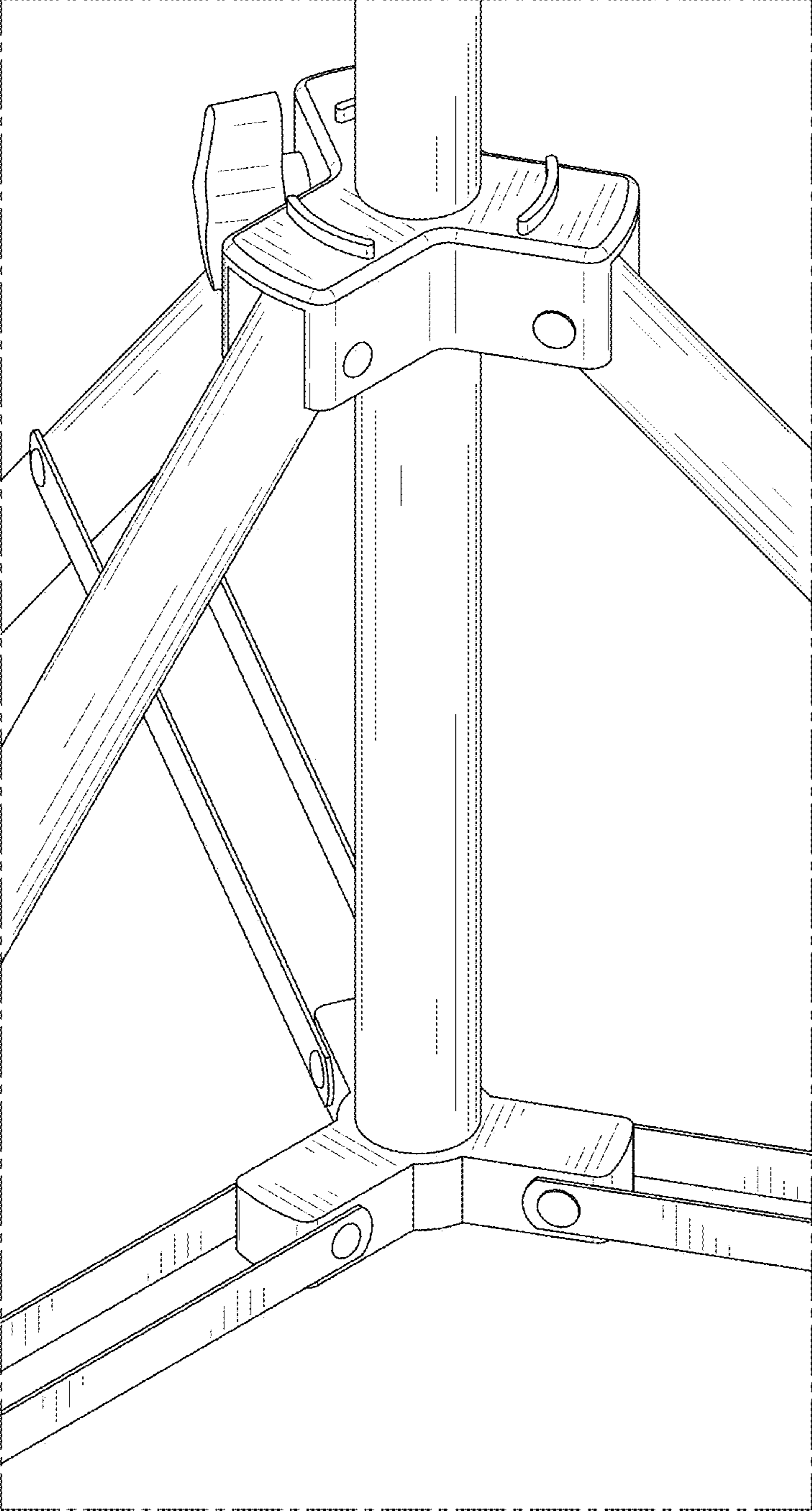


FIG. 12

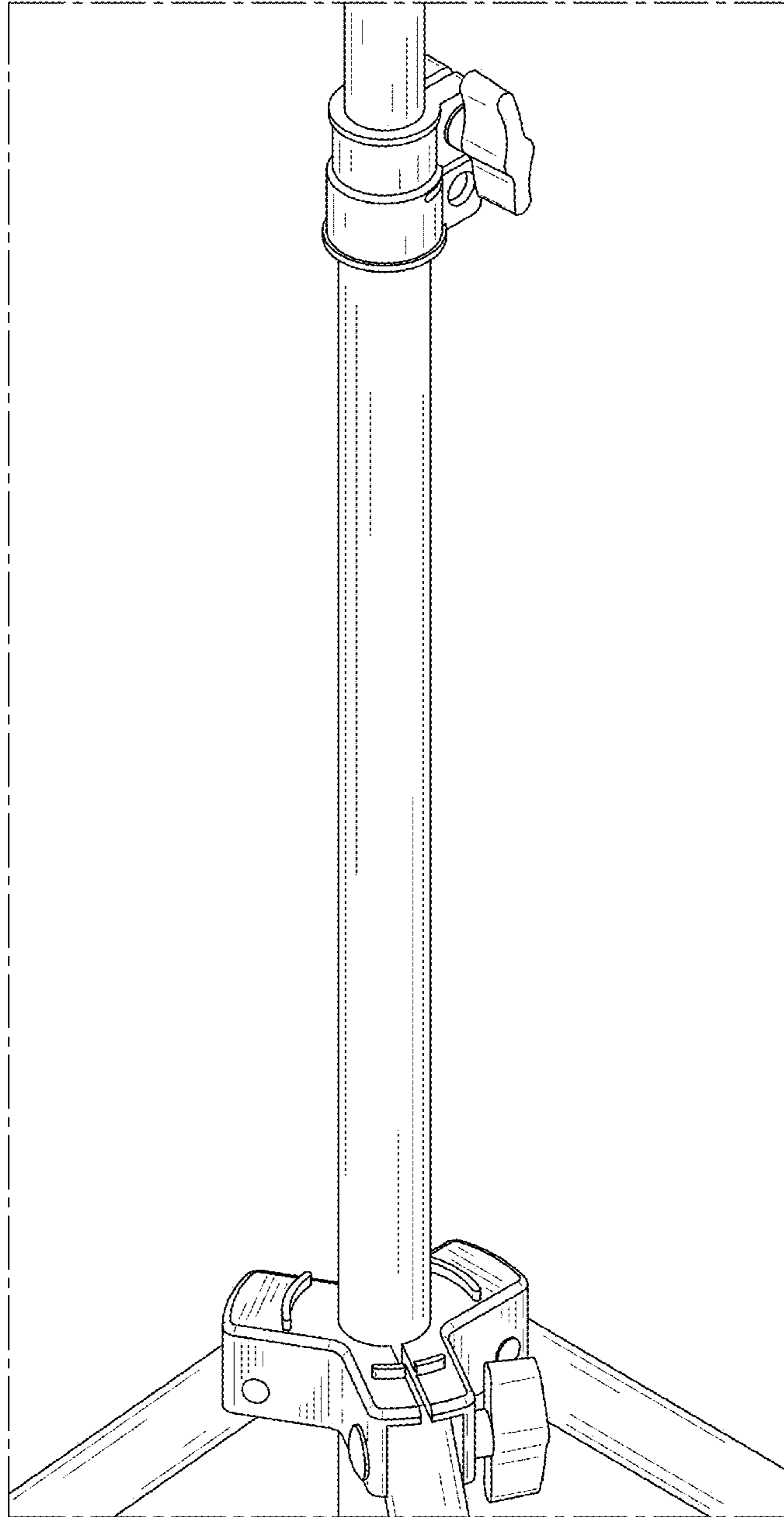


FIG. 13

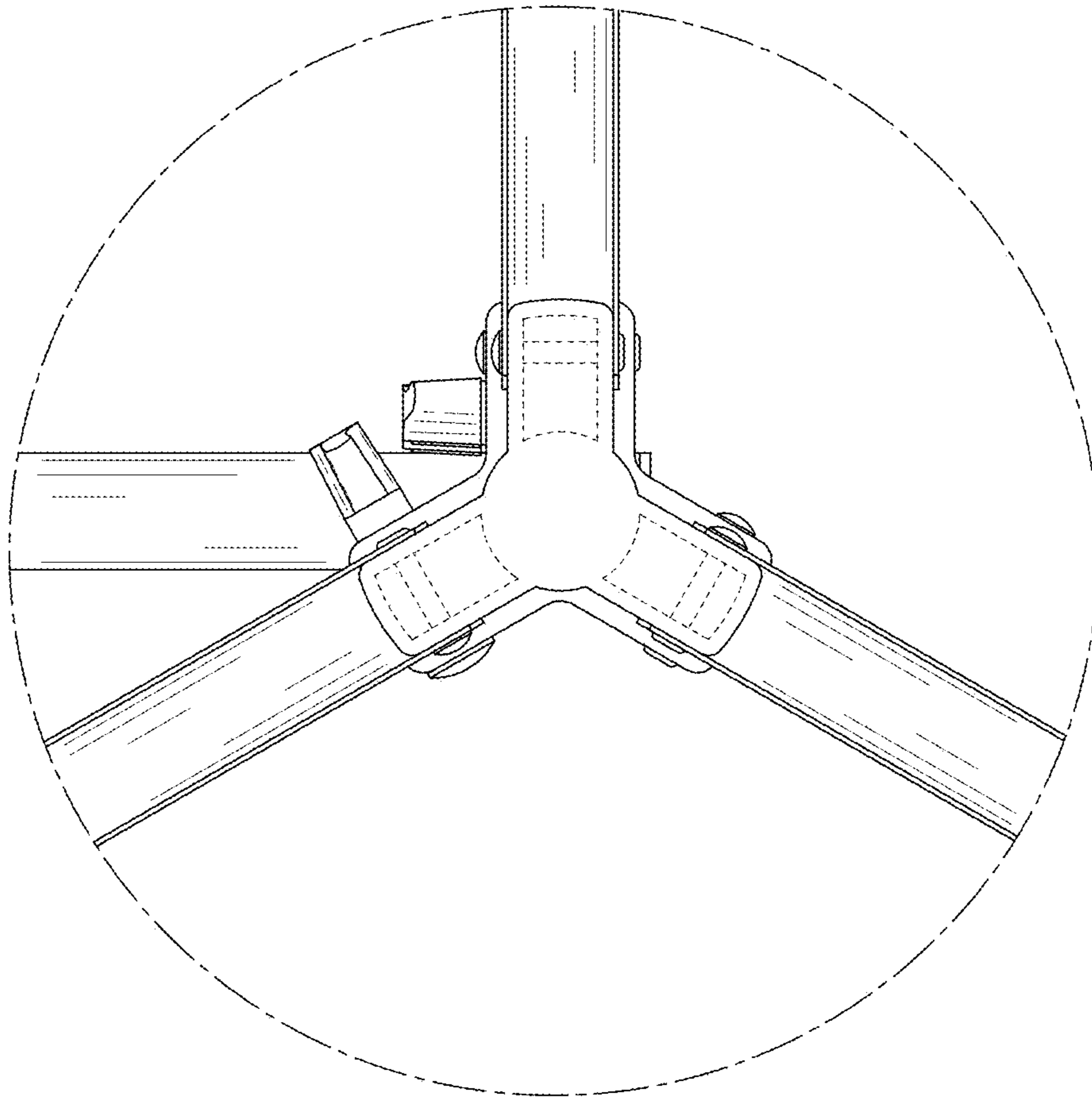


FIG. 14