



US00D943016S

(12) **United States Design Patent** (10) **Patent No.:** **US D943,016 S**
Li et al. (45) **Date of Patent:** **** Feb. 8, 2022**

(54) **THREE-AXIS HANDHELD STABILIZER**
(71) Applicant: **Guangdong Sirui Optical Co., Ltd.,**
Zhongshan (CN)
(72) Inventors: **Jie Li, Zhongshan (CN); Jieyong Chen,**
Zhongshan (CN)
(73) Assignee: **Guangdong Sirui Optical Co., Ltd.,**
Zhongshan (CN)
(**) Term: **15 Years**
(21) Appl. No.: **29/633,879**
(22) Filed: **Jan. 17, 2018**
(30) **Foreign Application Priority Data**

Dec. 12, 2017 (CN) 201730631245.9
(51) **LOC (13) Cl.** **16-01**
(52) **U.S. Cl.**
USPC **D16/206**
(58) **Field of Classification Search**
USPC D16/200, 202–206, 208, 211, 214, 218,
D16/219, 237, 242–244; D14/130, 132,
D14/144, 217, 253; D10/104.1, 104.2,
D10/106.1, 106.2, 106.5; 348/164, 347,
348/373–376; 396/535, 539–541;
250/330, 332
CPC G03B 15/00; G03B 15/03; G03B 17/02;
G03B 17/04; G03B 17/56; G03B 19/04;
H04N 5/2251; H04N 5/2252; H04N
5/2253; H04N 5/2254; H04N 2101/00;
F16M 11/04; F16M 13/00
See application file for complete search history.

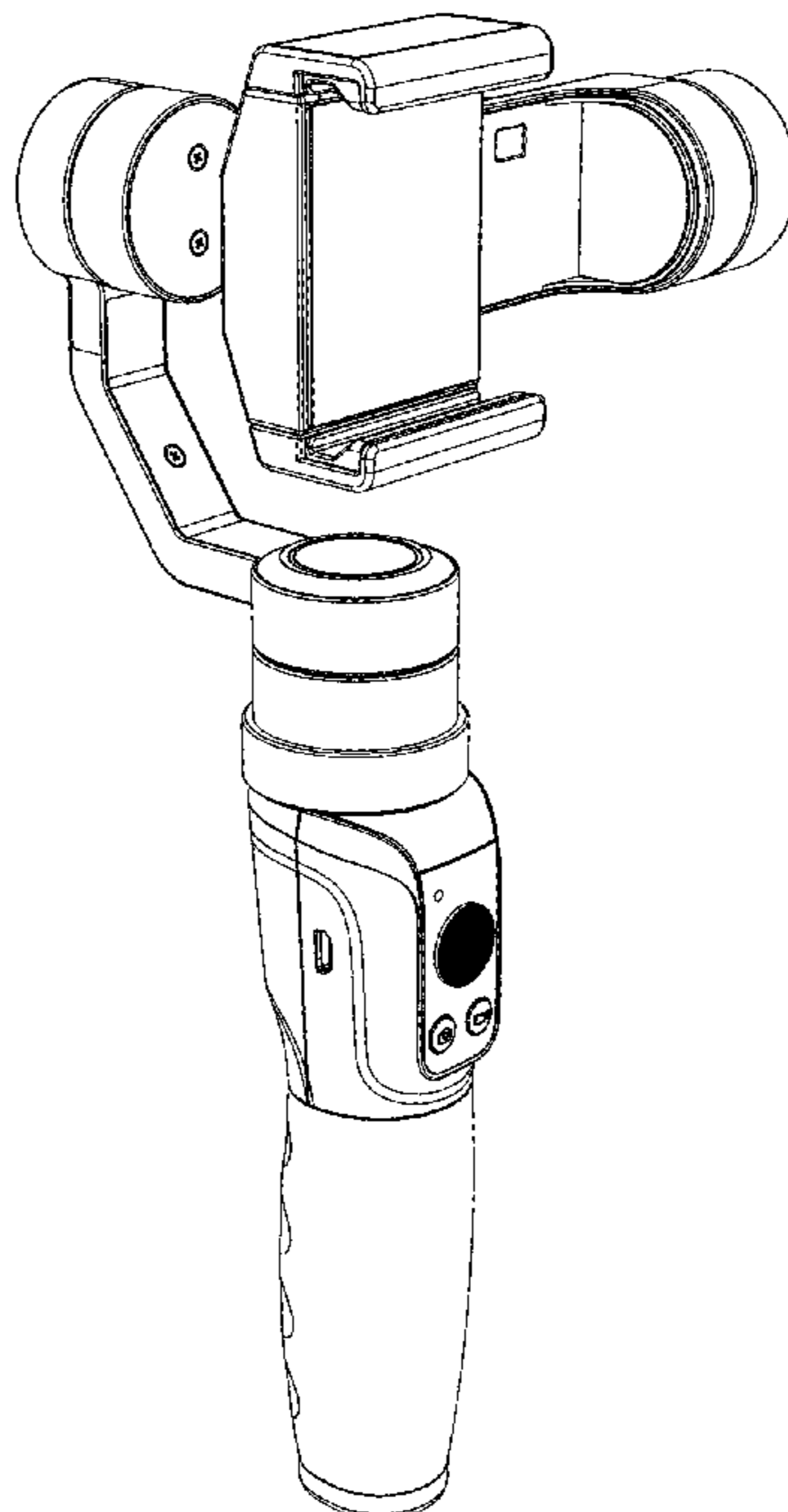
(56) **References Cited**
U.S. PATENT DOCUMENTS
D780,825 S * 3/2017 Kim D16/242
D785,073 S * 4/2017 Wang D16/242
D790,000 S * 6/2017 Wang D16/200
D791,760 S * 7/2017 Kim D14/253
D799,448 S * 10/2017 Zheng D14/217
D810,171 S * 2/2018 Kim D16/206
D813,924 S * 3/2018 Zheng D16/203
D814,545 S * 4/2018 Kim D16/206
D815,180 S * 4/2018 Kim D16/206
D819,117 S * 5/2018 Lee D16/242
D824,882 S * 8/2018 Zheng D14/217
D826,310 S * 8/2018 Wang D16/243
D836,699 S * 12/2018 Kim D16/206

* cited by examiner
Primary Examiner — Ramzi Almatrahi
(74) *Attorney, Agent, or Firm* — Loeb & Loeb LLP

(57) **CLAIM**
The ornamental design for a three-axis handheld stabilizer,
as shown and described.

DESCRIPTION
FIG. 1 is a perspective view of a three-axis handheld stabilizer showing our new design;
FIG. 2 is a front elevational view thereof;
FIG. 3 is a rear elevational view thereof;
FIG. 4 is a right side elevational view thereof;
FIG. 5 is a left side elevational view thereof;
FIG. 6 is a top view thereof; and,
FIG. 7 is a bottom view thereof.
The broken lines depict portions of the three-axis handheld stabilizer in which the design is embodied that form no part of the claimed design.

1 Claim, 7 Drawing Sheets



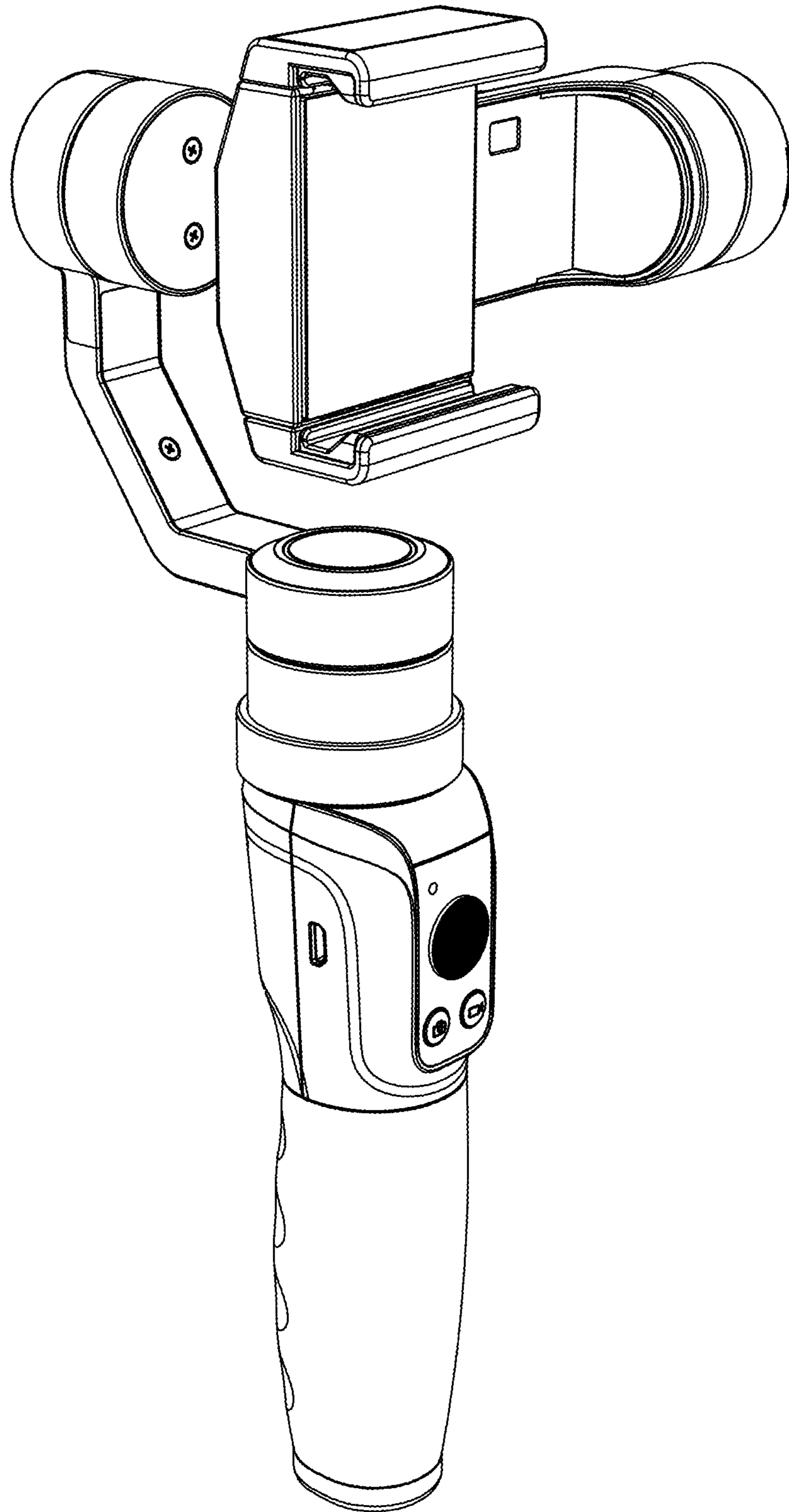


FIG. 1

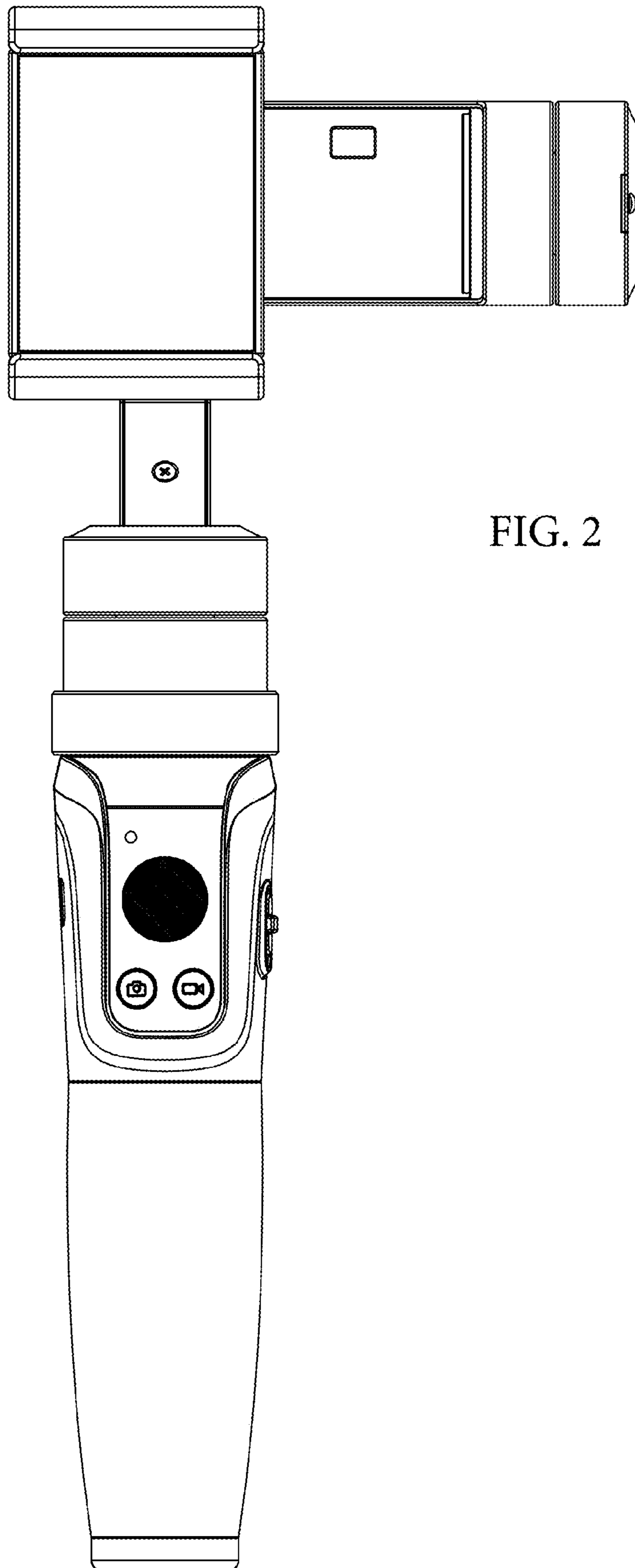


FIG. 2

FIG. 3

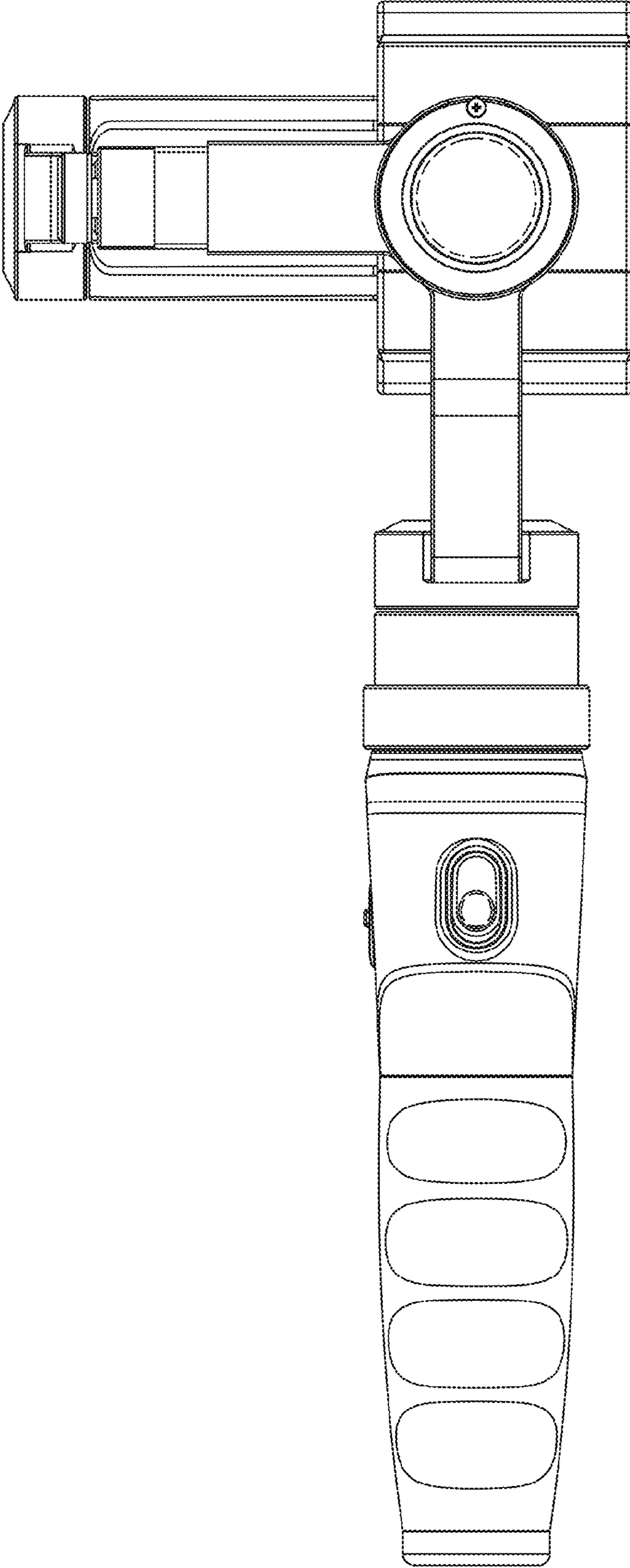
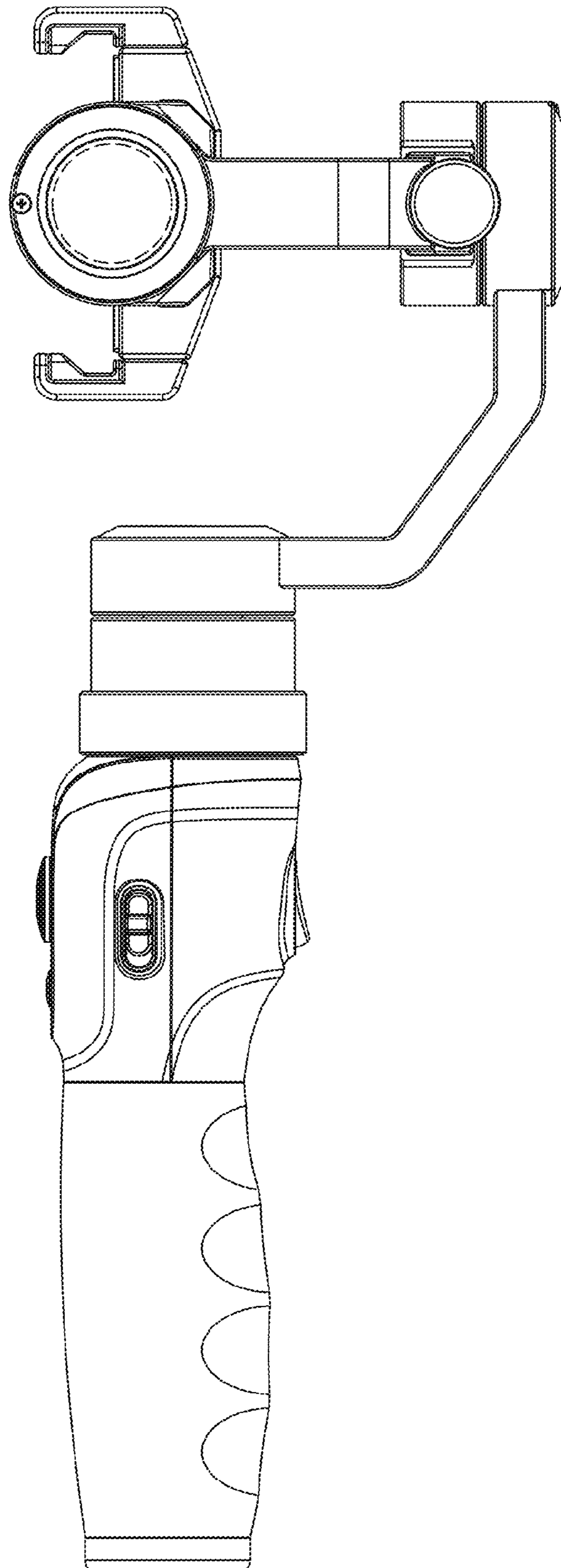


FIG. 4



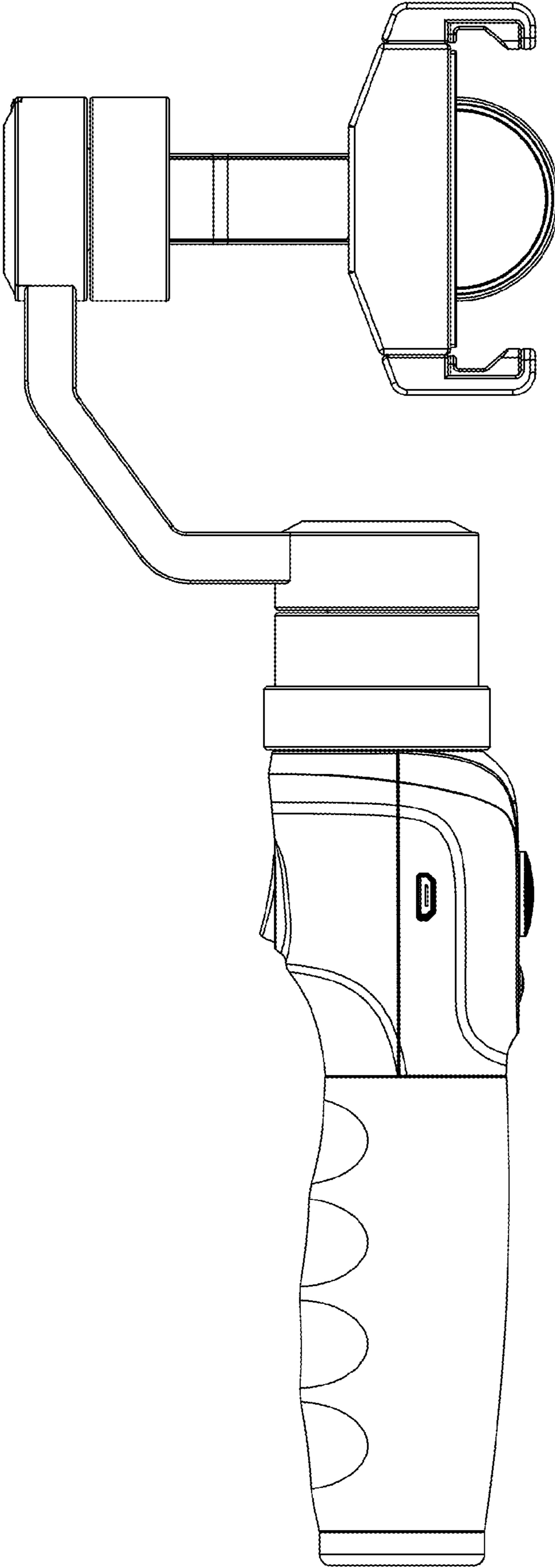


FIG. 5

FIG. 6

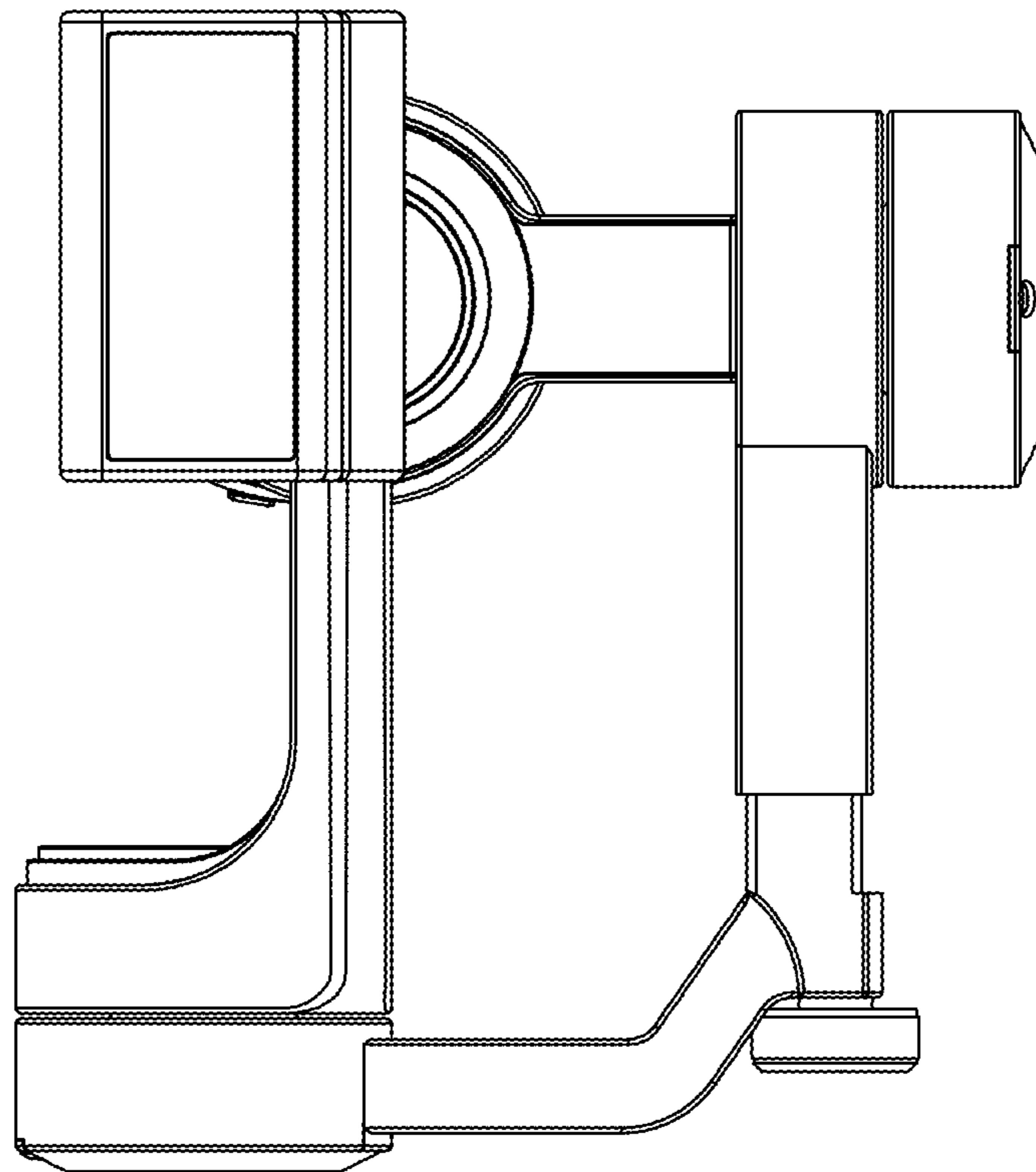


FIG. 7

