



US00D943015S

(12) **United States Design Patent** (10) **Patent No.:** **US D943,015 S**
Sun (45) **Date of Patent:** **** Feb. 8, 2022**

(54) **INFRARED DIGITAL NIGHT VISION DEVICE HOST**

(71) Applicant: **Fengping Sun**, Shenzhen (CN)

(72) Inventor: **Fengping Sun**, Shenzhen (CN)

(**) Term: **15 Years**

(21) Appl. No.: **29/683,933**

(22) Filed: **Mar. 18, 2019**

(51) **LOC (13) Cl.** **16-99**

(52) **U.S. Cl.**
USPC **D16/130**

(58) **Field of Classification Search**
USPC D10/70, 109.1, 109.2; D16/134, 130, D16/131, 132, 133, 135, 136, 202-208, D16/245, 219; D24/120, 113, 118, 119, D24/121, 122, 124, 125, 128
CPC ... G01C 3/00; G01C 3/02; G01C 3/04; G01C 3/06; G01C 3/08; G01C 3/085; G01C 3/10; G01C 3/12; G01C 3/16; G01C 3/18; G01C 3/20; G01C 3/22; G01C 3/24; G01C 3/26; G01C 3/28; G01C 3/30; G01C 3/32; B60Q 1/04; B60Q 1/26; F21S 8/026; F21S 8/04; F21V 29/004; F21V 21/02; F21V 21/04; F21V 29/2212; F21Y 2101/02; G02B 27/026; G02B 23/16; G02B 2003/0093; G02B 3/04; H04J 11/00; H04J 13/00; E06B 9/24; G03B 17/02; C03B 2215/46
See application file for complete search history.

(56) **References Cited**

U.S. PATENT DOCUMENTS

D337,339 S * 7/1993 An D11/79
D518,079 S * 3/2006 Hines D16/130

D709,118 S * 7/2014 Yu D16/204
D779,460 S * 2/2017 Turksu D14/218
D793,000 S * 7/2017 Sonneman D26/113
D798,935 S * 10/2017 Dimitriadis D16/203
D849,815 S * 5/2019 Osborne D16/130
D867,430 S * 11/2019 Ikegame D16/219
D876,000 S * 2/2020 Yuan D26/138
D888,122 S * 6/2020 Bynum D16/130
D902,282 S * 11/2020 Gu D16/203
D902,461 S * 11/2020 Roys D26/51
D908,159 S * 1/2021 Sakai D16/203

* cited by examiner

Primary Examiner — Nathaniel D. Buckner

Assistant Examiner — Benjamin M Weeks

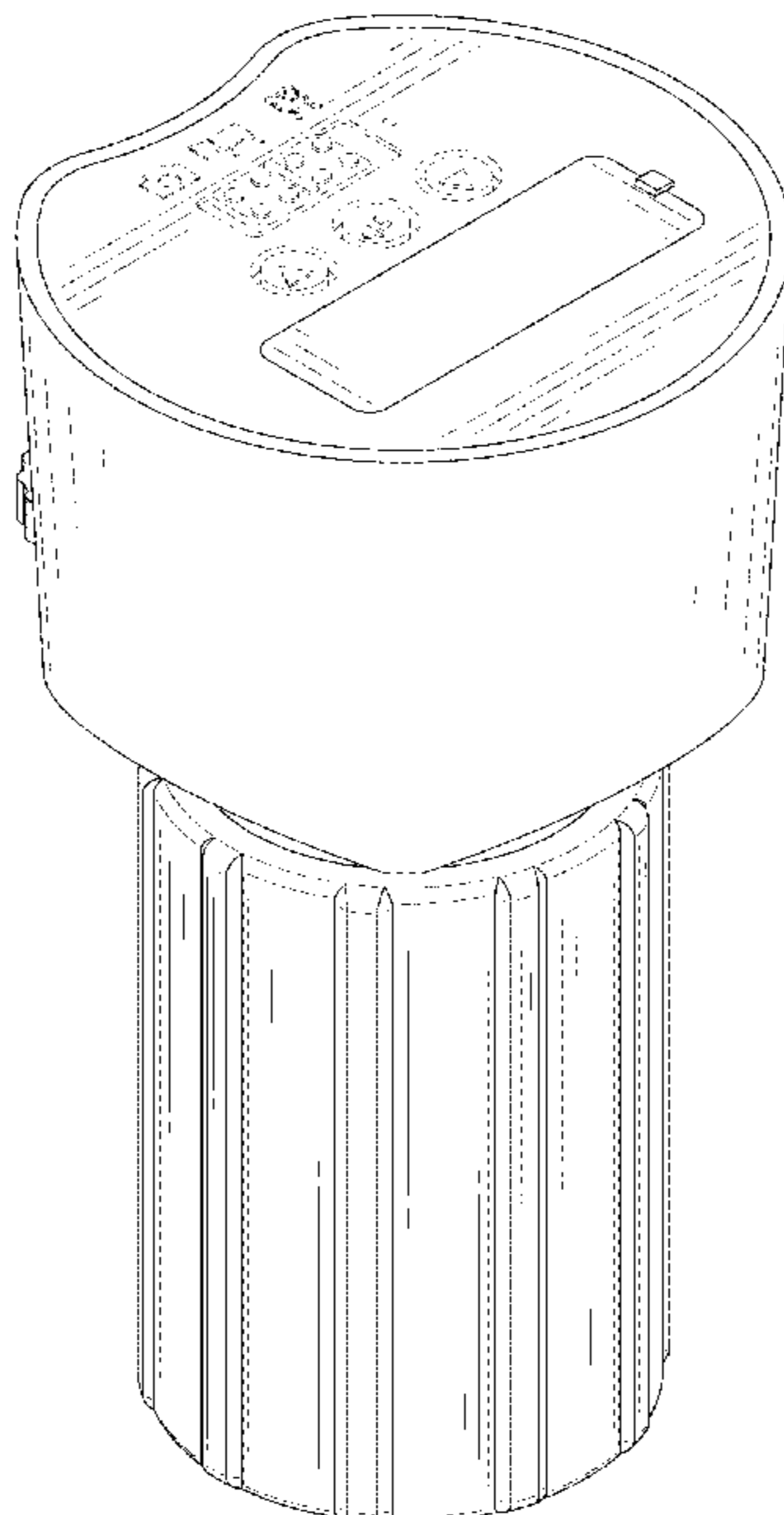
(57) **CLAIM**

The ornamental design for an infrared digital night vision device host, as shown and described.

DESCRIPTION

FIG. 1 is a first perspective view of an infrared digital night vision device host showing my design;
FIG. 2 is a second perspective view thereof;
FIG. 3 is a front view thereof;
FIG. 4 is a back view thereof;
FIG. 5 is a left side view thereof;
FIG. 6 is a right side view thereof;
FIG. 7 is a top view thereof; and,
FIG. 8 is a bottom view thereof.
The broken lines shown in the drawings depict portions of the infrared digital night vision device host that form no part of the claimed design.

1 Claim, 8 Drawing Sheets



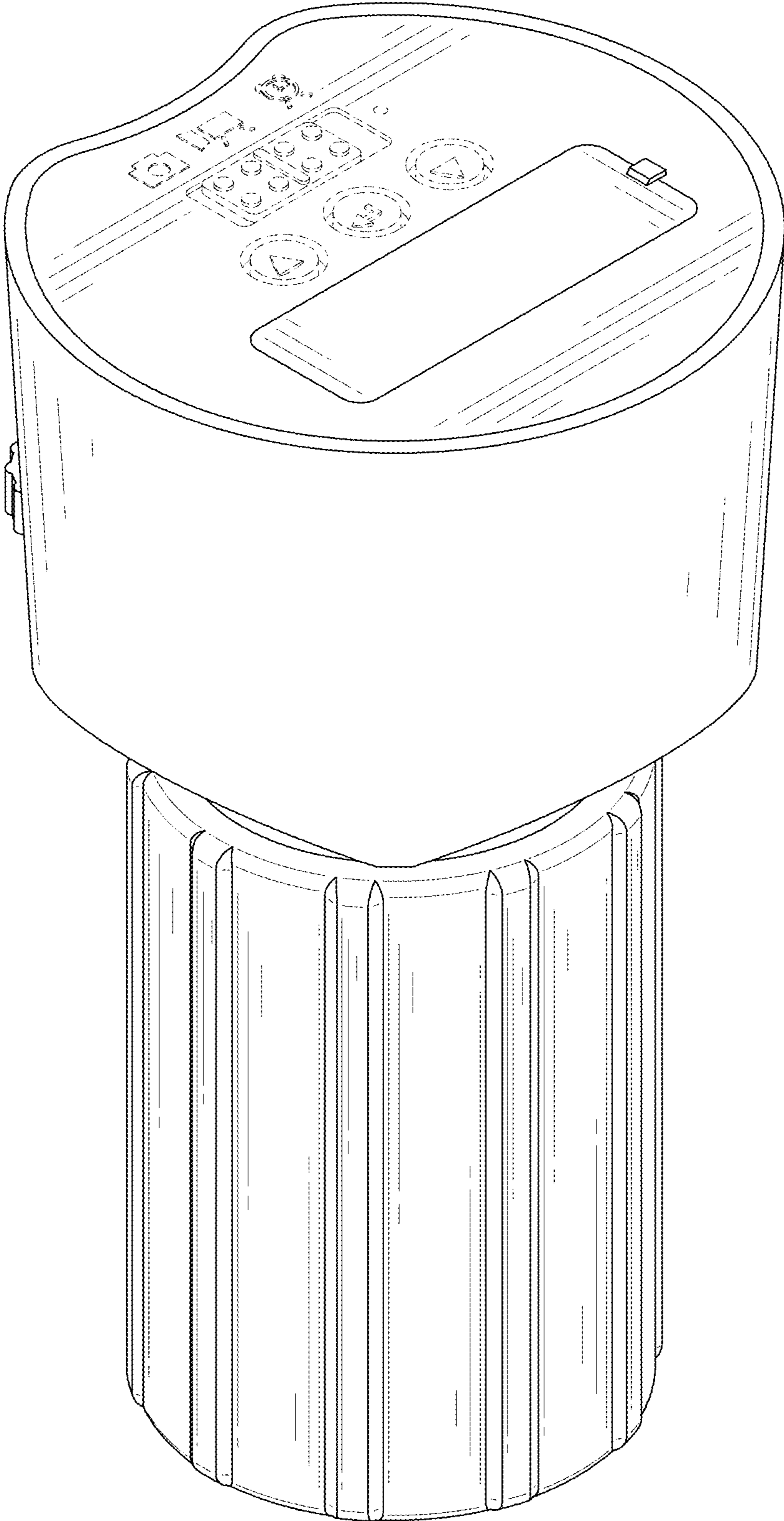


FIG. 1

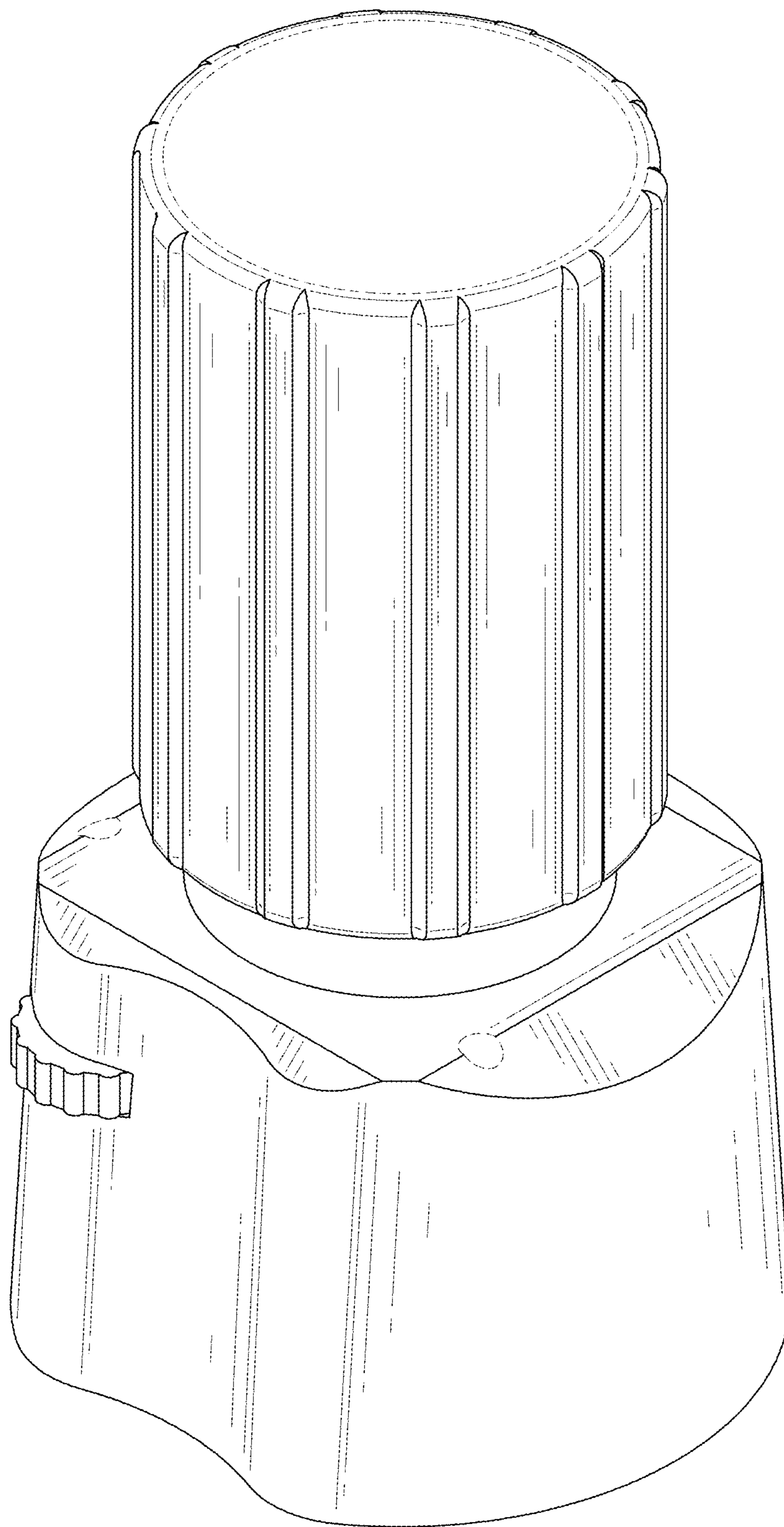


FIG. 2

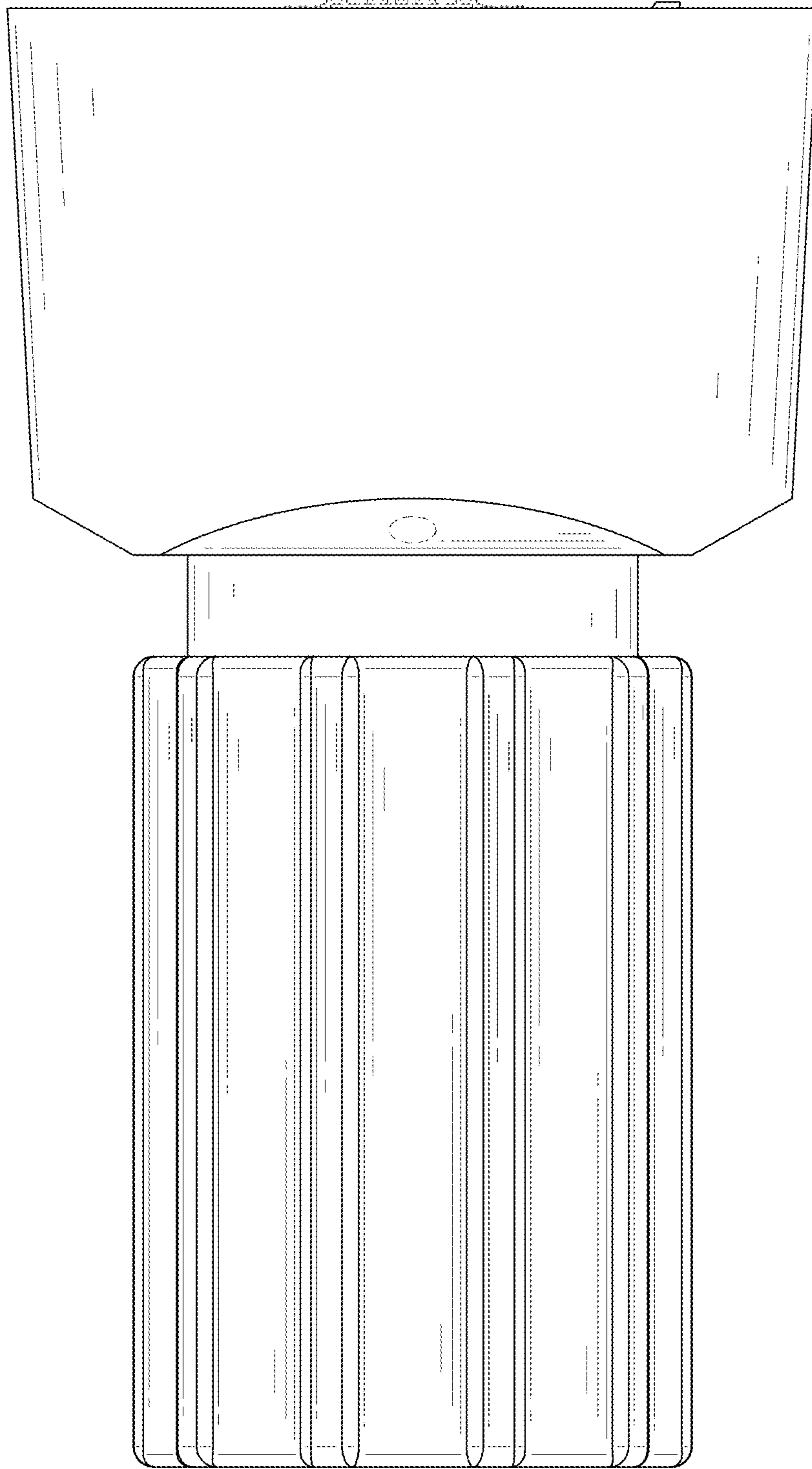


FIG. 3

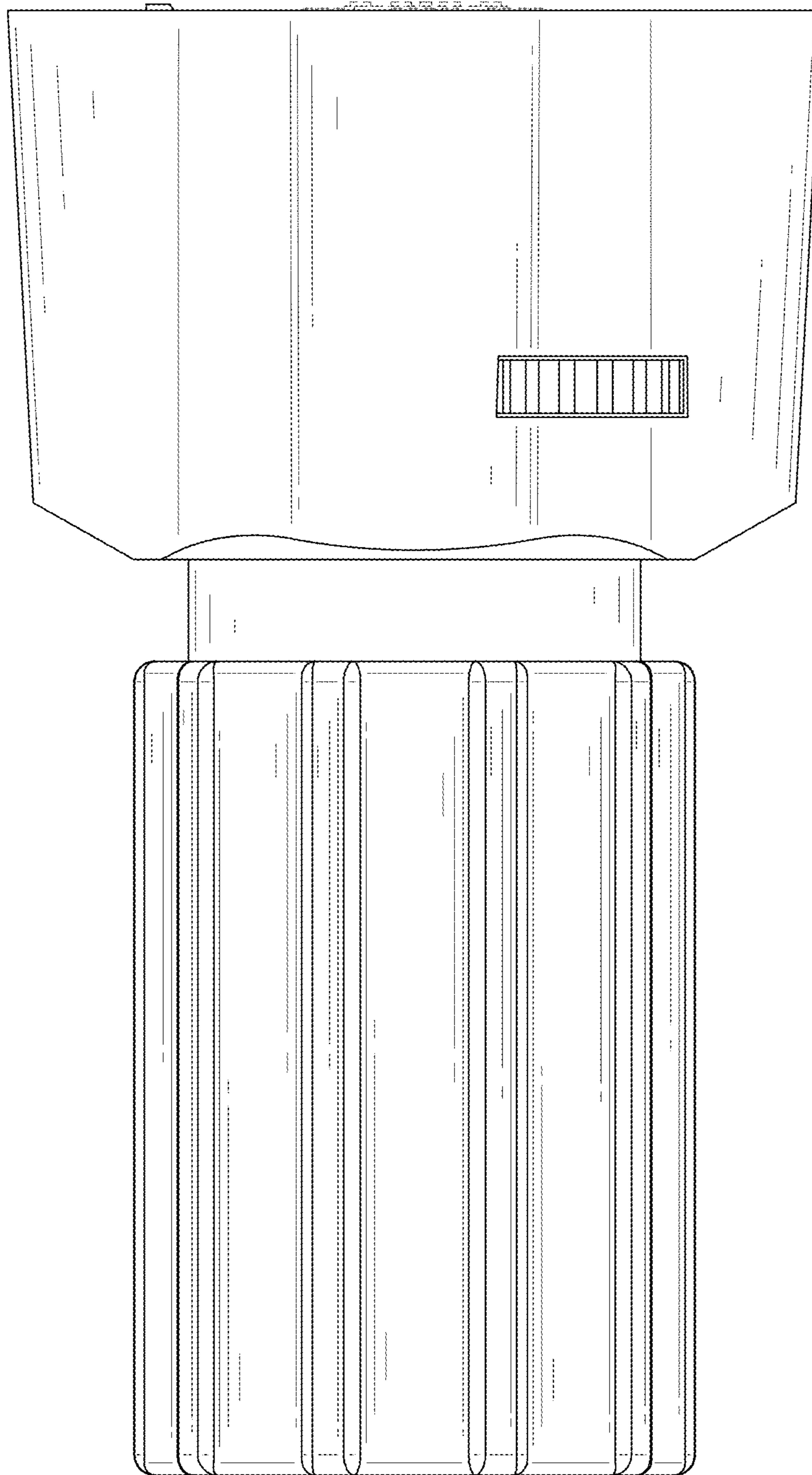


FIG. 4

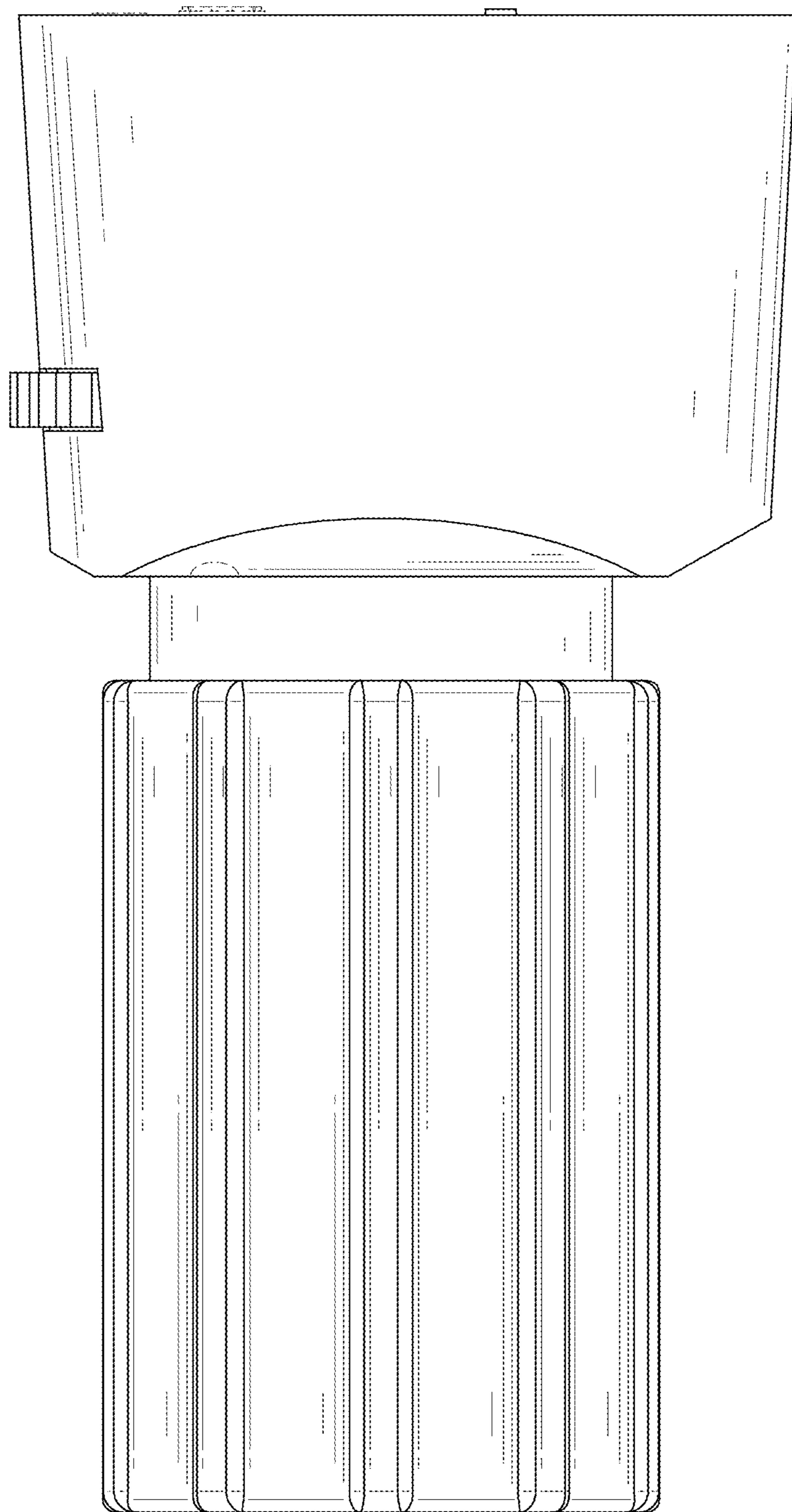


FIG. 5

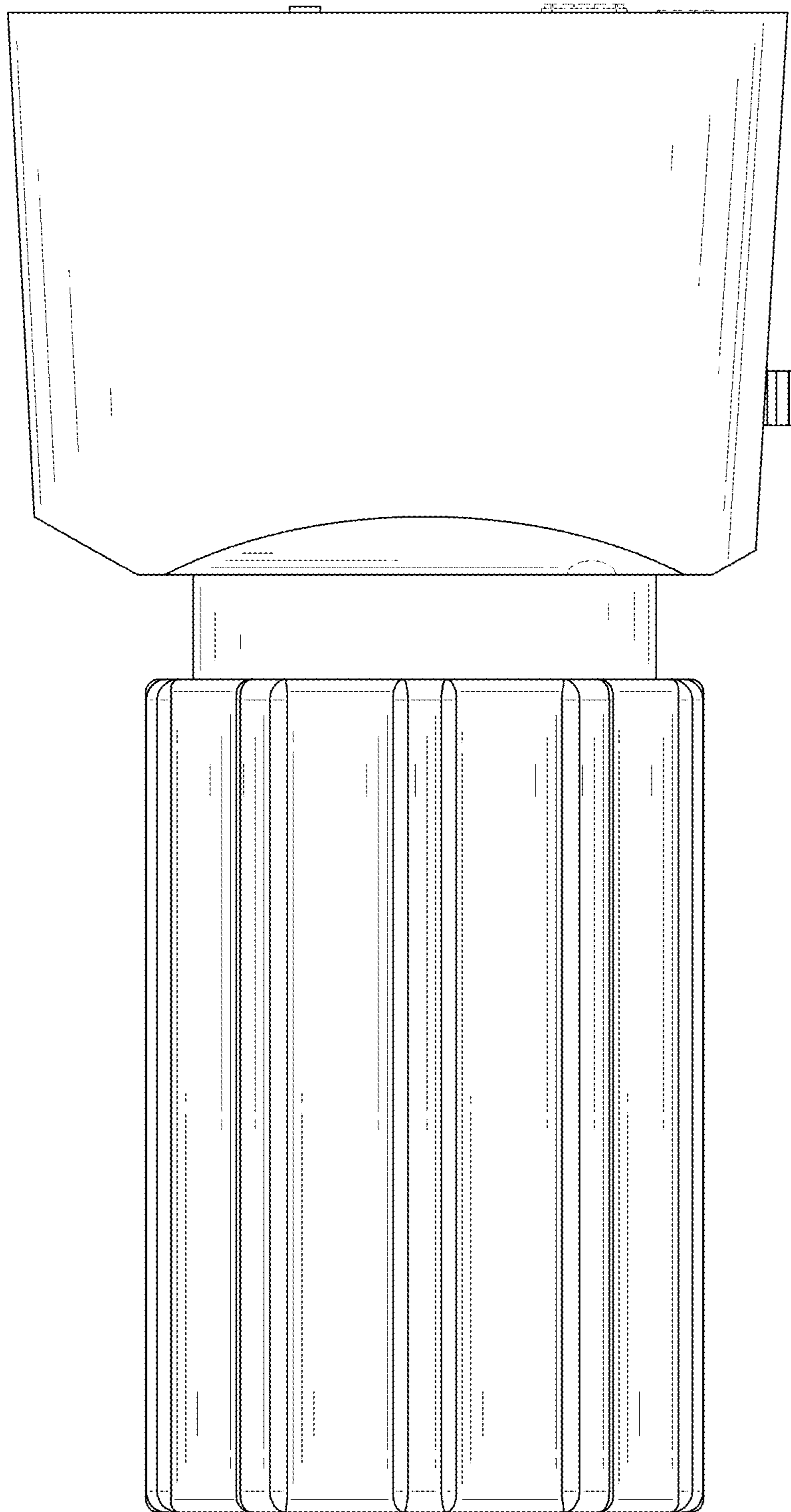


FIG. 6

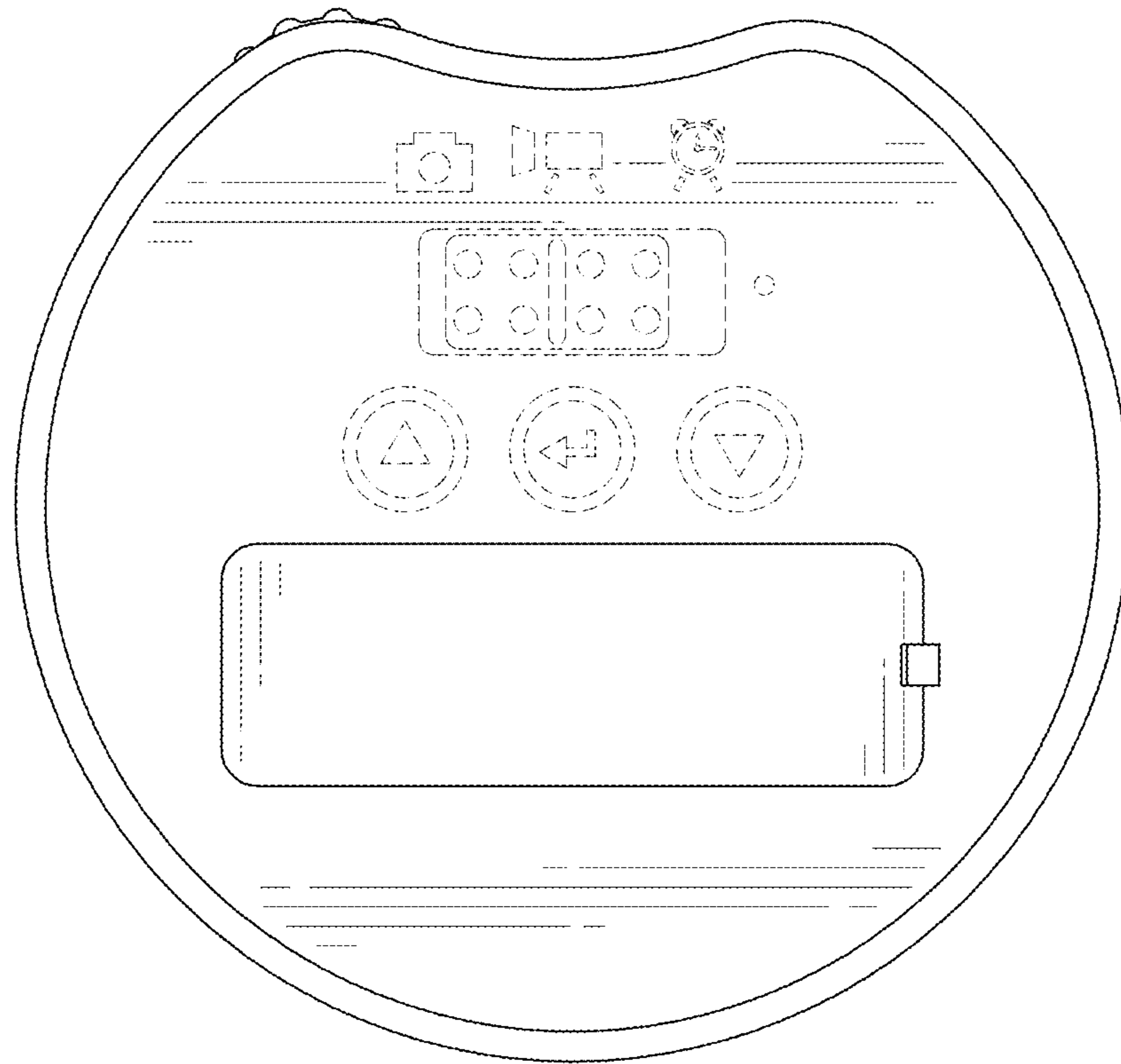


FIG. 7

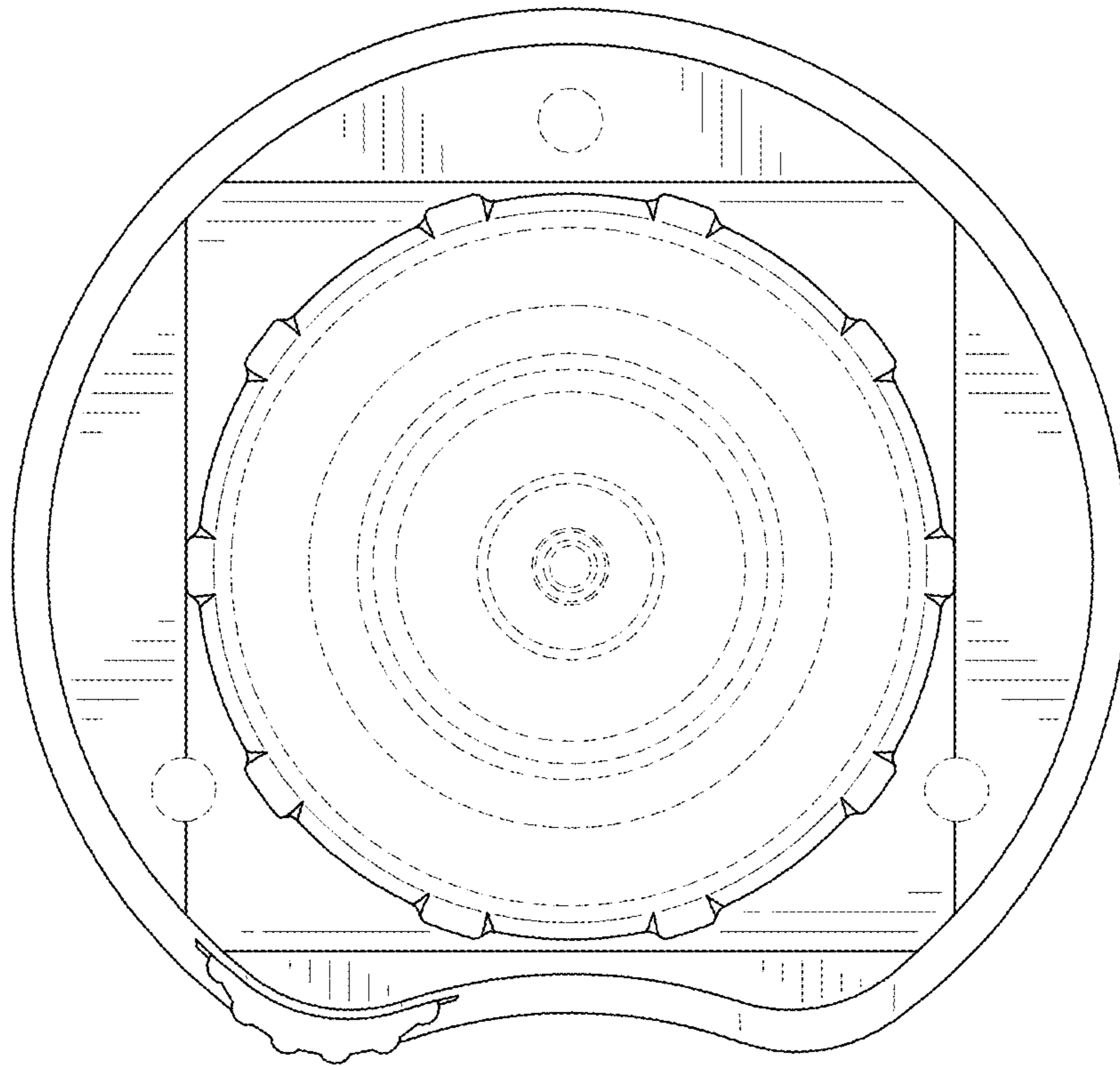


FIG. 8