



US00D943012S

(12) **United States Design Patent**
de Gier

(10) **Patent No.:** **US D943,012 S**

(45) **Date of Patent:** **** Feb. 8, 2022**

- (54) **CUTTING SHEARS**
- (71) Applicant: **Demolition and Recycling Equipment B.V., Cuijk (NL)**
- (72) Inventor: **Gertrudis Maria Gerardus de Gier, Cuijk (NL)**
- (73) Assignee: **Demolition and Recycling Equipment B.V.**
- (**) Term: **15 Years**
- (21) Appl. No.: **29/749,436**
- (22) Filed: **Sep. 4, 2020**
- (51) **LOC (13) Cl.** **15-09**
- (52) **U.S. Cl.**
USPC **D15/123**
- (58) **Field of Classification Search**
USPC D15/32, 28, 123, 138, 139
CPC B23D 17/00; E02F 3/965; E02F 3/966;
E04G 23/08; E04G 2023/086
See application file for complete search history.

- 5,671,892 A * 9/1997 Morikawa B23D 17/00
241/101.73
- 5,894,666 A * 4/1999 Hrusch E02F 3/965
30/134
- 5,992,023 A * 11/1999 Sederberg E02F 3/965
30/134

(Continued)

Primary Examiner — Mark A Goodwin

(74) *Attorney, Agent, or Firm* — Miller & Martin PLLC

(57) **CLAIM**

The ornamental design for the cutting shears, as shown and described.

DESCRIPTION

FIG. 1 is a top left perspective view of the cutting shears; FIG. 2 is a top right perspective view of the cutting shears shown in FIG. 1; FIG. 3 is a left plan view of the cutting shears shown in FIG. 1; FIG. 4 is a top right perspective view of the cutting shears shown in FIG. 1 from a higher angle than FIG. 2; FIG. 5 is a right plan view of the cutting shears shown in FIG. 1; FIG. 6 is a top plan view of the cutting shears shown in FIG. 1; FIG. 7 is a bottom plan view of the cutting shears shown in FIG. 1; FIG. 8 is a front plan view of the cutting shears shown in FIG. 1; FIG. 9 is a rear plan view of the cutting shears shown in FIG. 1; FIG. 10 is a lower right perspective view of the cutting shears shown in FIG. 1; and, FIG. 11 is a lower left perspective view of the cutting shears shown in FIG. 1.

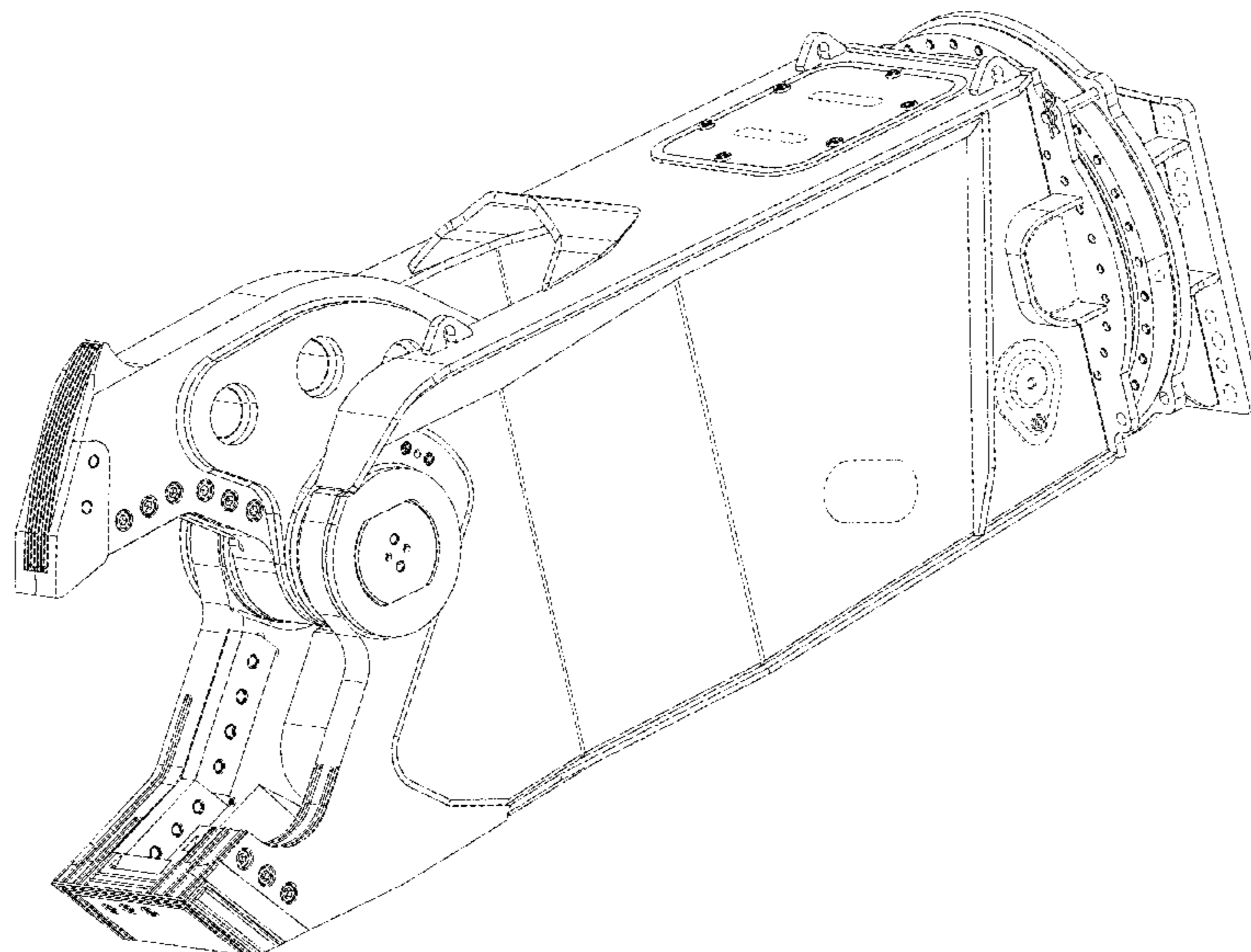
Broken lines illustrating certain elements on the cutting shears are for illustrative purposes only and form no part of the claimed design.

(56) **References Cited**

U.S. PATENT DOCUMENTS

- 4,686,767 A * 8/1987 Ramun E02F 3/965
144/34.5
- 4,961,543 A * 10/1990 Sakato B23D 35/005
241/101.73
- 5,062,227 A * 11/1991 De Gier E04G 23/08
37/406
- 5,146,683 A * 9/1992 Morikawa B23D 17/00
30/134
- 5,187,868 A * 2/1993 Hall B23D 17/00
241/101.73
- 5,230,151 A * 7/1993 Kunzman E02F 3/965
30/131
- 5,533,682 A * 7/1996 de Gier E02F 3/965
241/101.73

1 Claim, 9 Drawing Sheets



(56)

References Cited

U.S. PATENT DOCUMENTS

6,061,911 A *	5/2000	LaBounty	B23D 17/00	7,578,461 B2 *	8/2009	Sederberg	B23D 17/00
				30/134					241/101.73
6,119,970 A *	9/2000	LaBounty	B23D 17/00	7,954,742 B2 *	6/2011	Ramun	E02F 3/425
				241/101.73					241/101.71
6,151,784 A *	11/2000	Maruyama	E02F 3/965	8,245,964 B2 *	8/2012	Ramun	E02F 3/3636
				125/23.01					241/101.73
6,839,969 B2 *	1/2005	Jacobson	B23D 17/00	8,308,092 B2 *	11/2012	Ramun	E02F 3/3636
				30/134					241/101.73
6,926,217 B1 *	8/2005	LaBounty	B23D 17/00	D687,077 S *	7/2013	Gerardus de Gier	D15/123
				241/101.73	D687,470 S *	8/2013	Gerardus de Gier	D15/123
7,216,575 B2 *	5/2007	Alseth	B23D 31/008	8,800,902 B2 *	8/2014	Ko	E02F 3/3663
				30/134					241/101.72
7,240,869 B2 *	7/2007	Sederberg	B23D 31/008	8,887,416 B2 *	11/2014	Ostermeyer	E02F 3/965
				241/101.73					37/406
7,284,718 B2 *	10/2007	Christenson	E02F 3/965	9,022,308 B2 *	5/2015	Turnbull	E02F 3/407
				241/101.73					241/101.5
7,487,930 B2 *	2/2009	Sederberg	B23D 31/008	9,333,570 B2 *	5/2016	Clemons	B23D 35/001
				241/101.73	9,713,848 B2 *	7/2017	Christenson	B23D 35/001
					10,071,431 B2 *	9/2018	Christenson	B23D 35/002
					10,092,967 B2 *	10/2018	Christenson	B23D 35/002
					10,252,356 B2 *	4/2019	Jacobson	B23D 17/00

* cited by examiner

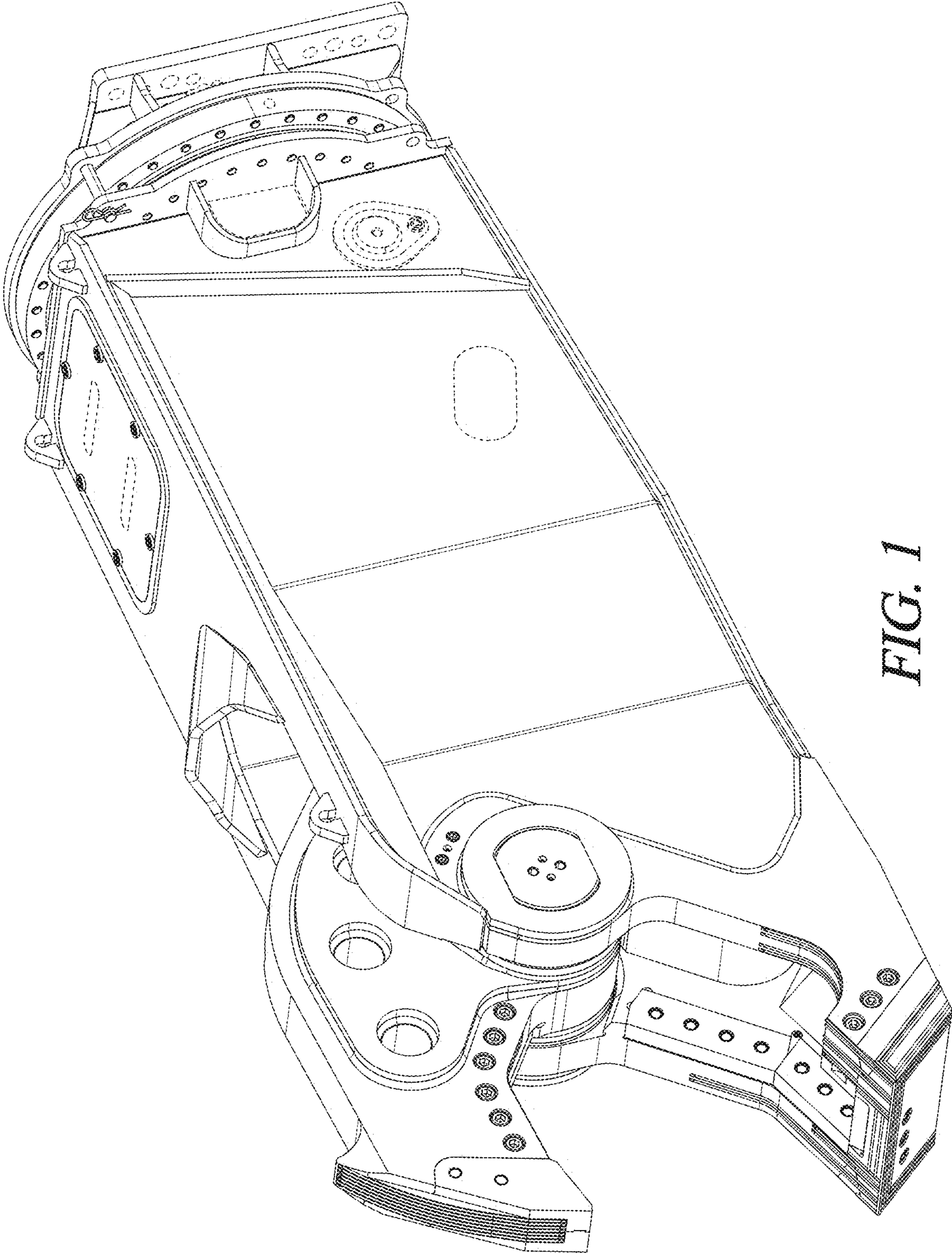


FIG. 1

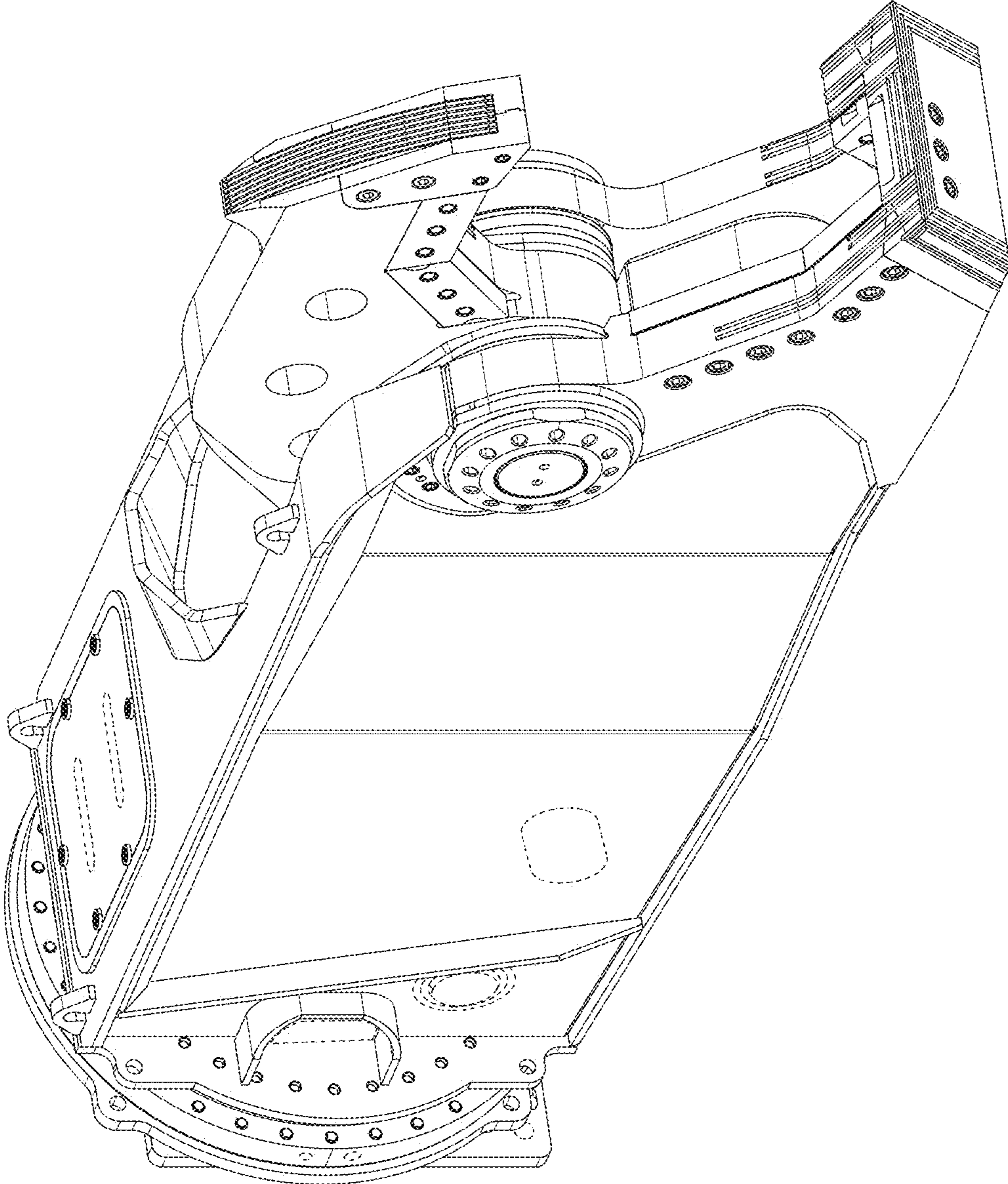


FIG. 2

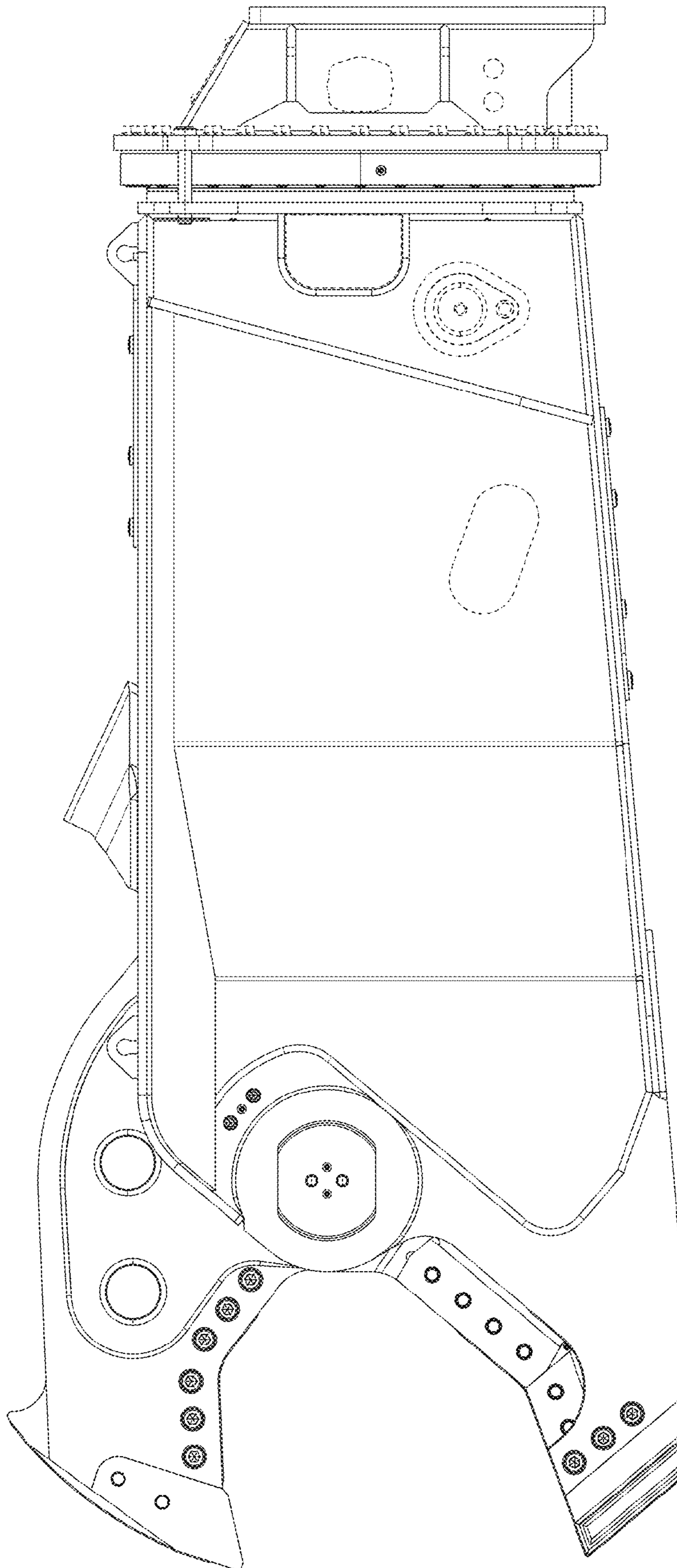


FIG. 3

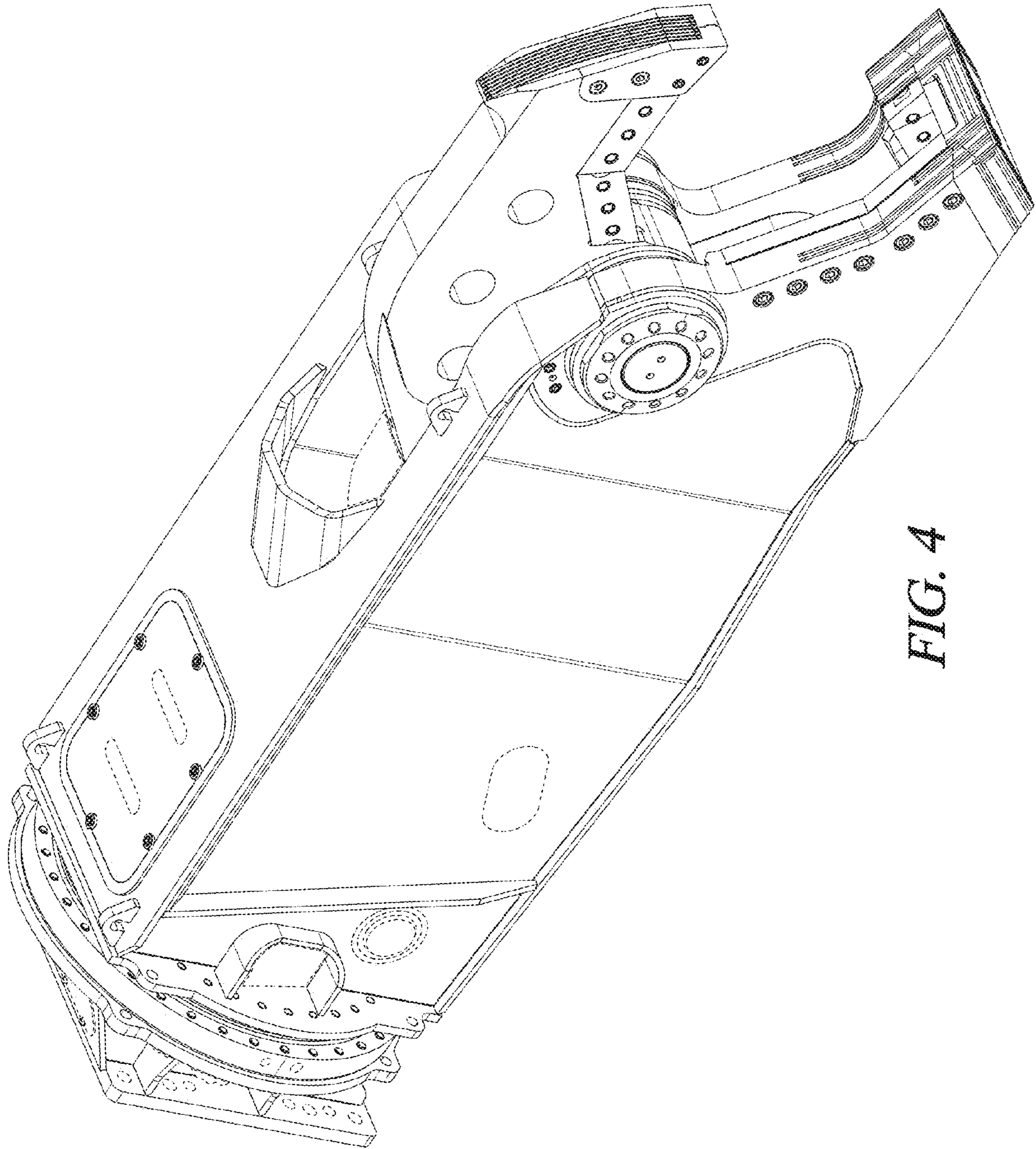


FIG. 4

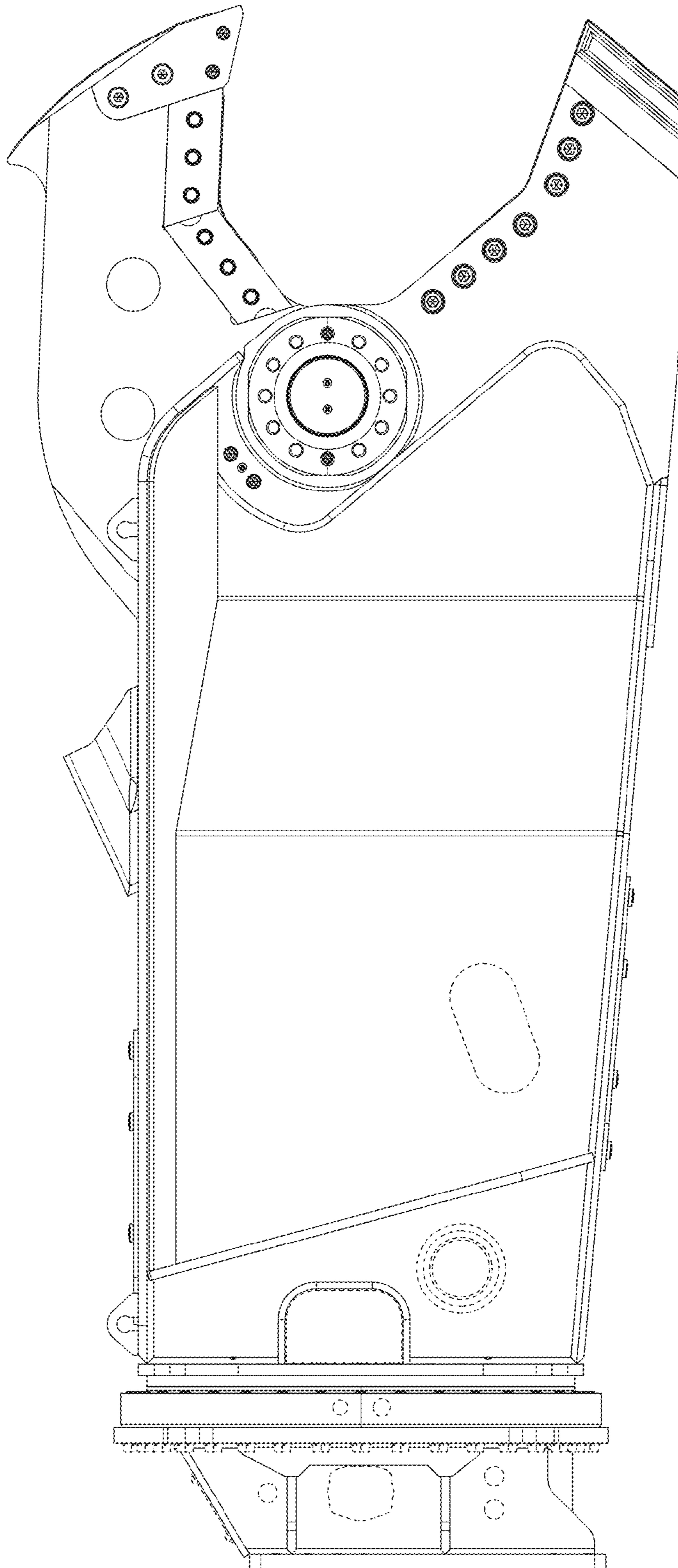


FIG. 5

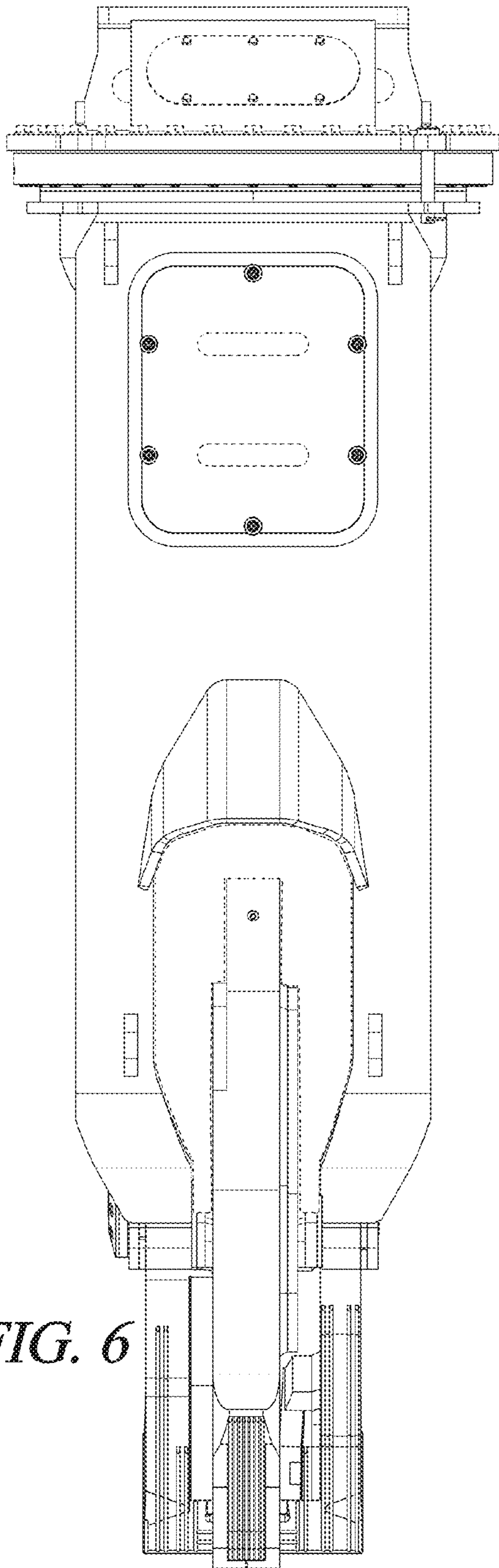


FIG. 6

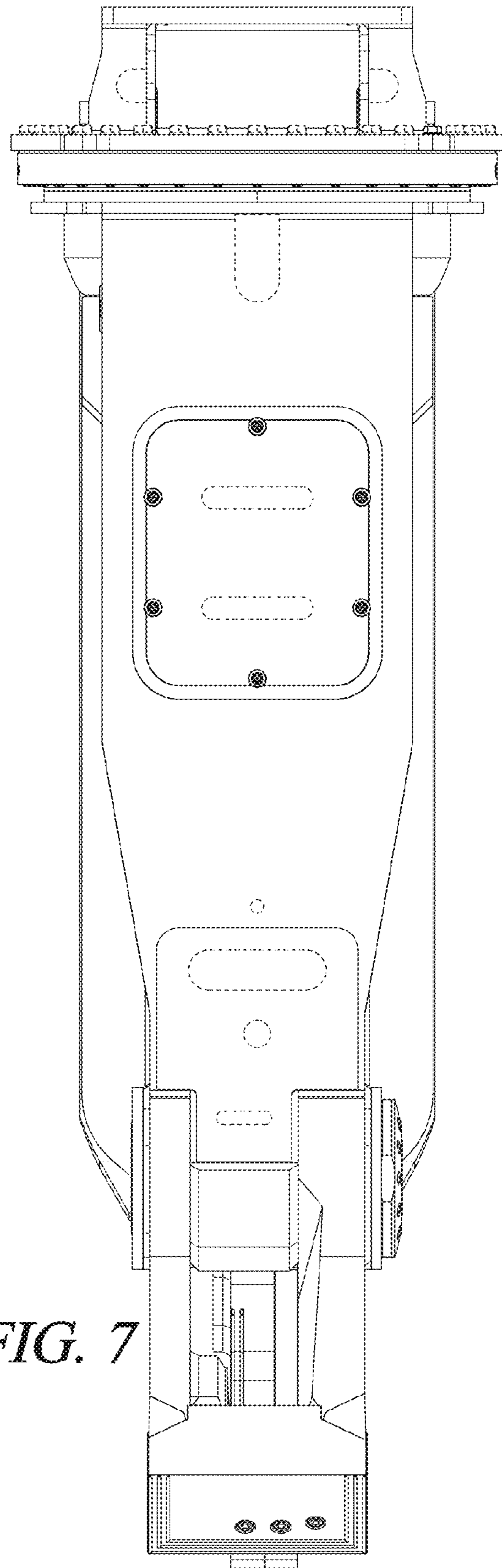


FIG. 7

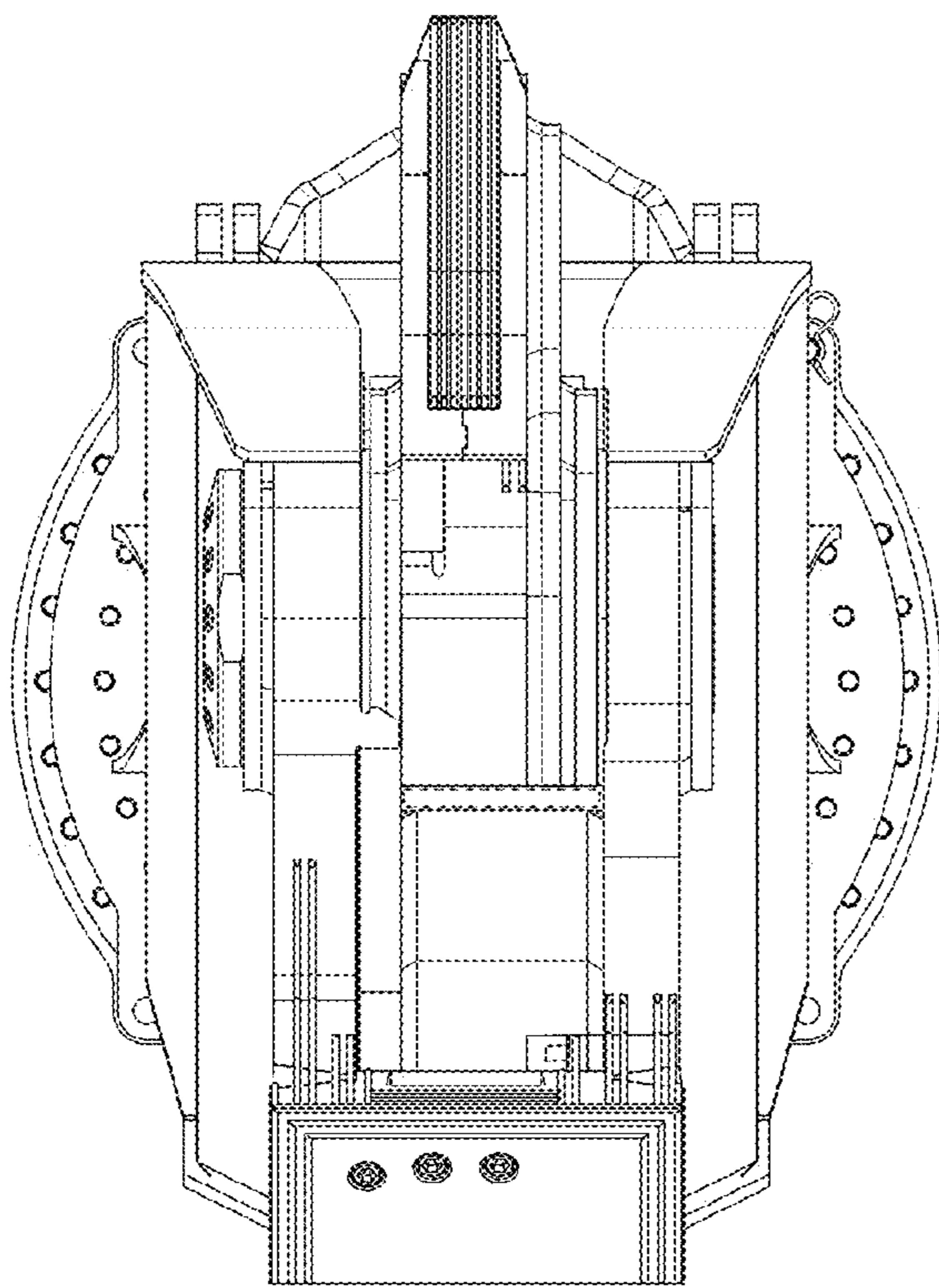


FIG. 8

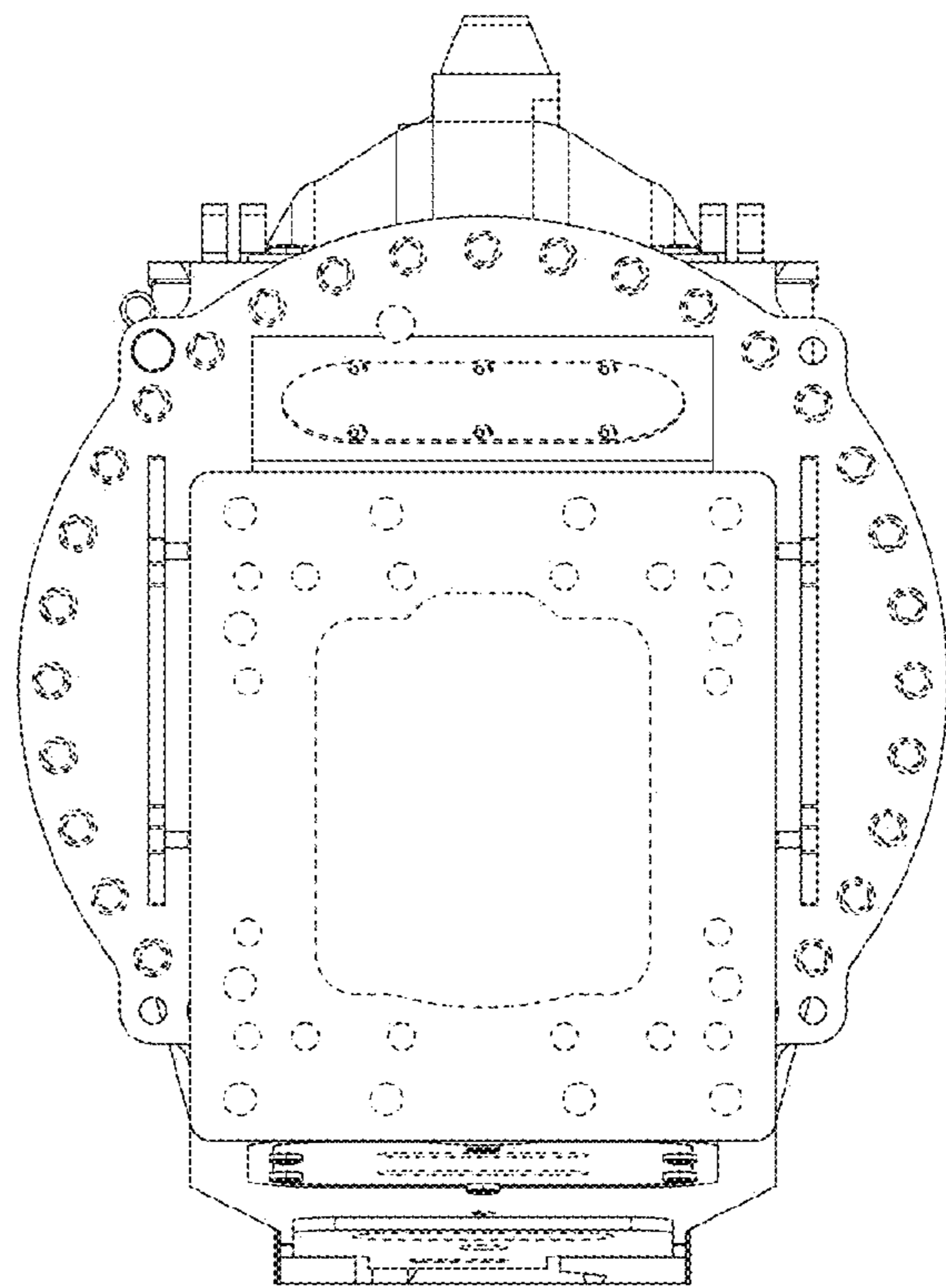


FIG. 9

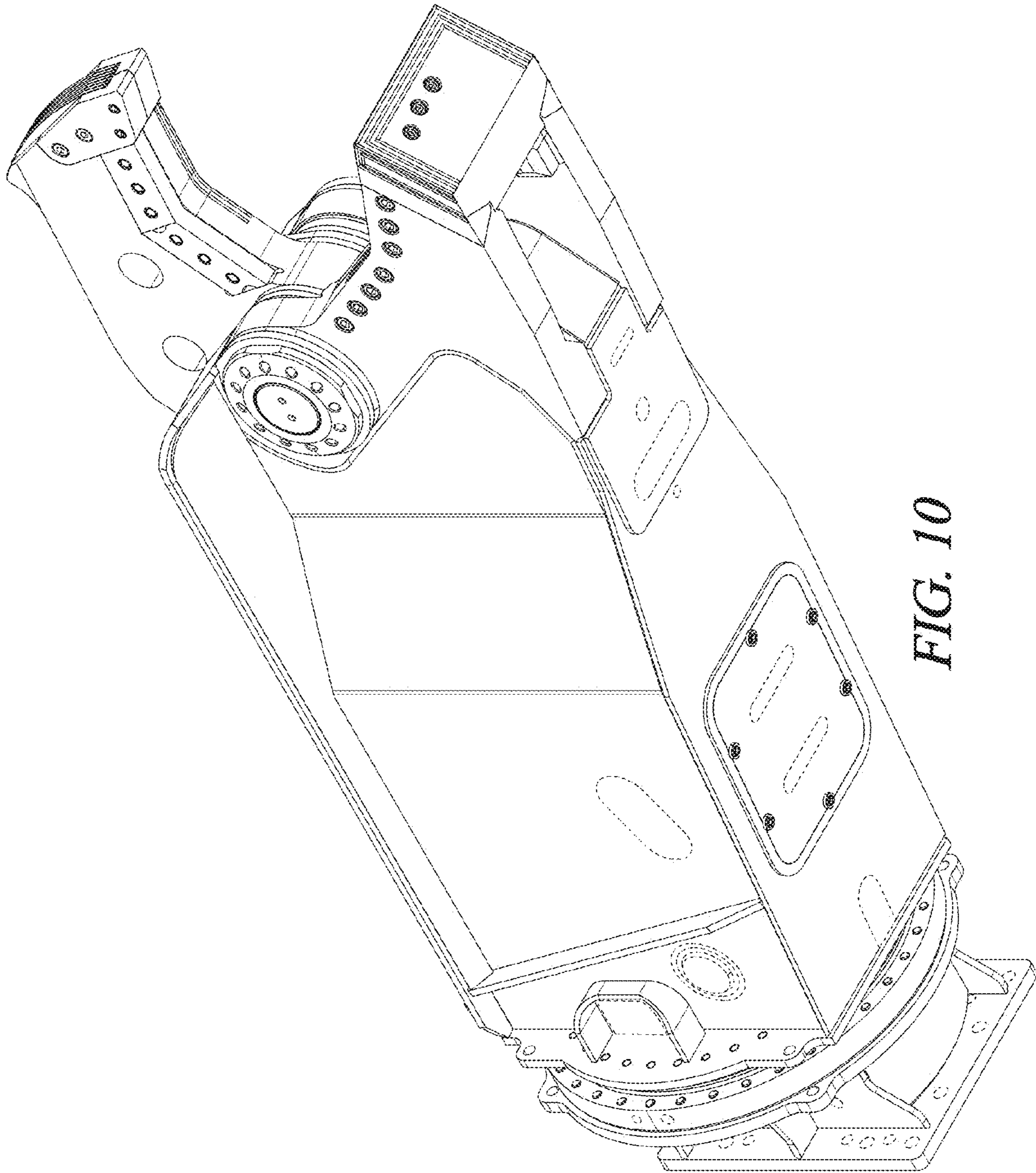


FIG. 10

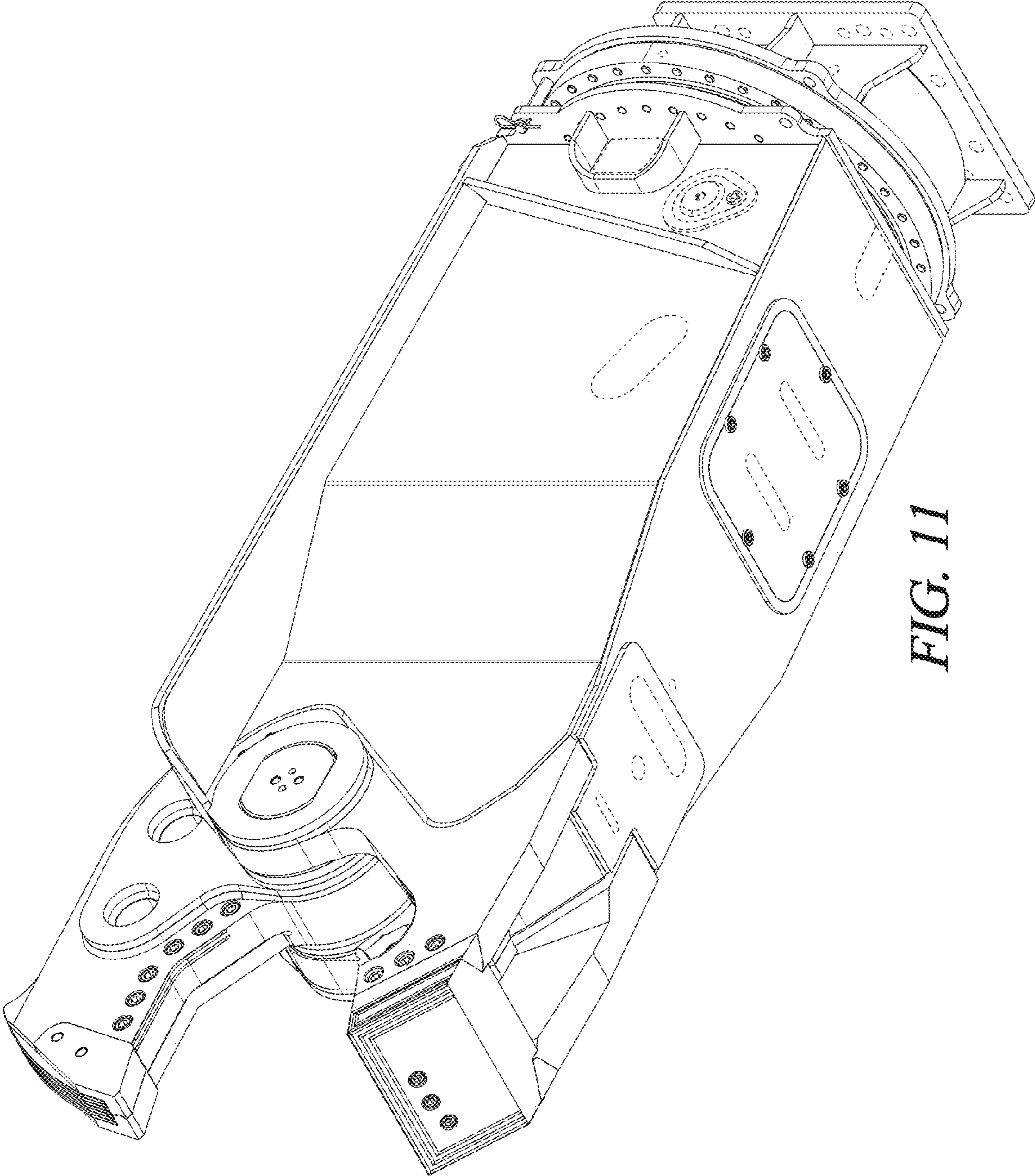


FIG. 11