



US00D943011S

(12) **United States Design Patent**
Besim et al.

(10) **Patent No.:** **US D943,011 S**

(45) **Date of Patent:** **** Feb. 8, 2022**

(54) **THREE DIMENSIONAL PRINTER**

(71) Applicants: **Bulent Besim**, South Melbourne (AU);
Stephen Weatherly, Miami, FL (US)

(72) Inventors: **Bulent Besim**, South Melbourne (AU);
Stephen Weatherly, Miami, FL (US)

(**) Term: **15 Years**

(21) Appl. No.: **29/736,597**

(22) Filed: **Jun. 1, 2020**

(51) **LOC (13) Cl.** **15-09**

(52) **U.S. Cl.**
USPC **D15/122**

(58) **Field of Classification Search**
USPC D15/122, 135, 138, 145, 146; D18/6-7,
D18/14, 19, 50, 54, 54.1, 55, 59
CPC .. B29C 47/12; B29C 67/0059; B29C 67/6659
See application file for complete search history.

(56) **References Cited**

U.S. PATENT DOCUMENTS

- 4,465,111 A * 8/1984 Nalbach B65B 1/22
141/165
- 5,885,511 A * 3/1999 Heller B29C 41/36
264/308
- 5,939,008 A * 8/1999 Comb B33Y 10/00
264/308
- 7,168,935 B1 * 1/2007 Taminger B23K 15/0073
219/121.12
- 8,252,223 B2 * 8/2012 Medina B33Y 70/00
264/401
- D739,885 S * 9/2015 Lee D15/122
- D765,745 S * 9/2016 Cheung D15/122
- D786,950 S * 5/2017 Armani D15/122
- D791,203 S * 7/2017 Zhang D15/122
- D799,568 S * 10/2017 Cesar D15/122

- D835,690 S * 12/2018 Issa D15/122
- 10,195,778 B2 * 2/2019 Wolf B33Y 30/00
- 2015/0079217 A1 * 3/2015 Oudsen B29C 67/0059
425/375
- 2015/0321426 A1 * 11/2015 Lee B33Y 40/00
264/40.7
- 2016/0096323 A1 * 4/2016 Fry B29C 67/0059
264/308
- 2016/0221261 A1 * 8/2016 Yamamoto B29C 64/40

* cited by examiner

Primary Examiner — Patricia A Palasik

(74) *Attorney, Agent, or Firm* — Muncy, Geissler, Olds & Lowe, P.C.

(57) **CLAIM**

The ornamental design for a three dimensional printer, as shown and described.

DESCRIPTION

FIG. 1 is a front perspective view of a three dimensional printer according to the present invention.

FIG. 2 is a back perspective view of the three dimensional printer of FIG. 1.

FIG. 3 is a front view of the three dimensional printer of FIG. 1.

FIG. 4 is a back view of the three dimensional printer of FIG. 1.

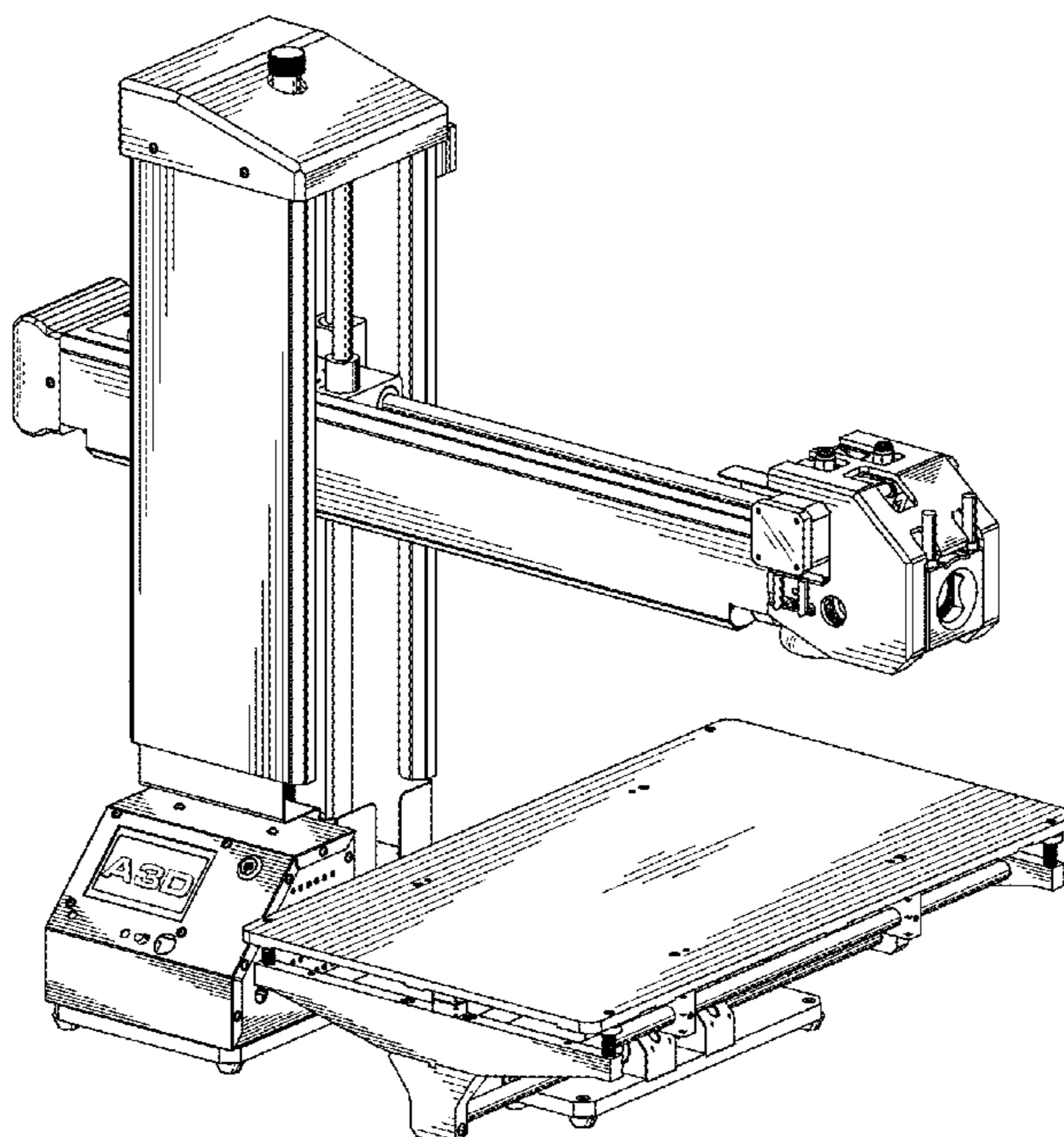
FIG. 5 is a left side view of the three dimensional printer of FIG. 1.

FIG. 6 is a right side view of the three dimensional printer of FIG. 1.

FIG. 7 is a top view of the three dimensional printer of FIG. 1; and,

FIG. 8 is a bottom view of the three dimensional printer of FIG. 1.

1 Claim, 8 Drawing Sheets



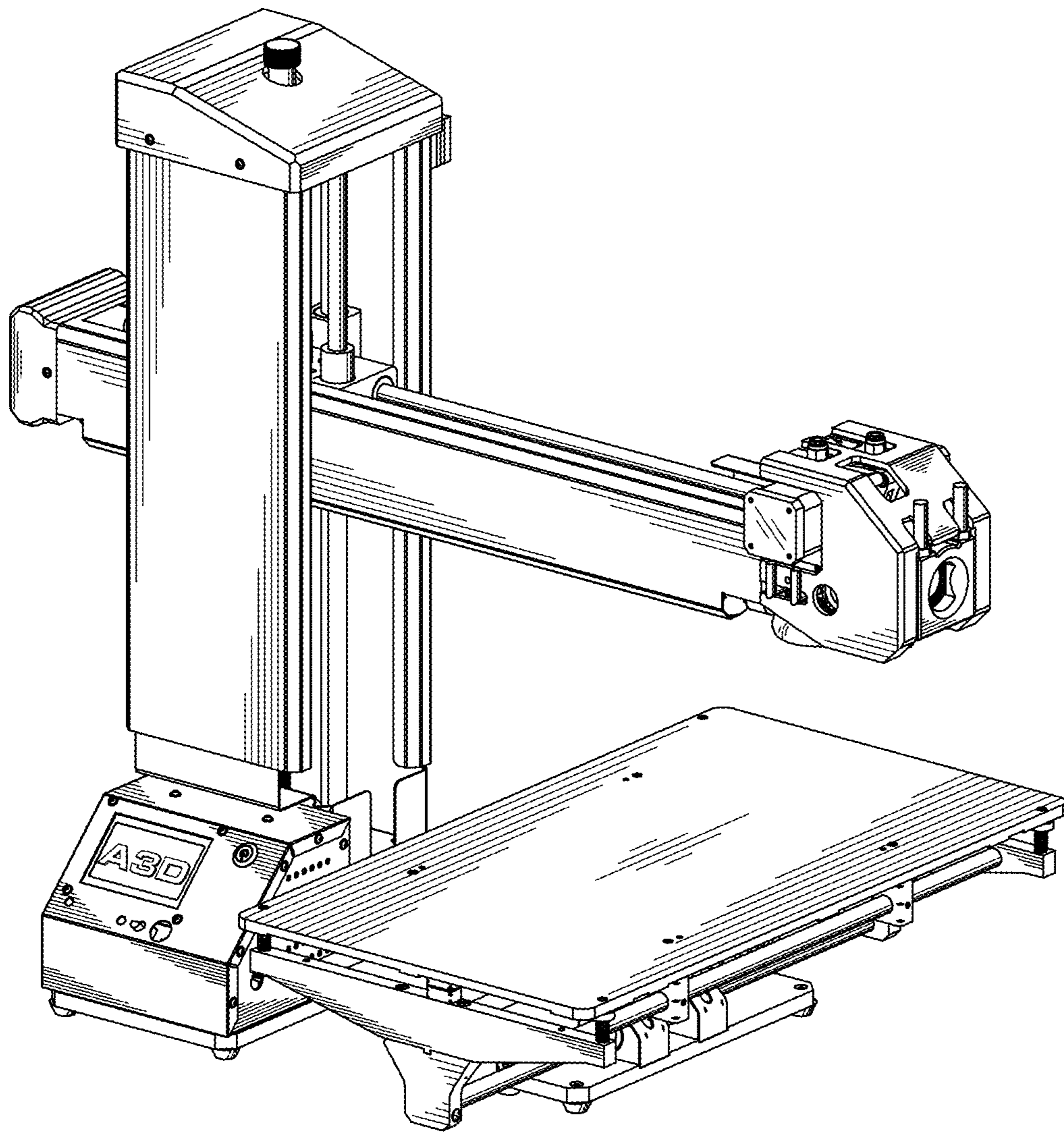


FIG. 1

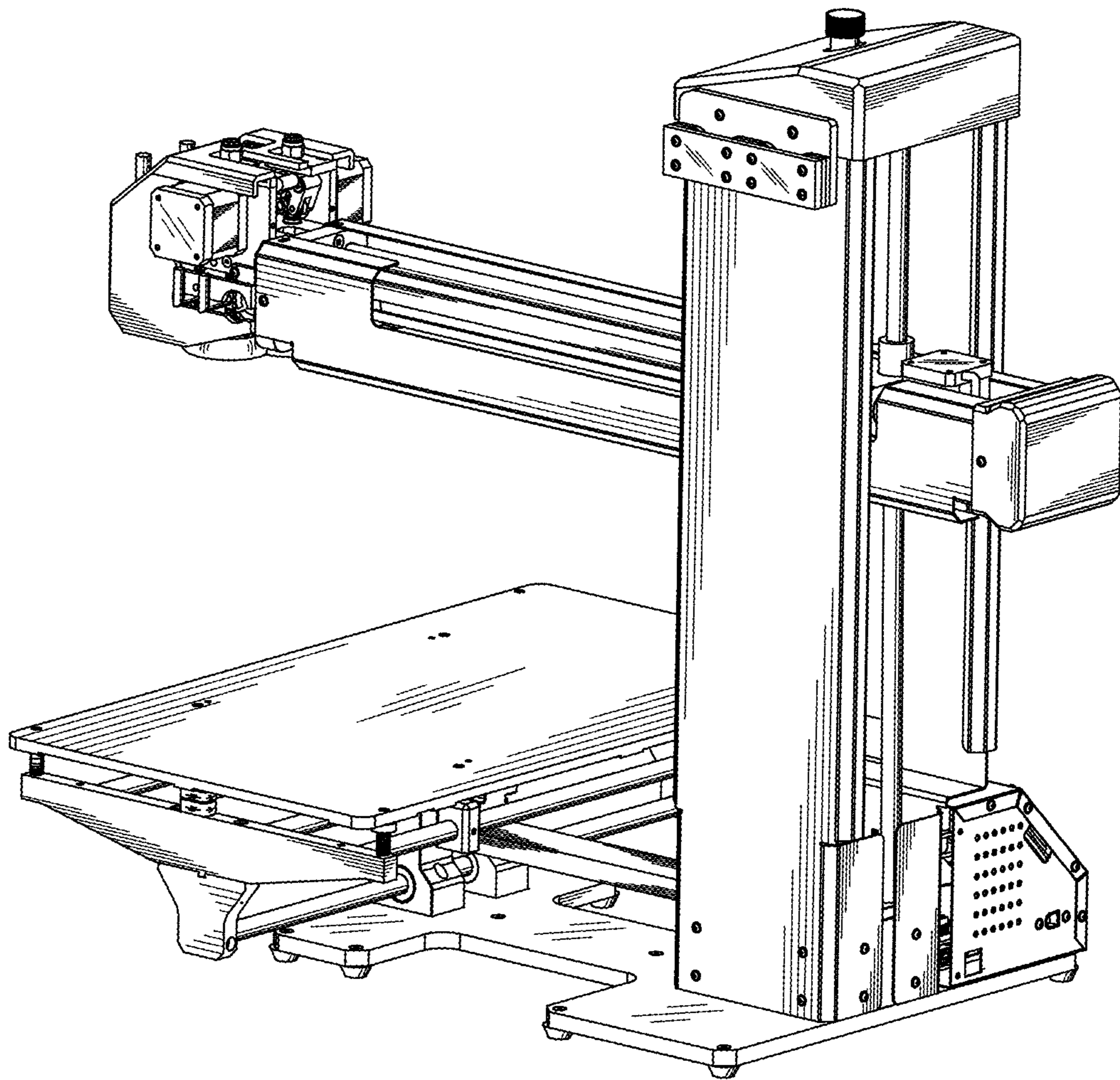


FIG. 2

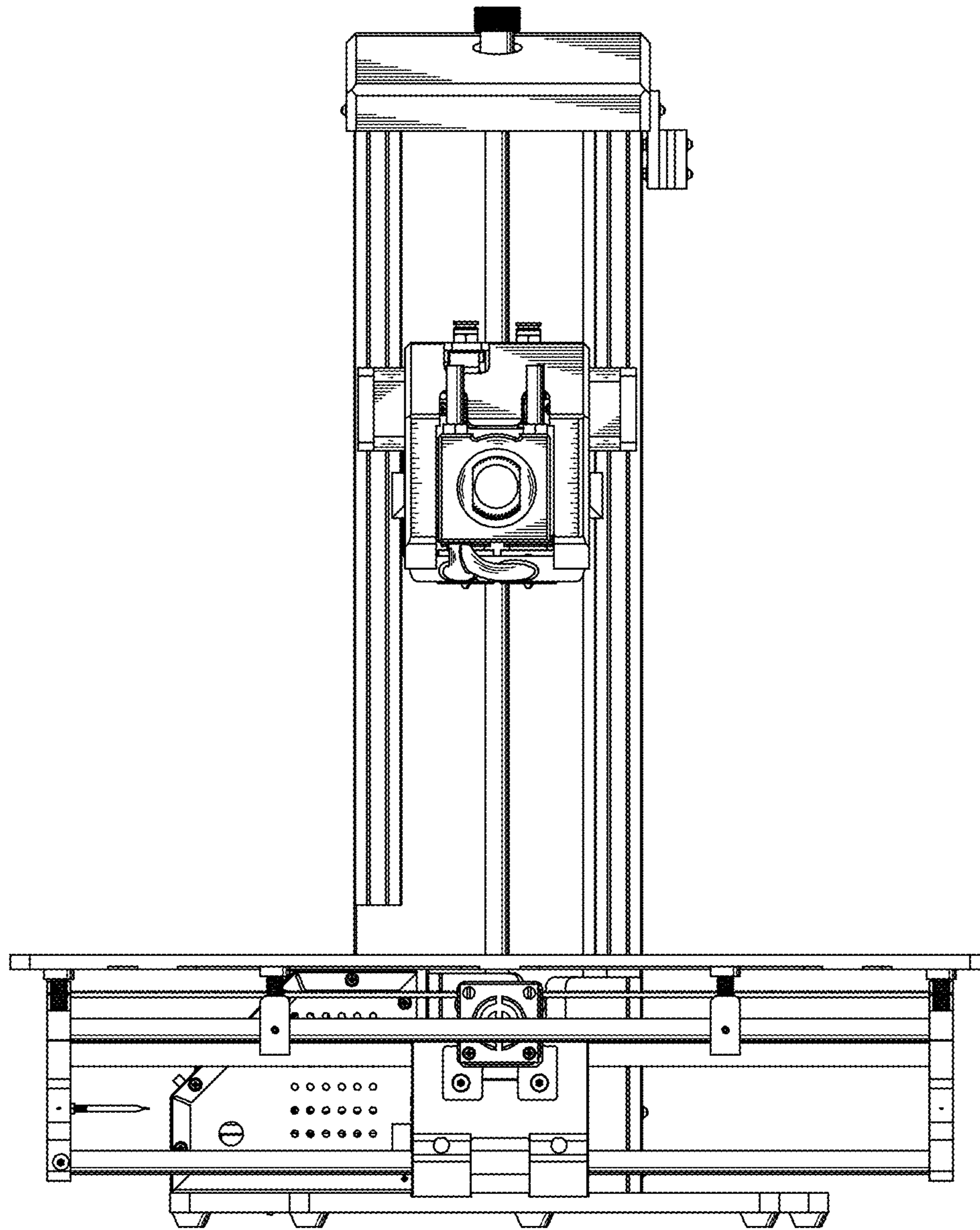


FIG. 3

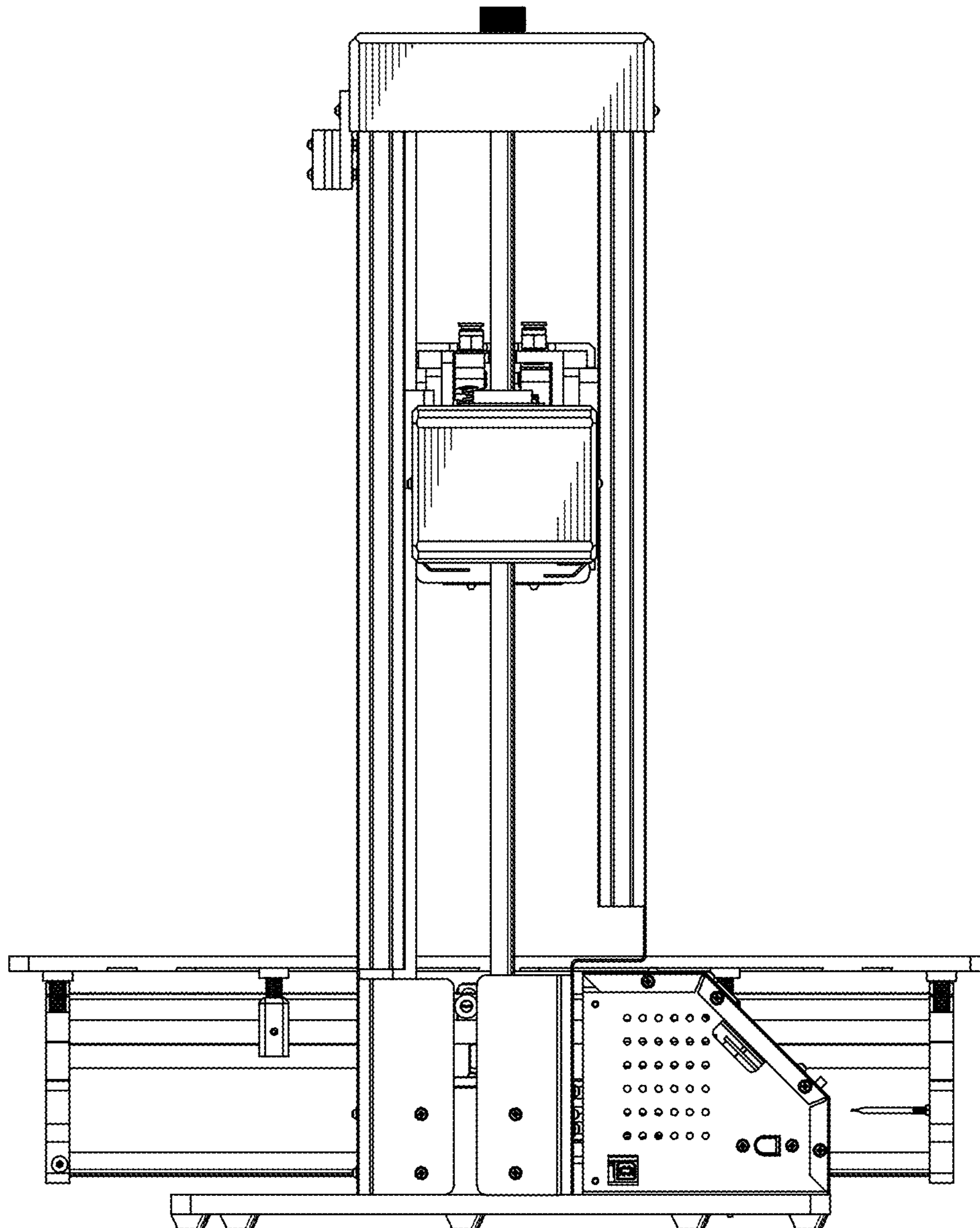


FIG. 4

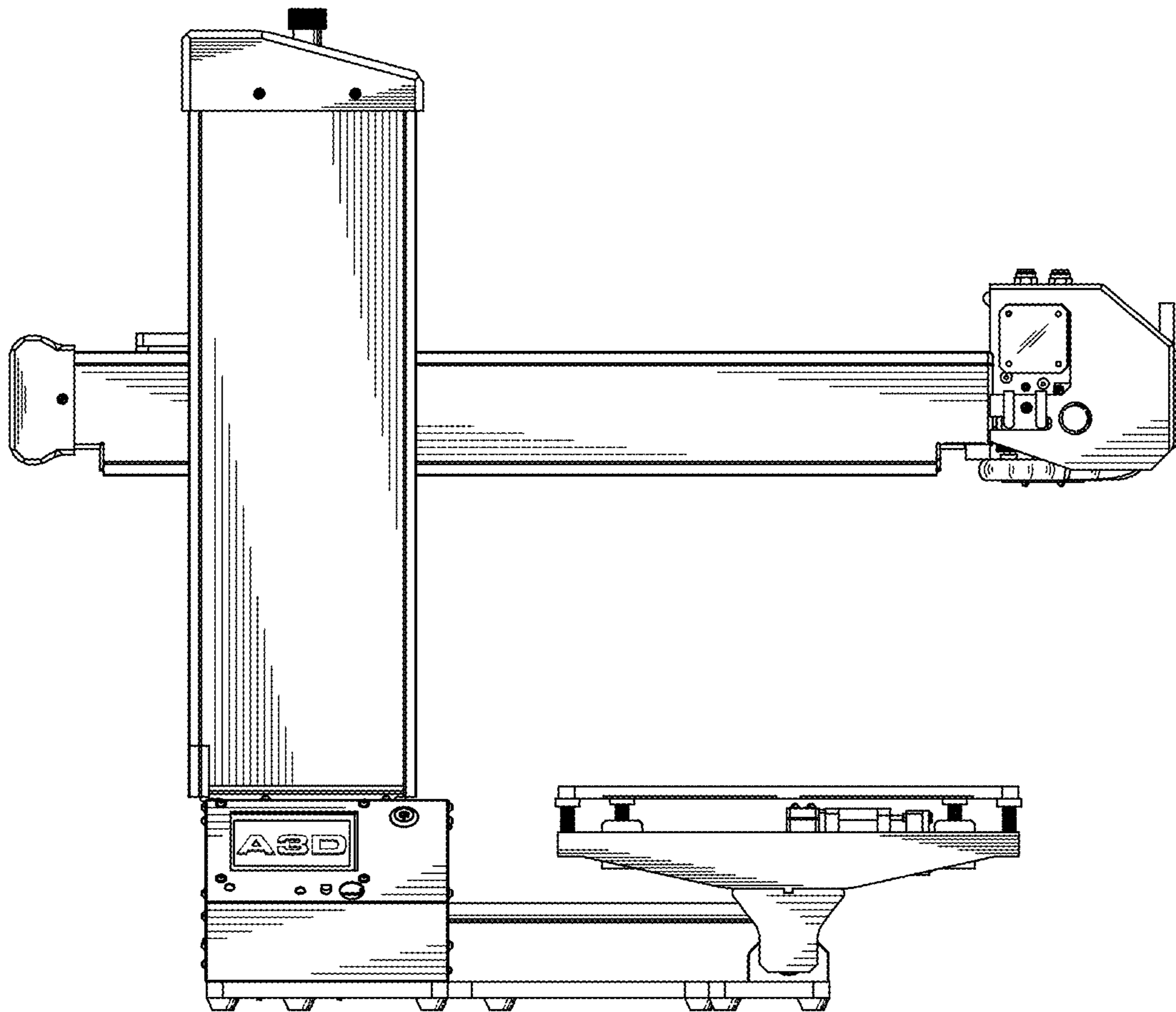


FIG. 5

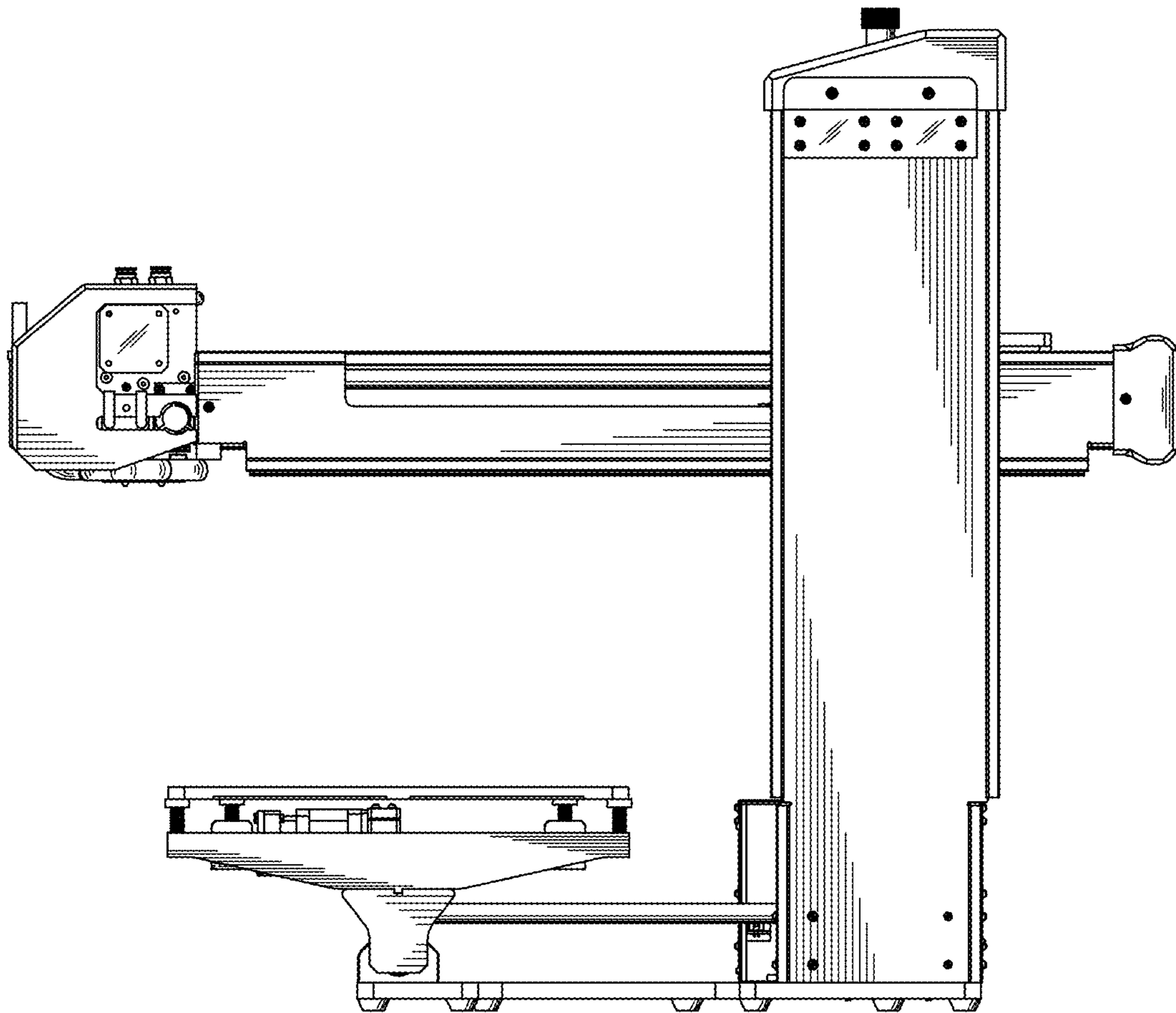


FIG. 6

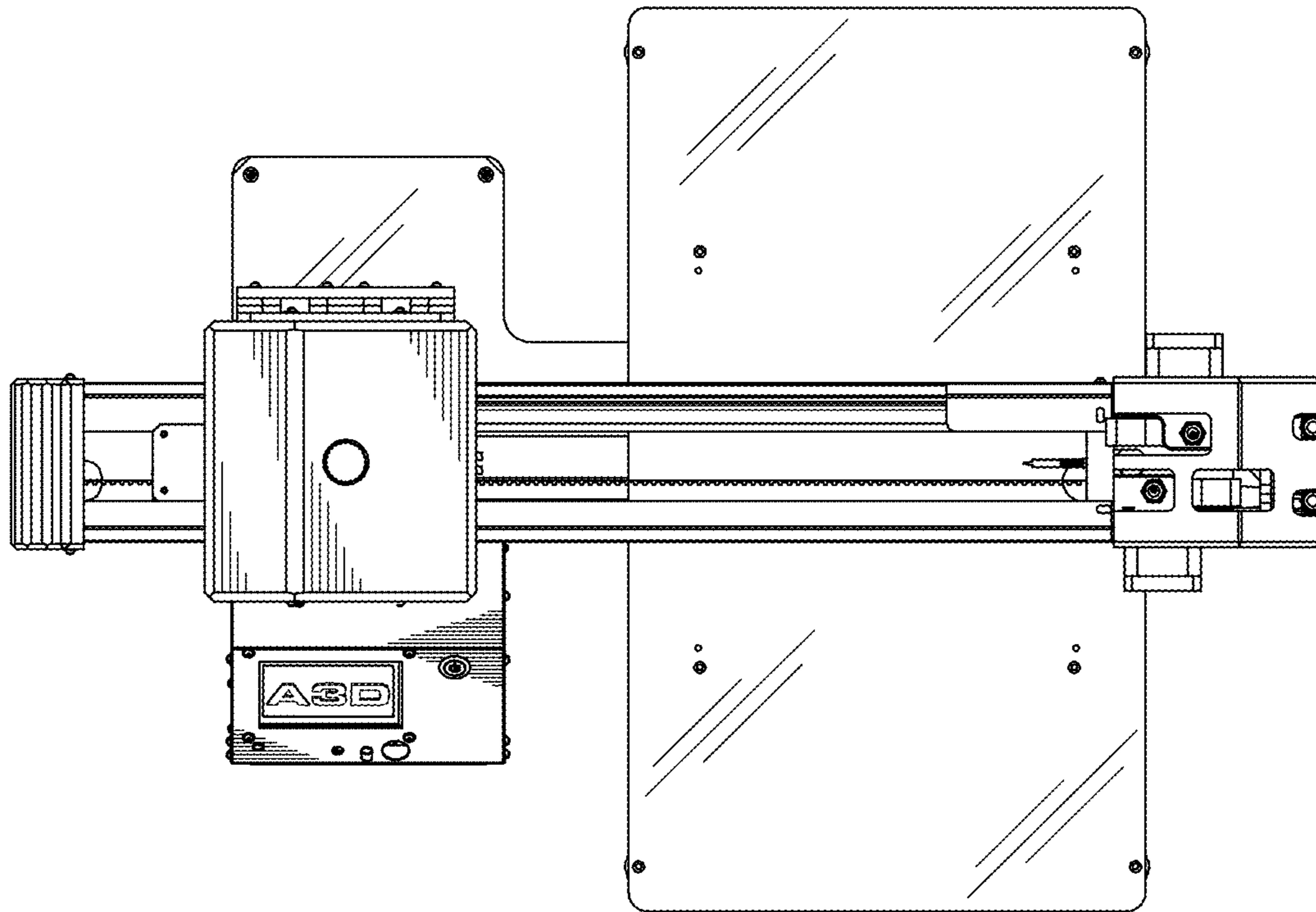


FIG. 7

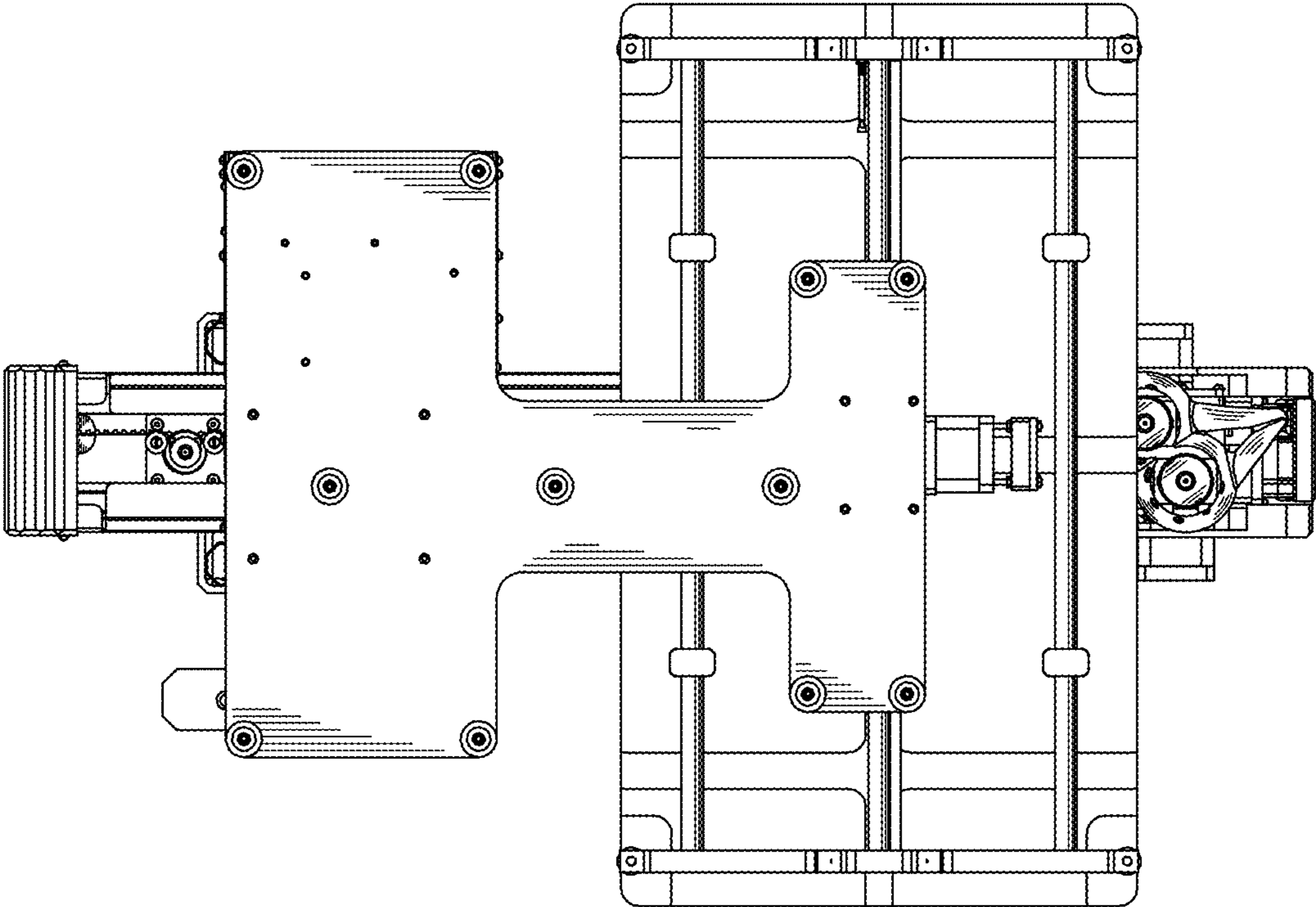


FIG. 8