



US00D943010S

(12) **United States Design Patent**
Das et al.

(10) **Patent No.:** **US D943,010 S**
(45) **Date of Patent:** **** Feb. 8, 2022**

- (54) **CAB EXTERIOR OF A TRACTOR**
- (71) Applicant: **DEERE & COMPANY**, Moline, IL (US)
- (72) Inventors: **Sushanta Das**, Grovetown, GA (US);
Michael R. Gratton, Asbury, IA (US);
Thorsten Hagner, Ilvesheim (DE);
Austin L. Begg, Waterloo, IA (US);
Doyle Friederich, Denver, IA (US);
Felix Nagelin, Malibu, CA (US);
Alberto Mantilla, New York, NY (US);
Anthony J. Baxter, Montclair, NJ (US);
Sebastian Himpel, Mannheim (DE)
- (73) Assignee: **DEERE & COMPANY**, Moline, IL (US)

D513,415 S	1/2006	Klein et al.	
D528,134 S	9/2006	Vandendriessche et al.	
D531,646 S	11/2006	McCarren, Jr. et al.	
D535,310 S	1/2007	Kuwae et al.	
D546,841 S	7/2007	McCarren, Jr. et al.	
D596,204 S	7/2009	Kuwae et al.	
D668,693 S	10/2012	Ringer	
D674,411 S	1/2013	Masumoto et al.	
D681,691 S *	5/2013	Takagi	D15/30
D686,643 S	7/2013	Kinoshita et al.	
D721,742 S	1/2015	Lee et al.	
D741,236 S	10/2015	Schnering et al.	
D749,148 S	2/2016	Darekar et al.	
D754,213 S	4/2016	Okuyama et al.	
D766,337 S *	9/2016	Okuyama	D15/30
D774,111 S *	12/2016	Underhill	D15/30
D780,235 S *	2/2017	Kim	D15/30
D782,547 S *	3/2017	Okuyama	D15/30
D782,548 S *	3/2017	Okuyama	D15/30

(Continued)

(**) Term: **15 Years**

Primary Examiner — Mark A Goodwin

(21) Appl. No.: **29/652,490**

(57) **CLAIM**

(22) Filed: **Sep. 3, 2020**

The ornamental design for a cab exterior of a tractor, as shown and described.

(51) **LOC (13) Cl.** **15-03**

(52) **U.S. Cl.**
USPC **D15/30**

DESCRIPTION

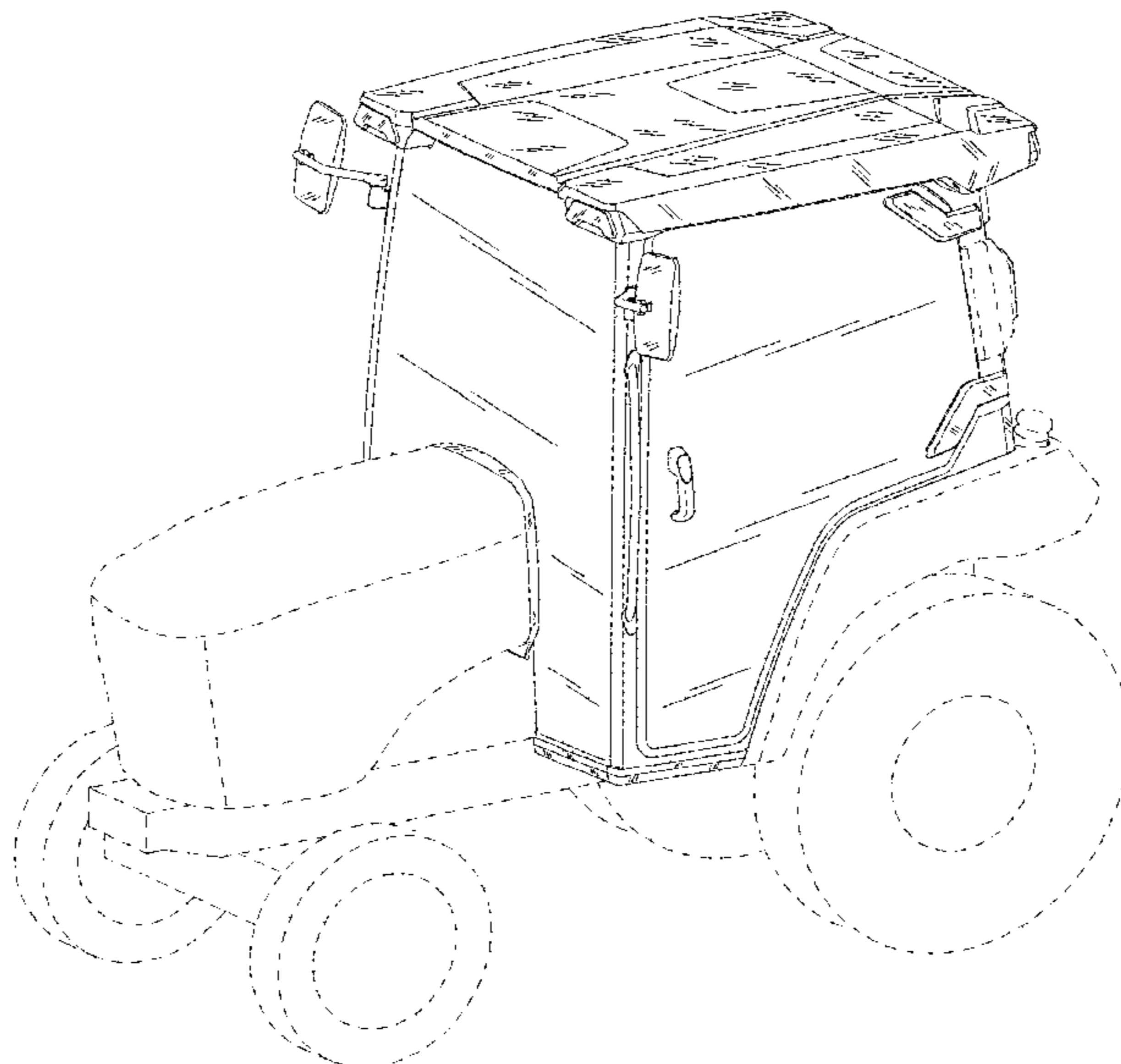
(58) **Field of Classification Search**
USPC D15/28, 30, 31, 22–26; D34/37;
180/89.11, 89.12, 89.13, 89.19, 900;
296/190.01, 190.08, 210, 190, 202
CPC .. B66C 13/54; E02F 9/16; E02F 9/163; E02F
9/06; B62D 33/0617; B62D 49/00–085;
B62D 33/06–073; B60J 7/00; B60J 1/004;
B60J 1/02; B60J 1/04; B60J 5/0487
See application file for complete search history.

FIG. 1 is a top, front, left perspective view of a cab exterior of a tractor showing our new design.
FIG. 2 is a left side elevational view thereof.
FIG. 3 is a right side elevational view thereof.
FIG. 4 is a front view thereof.
FIG. 5 is a rear view thereof.
FIG. 6 is a top plan view thereof; and,
FIG. 7 is a bottom plan view thereof.
The ornamental design which is claimed is shown in solid lines in the drawings. The portions of the design shown in broken lines or dashed lines are included for the purpose of illustrating environment and form no part of the claimed invention.

(56) **References Cited**
U.S. PATENT DOCUMENTS

D275,199 S	8/1984	Schmidt et al.
D321,517 S	11/1991	Katoh et al.

1 Claim, 7 Drawing Sheets



(56)

References Cited

U.S. PATENT DOCUMENTS

D805,113 S 12/2017 Jacobsthal et al.
D842,349 S 3/2019 Kim et al.

* cited by examiner

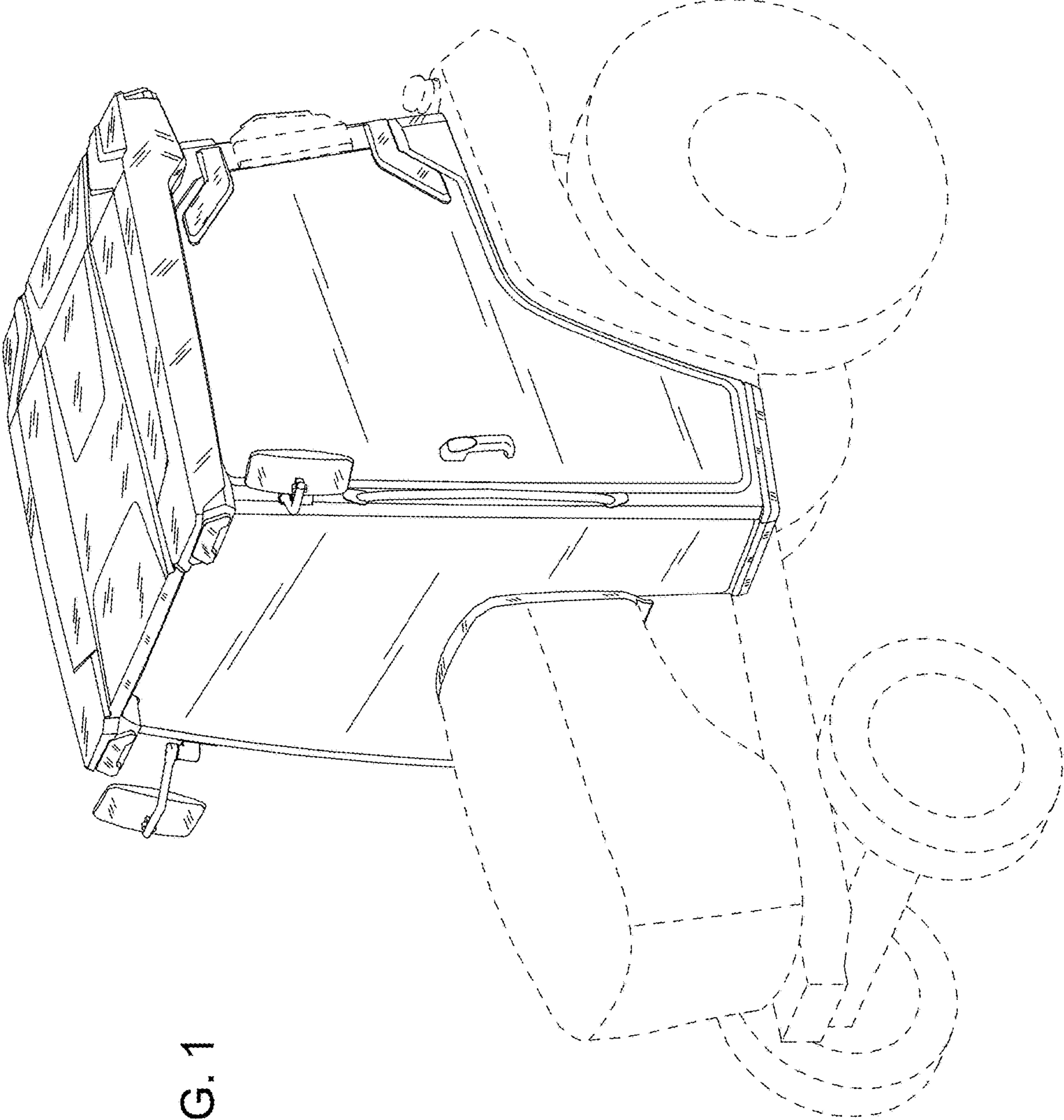


FIG. 1

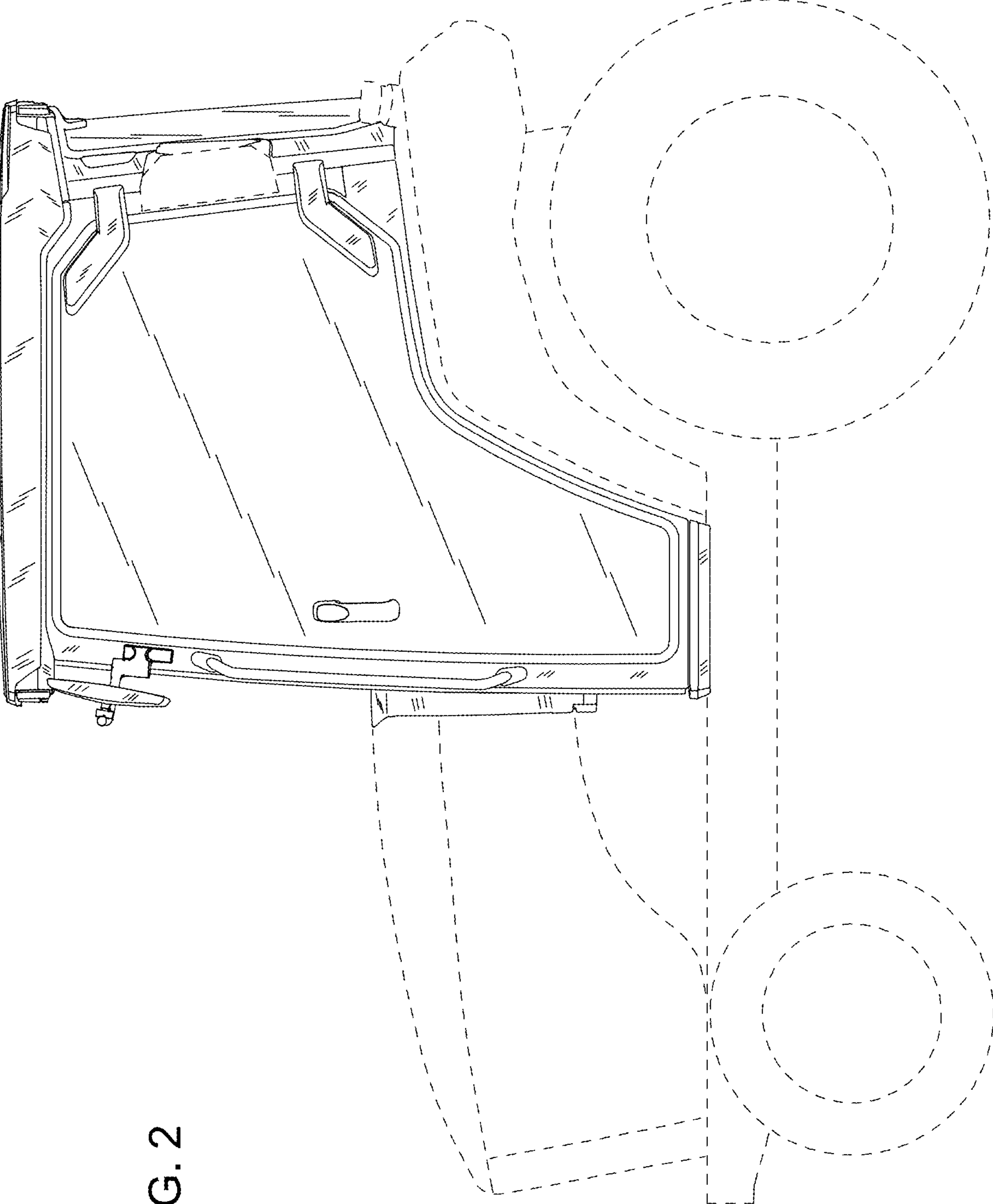
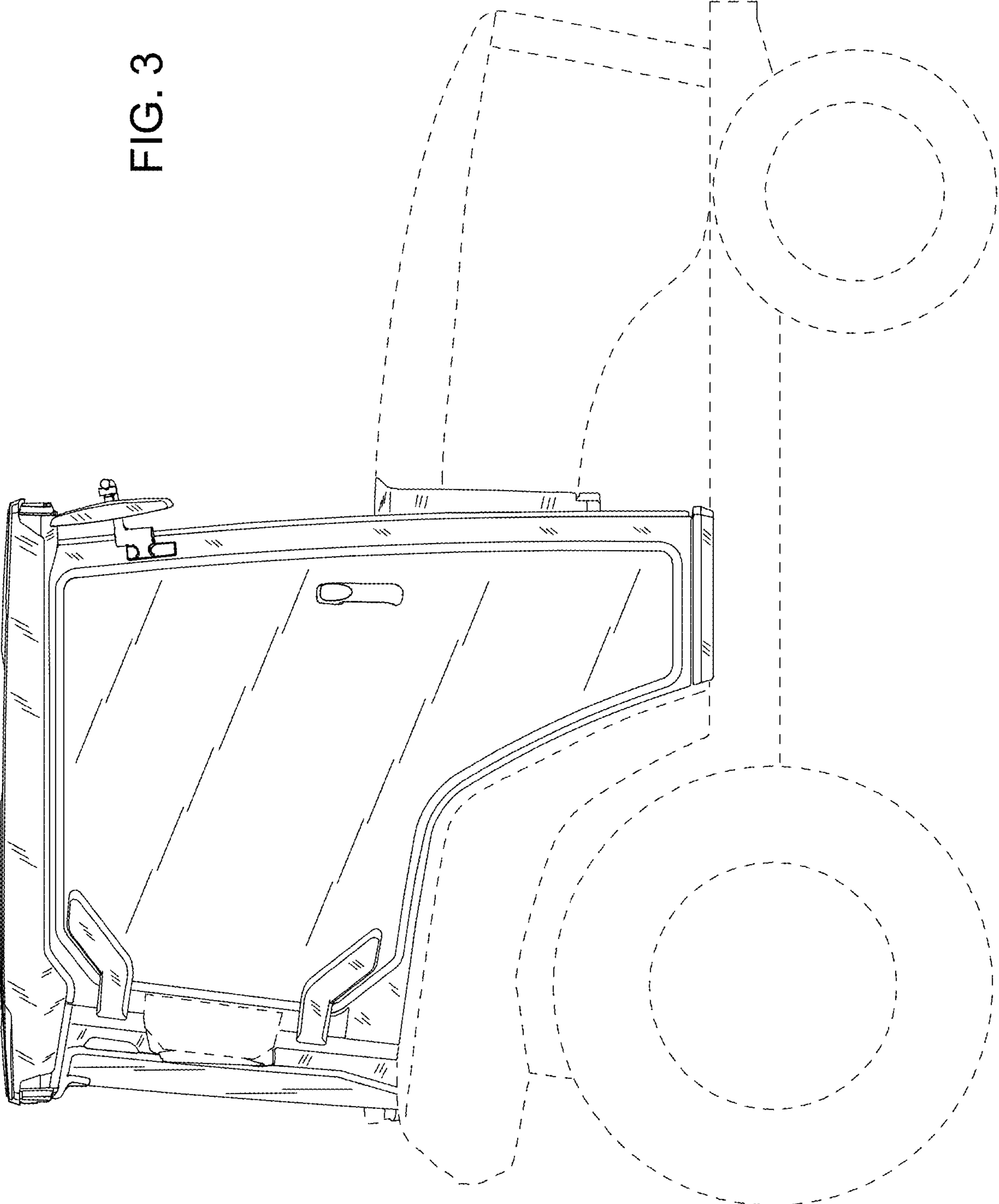


FIG. 2

FIG. 3



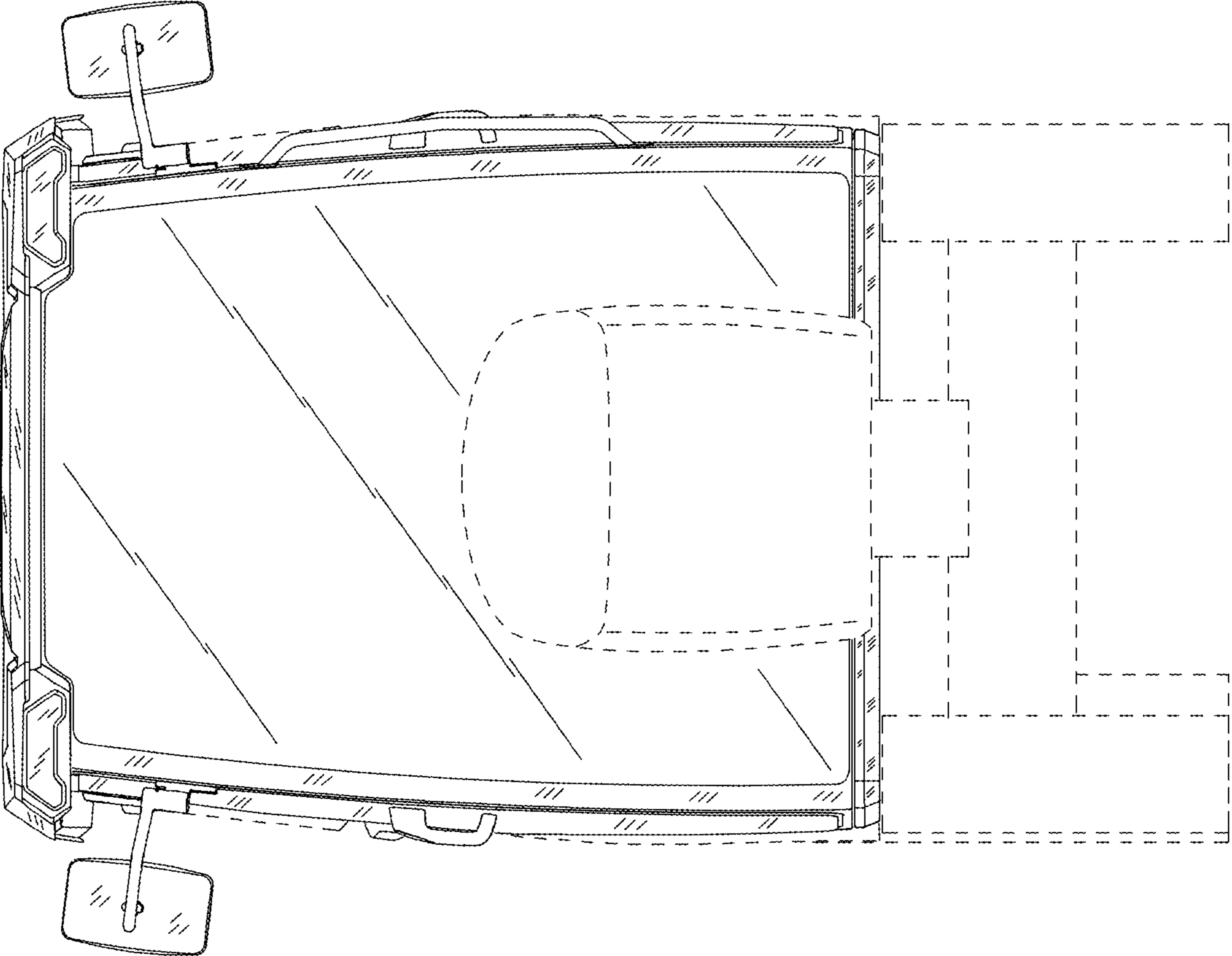


FIG. 4

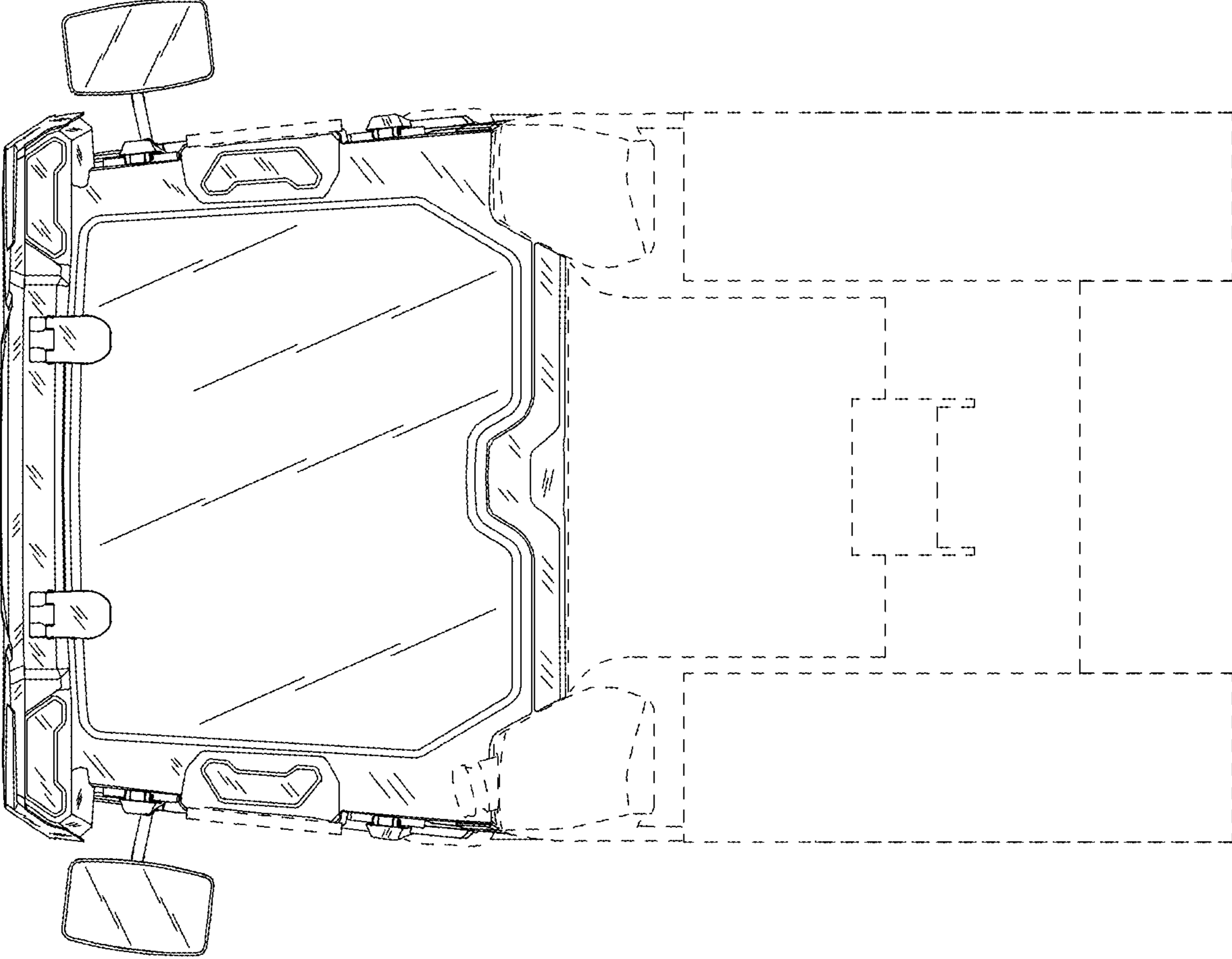


FIG. 5

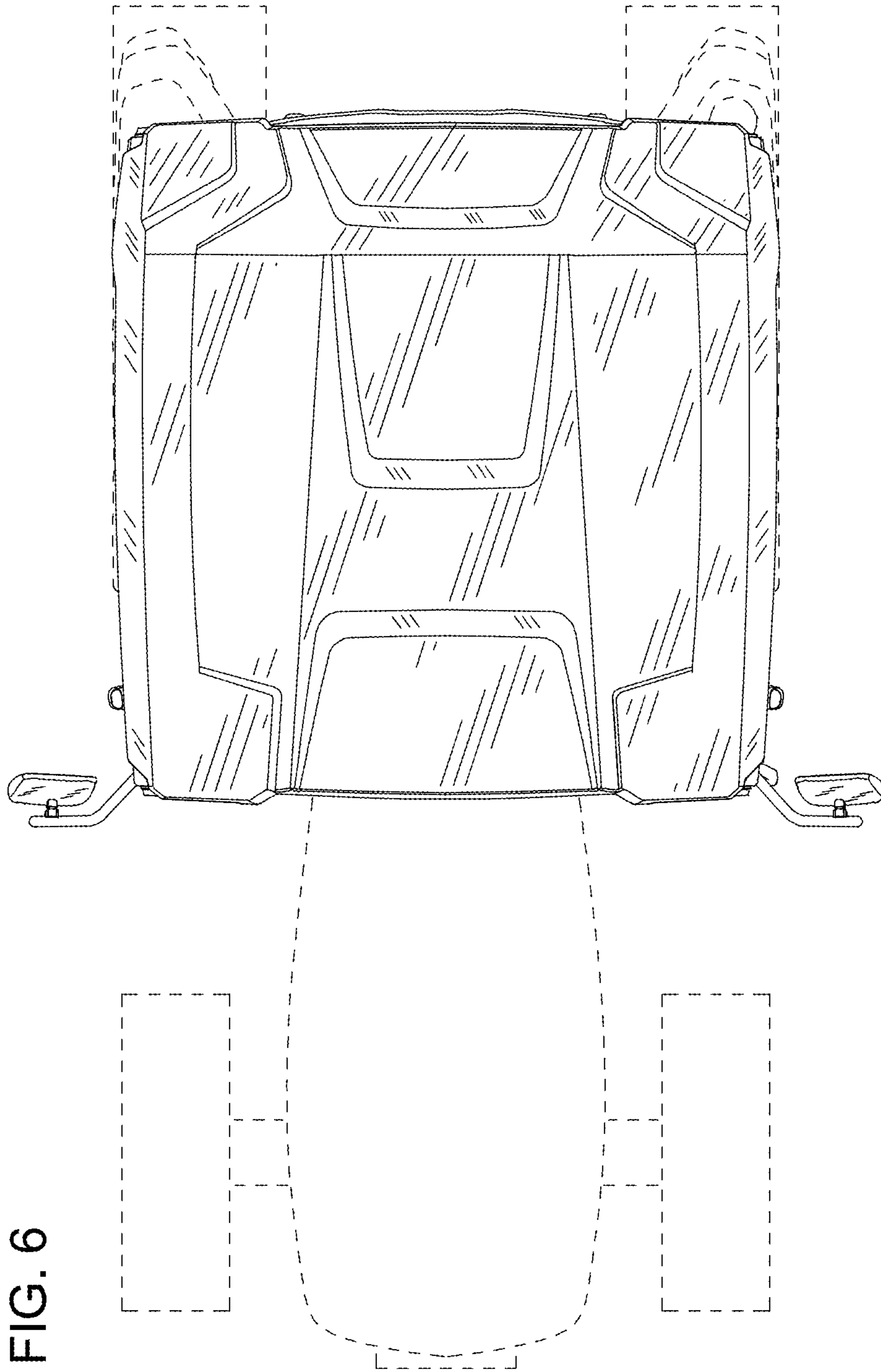


FIG. 6

