



US00D943009S

(12) **United States Design Patent** (10) **Patent No.:** **US D943,009 S**  
**Currey** (45) **Date of Patent:** **\*\* Feb. 8, 2022**

(54) **BUCKET** 5,771,612 A \* 6/1998 Lynch ..... E02F 3/405  
37/142.5  
(71) Applicant: **Albert Ben Currey**, Phoenix, AZ (US) D437,602 S \* 2/2001 Hiraoka ..... D15/25  
6,364,119 B1 4/2002 Graham  
(72) Inventor: **Albert Ben Currey**, Phoenix, AZ (US) 6,375,012 B1 4/2002 Leyland et al.  
6,408,551 B1 \* 6/2002 Pettersson ..... B07B 1/12  
37/409

(\*\*) Term: **15 Years**

(Continued)

(21) Appl. No.: **29/747,913**

*Primary Examiner* — Mark A Goodwin

(22) Filed: **Aug. 26, 2020**

(74) *Attorney, Agent, or Firm* — Schmeiser, Olsen & Watts, LLP

**Related U.S. Application Data**

(63) Continuation of application No. 16/675,853, filed on Nov. 6, 2019, now abandoned.

(51) **LOC (13) Cl.** ..... **15-04**

(52) **U.S. Cl.**  
USPC ..... **D15/28**

(58) **Field of Classification Search**  
USPC ..... D15/21, 25, 28, 32, 33  
CPC ..... B07B 1/00; B07B 1/28; E02F 7/00; E02F 7/06; E02F 5/226

See application file for complete search history.

(56) **References Cited**

**U.S. PATENT DOCUMENTS**

3,765,490 A \* 10/1973 Logue ..... E02F 7/06  
171/132  
3,834,534 A \* 9/1974 Peterson ..... B07B 1/28  
209/326  
4,157,956 A 6/1979 Robinson  
D332,271 S \* 1/1993 DuBose ..... D15/32  
5,240,366 A \* 8/1993 Bamford ..... B60K 20/00  
212/261  
5,398,430 A \* 3/1995 Scott ..... E02F 3/3681  
37/142.5  
5,493,796 A 2/1996 Ballew et al.  
5,531,561 A \* 7/1996 Rae ..... E02F 3/6273  
414/686

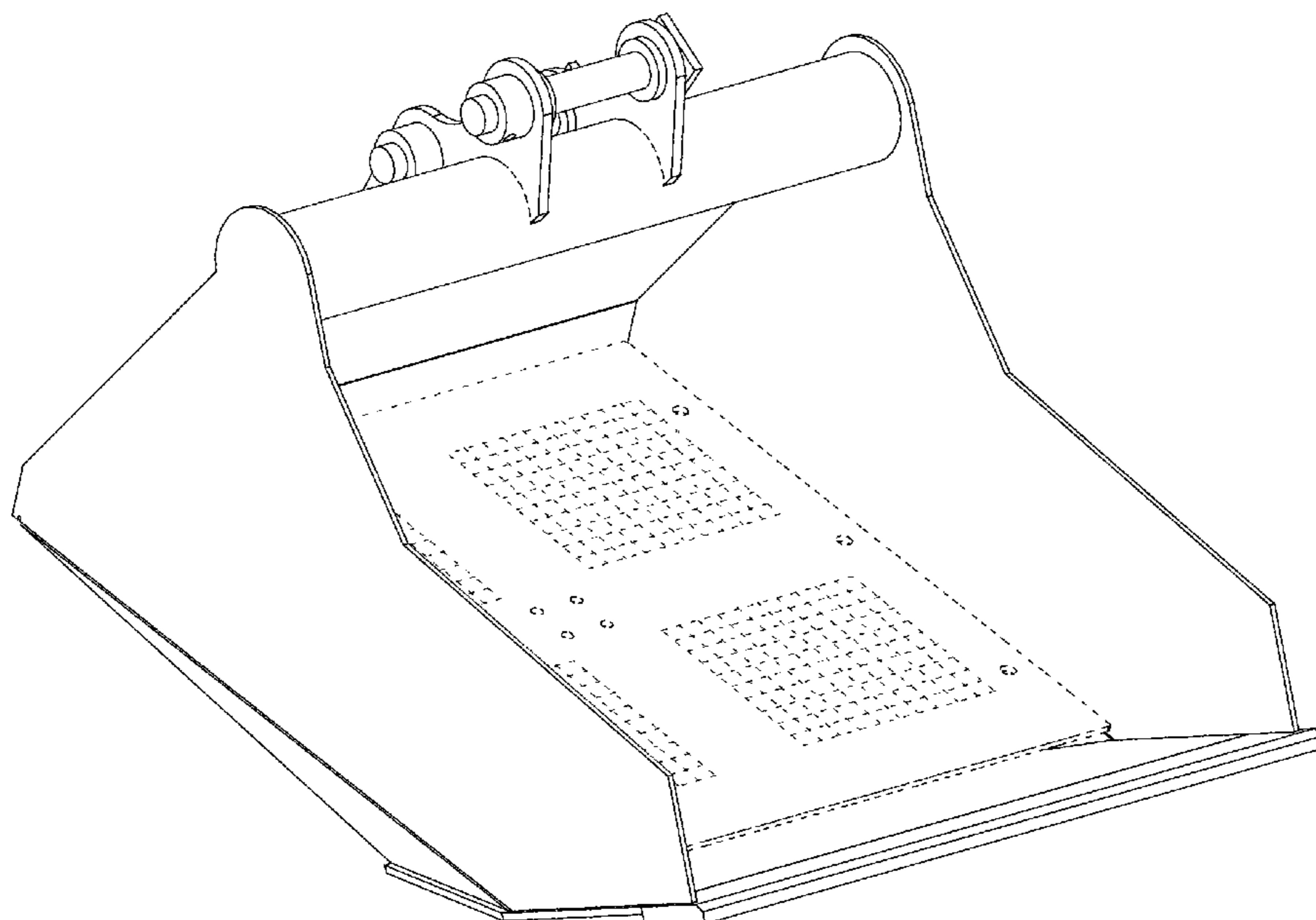
(57) **CLAIM**

An ornamental design for a bucket, as shown and described.

**DESCRIPTION**

FIG. 1 is a top perspective view of a bucket showing our new design with the screen portion shown in broken line; FIG. 2 is another perspective view of the bucket of FIG. 1 shown without the screen; FIG. 3 is a bottom view of the bucket of FIG. 1; FIG. 4 is a top view of the bucket of FIG. 1; FIG. 5 is a right side view of the bucket of FIG. 1; FIG. 6 is a left side view of the bucket of FIG. 1; FIG. 7 is a front view of the bucket of FIG. 1; FIG. 8 is a rear view of the bucket of FIG. 1; FIG. 9 is a rear perspective view of the bucket of FIG. 1; FIG. 10 is a front perspective view of the bucket of FIG. 1; FIG. 11 is another perspective view of the bucket of FIG. 1; FIG. 12 is a front view of the bucket of FIG. 1 showing the bottom surface of the bucket as a flat surface; and, FIG. 13 is a right side view of the bucket of FIG. 1 showing material in broken lines being screened. The broken line showing of a vibrating screen in FIG. 1, the material in FIG. 13, and the component interface portion of the bucket is included for illustrating environmental purposes only and forms no part of the claimed design.

**1 Claim, 13 Drawing Sheets**



(56)

References Cited

U.S. PATENT DOCUMENTS

D460,975 S \* 7/2002 Yanagida ..... D15/25  
 6,725,942 B2 \* 4/2004 Stevens ..... A01B 77/00  
 172/118  
 6,834,447 B1 12/2004 Currey  
 7,066,275 B1 6/2006 Keigley  
 D534,552 S \* 1/2007 Yanagida ..... D15/25  
 7,204,046 B2 4/2007 Currey  
 7,445,122 B2 \* 11/2008 Currey ..... B07B 1/15  
 209/671  
 7,549,544 B1 \* 6/2009 Currey ..... B07B 1/15  
 209/662  
 7,591,379 B2 \* 9/2009 Turnbull ..... B01F 9/04  
 209/419  
 D616,469 S \* 5/2010 Ballinger ..... D15/32  
 8,360,249 B1 \* 1/2013 Currey ..... B02C 23/16  
 209/671  
 8,893,409 B1 \* 11/2014 Rossi, Jr. .... E02F 3/407  
 37/444  
 9,080,314 B1 7/2015 Rossi, Jr.  
 D748,157 S \* 1/2016 Phillips ..... D15/32  
 9,546,467 B2 1/2017 Paski  
 9,631,340 B2 4/2017 Zimmerman  
 D788,181 S \* 5/2017 Deleon ..... D15/28  
 9,644,342 B1 \* 5/2017 Meyers ..... B07B 1/42  
 D840,439 S \* 2/2019 Schlessner ..... D15/28  
 2004/0040724 A1 \* 3/2004 Stevens ..... A01B 43/00  
 171/111  
 2020/0199846 A1 \* 6/2020 Dunstan ..... B07B 13/16

\* cited by examiner

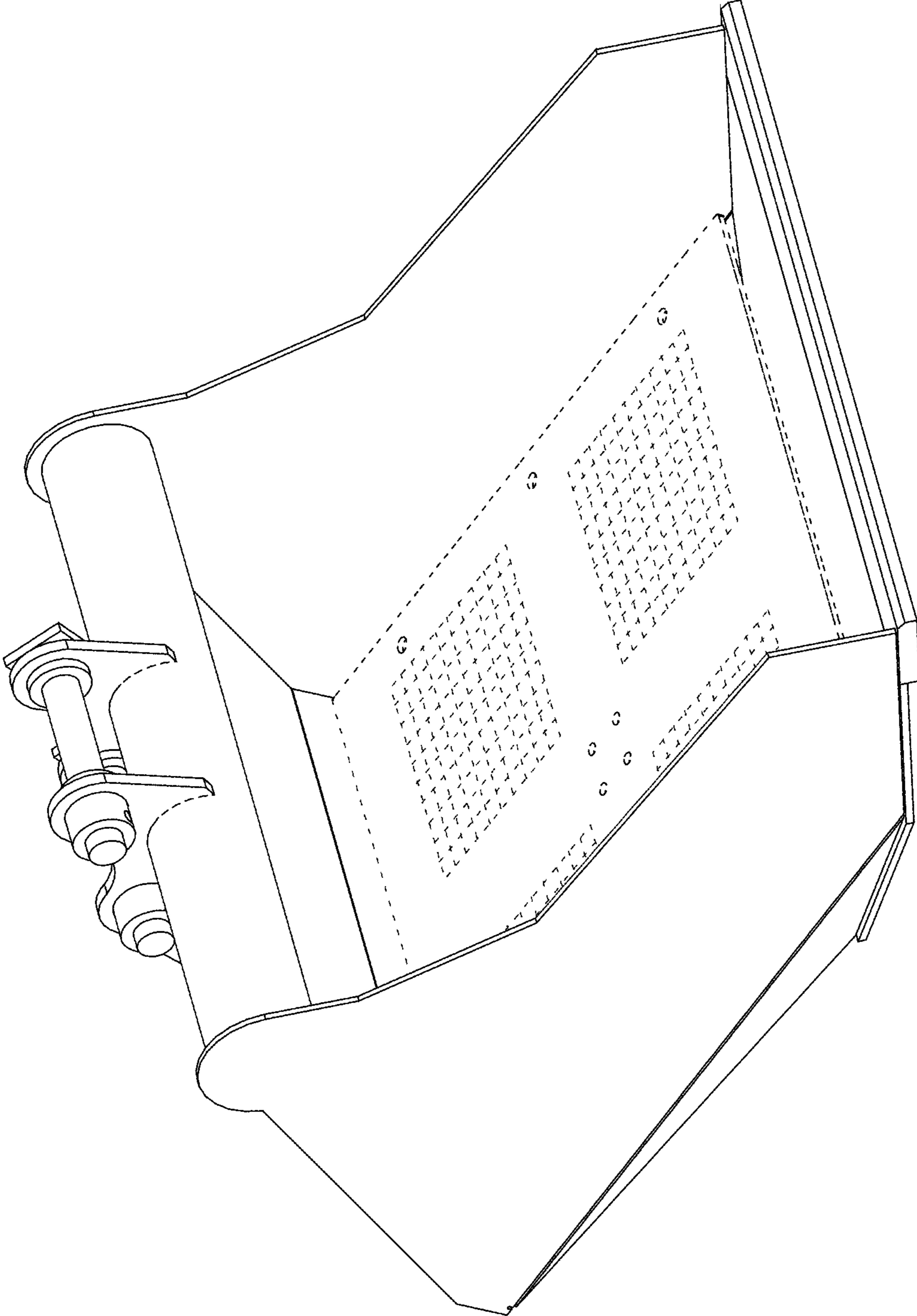


FIG. 1

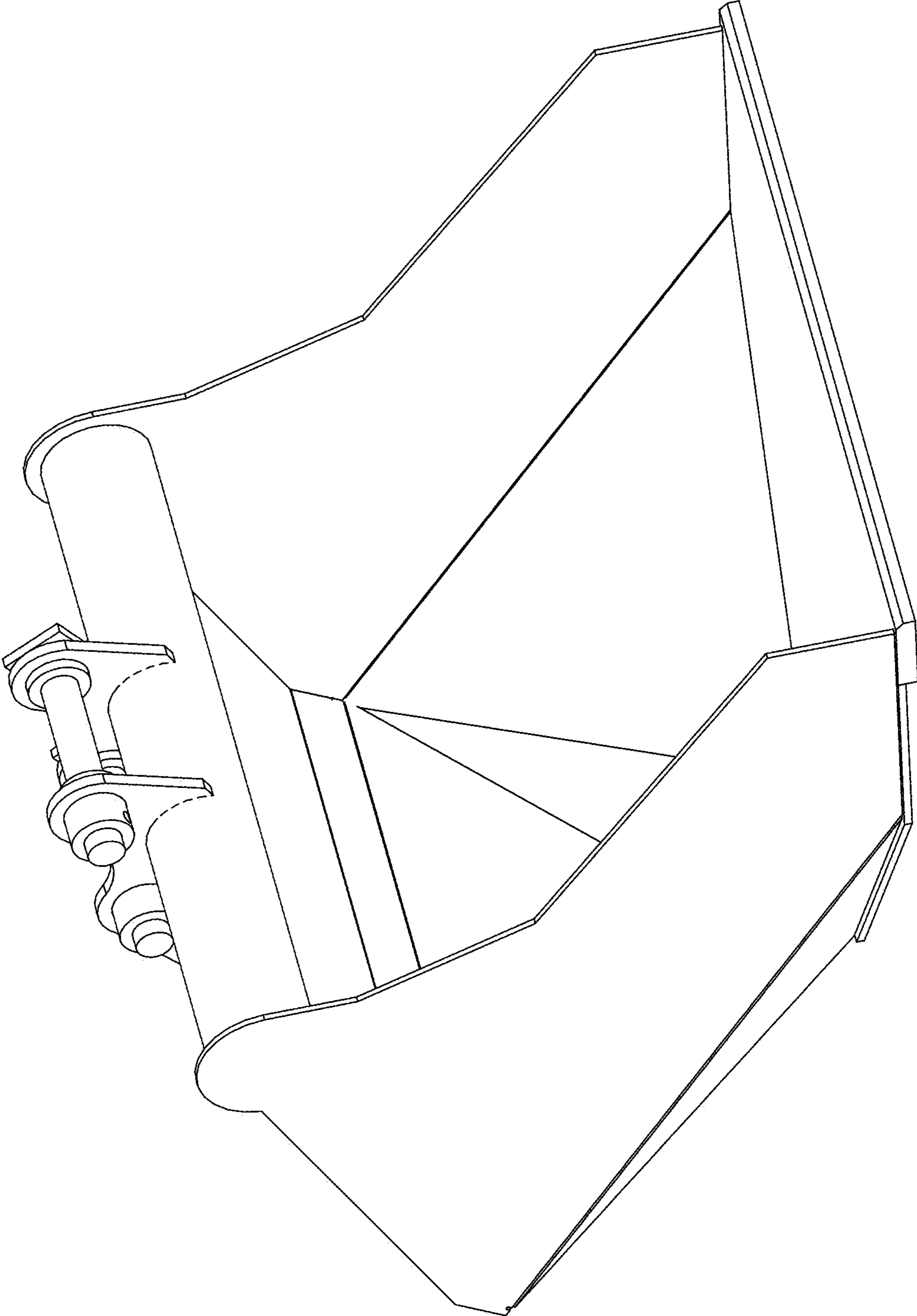


FIG. 2

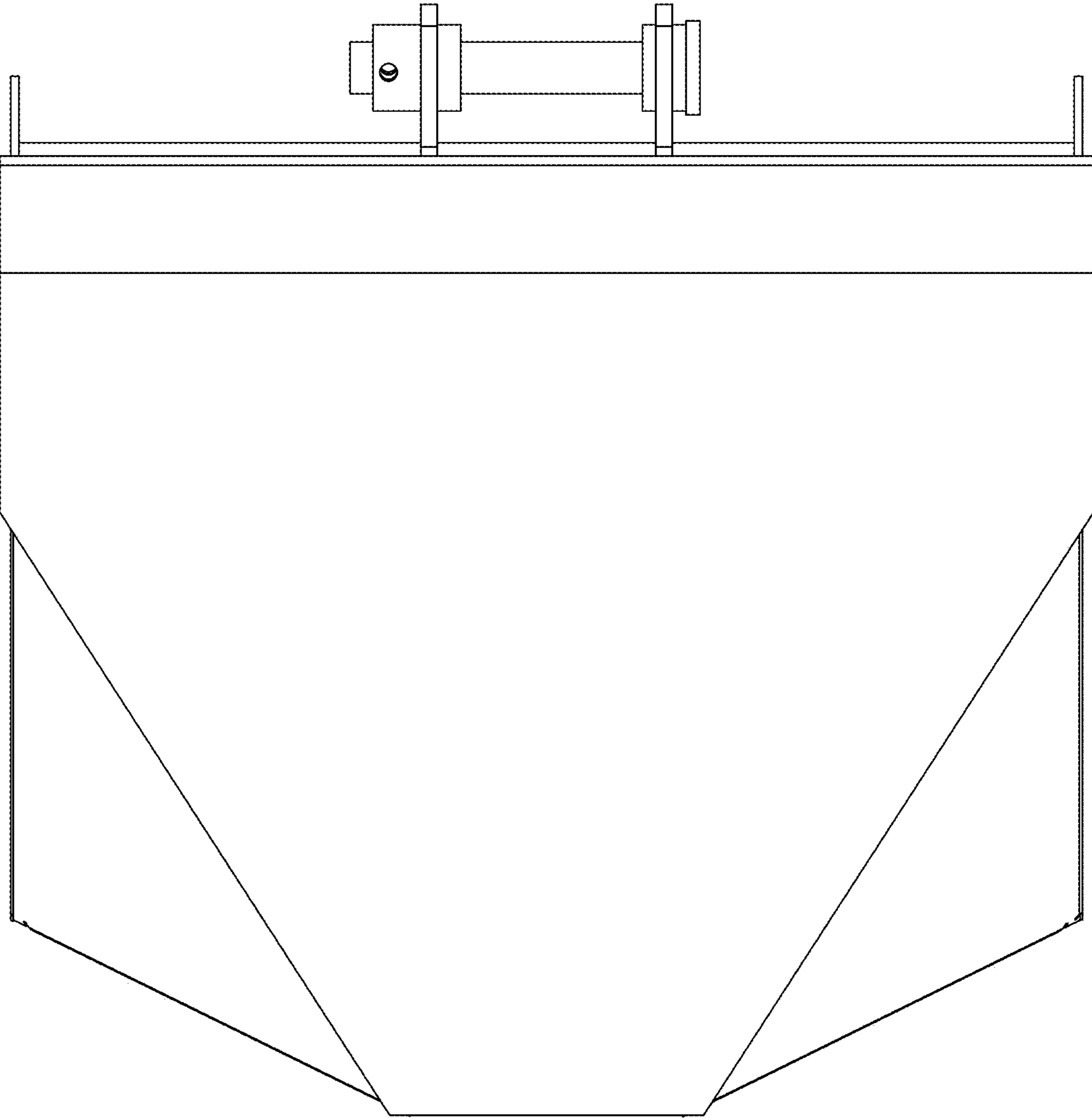


FIG. 3

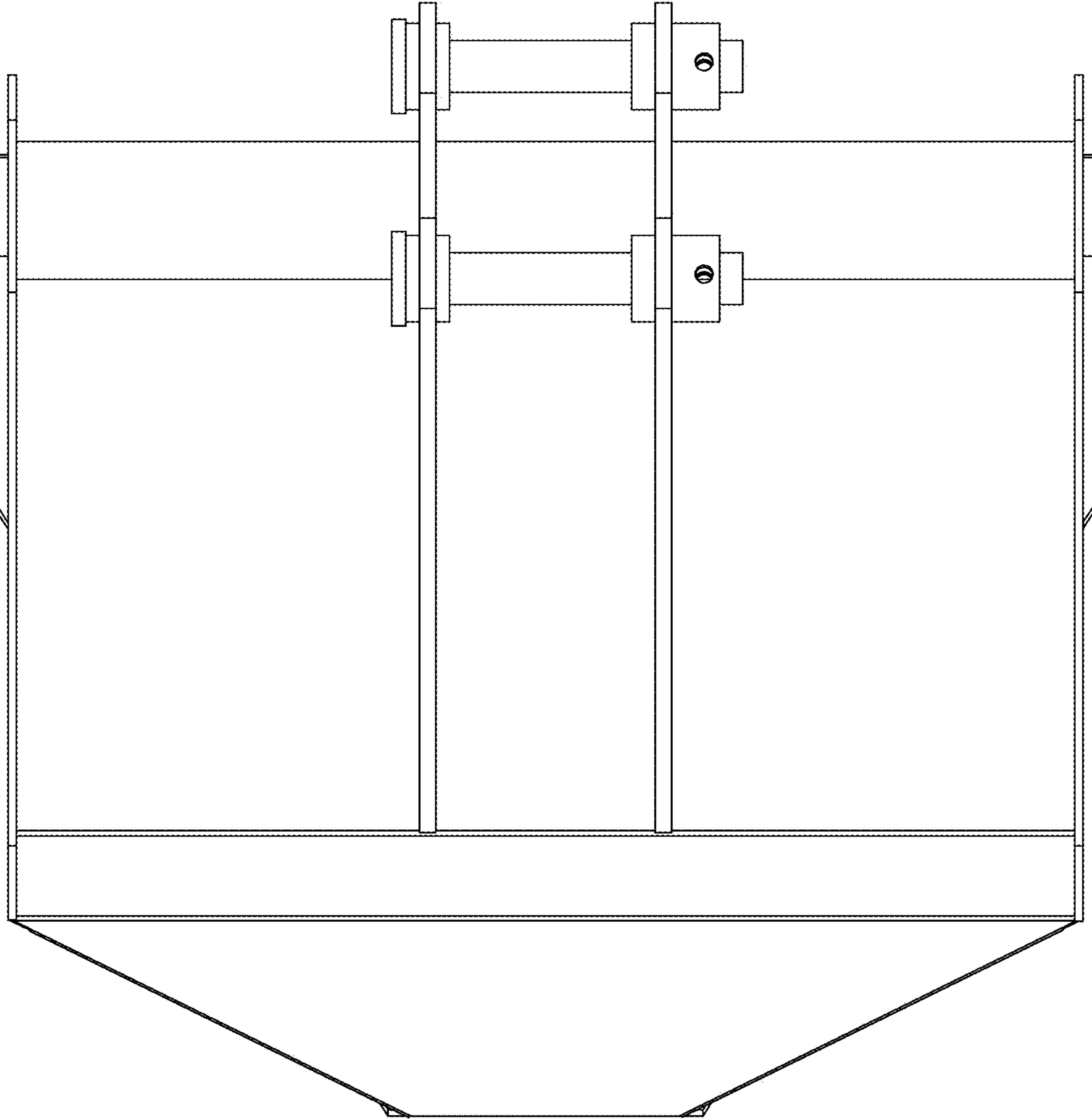


FIG. 4

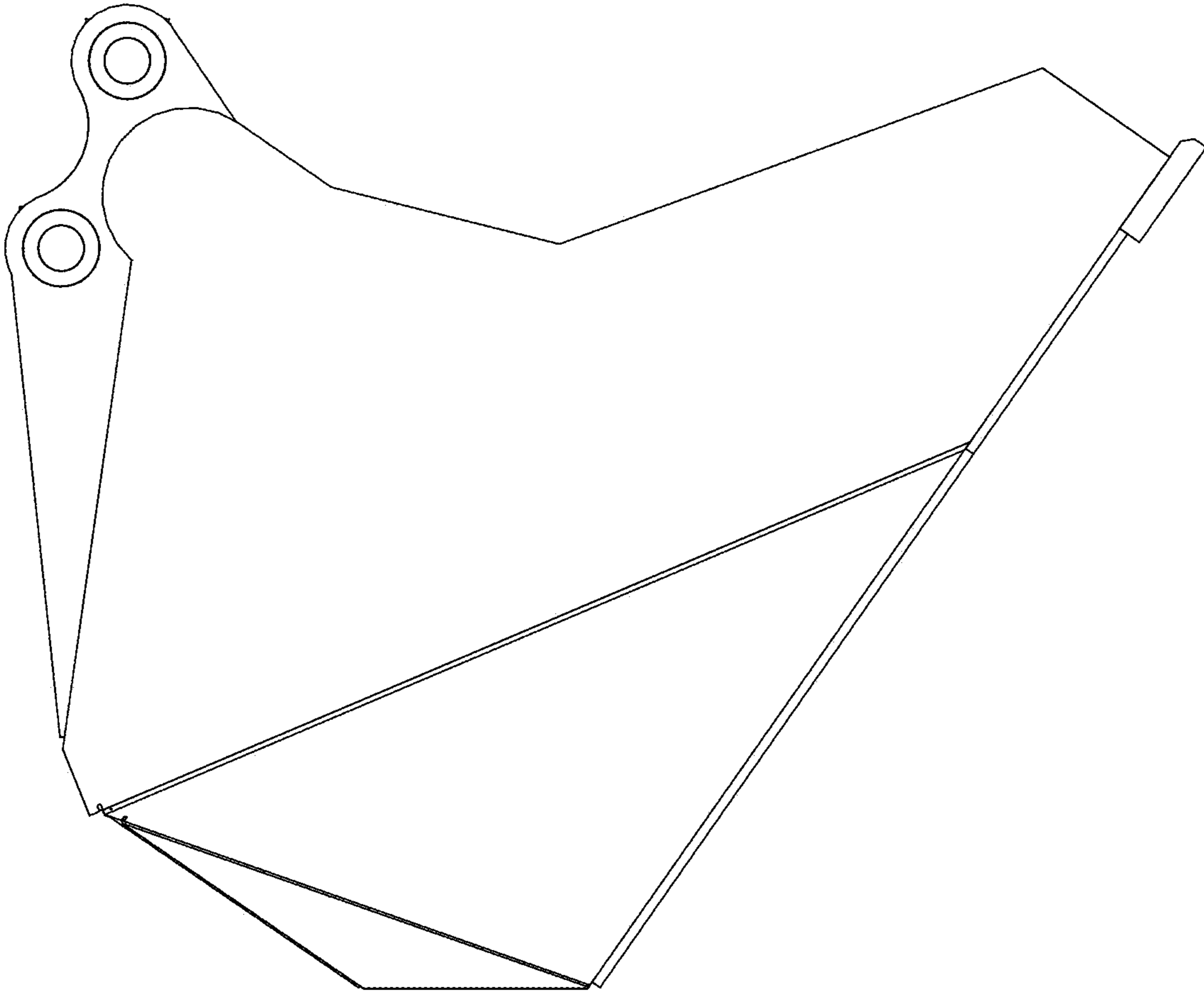


FIG. 5

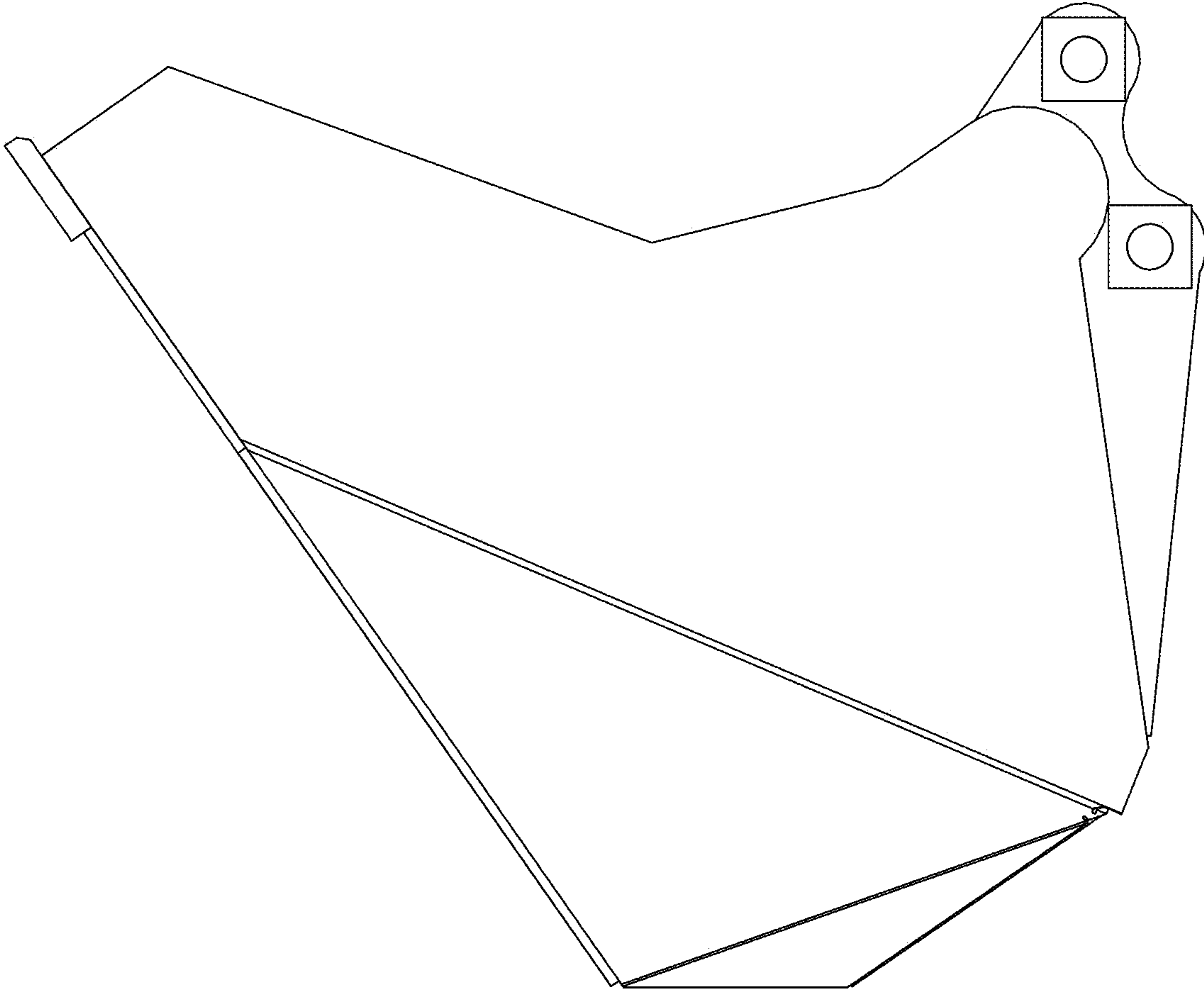


FIG. 6



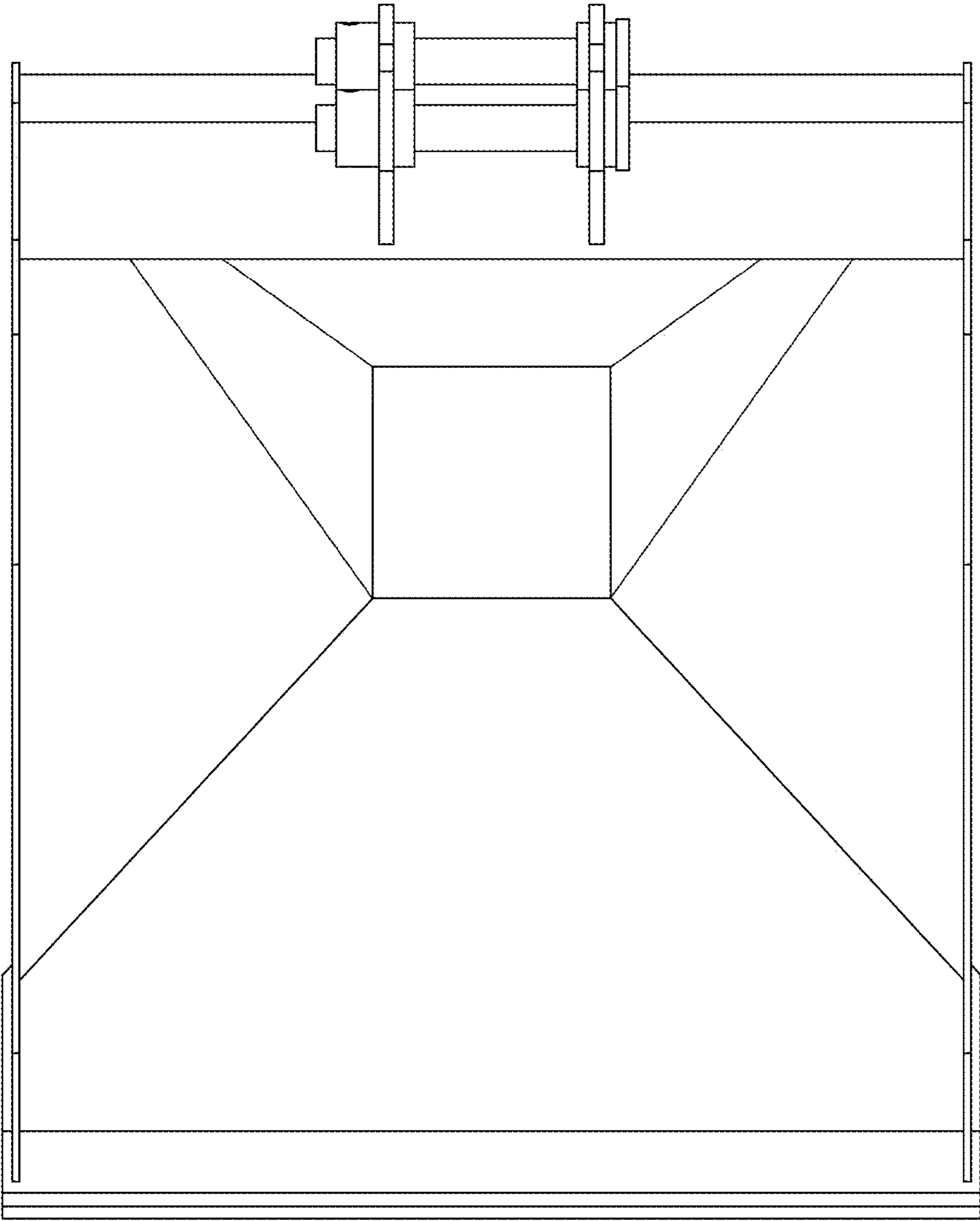


FIG. 7

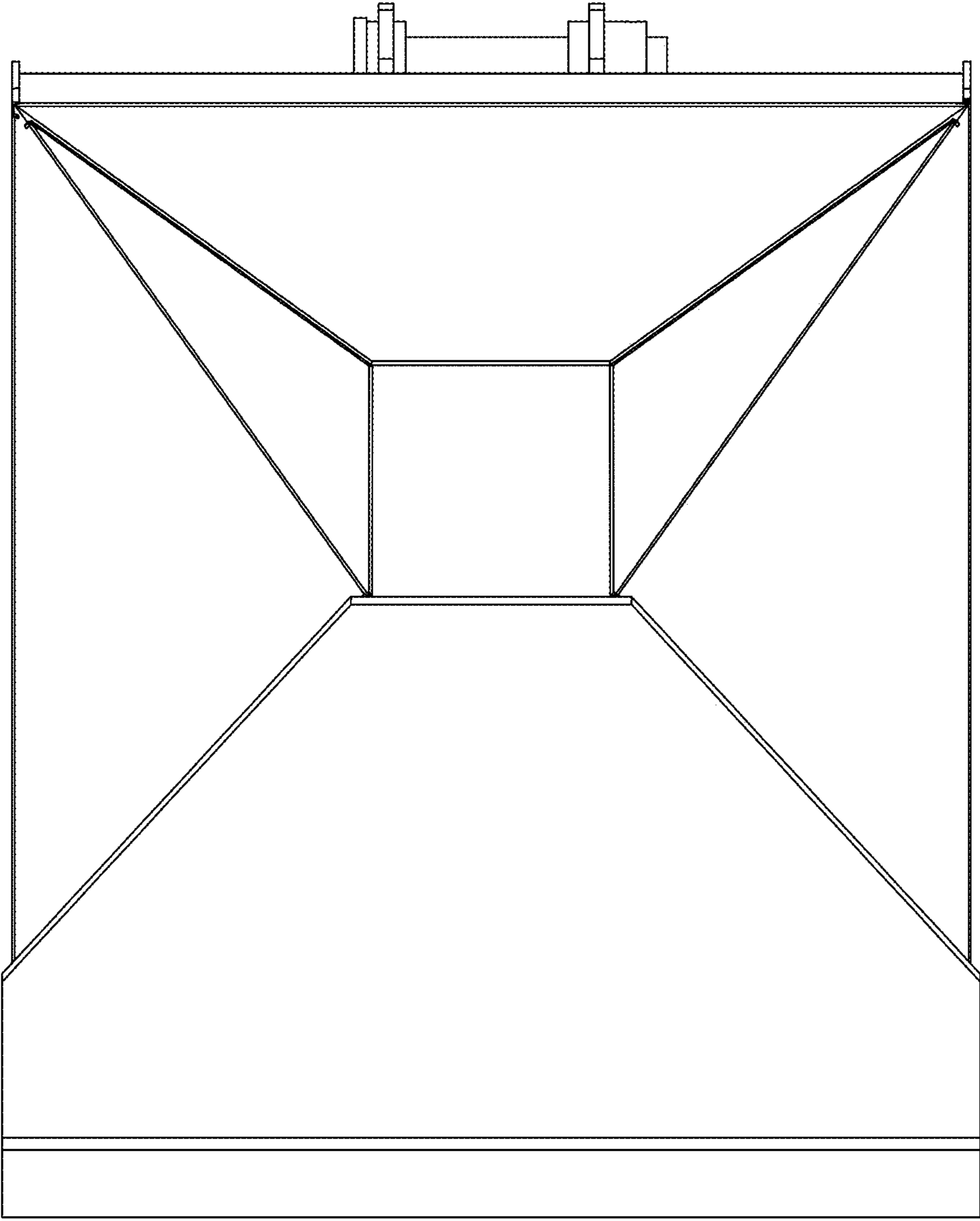


FIG. 8

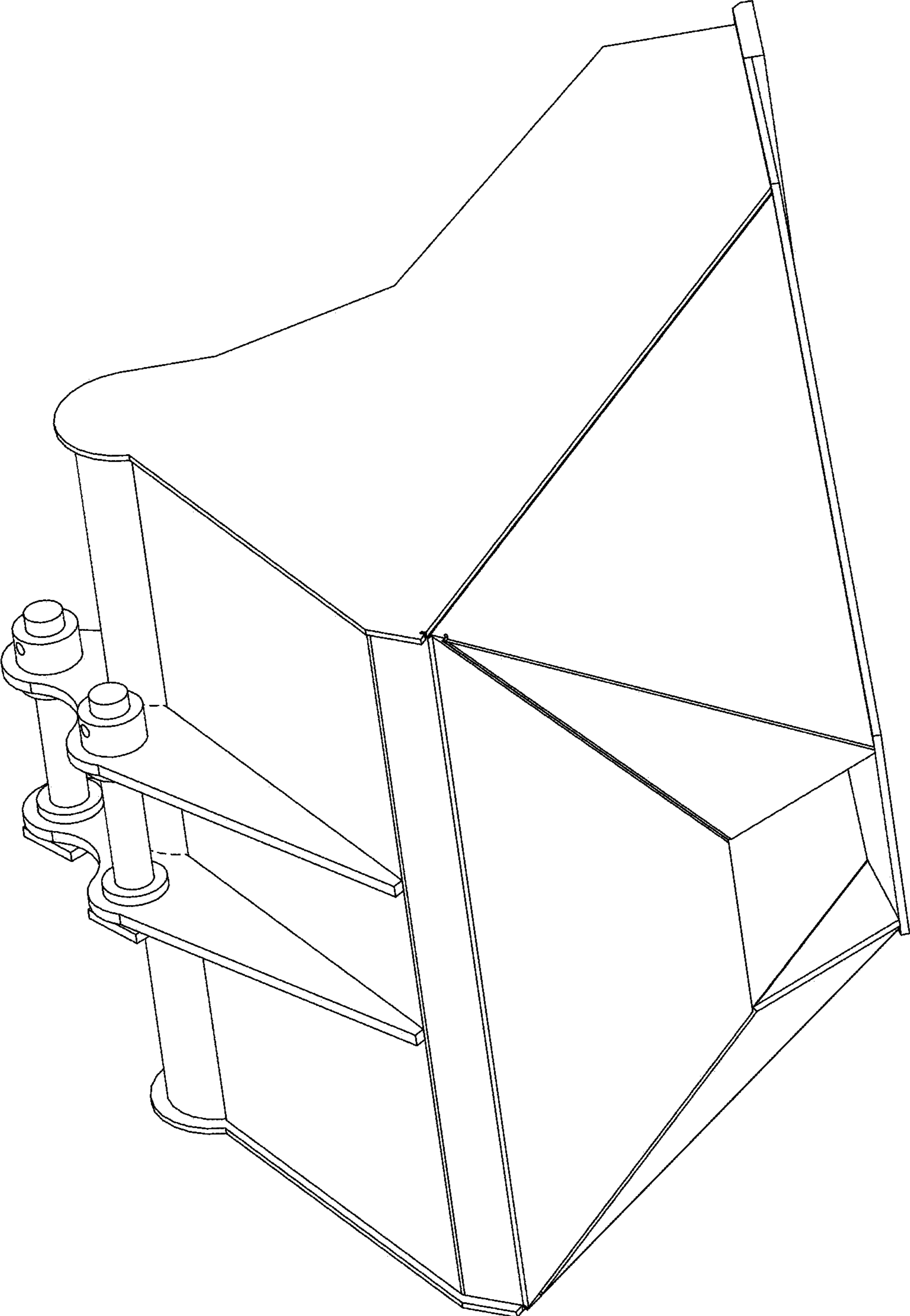


FIG. 9

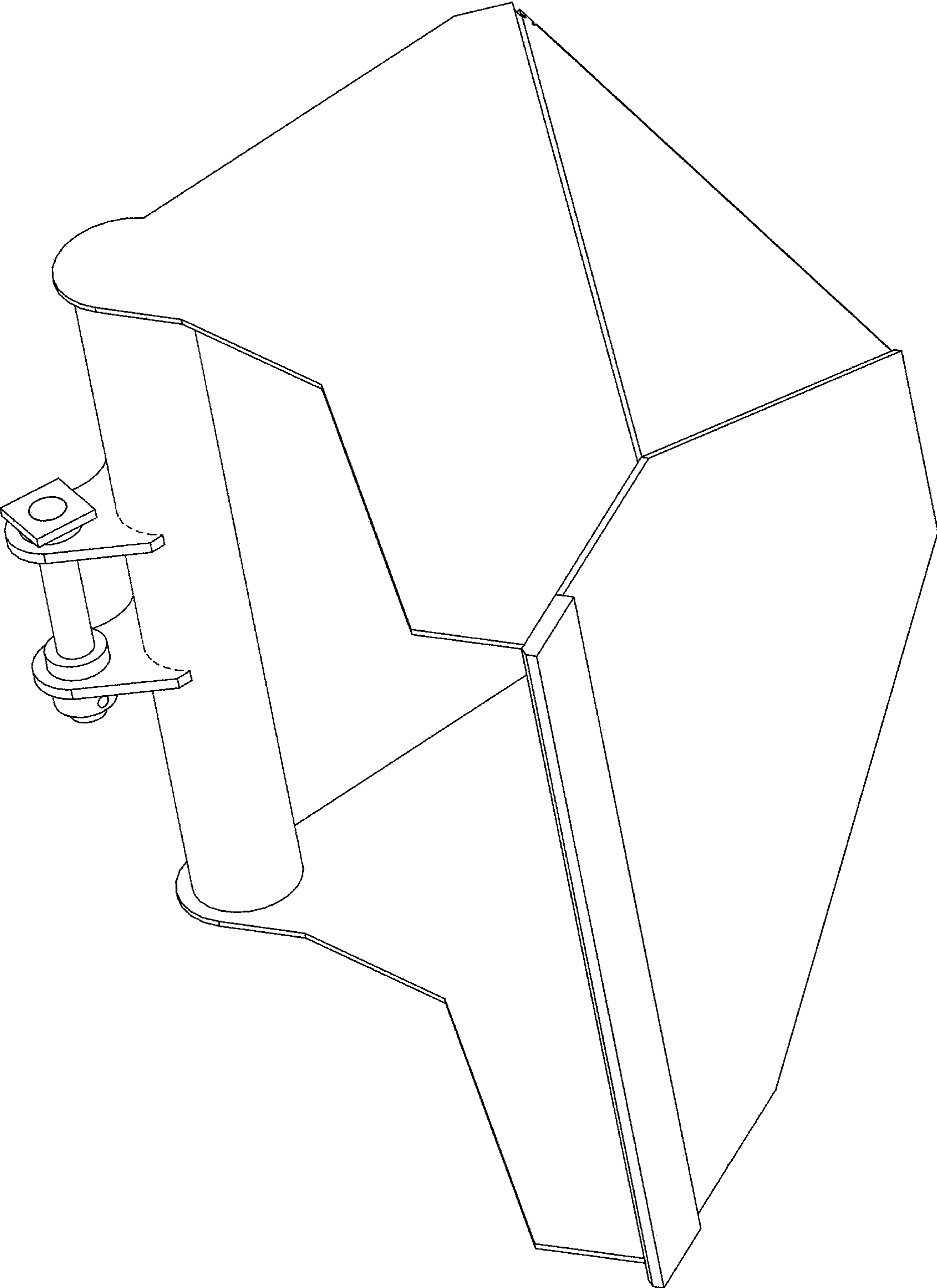


FIG. 10

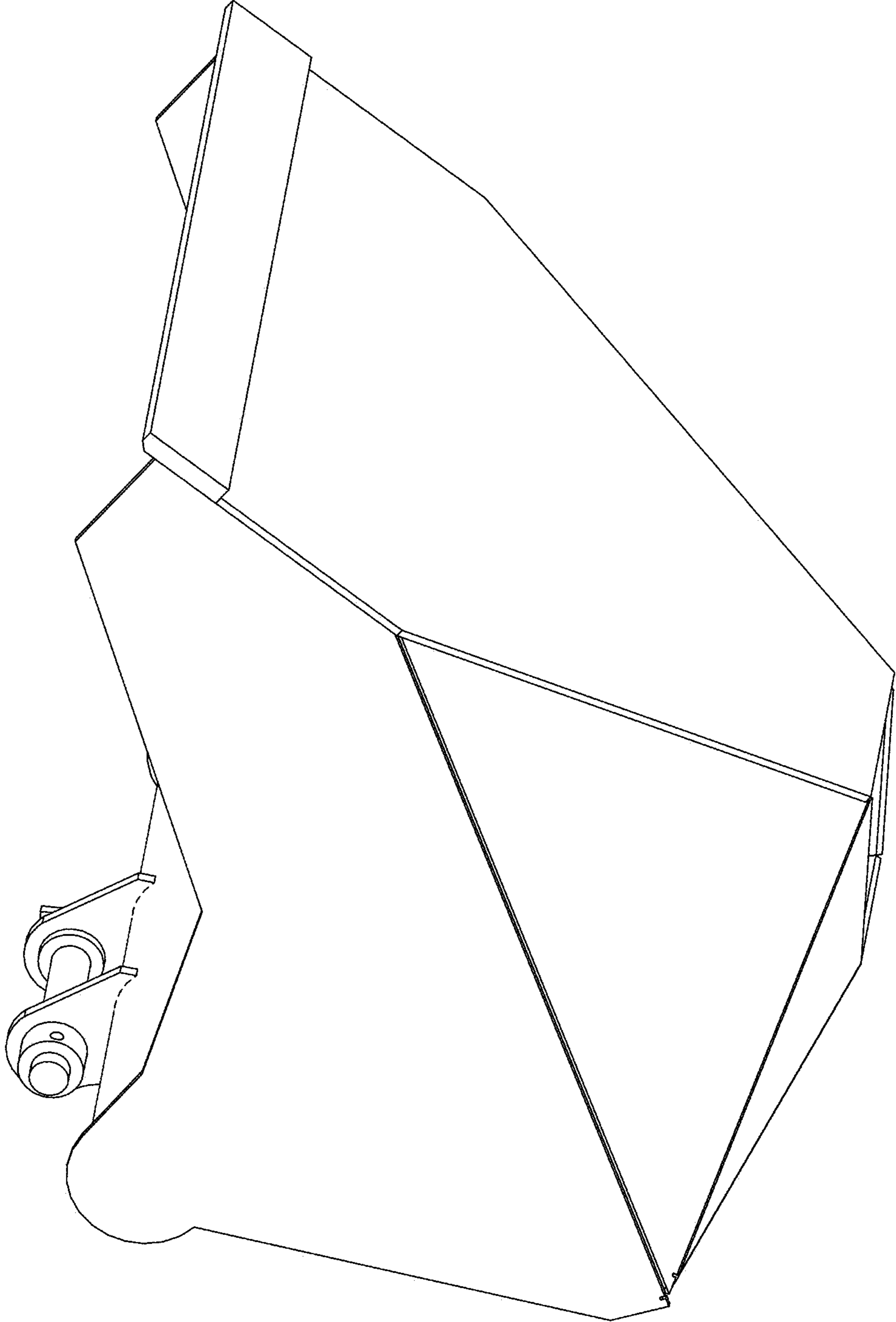


FIG. 11

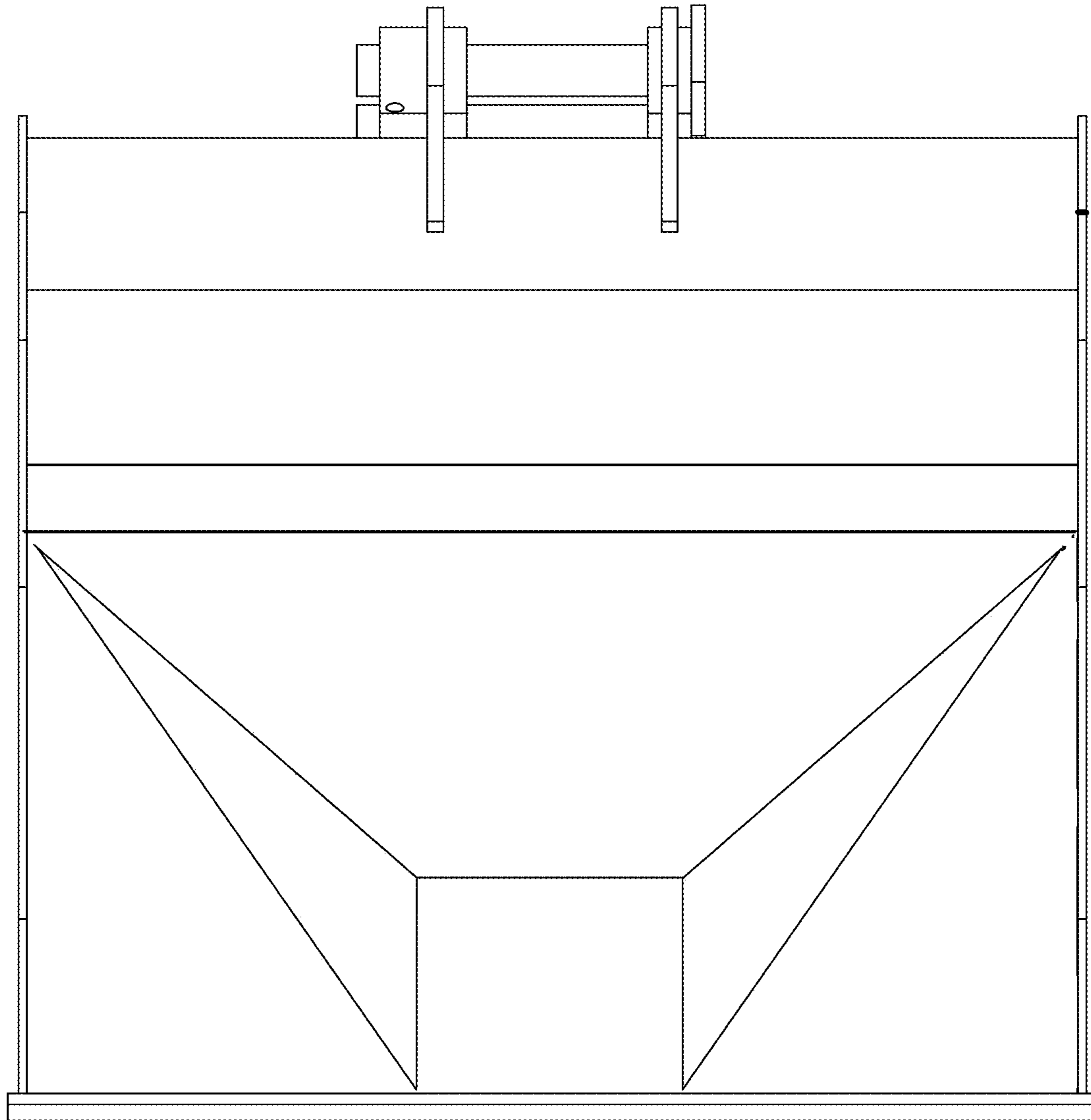


FIG. 12

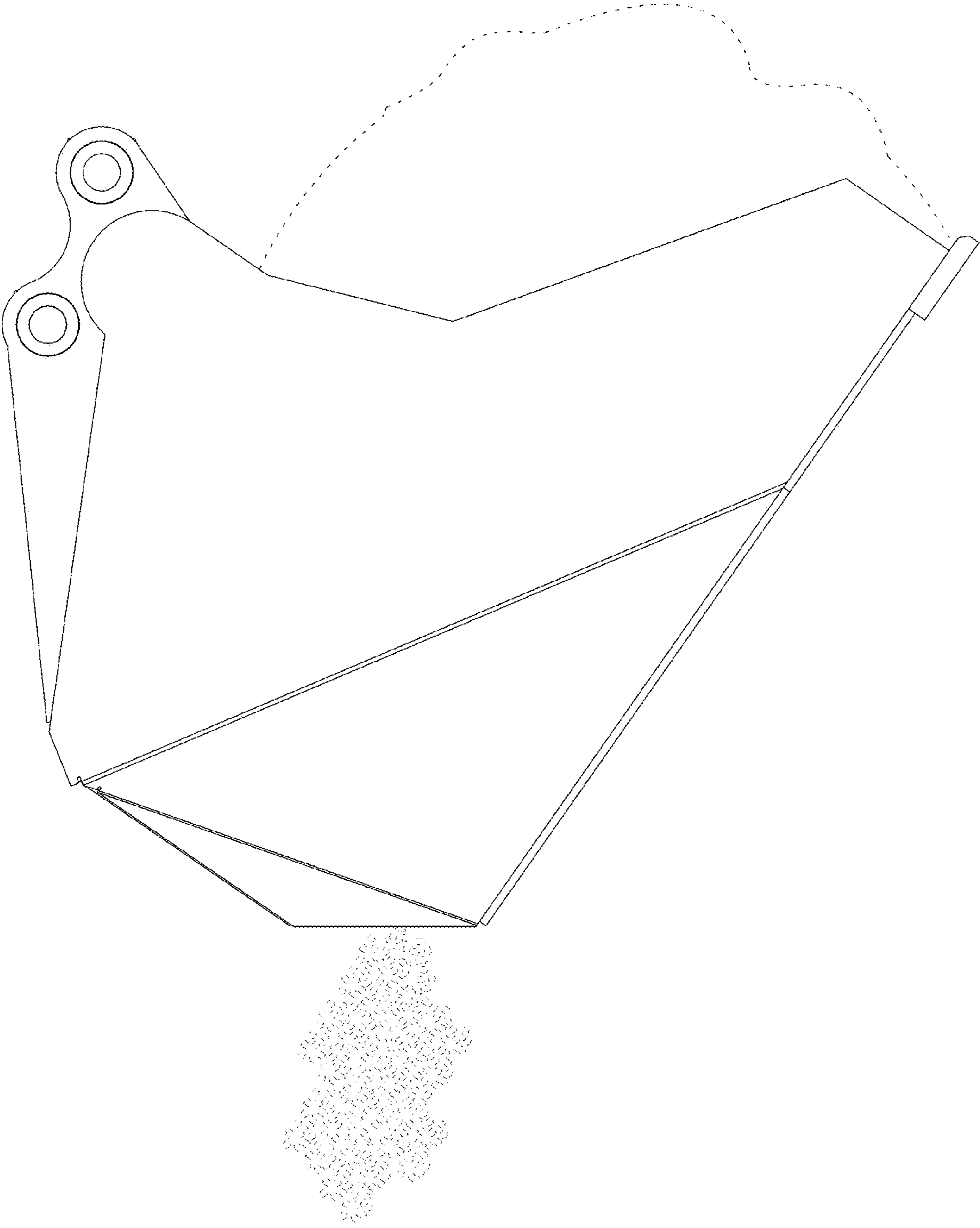


FIG. 13