



US00D943007S

(12) **United States Design Patent**
Das et al.

(10) **Patent No.:** **US D943,007 S**
(45) **Date of Patent:** **** Feb. 8, 2022**

(54) **CAB INTERIOR OF A TRACTOR**
(71) Applicant: **DEERE & COMPANY**, Moline, IL (US)
(72) Inventors: **Sushanta Das**, Grovetown, GA (US); **Michael R. Gratton**, Asbury, IA (US); **Thorsten Hagner**, Ilvesheim (DE); **Austin L. Begg**, Waterloo, IA (US); **Doyle Friederich**, Denver, IA (US); **Felix Nagelin**, Malibu, CA (US); **Alberto Mantilla**, New York, NY (US); **Anthony J. Baxter**, Montclair, NJ (US); **Sebastian Himpel**, Mannheim (DE)
(73) Assignee: **DEERE & COMPANY**, Moline, IL (US)

D420,685 S * 2/2000 Muranen D15/30
6,039,141 A * 3/2000 Denny B60N 2/797
180/329
6,752,468 B2 * 6/2004 Eliasson B60P 1/283
180/331
6,942,282 B1 * 9/2005 Jacobs B62D 33/0617
296/190.01
D513,415 S 1/2006 Klein et al.
D528,134 S 9/2006 Vandendriessche et al.
D531,646 S 11/2006 McCarren, Jr. et al.
D535,310 S 1/2007 Kuwae et al.
D546,841 S 7/2007 McCarren, Jr. et al.
D596,204 S 7/2009 Kuwae et al.
7,857,090 B2 * 12/2010 Ruhter E02F 9/16
180/333
D652,063 S * 1/2012 Takeuchi D15/28
D652,433 S * 1/2012 Takeuchi D15/28

(Continued)

Primary Examiner — Mark A Goodwin

(**) Term: **15 Years**

(21) Appl. No.: **29/652,489**

(22) Filed: **Sep. 3, 2020**

(51) **LOC (13) Cl.** **15-03**

(52) **U.S. Cl.**
USPC **D15/28**

(58) **Field of Classification Search**
USPC D15/10, 22–26, 28, 30, 31; 180/89.11, 180/89.12, 89.13, 89.19, 900, 90, 315, 180/316, 326, 333, 334, 320, 336; 296/190.01, 190.08, 210, 190, 202, 296/190.03; D12/195
CPC B60K 23/00; E02F 9/2004; E02F 9/2025; E02F 9/2054; G05G 9/047; Y10T 74/20012; B62D 35/00; B62D 39/00; B62D 47/00; B62D 47/043
See application file for complete search history.

(56) **References Cited**

U.S. PATENT DOCUMENTS

D275,199 S 8/1984 Schmidt et al.
D321,517 S 11/1991 Katoh et al.

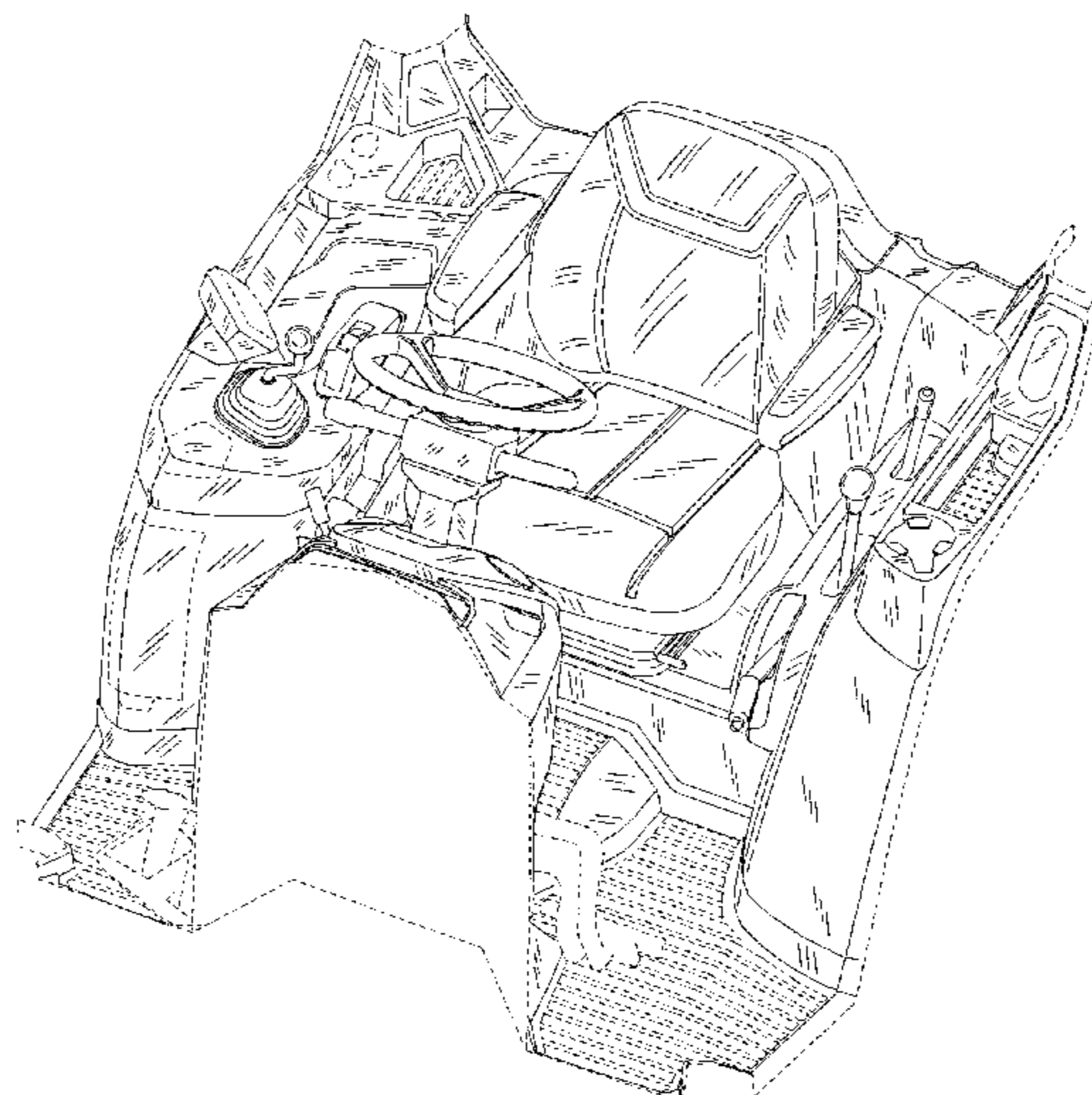
(57) **CLAIM**

The ornamental design for a cab interior of a tractor, as shown and described.

DESCRIPTION

FIG. 1 is a top, front, left perspective view of a cab interior of a tractor showing our new design.
FIG. 2 is a left side elevational view thereof.
FIG. 3 is a right side elevational view thereof.
FIG. 4 is a front view thereof.
FIG. 5 is a rear view thereof.
FIG. 6 is a top plan view thereof; and,
FIG. 7 is a bottom plan view thereof.
The ornamental design which is claimed is shown in solid lines in the drawings. The portions of the design shown in broken lines or dashed lines are included for the purpose of illustrating environment and form no part of the claimed invention.

1 Claim, 7 Drawing Sheets



(56)

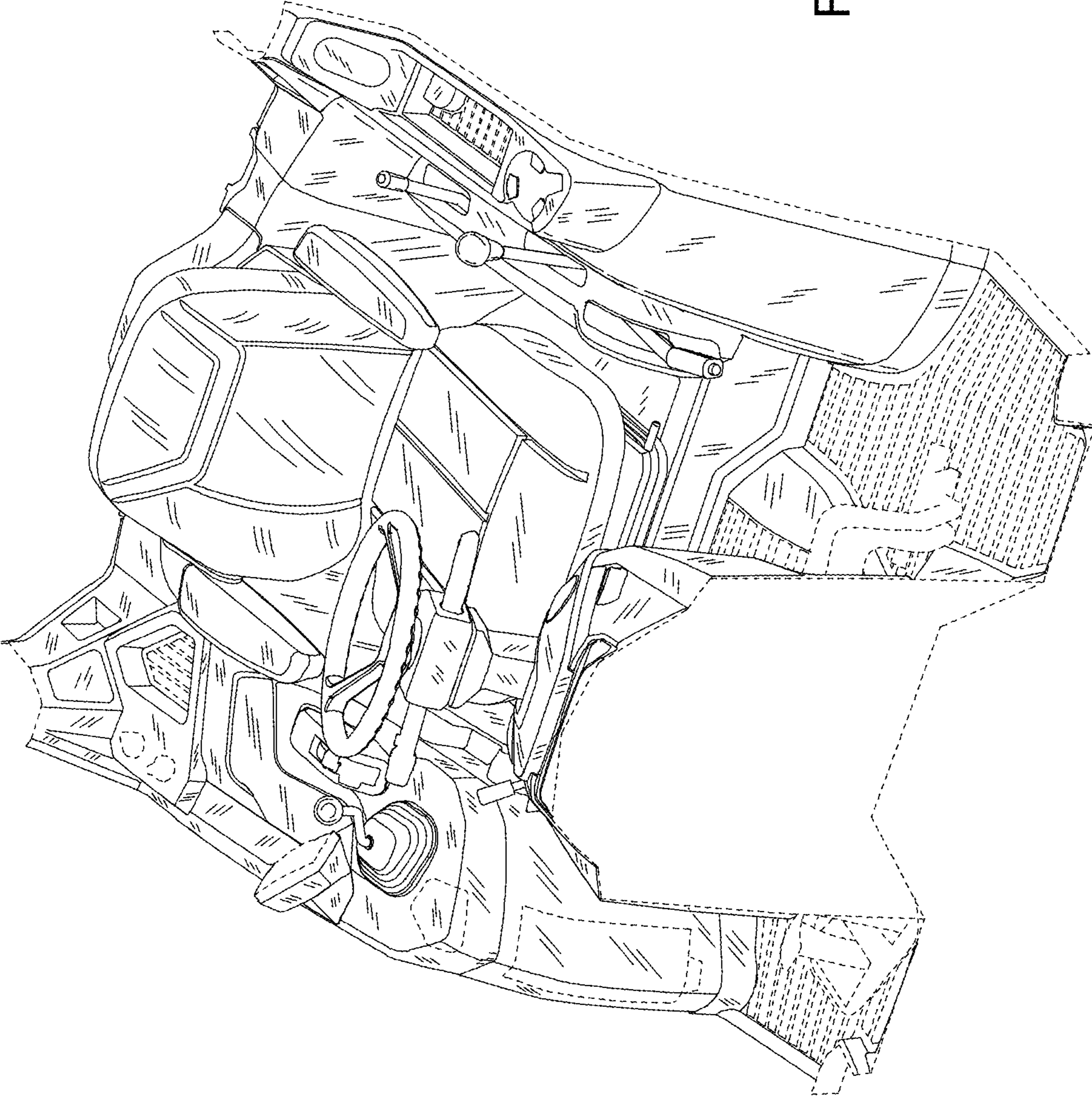
References Cited

U.S. PATENT DOCUMENTS

D656,966	S *	4/2012	Iwata	D15/28
D664,998	S *	8/2012	Warr	D15/28
D668,693	S	10/2012	Ringer	
D674,411	S	1/2013	Masumoto et al.	
D678,355	S *	3/2013	Warr	D15/28
D685,006	S *	6/2013	Hagura	D15/28
D685,007	S *	6/2013	Tanaka	D15/28
D686,643	S	7/2013	Kinoshita et al.	
D721,742	S	1/2015	Lee et al.	
D741,236	S	10/2015	Schnering et al.	
D749,148	S	2/2016	Darekar et al.	
D754,213	S	4/2016	Okuyama et al.	
D805,113	S	12/2017	Jacobsthal et al.	
D842,349	S	3/2019	Kim et al.	
D857,755	S *	8/2019	Ninomiya	D15/28
D920,388	S *	5/2021	Wagner	D15/28

* cited by examiner

FIG. 1



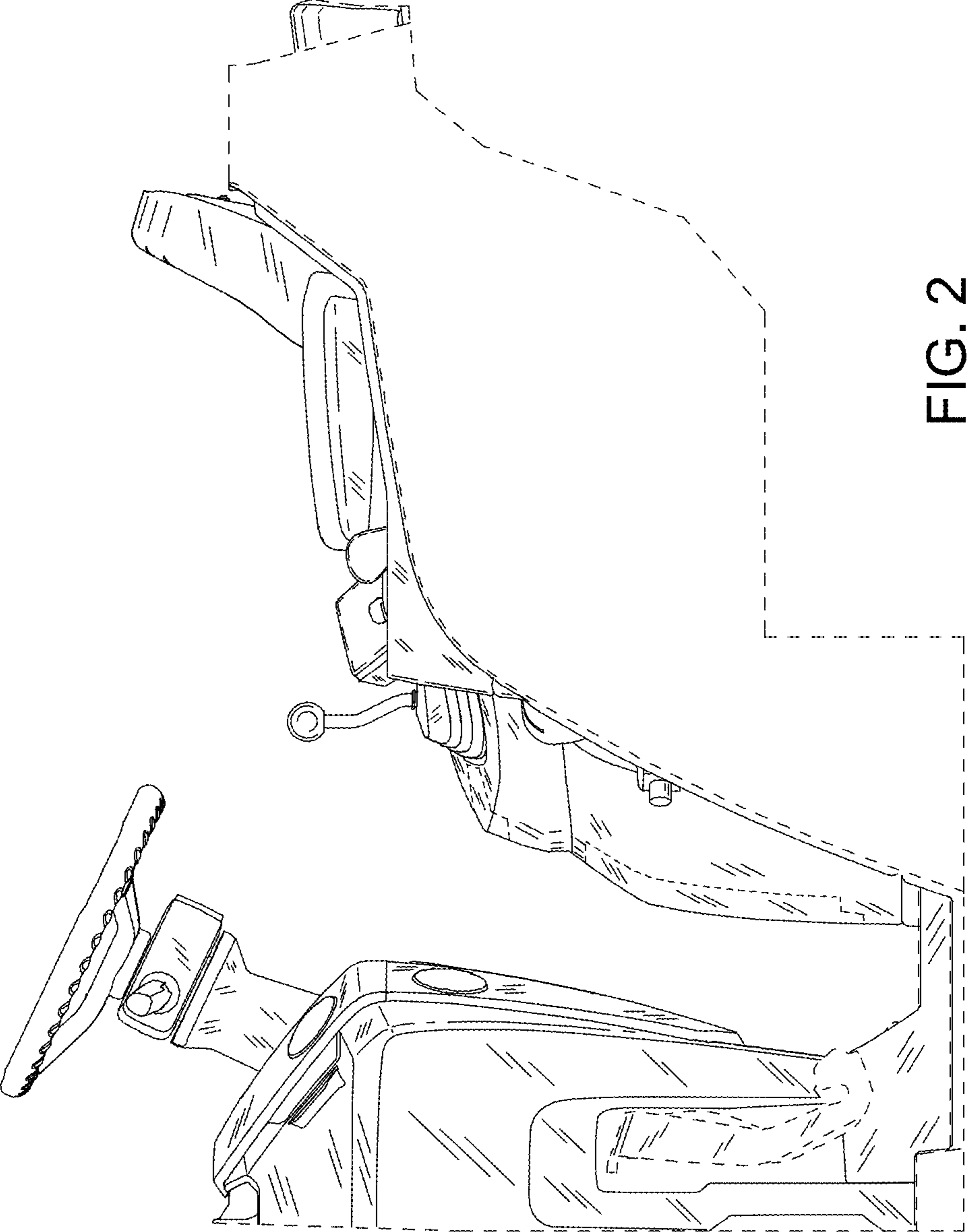


FIG. 2

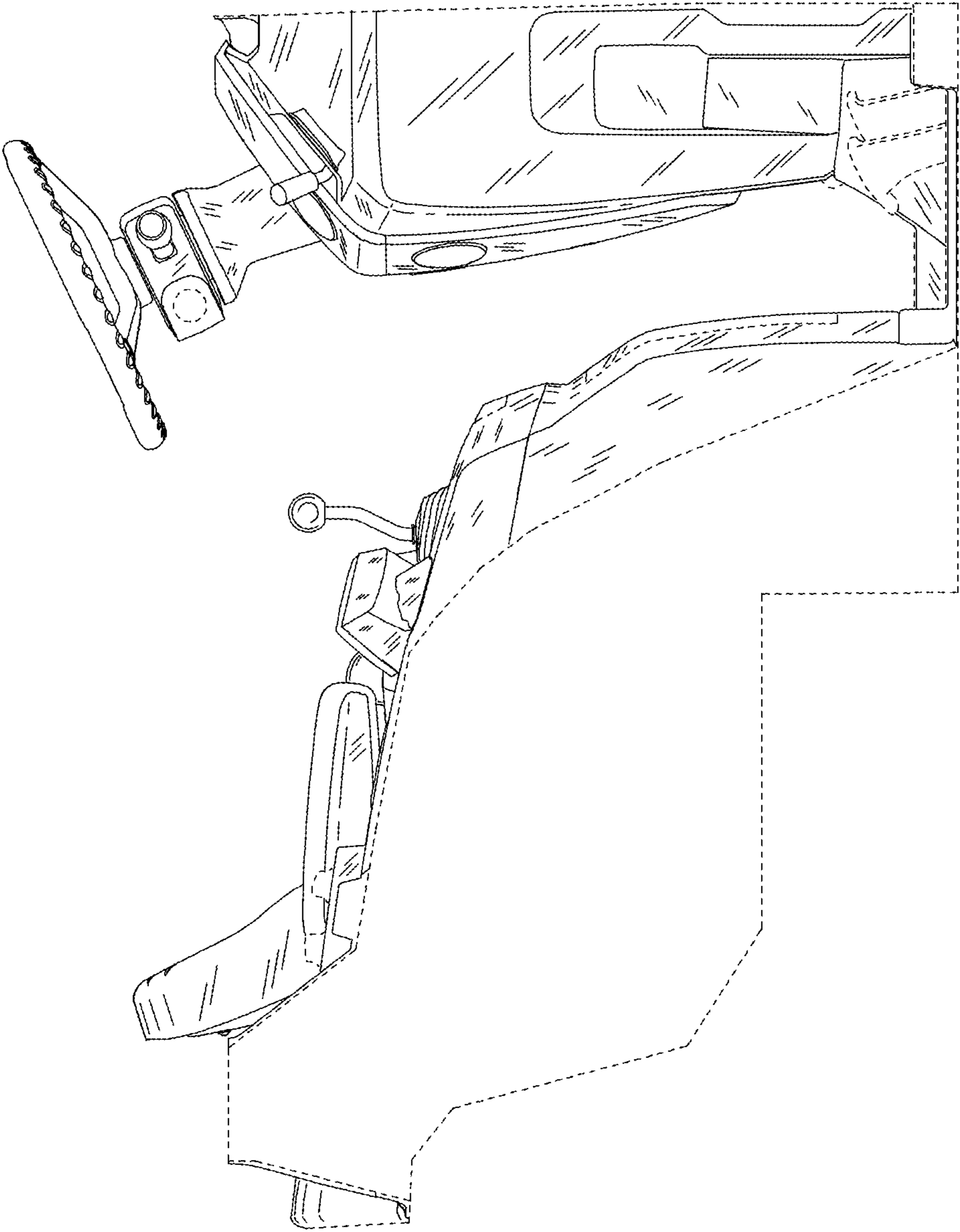


FIG. 3

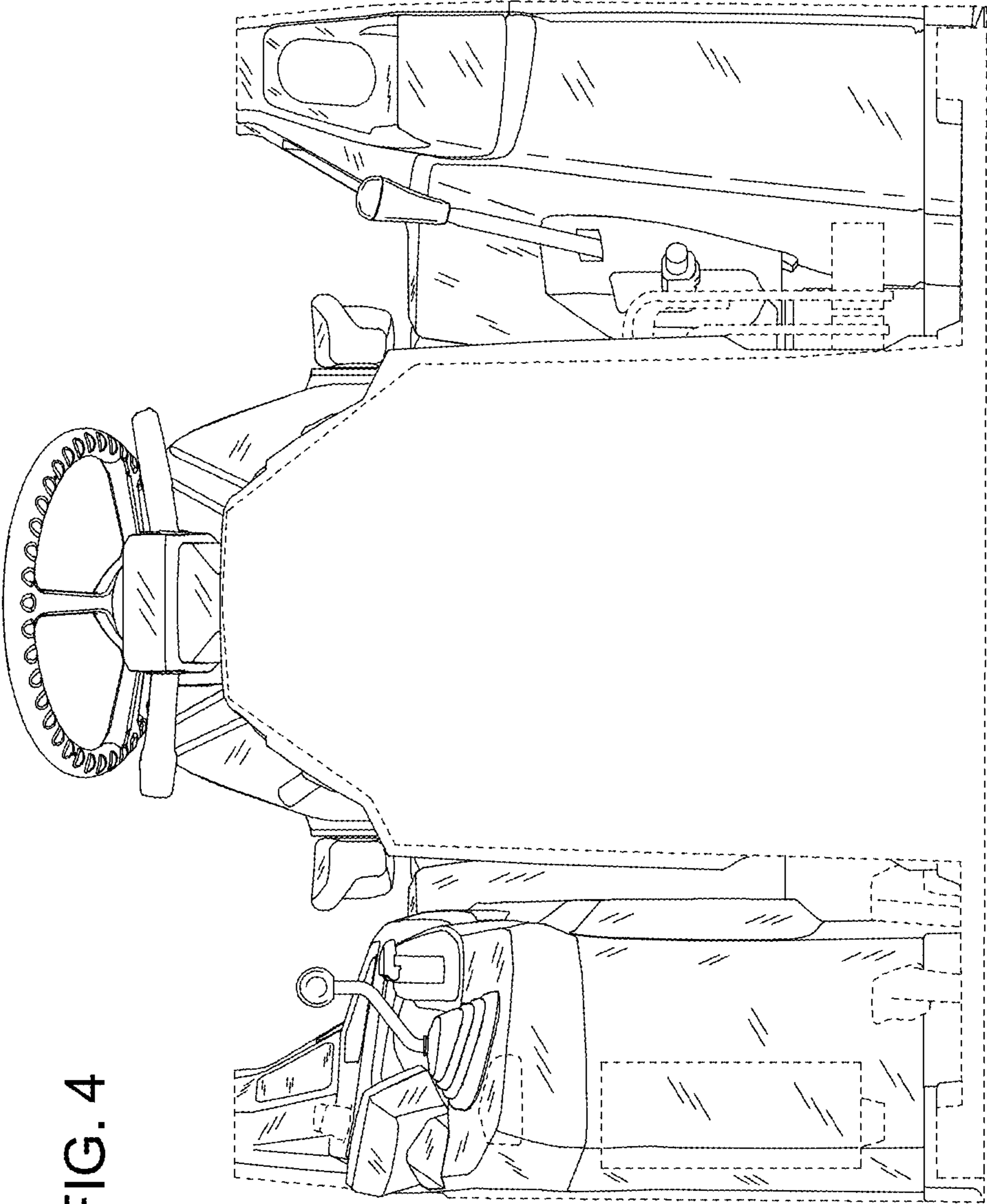


FIG. 4

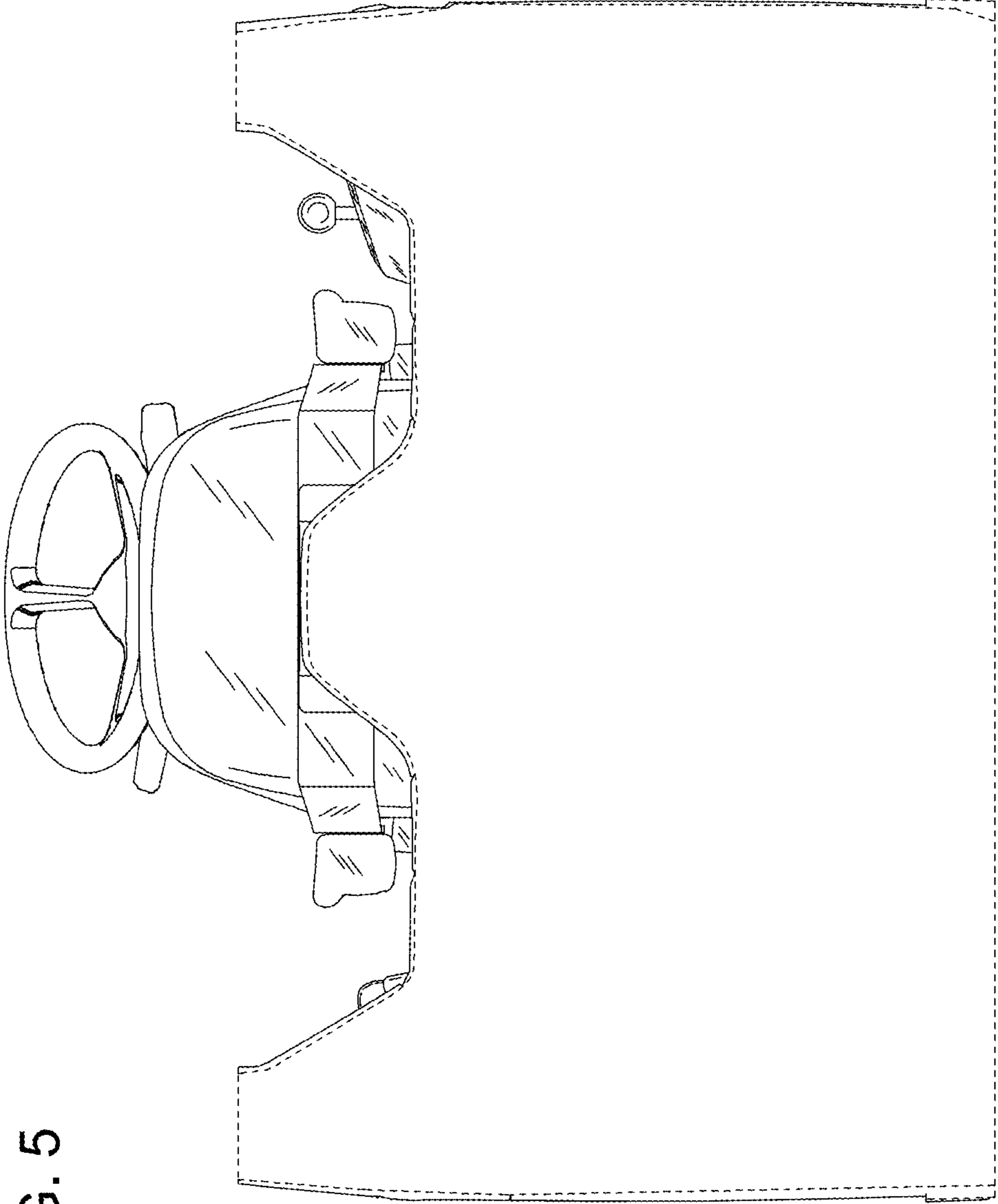


FIG. 5

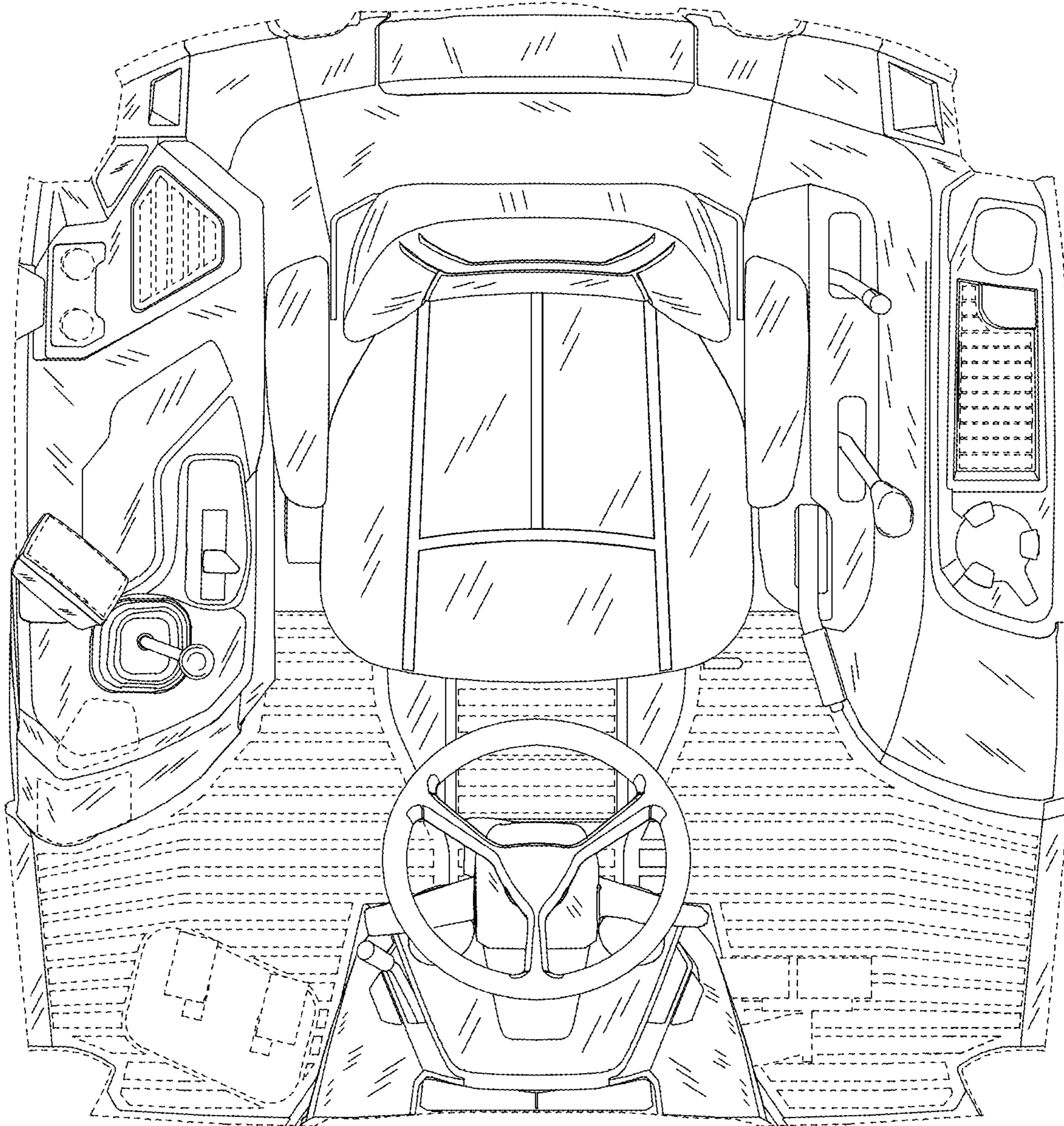


FIG. 6

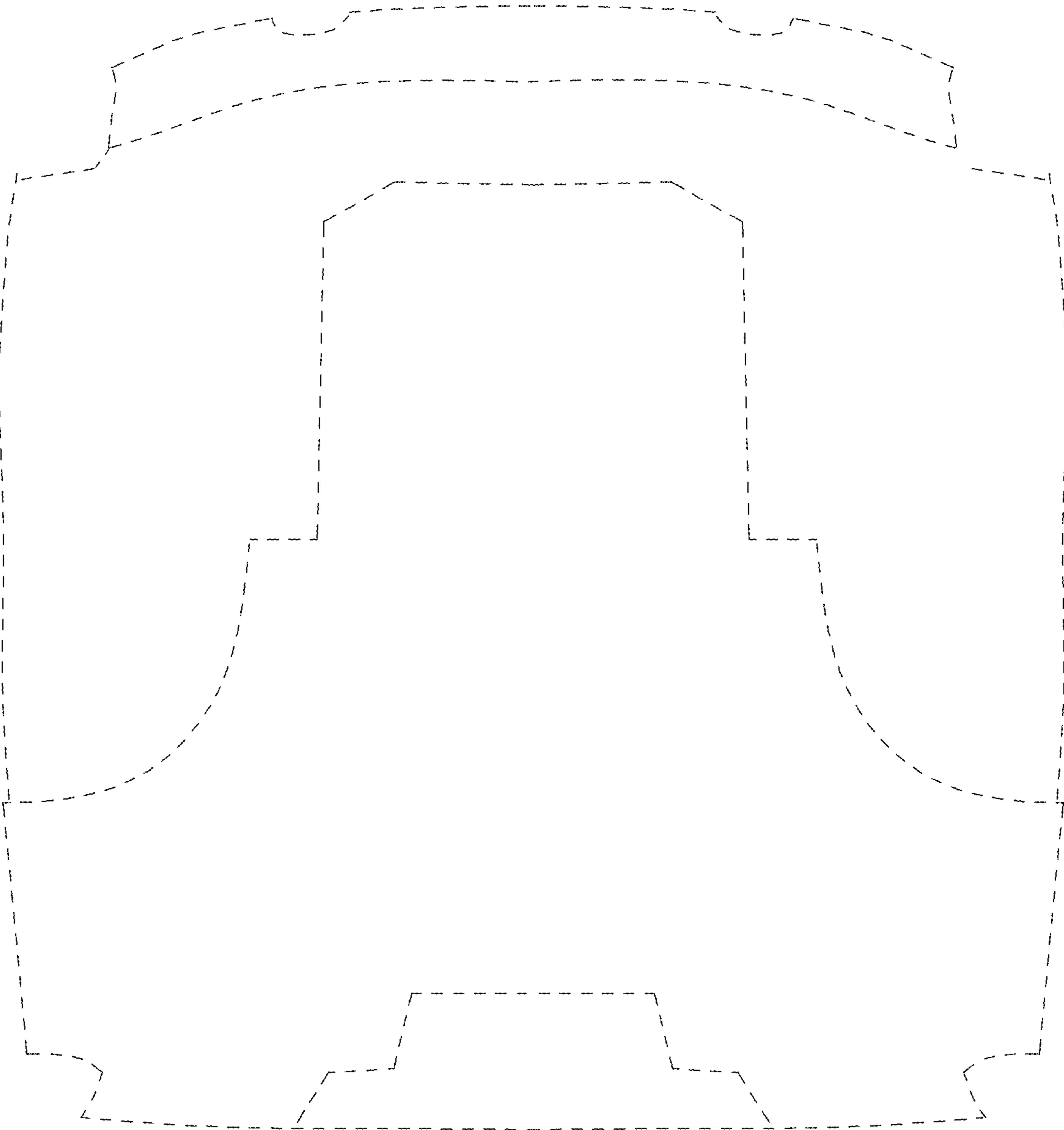


FIG. 7