



US00D943005S

(12) **United States Design Patent** (10) **Patent No.:** **US D943,005 S**  
**Duut** (45) **Date of Patent:** **\*\* Feb. 8, 2022**

(54) **INFLATABLE FURNITURE PUMP**

(71) Applicant: **Daan's Investment B.V.**, Purmerend (NL)

(72) Inventor: **Reinard Duut**, Groningen (NL)

(73) Assignee: **Daan's Investment B.V.**, Purmerend (NL)

(\*\*) Term: **15 Years**

(21) Appl. No.: **29/714,867**

(22) Filed: **Nov. 26, 2019**

(51) **LOC (13) Cl.** ..... **15-02**

(52) **U.S. Cl.**  
USPC ..... **D15/7**

(58) **Field of Classification Search**  
USPC ..... D15/7-9; D23/225, 231, 232, 366, 356;  
D9/689, 529; D12/114  
CPC ..... F04B 53/14; F04B 53/92; F04B 33/00;  
F04B 33/005; F04B 1/005; F04B 39/102;  
F04D 13/06; F04D 29/22; F04D 29/046;  
F04D 29/2266; F16K 11/048; F16K  
15/20; F16K 31/602; F16L 37/18; F16L  
37/20

See application file for complete search history.

(56) **References Cited**

**U.S. PATENT DOCUMENTS**

D239,210 S *	3/1976	Marlow	.....	D15/7
D301,245 S *	5/1989	Hefling	.....	D15/7
D339,143 S *	9/1993	Whitley, II	.....	D15/7
D405,806 S *	2/1999	Poon	.....	D15/7
D420,011 S *	2/2000	Tsai	.....	D15/7
D425,914 S *	5/2000	Tsai	.....	D15/7
D453,342 S *	2/2002	Wu	.....	D15/7
D453,524 S *	2/2002	Wu	.....	D15/7
D479,722 S *	9/2003	Poon	.....	D15/7
D486,159 S *	2/2004	Poon	.....	D15/7
D487,899 S *	3/2004	Poon	.....	D15/7
D491,196 S *	6/2004	Poon	.....	D15/7

D499,114 S *	11/2004	Poon	.....	D15/7
D526,382 S *	8/2006	Thompson	.....	D23/208
D553,646 S *	10/2007	Wu	.....	D15/7
D559,269 S *	1/2008	Wu	.....	D15/7

(Continued)

**OTHER PUBLICATIONS**

SeatZac, First inflatable chair will also let you charge your phone, (uploaded Oct. 7, 2020), Instagram, URL:<<https://www.instagram.com/p/CGDIVO3j96P/>> (Year: 2020).\*

(Continued)

*Primary Examiner* — Sheryl Lane

*Assistant Examiner* — Mark T. Philipps

(74) *Attorney, Agent, or Firm* — Law Office of Theresa O'Rourke Nugent

(57) **CLAIM**

The ornamental design for an inflatable furniture pump, as shown and described.

**DESCRIPTION**

FIG. 1 is a perspective view of the present invention of an inflatable furniture pump wherein the moveable part is in the closed position;

FIG. 2 is a top view of the inflatable furniture pump in FIG. 1;

FIG. 3 is a front view of the inflatable furniture pump in FIG. 1;

FIG. 4 is the rear view of the inflatable furniture pump in FIG. 1;

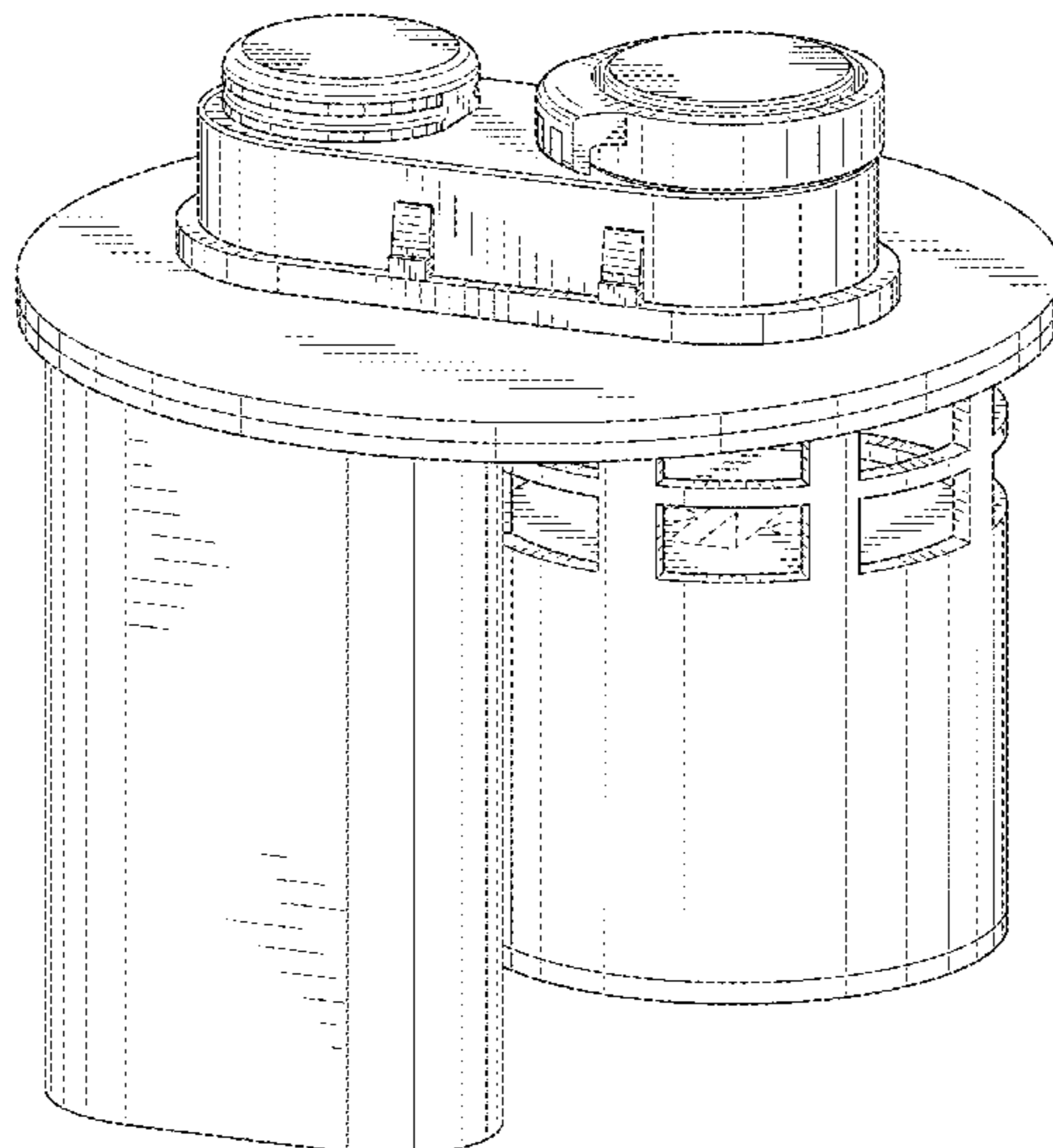
FIG. 5 is the right side view of the inflatable furniture pump in FIG. 1; and,

FIG. 6 is the left side view of the inflatable furniture pump in FIG. 1.

Portions of the drawings in broken lines form no part of the claimed design.

The broken lines depict portions of the inflatable furniture pump that form no part of the claim.

**1 Claim, 6 Drawing Sheets**



(56)

**References Cited**

## U.S. PATENT DOCUMENTS

D738,481 S \* 9/2015 Markic ..... D23/383  
D782,540 S \* 3/2017 Zhang ..... D15/7  
D804,536 S \* 12/2017 Bao ..... D15/7  
D807,402 S \* 1/2018 Flora ..... D15/7  
D869,507 S \* 12/2019 Huang ..... D15/7  
D869,508 S \* 12/2019 Huang ..... D15/7  
D869,509 S \* 12/2019 Huang ..... D15/7  
D879,154 S \* 3/2020 Huang ..... D15/7  
D886,158 S \* 6/2020 Zhang ..... D15/7  
D897,676 S \* 10/2020 McDonough ..... D3/264  
2007/0206377 A1 \* 9/2007 Borup ..... A45C 11/005  
362/156  
2012/0193245 A1 \* 8/2012 Wright ..... A45C 11/005  
206/5.1  
2017/0006984 A1 \* 1/2017 Sheardown ..... A45C 11/005  
2017/0172269 A1 \* 6/2017 Lin ..... A45C 11/005

## OTHER PUBLICATIONS

Intex, 120V AC Electric Air Pump & Inflatable Ultra Lounge Chair and Ottoman Set, (site visited Oct. 19, 2020), Amazon.com, URL:<<https://www.amazon.com/Intex-Electric-Inflatable-Lounge-Ottoman/dp/B07KKG25NZ>> (Year: 2020).\*

Northern Lights, Floating Puck Dispenser for Mini Bromine or Chlorine Tablets, (date first available Apr. 4, 2015), Amazon.com, URL:<<https://www.amazon.ca/Floating-Chlorine-Bromine-Puck-Dispenser/dp/B007FGSQF8>> (Year: 2015).\*

\* cited by examiner

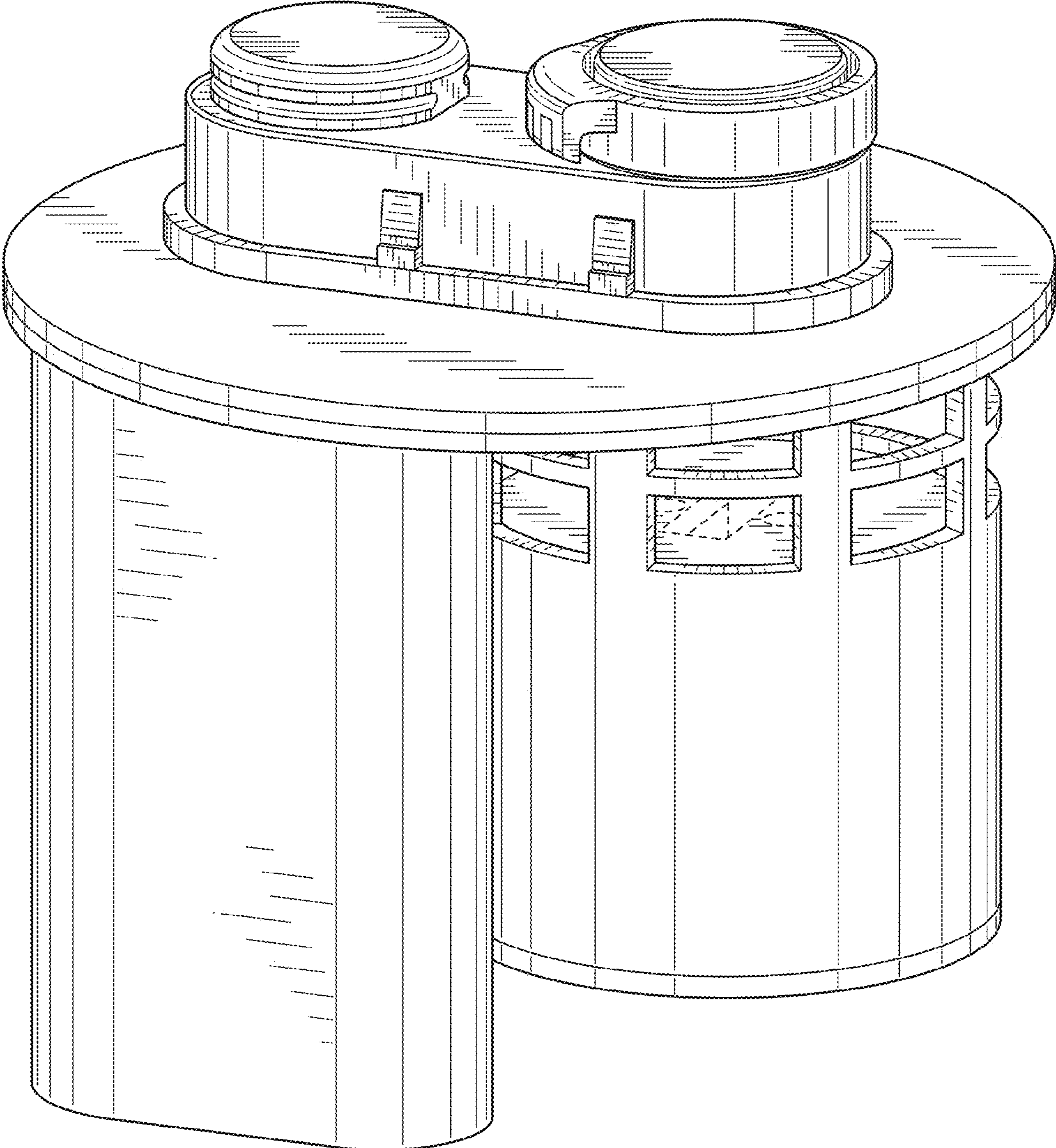


FIG. 1

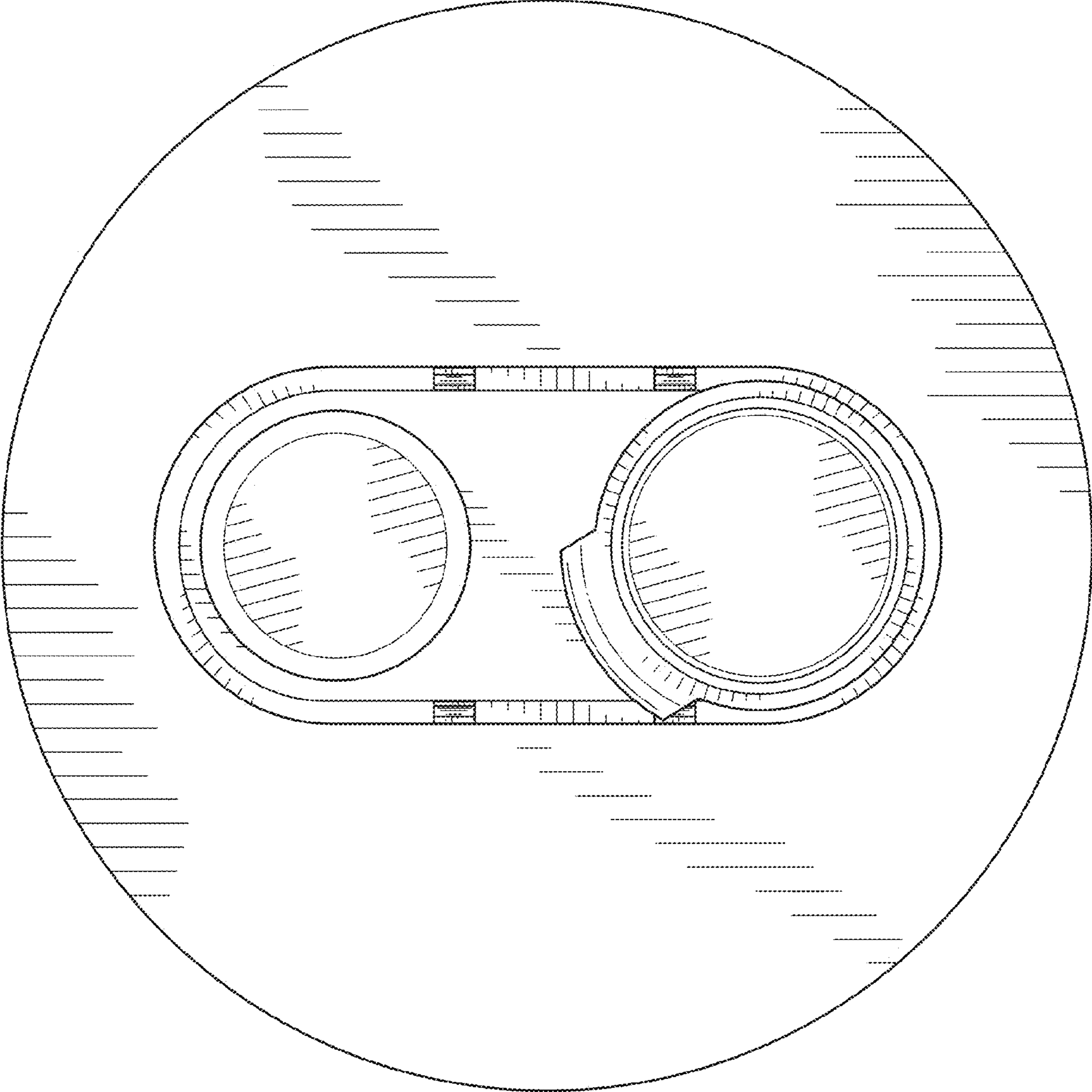


FIG. 2

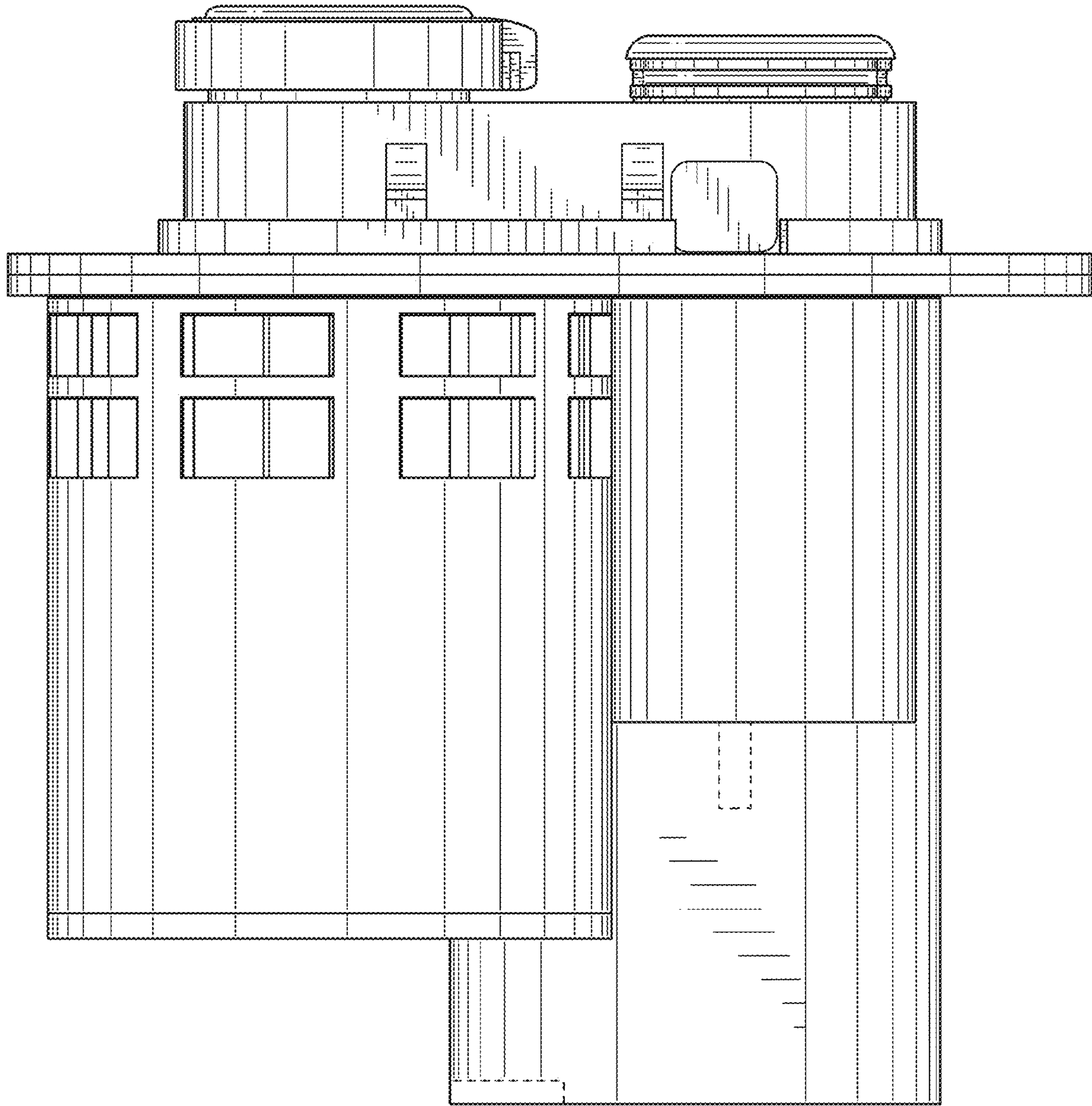


FIG. 3

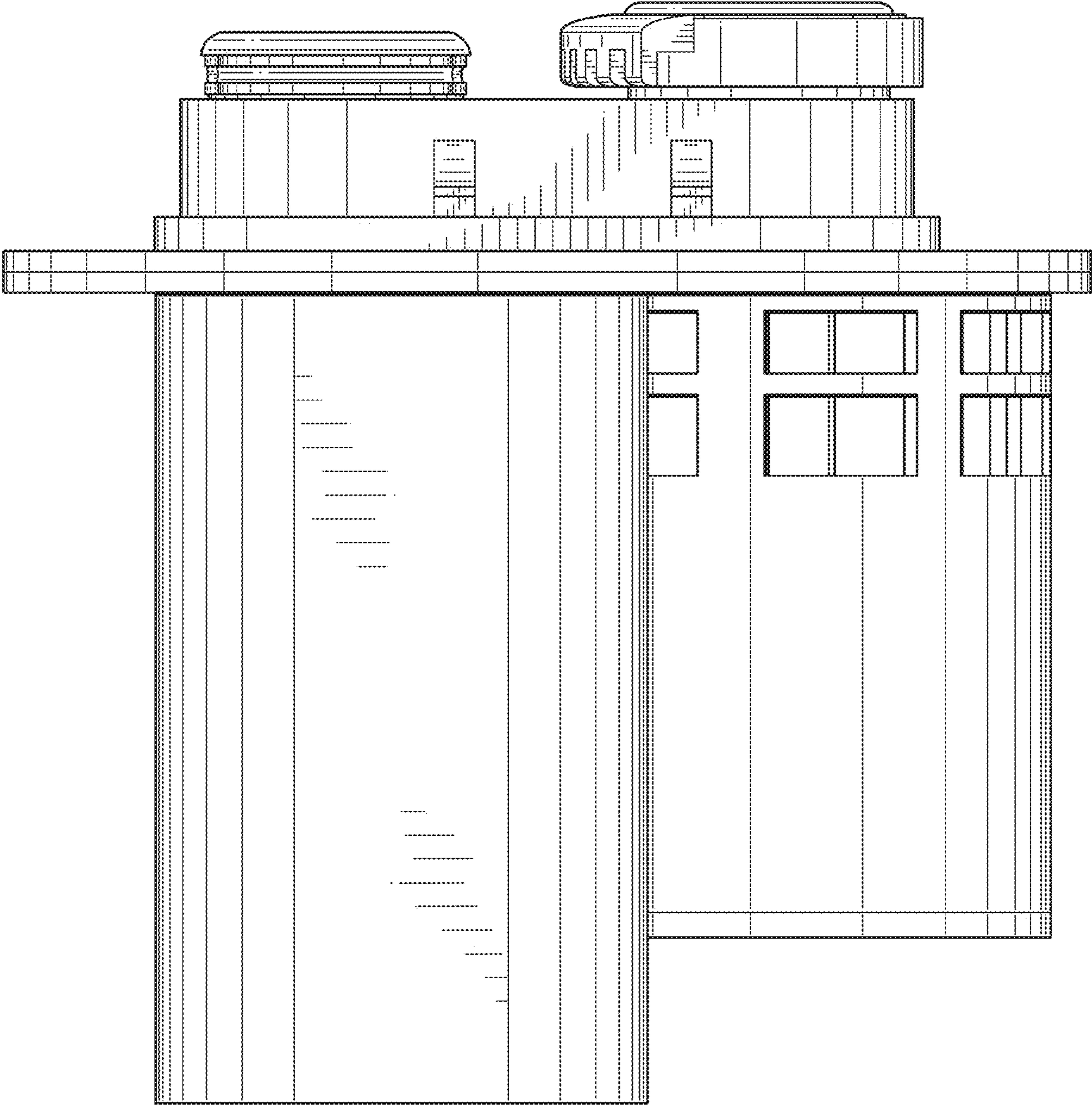
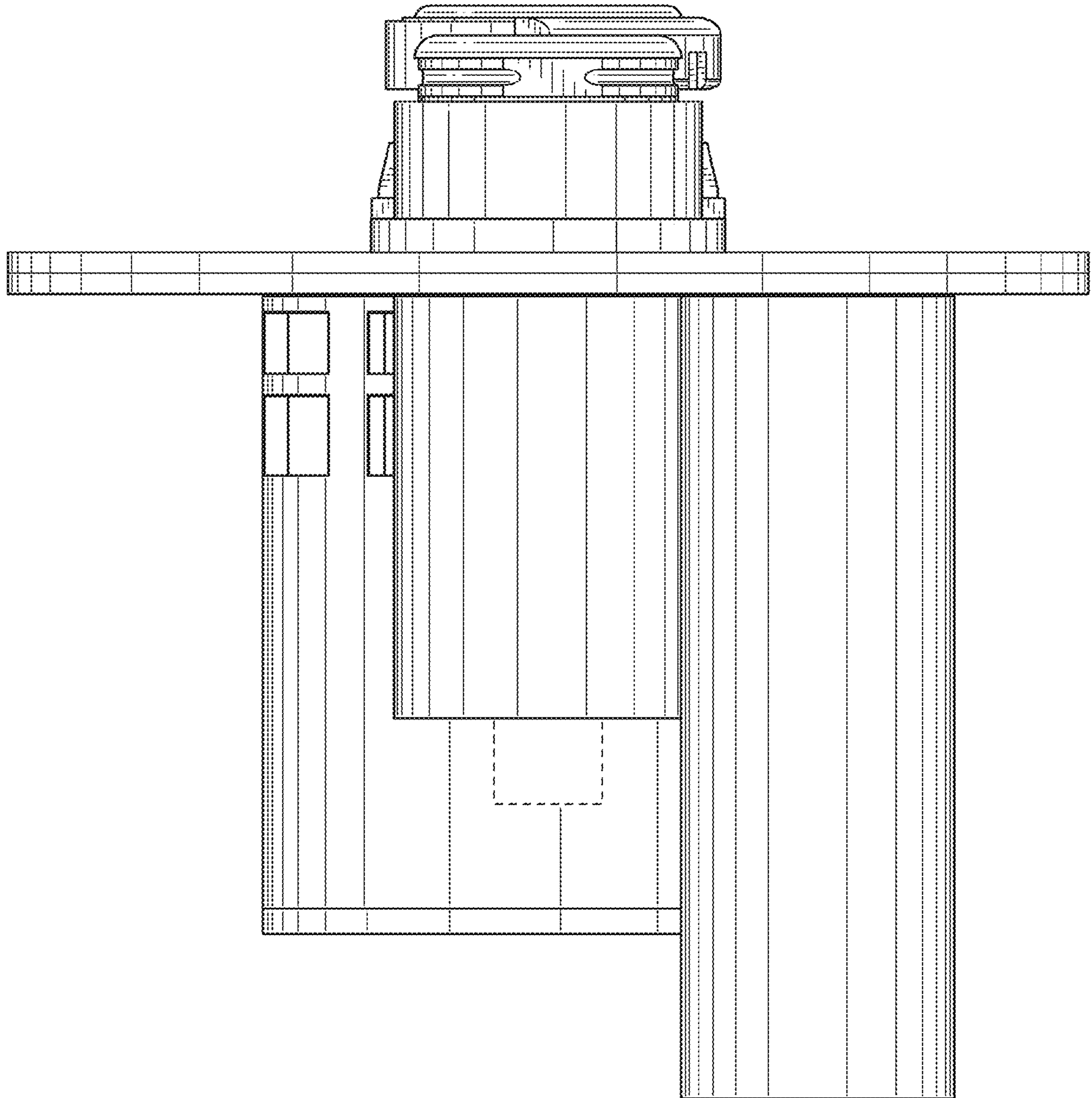
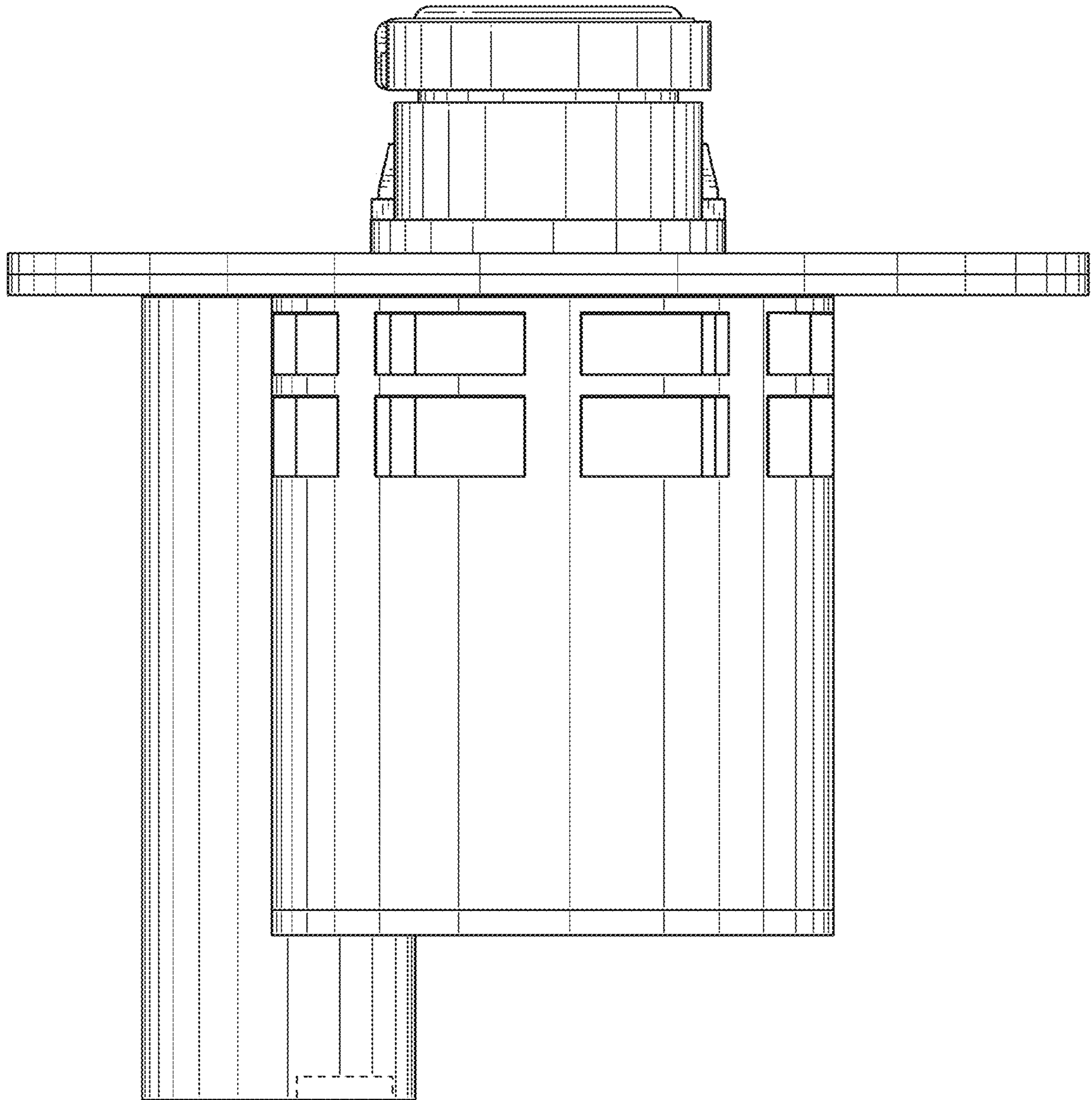


FIG. 4



*FIG. 5*



*FIG. 6*