



US00D943004S

(12) **United States Design Patent** (10) **Patent No.:** **US D943,004 S**
Park (45) **Date of Patent:** **** Feb. 8, 2022**

(54) **PUMPHEAD WITH LEVER**

(74) *Attorney, Agent, or Firm* — Walter M. Egbert, III;
Richard J. Brown; Reed Smith LLP

(71) Applicant: **Bell Sports, Inc.**, Scotts Valley, CA
(US)

(72) Inventor: **Stephen C. Park**, San Jose, CA (US)

(57) **CLAIM**

The ornamental design for a pumphead with lever, as shown
and described.

(73) Assignee: **Bell Sports, Inc.**, Scotts Valley, CA
(US)

(**) Term: **15 Years**

DESCRIPTION

(21) Appl. No.: **29/684,376**

(22) Filed: **Mar. 20, 2019**

(51) **LOC (13) Cl.** **15-02**

(52) **U.S. Cl.**
USPC **D15/7**

(58) **Field of Classification Search**
USPC D15/7-9; 137/231
CPC F16K 15/20; F16K 31/602
See application file for complete search history.

FIG. 1 is a rear perspective view of a pumphead with lever
in locked position
FIG. 2 is a front perspective view thereof;
FIG. 3 is a back view thereof;
FIG. 4 is a front view thereof;
FIG. 5 is a right side view thereof;
FIG. 6 is a bottom view thereof;
FIG. 7 is a left side view thereof;
FIG. 8 is a top view thereof;
FIG. 9 is a rear perspective view of the pumphead with lever
in unlocked position
FIG. 10 is a front perspective view thereof;
FIG. 11 is a back view thereof;
FIG. 12 is a front view thereof;
FIG. 13 is a right side view thereof;
FIG. 14 is a bottom view thereof;
FIG. 15 is a left side view thereof; and,
FIG. 16 is a top view thereof.

The broken lines shown in the figures are for the purpose of
illustrating portions of the pumphead with lever and form no
part of the claimed design.

(56) **References Cited**

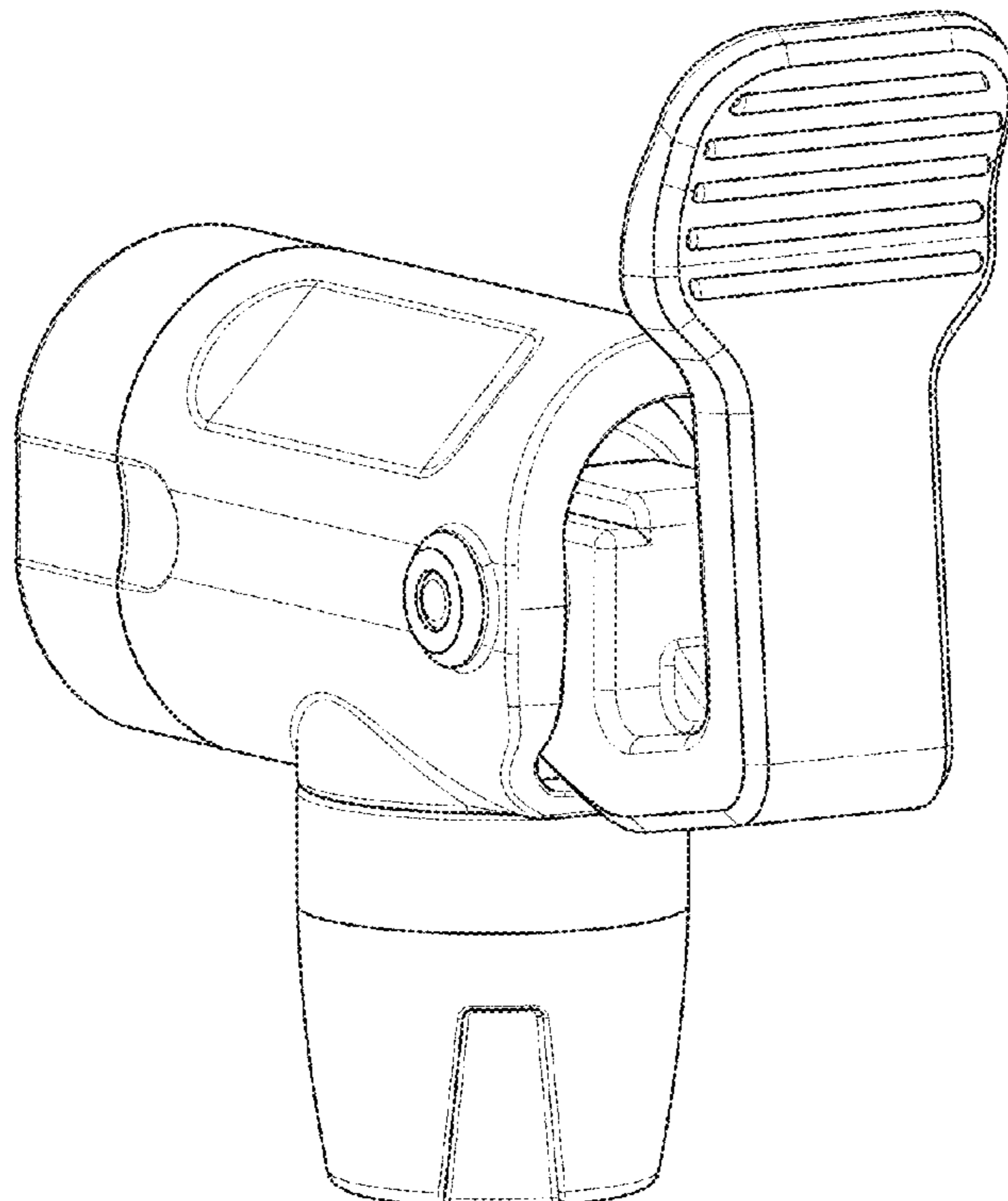
U.S. PATENT DOCUMENTS

9,388,914 B2 *	7/2016	Wang	F16K 31/602
D903,719 S *	12/2020	DeBaker	D15/7
2016/0061358 A1 *	3/2016	Chu	F16L 15/04
				137/231
2017/0276277 A1 *	9/2017	Wang	F04B 33/005
2017/0276278 A1 *	9/2017	Wang	F16L 37/18

* cited by examiner

Primary Examiner — Gino Colan

1 Claim, 16 Drawing Sheets



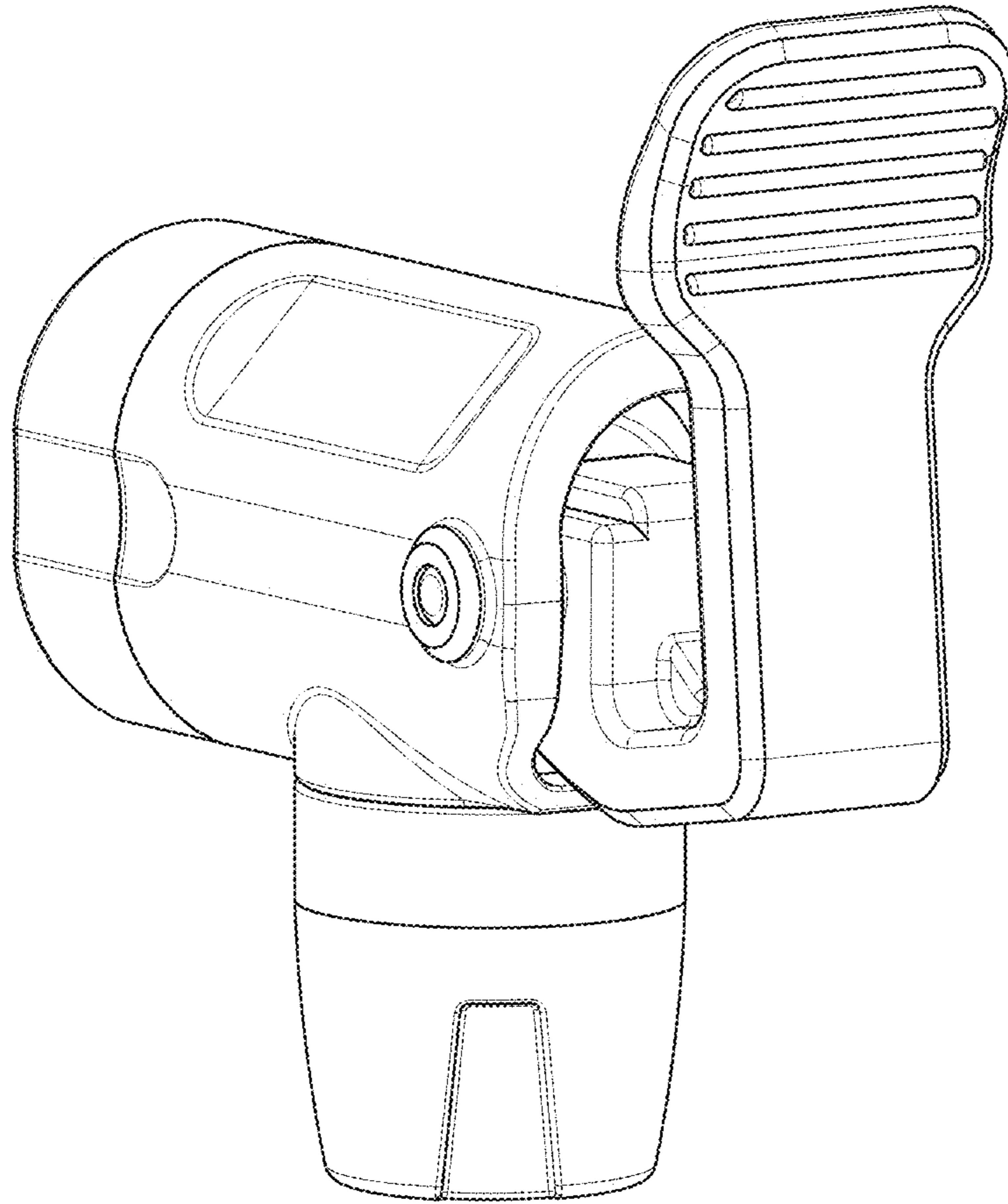


FIG. 1

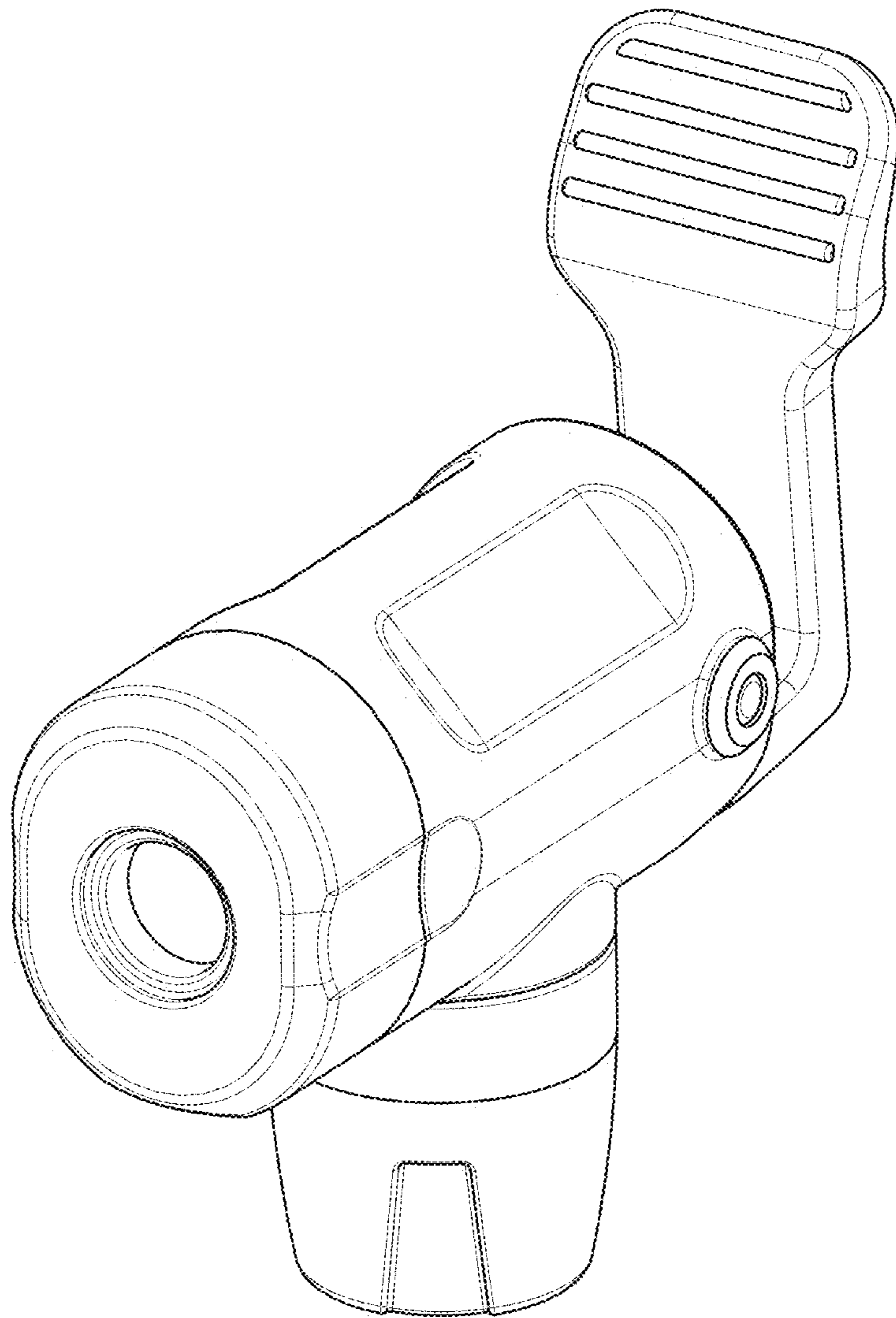


FIG. 2

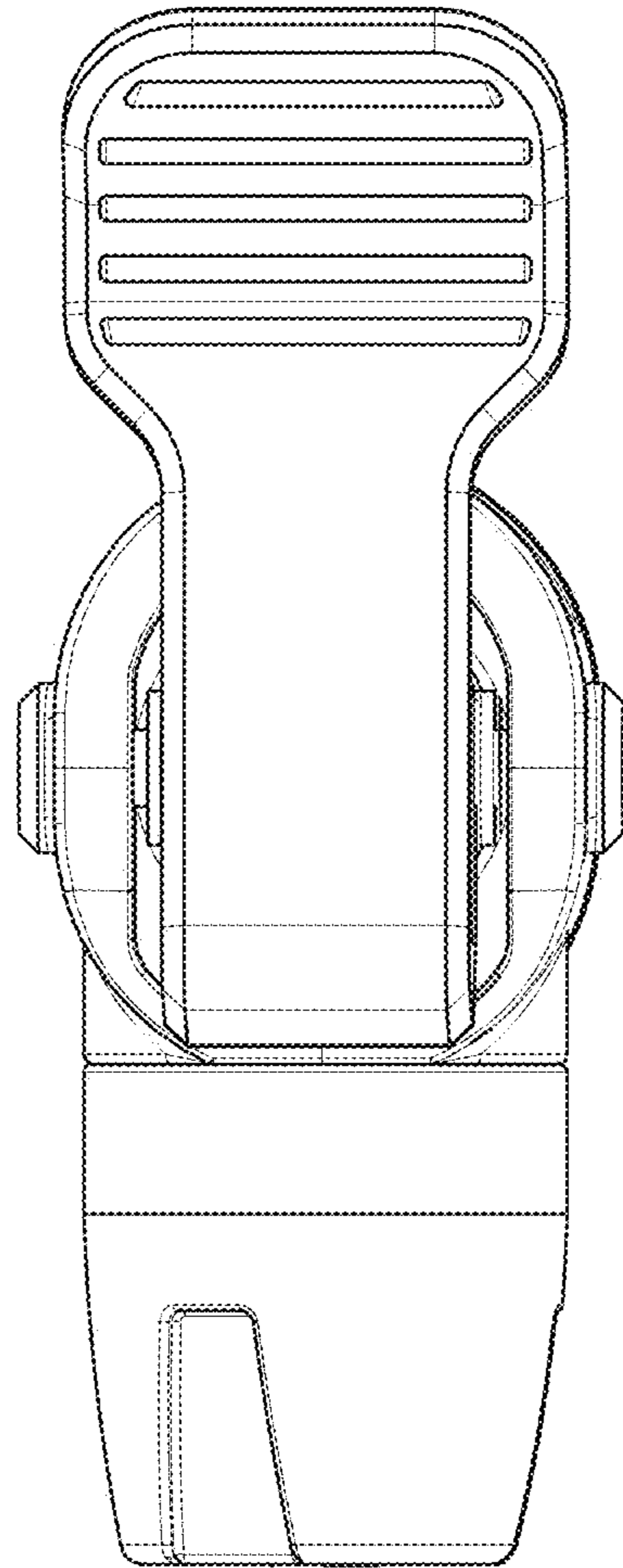


FIG. 3

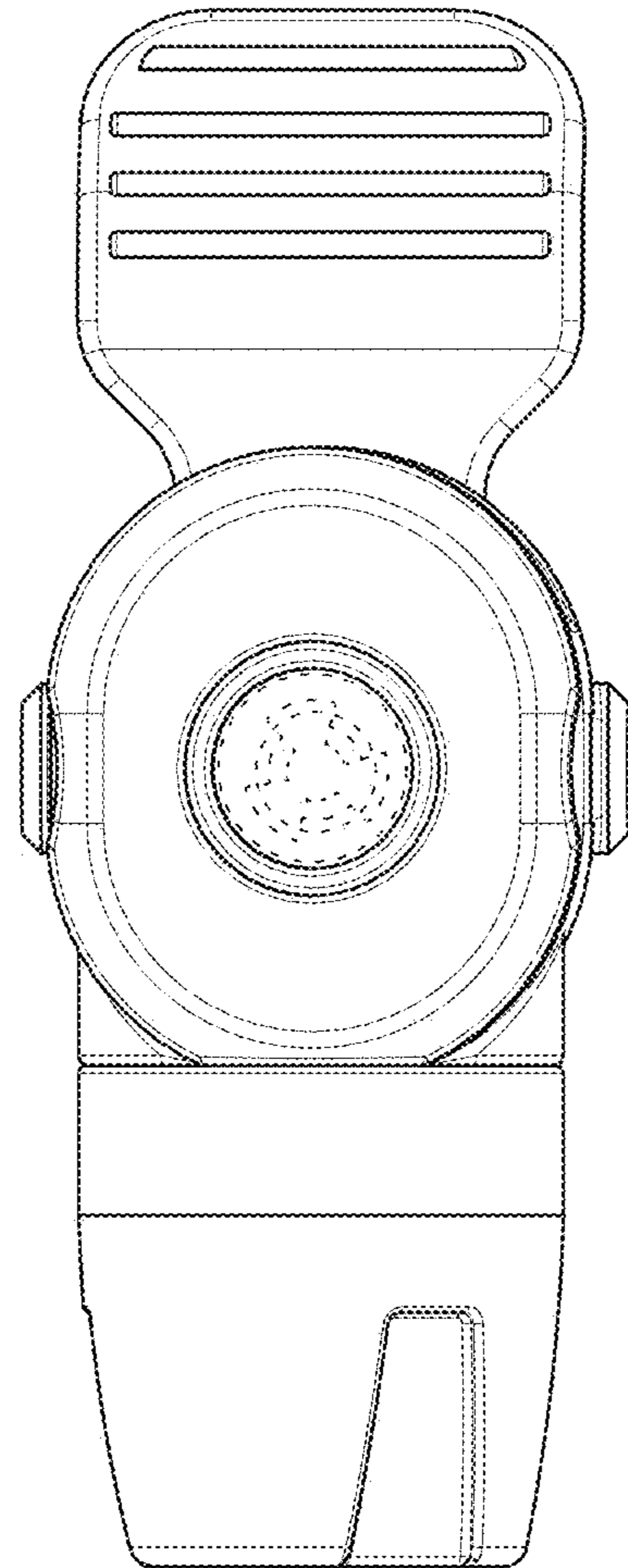


FIG. 4

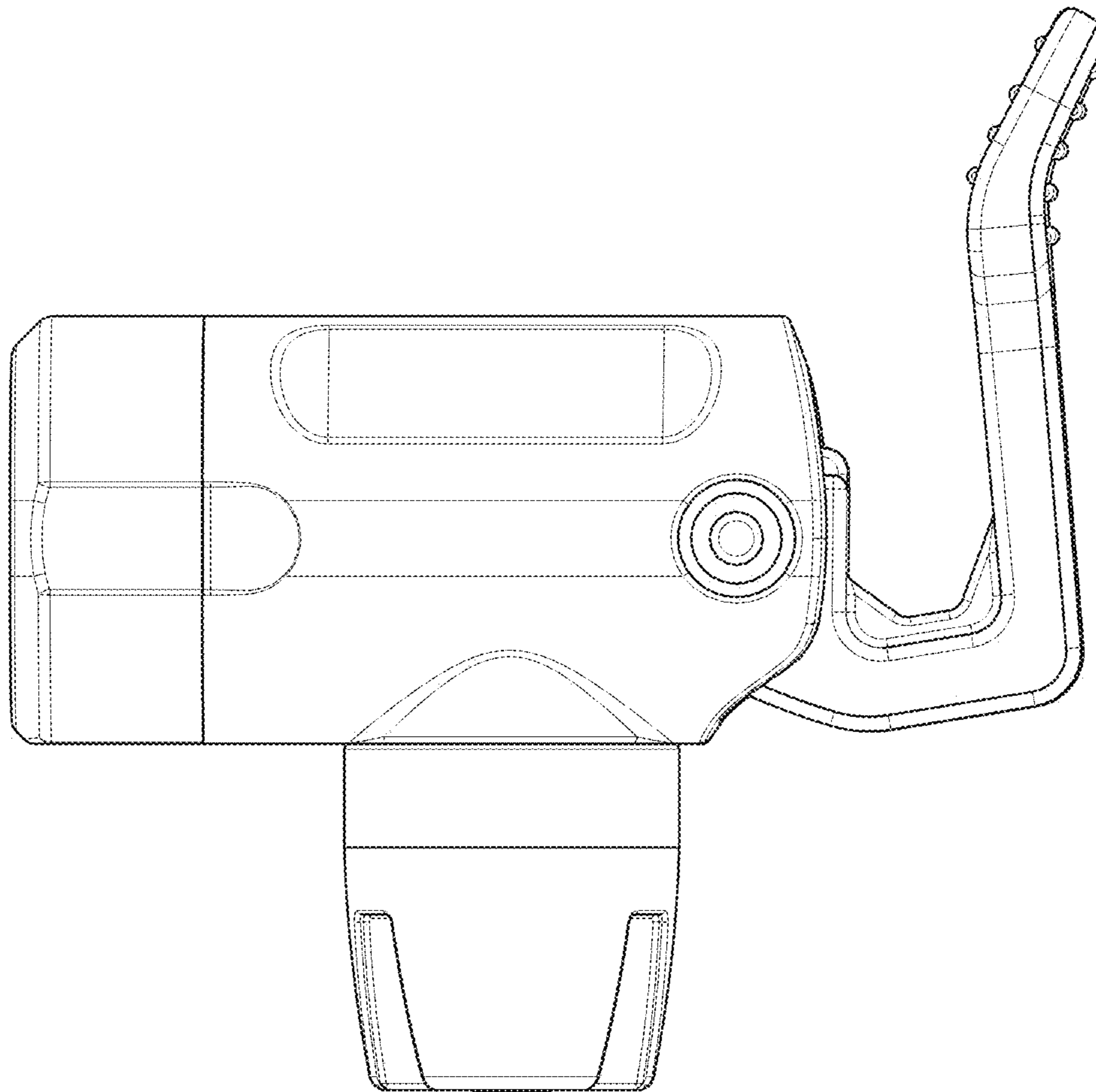


FIG. 5

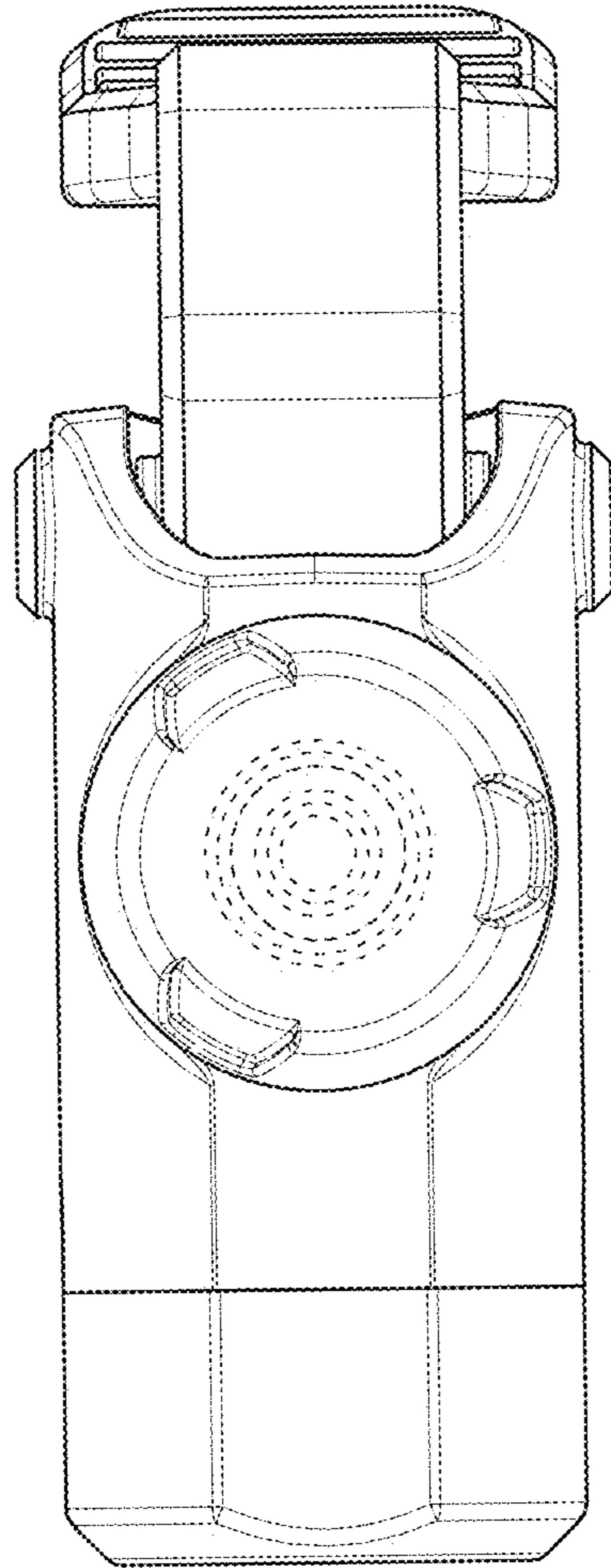


FIG. 6

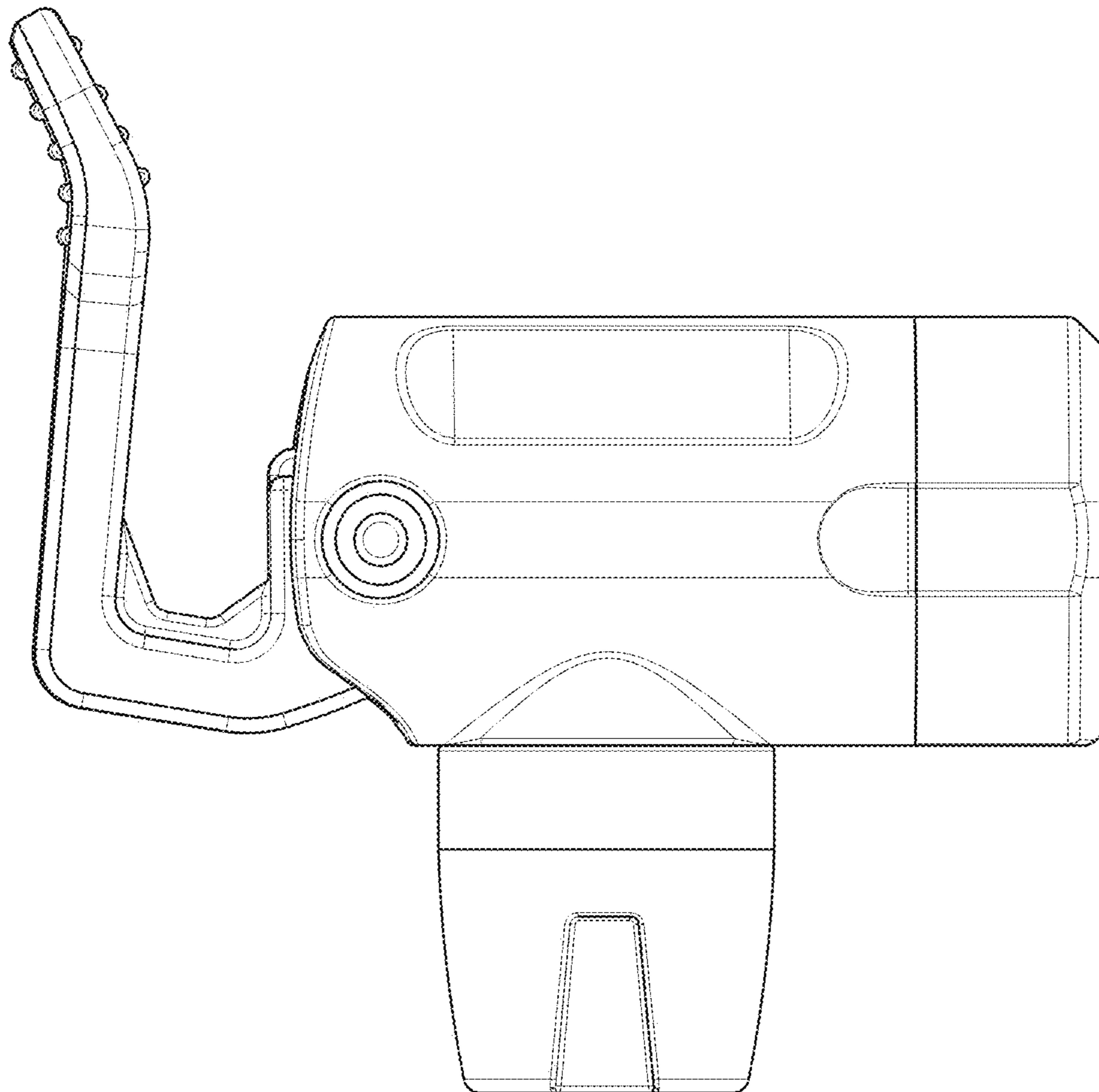


FIG. 7

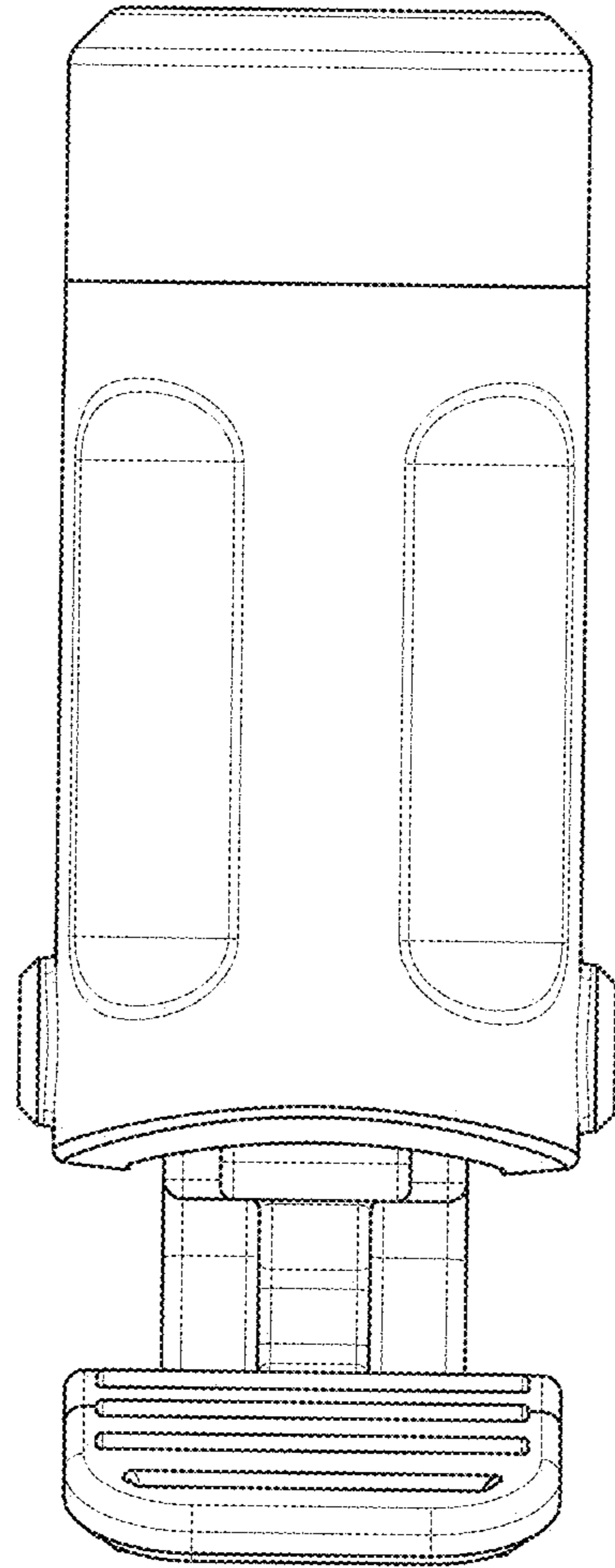


FIG. 8

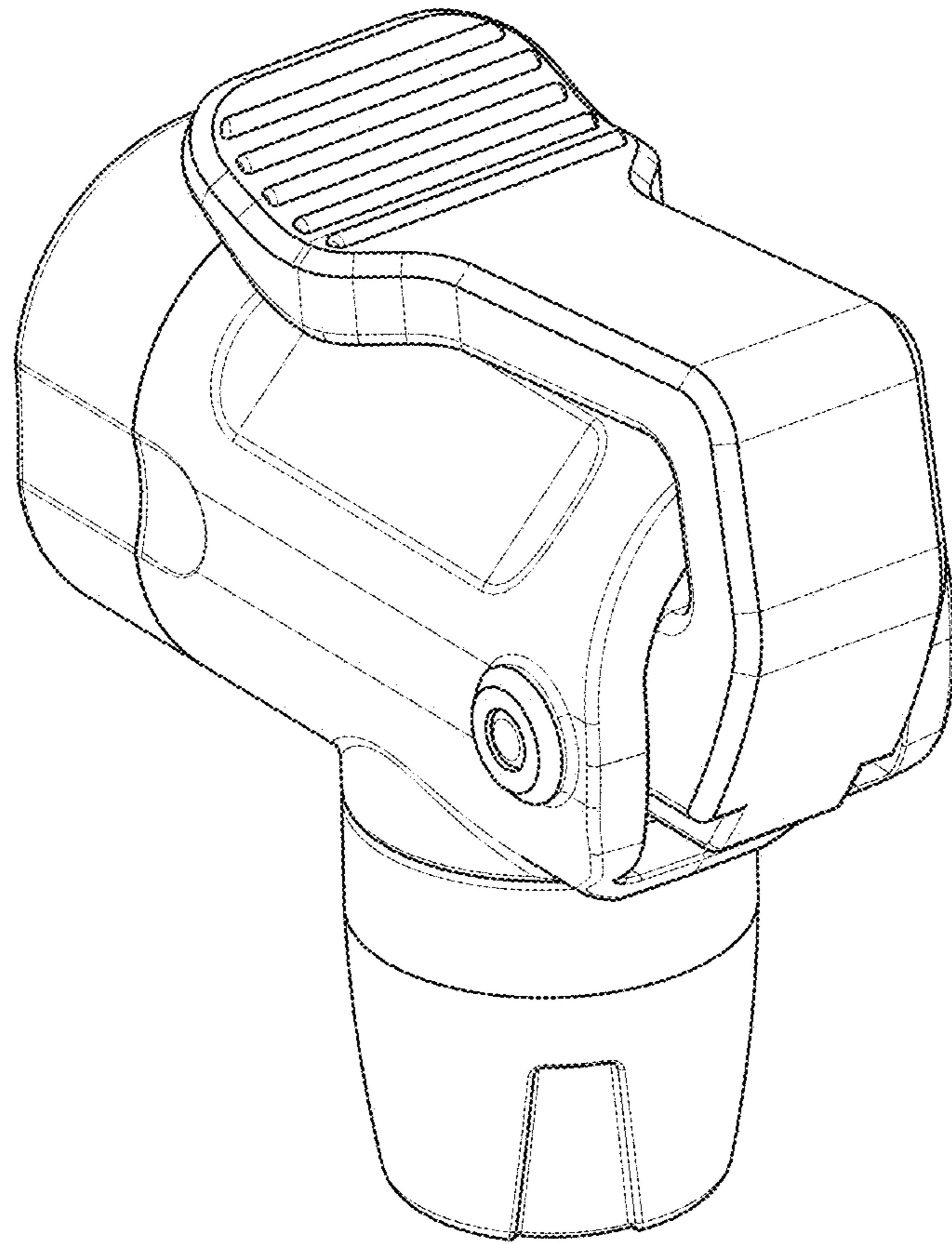


FIG. 9

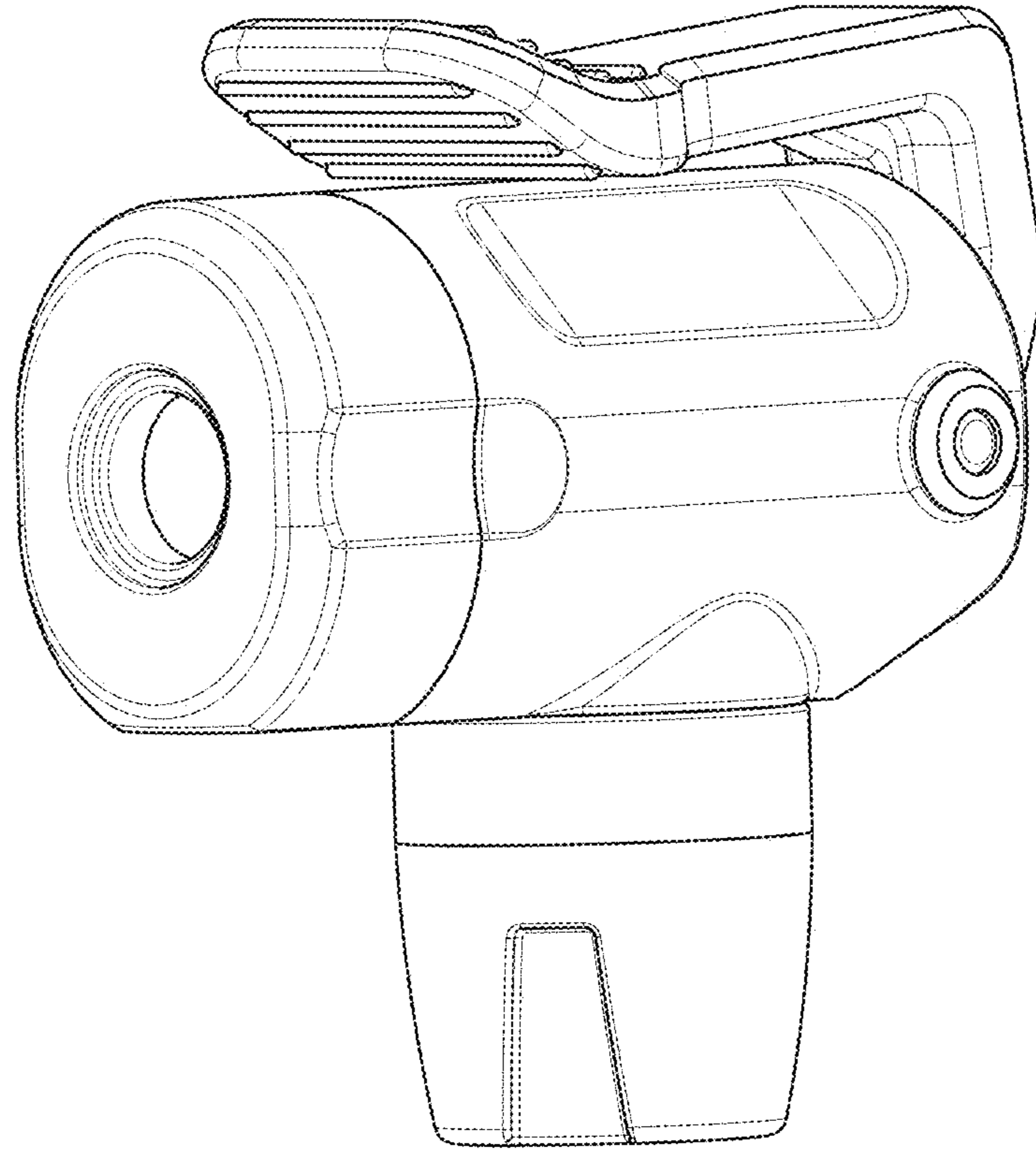


FIG. 10

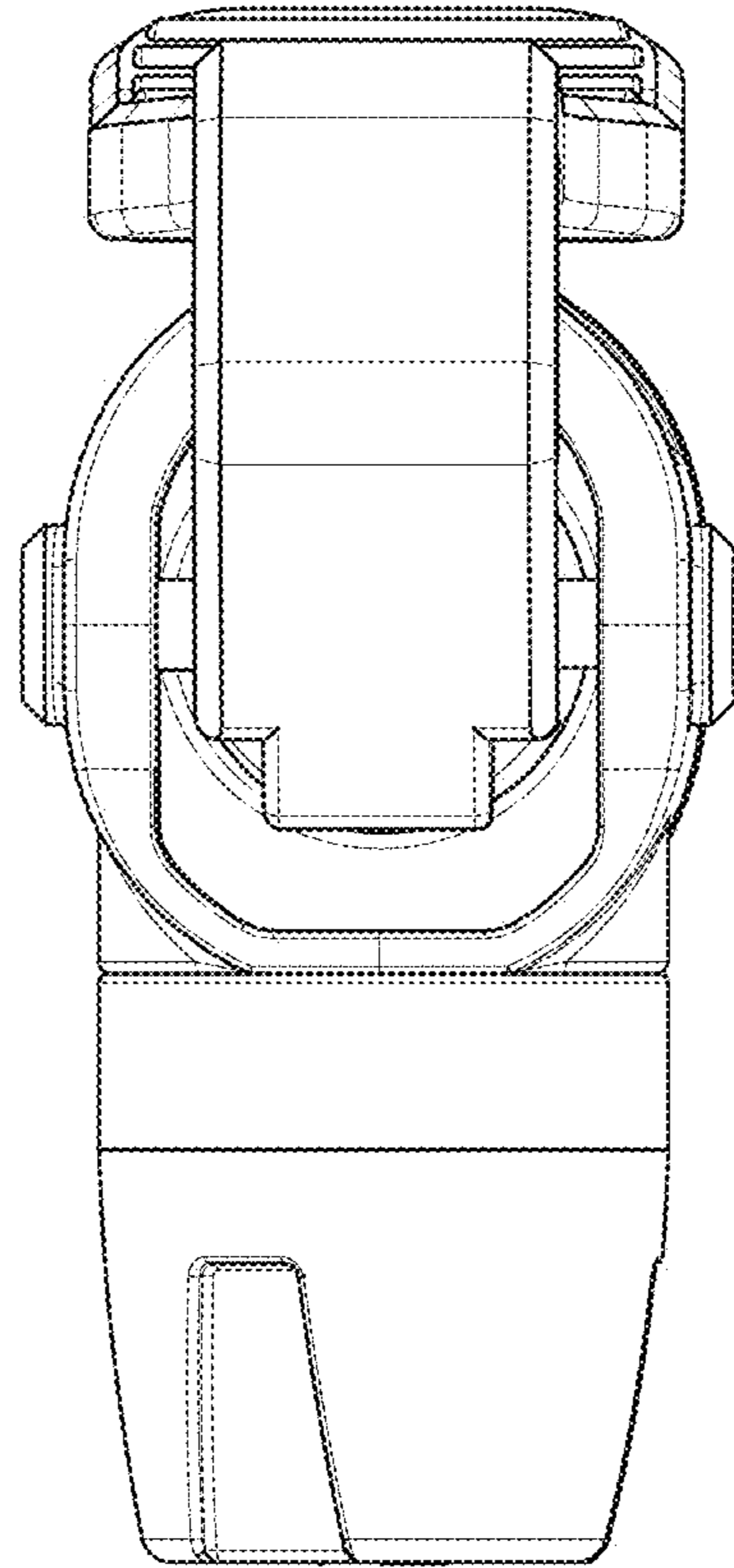


FIG. 11

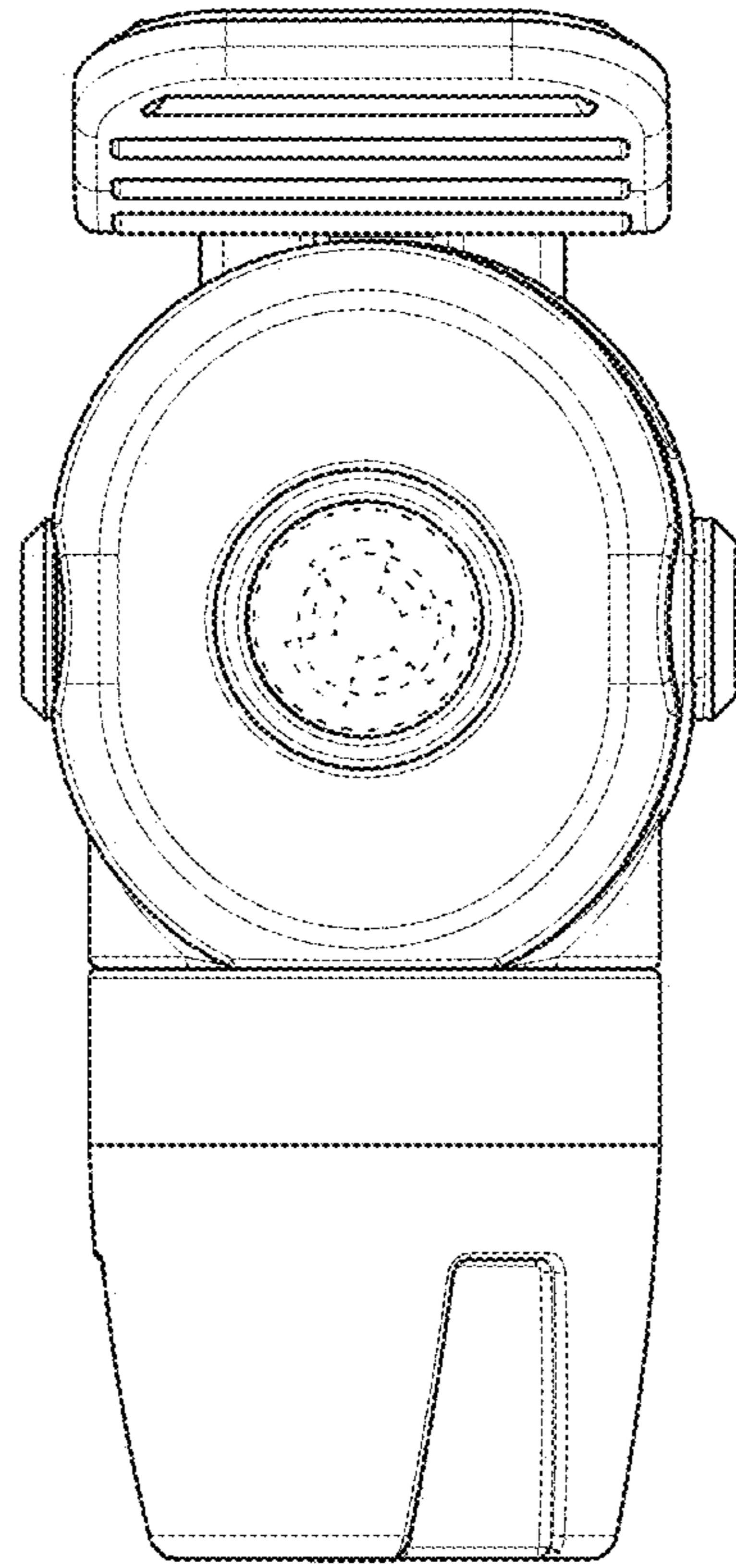


FIG. 12

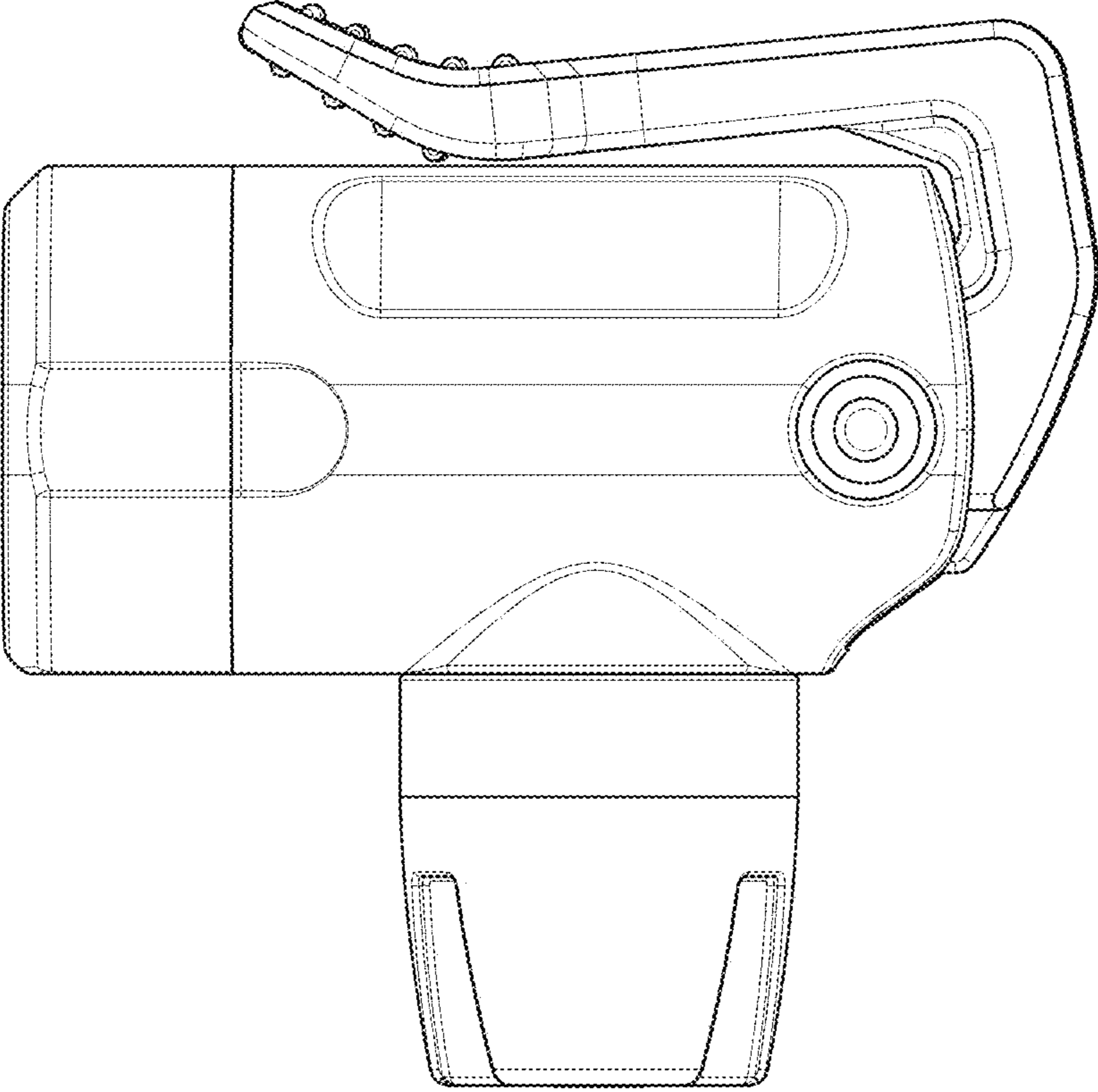


FIG. 13

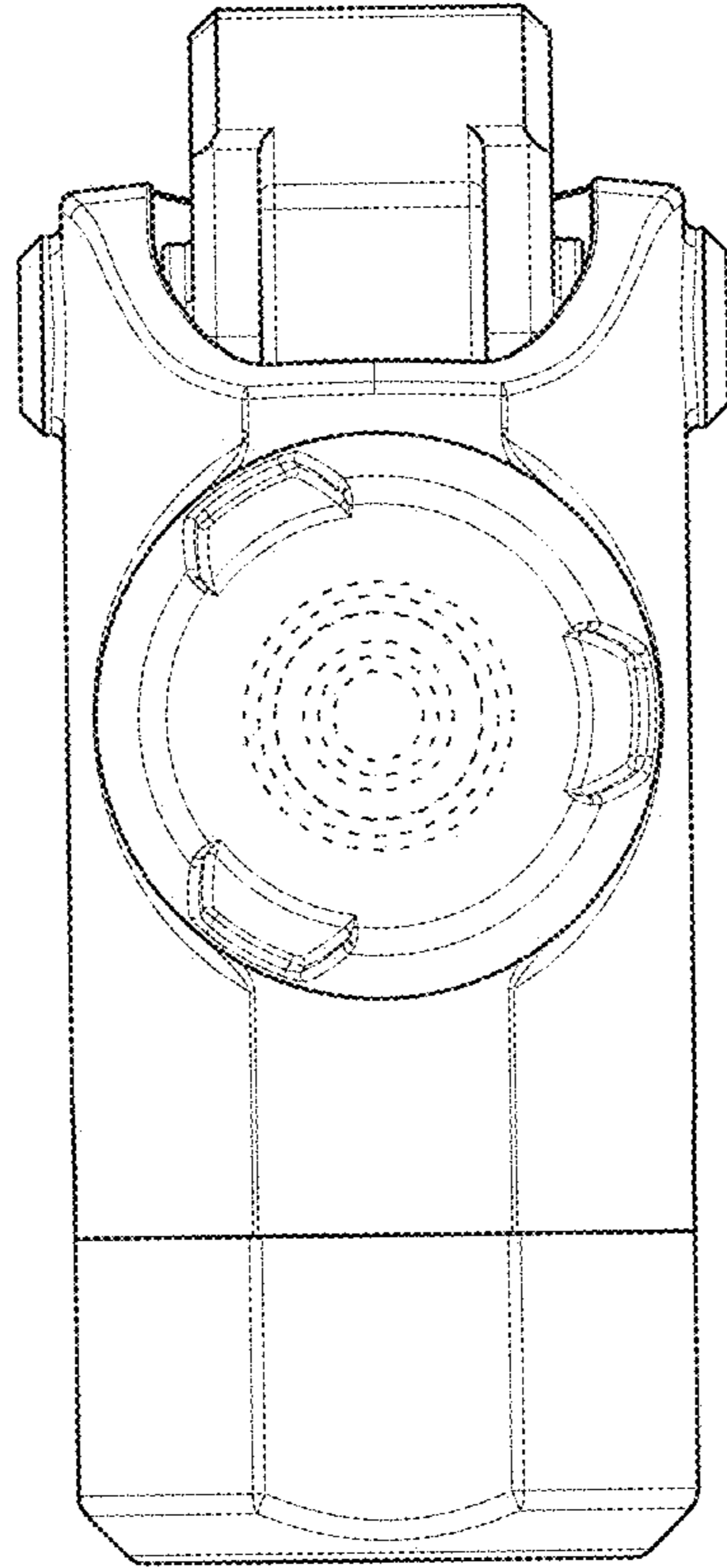


FIG. 14

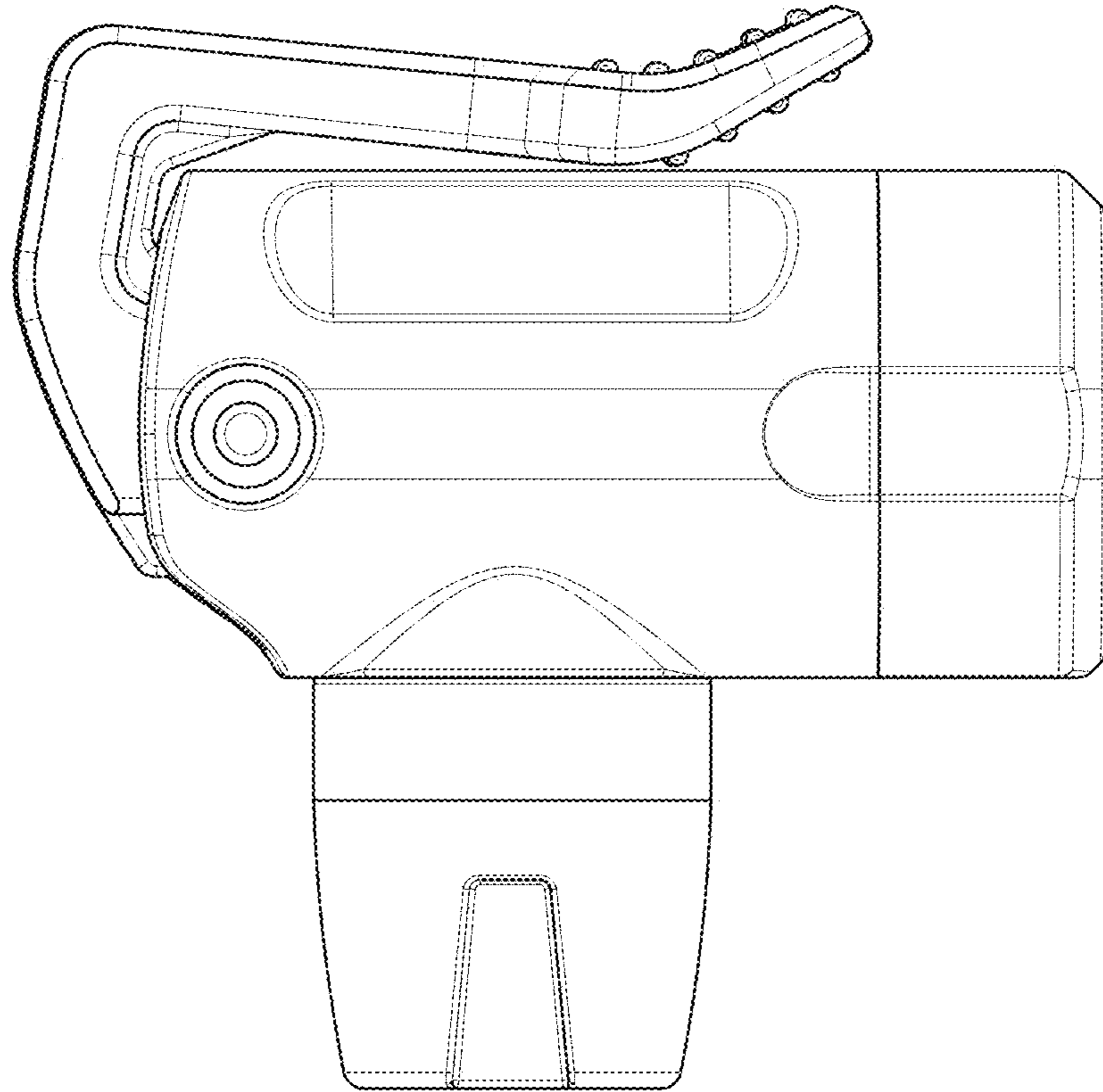


FIG. 15

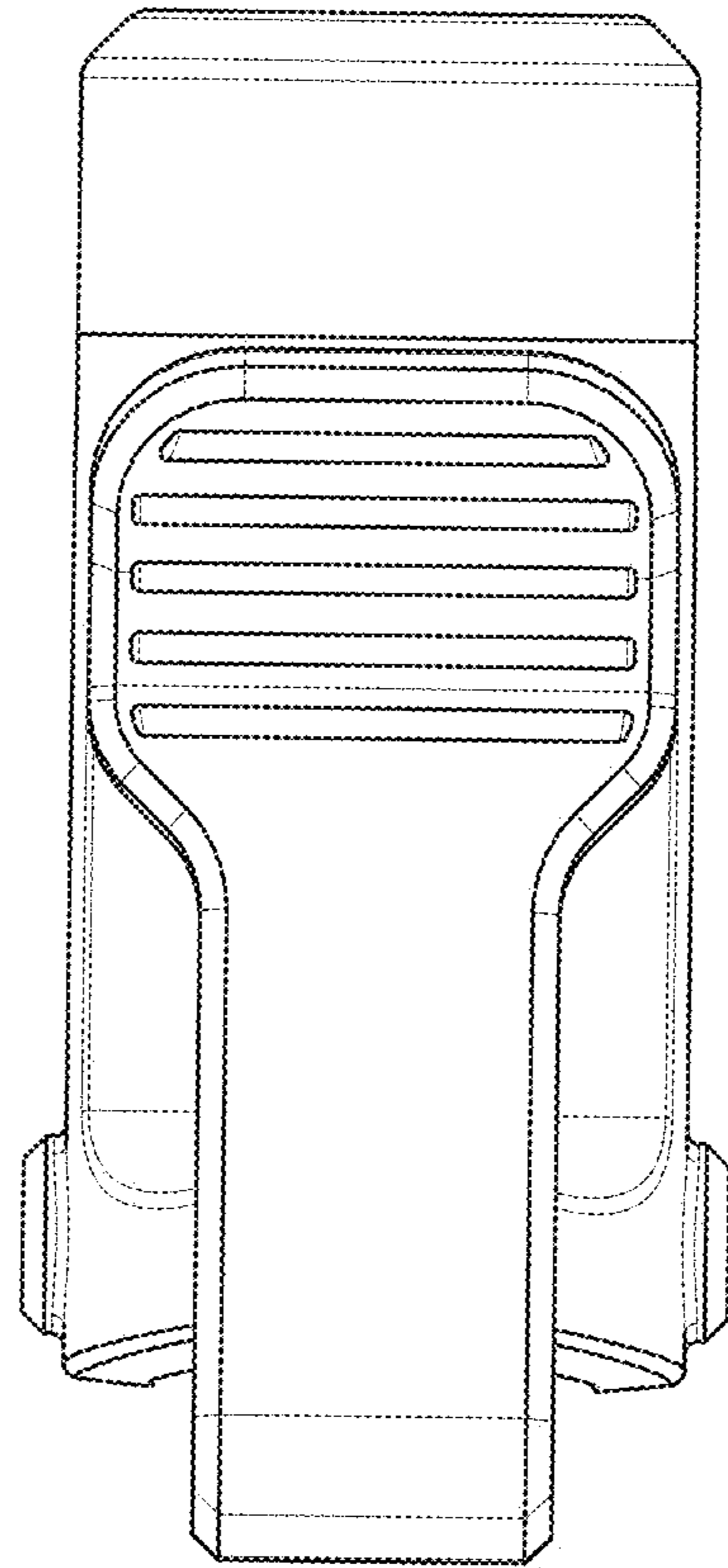


FIG. 16