



US00D942987S

(12) **United States Design Patent** (10) **Patent No.:** **US D942,987 S**
Chaudhri et al. (45) **Date of Patent:** **** Feb. 8, 2022**

(54) **DISPLAY SCREEN OR PORTION THEREOF WITH GRAPHICAL USER INTERFACE**

(71) Applicant: **Apple Inc.**, Cupertino, CA (US)

(72) Inventors: **Imran Chaudhri**, San Francisco, CA (US); **Jonathan P. Ive**, San Francisco, CA (US)

(73) Assignee: **Apple Inc.**, Cupertino, CA (US)

(**) Term: **15 Years**

(21) Appl. No.: **29/719,262**

(22) Filed: **Jan. 2, 2020**

Related U.S. Application Data

(63) Continuation of application No. 29/584,961, filed on Nov. 18, 2016, now Pat. No. Des. 872,098, which is a continuation of application No. 29/476,967, filed on Dec. 18, 2013, now Pat. No. Des. 772,278.

(51) **LOC (13) Cl.** **14-04**

(52) **U.S. Cl.**
USPC **D14/485**

(58) **Field of Classification Search**
USPC D14/485-495
CPC G06F 3/048; G06F 3/0481; G06F 3/0482; G06F 3/04842; G06F 3/04847; G06F 3/0485; G06F 1/1692; G06F 2203/04806
See application file for complete search history.

(56) **References Cited**

U.S. PATENT DOCUMENTS

- 5,677,708 A 10/1997 Matthews, III et al.
- 5,767,835 A 6/1998 Obbink et al.
- 6,011,550 A 1/2000 Capps et al.
- 6,061,062 A 5/2000 Venolia
- 6,069,606 A 5/2000 Sciammarella et al.
- D437,858 S 2/2001 Yasui et al.
- 6,289,361 B1 9/2001 Uchida

- 6,310,631 B1 10/2001 Cecco et al.
- 6,374,260 B1 4/2002 Hoffert et al.
- D471,226 S 3/2003 Gray
- 6,678,891 B1 1/2004 Wilcox et al.
- D500,765 S 1/2005 Wasko
- D506,474 S 6/2005 Gildred
- D559,857 S 1/2008 VanOongen
- D571,820 S 6/2008 Scott et al.
- 7,383,510 B2 6/2008 Pry
- D573,601 S 7/2008 Gregov et al.
- 7,437,005 B2 10/2008 Drucker et al.

(Continued)

OTHER PUBLICATIONS

U.S. Appl. No. 29/705,898, filed Sep. 16, 2019.

(Continued)

Primary Examiner — Daniel J Domino

(74) *Attorney, Agent, or Firm* — Sterne, Kessler, Goldstein & Fox P.L.L.C.

(57) **CLAIM**

The ornamental design for a display screen or portion thereof with graphical user interface, as shown and described.

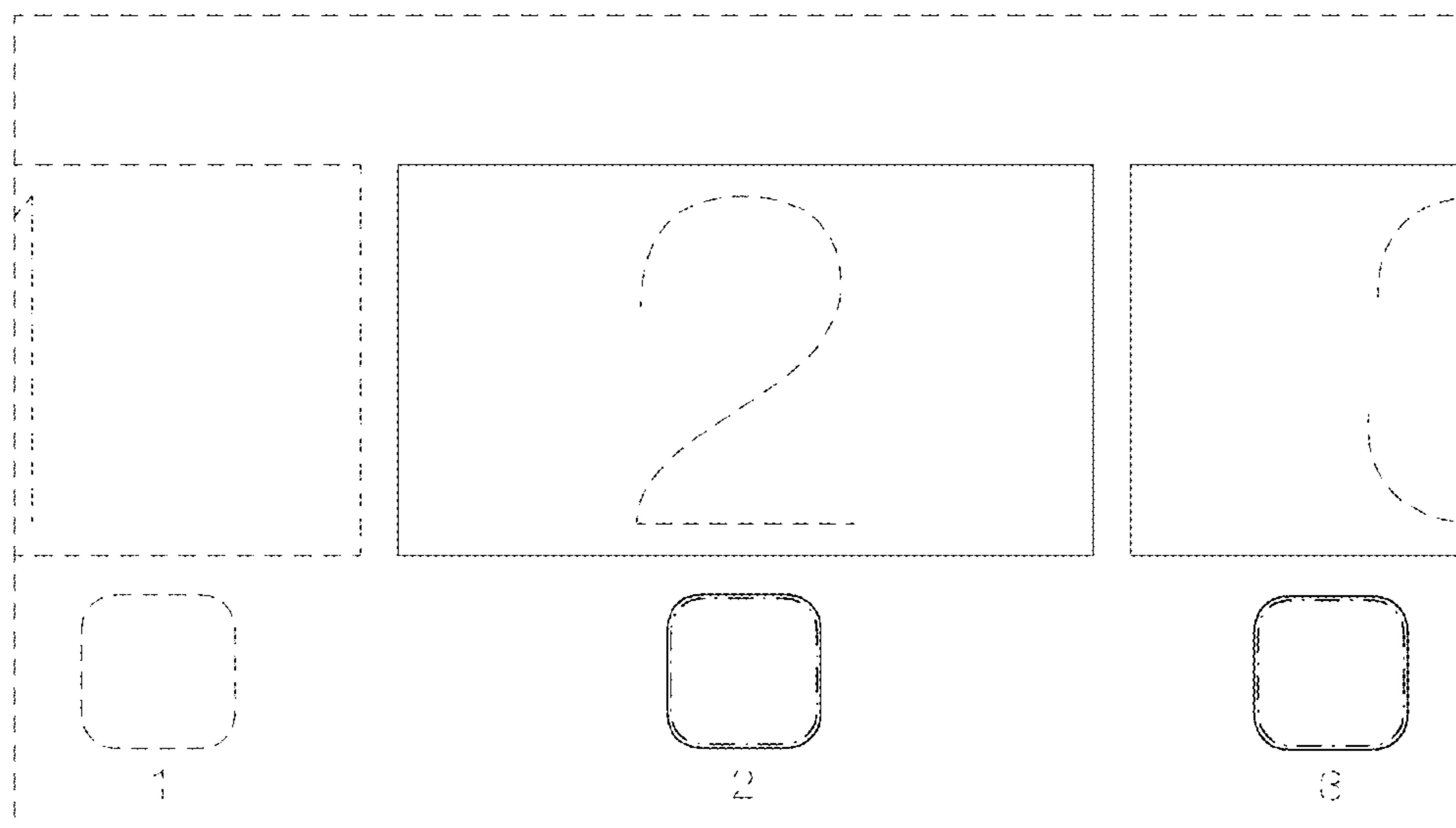
DESCRIPTION

FIG. 1 is a front view of a display screen or portion thereof with graphical user interface showing the claimed design; and,

FIG. 2 is a front view of another embodiment thereof.

The outermost dashed broken lines in the figures show a display screen or portion thereof, and form no part of the claimed design. The other dashed broken lines in the figures show portions of the graphical user interface that form no part of the claimed design. The dot-dash broken lines in the figures and the areas within the dot-dash broken lines show portions of the graphical user interface that form no part of the claimed design.

1 Claim, 2 Drawing Sheets



(56)

References Cited

U.S. PATENT DOCUMENTS

D582,930 S	12/2008	Blankenship et al.	D703,695 S	4/2014	Anzures et al.
D586,821 S	2/2009	Koh	D704,211 S	5/2014	Agnew et al.
D593,575 S *	6/2009	Ball D14/486	D705,248 S	5/2014	McCormack et al.
D593,576 S	6/2009	Ball et al.	D706,803 S	6/2014	Rogowski et al.
7,587,683 B2	9/2009	Ito et al.	D707,249 S	6/2014	Yamada
D608,366 S	1/2010	Matas	8,760,418 B2	6/2014	Miyazawa et al.
D608,368 S	1/2010	Bamford	D711,416 S	8/2014	Francisco et al.
7,650,569 B1	1/2010	Allen et al.	D711,906 S	8/2014	Francisco et al.
D613,300 S	4/2010	Chaudhri	D711,907 S	8/2014	Sepulveda et al.
D614,664 S	4/2010	Barcheck et al.	8,819,726 B2	8/2014	Wetzer et al.
7,694,231 B2	4/2010	Kocienda et al.	D712,914 S	9/2014	Lee et al.
D616,450 S	5/2010	Simons et al.	D712,915 S	9/2014	Lee et al.
7,714,926 B2	5/2010	Kobayashi et al.	D712,916 S	9/2014	Lee et al.
D619,146 S	7/2010	Flik et al.	D712,917 S	9/2014	Lee et al.
D623,057 S	9/2010	Kletz	D713,413 S	9/2014	Lee et al.
D624,927 S	10/2010	Allen et al.	D713,414 S	9/2014	Lee et al.
D624,932 S	10/2010	Chaudhri	D713,415 S	9/2014	Lee et al.
D625,323 S	10/2010	Matsushima et al.	D713,416 S	9/2014	Lee et al.
7,812,826 B2	10/2010	Ording et al.	D714,822 S	10/2014	Capua et al.
D627,790 S *	11/2010	Chaudhri D14/486	D715,315 S	10/2014	Wood
7,839,385 B2	11/2010	Hunleth et al.	D715,316 S	10/2014	Hemeon et al.
D633,918 S	3/2011	Vance et al.	D716,334 S	10/2014	Lee et al.
D636,400 S	4/2011	Vance et al.	D716,338 S	10/2014	Lee
D636,402 S	4/2011	Vance et al.	D716,825 S	11/2014	Bachman et al.
D637,604 S	5/2011	Brinda	D717,316 S	11/2014	Lee
D637,606 S	5/2011	Luke et al.	D717,321 S	11/2014	Lee
D638,851 S	5/2011	Brinda	D717,322 S	11/2014	Lee
D650,791 S	12/2011	Weir et al.	D717,323 S	11/2014	Lee
D650,799 S	12/2011	Wantland et al.	D717,326 S	11/2014	Kim
D651,608 S	1/2012	Allen et al.	8,878,879 B2	11/2014	Lee et al.
D651,609 S	1/2012	Pearson et al.	D718,780 S	12/2014	Rajaraman et al.
D653,260 S	1/2012	Vance et al.	D718,781 S	12/2014	Arnold et al.
8,112,718 B2	2/2012	Nezu et al.	D719,188 S	12/2014	Anderson et al.
D656,508 S	3/2012	Makhlouf	D720,764 S	1/2015	Lee
D656,511 S	3/2012	Hally et al.	D721,717 S	1/2015	Endert
D658,670 S	5/2012	Ray et al.	D721,721 S	1/2015	Seung-Hyuck
D660,864 S	5/2012	Anzures et al.	D721,722 S	1/2015	Lee
D661,702 S	6/2012	Asai et al.	D722,608 S	2/2015	Donahue et al.
D662,942 S	7/2012	Trabona et al.	D723,044 S	2/2015	Park
D663,313 S	7/2012	David et al.	D723,051 S	2/2015	Park
D664,560 S	7/2012	Gilmore et al.	D724,609 S	3/2015	Myung et al.
D664,561 S	7/2012	Gleasman et al.	D725,132 S	3/2015	Jou
8,214,739 B2	7/2012	Yoritata et al.	D725,136 S	3/2015	Prajapati et al.
D664,974 S	8/2012	Gleasman et al.	D725,666 S	3/2015	Tseng et al.
D665,414 S	8/2012	Lee et al.	D725,668 S	3/2015	Clare et al.
D666,626 S	9/2012	Mori et al.	D726,200 S	4/2015	Yang et al.
D667,020 S	9/2012	MacKenzie et al.	D726,751 S	4/2015	Angelides
D668,666 S	10/2012	Anzures et al.	D726,759 S	4/2015	Brinda et al.
D669,911 S	10/2012	Arnold et al.	D730,919 S	6/2015	Jeong et al.
D669,912 S	10/2012	Guss et al.	D732,570 S	6/2015	Choi et al.
8,296,684 B2	10/2012	Duarte et al.	9,052,925 B2	6/2015	Chaudhri
D670,308 S	11/2012	Vance et al.	9,063,646 B2	6/2015	Ozawa et al.
D670,724 S	11/2012	Mori et al.	D733,747 S	7/2015	Jeong et al.
D670,725 S	11/2012	Mori et al.	9,076,085 B2	7/2015	Yamada
D671,557 S	11/2012	Peters et al.	9,081,432 B2	7/2015	Kunioka et al.
D672,363 S	12/2012	Reyna et al.	D736,246 S	8/2015	Zhang et al.
D682,288 S	5/2013	Donahue et al.	D737,832 S	9/2015	Lim et al.
D682,307 S	5/2013	Donahue et al.	D738,394 S *	9/2015	Chaudhri D14/486
D682,842 S	5/2013	Kurata et al.	9,146,671 B2	9/2015	Ishibashi
D683,345 S	5/2013	Akana et al.	D741,353 S	10/2015	Anzures et al.
D686,221 S	7/2013	Brinda et al.	9,182,890 B2	11/2015	Kang et al.
D688,676 S	8/2013	Okumura et al.	D744,523 S	12/2015	Sanderson
8,516,395 B2	8/2013	Braunstein et al.	D746,858 S	1/2016	Vogt
D690,320 S	9/2013	Frijlink et al.	D747,336 S	1/2016	Carriga et al.
8,566,722 B2	10/2013	Gordon et al.	9,229,632 B2	1/2016	Walkin et al.
D692,915 S	11/2013	Brinda et al.	D749,622 S	2/2016	Chaudhri et al.
8,601,510 B2	12/2013	Araki et al.	D751,572 S	3/2016	Lee et al.
D699,743 S	2/2014	Arnold et al.	9,274,807 B2	3/2016	Shiplacoff et al.
D700,205 S	2/2014	Hartley et al.	D756,396 S	5/2016	Anzures et al.
D701,228 S	3/2014	Lee	D769,892 S	10/2016	Anzures et al.
D701,521 S	3/2014	Kim et al.	D772,262 S *	11/2016	Moon D14/486
D701,527 S	3/2014	Brinda et al.	D772,278 S	11/2016	Chaudhri et al.
D701,872 S	4/2014	Liu et al.	D775,147 S	12/2016	Chaudhri et al.
D702,698 S	4/2014	d'Amore et al.	D781,339 S *	3/2017	Li D14/487
D703,222 S	4/2014	Myung et al.	D788,152 S *	5/2017	Ovaice D14/487
			D789,969 S	6/2017	Chaudhri et al.
			D791,801 S	7/2017	Li
			D795,899 S	8/2017	Carrigan et al.
			D797,766 S *	9/2017	Ibsies D14/485

(56)

References Cited

U.S. PATENT DOCUMENTS

D804,510 S 12/2017 Federighi et al.
 D808,401 S 1/2018 Chaudhri et al.
 D808,975 S 1/2018 Park et al.
 D811,433 S * 2/2018 Dye D14/488
 D822,711 S 7/2018 Bachman et al.
 D826,951 S 8/2018 Su et al.
 D837,230 S * 1/2019 Johnston D14/485
 D837,809 S * 1/2019 Kagatsume D14/485
 D843,402 S * 3/2019 Casse D14/486
 D846,586 S * 4/2019 Kim D14/487
 D847,177 S 4/2019 Ma et al.
 D848,458 S 5/2019 Rocha et al.
 D849,026 S * 5/2019 Anzures D14/485
 D851,663 S * 6/2019 Guesnon, Jr. D14/486
 D854,566 S * 7/2019 Hsueh D14/486
 D854,583 S * 7/2019 Hsueh D14/492
 D860,233 S 9/2019 Chaudhri et al.
 D863,342 S * 10/2019 Clarke D14/487
 D867,375 S * 11/2019 Anzures D14/485
 D871,421 S * 12/2019 Kim D14/485
 D872,098 S * 1/2020 Chaudhri D14/485
 D872,104 S * 1/2020 Sakuma D14/485
 D872,118 S * 1/2020 Byun D14/486
 D872,732 S * 1/2020 Smith D14/485
 D872,750 S * 1/2020 Sakuma D14/485
 D874,504 S * 2/2020 Clediere D14/486
 D875,112 S * 2/2020 Clediere D14/485
 D875,762 S * 2/2020 Evans D14/486
 D879,113 S * 3/2020 Forbes D14/485
 D879,117 S * 3/2020 Dellinger D14/485
 D879,818 S * 3/2020 Evans D14/486
 D882,621 S * 4/2020 Anzures D14/486
 D886,836 S * 6/2020 Meaney D14/485
 D887,422 S * 6/2020 Forbes D14/485
 D888,733 S * 6/2020 Fong D14/486
 D888,756 S * 6/2020 Clarke D14/487
 D892,155 S * 8/2020 Anzures D14/486
 D892,826 S * 8/2020 Kim D14/485
 D892,844 S * 8/2020 Paull D14/486
 D894,199 S * 8/2020 Poor D14/485
 D894,200 S * 8/2020 Salas D14/485
 D894,224 S * 8/2020 Ko D14/488
 D900,845 S * 11/2020 Tomori D14/486
 D916,812 S * 4/2021 Dye D14/486
 D924,898 S * 7/2021 Xu D14/485
 D924,908 S * 7/2021 Ramkumar D14/486
 D924,914 S * 7/2021 Hayamizu D14/486
 D924,923 S * 7/2021 Paull D14/488
 D926,808 S * 8/2021 Maule H04N 7/183
 D927,514 S * 8/2021 Toth D14/486
 D928,176 S * 8/2021 Hamre D14/485
 D928,191 S * 8/2021 Ebler D14/486
 D928,802 S * 8/2021 Chou D14/485
 D929,420 S * 8/2021 Rhyu D14/485
 2005/0102610 A1 5/2005 Jie
 2006/0010395 A1 1/2006 Aaltonen
 2006/0013462 A1 1/2006 Sadikali
 2006/0200737 A1 9/2006 Nagatomo

2007/0004451 A1 1/2007 Anderson
 2007/0139410 A1 6/2007 Abe et al.
 2007/0288860 A1 12/2007 Ording et al.
 2007/0296709 A1 12/2007 GuangHai
 2008/0024444 A1 1/2008 Abe et al.
 2008/0155473 A1 6/2008 Duhig
 2008/0155475 A1 6/2008 Duhig
 2008/0189653 A1 8/2008 Taylor et al.
 2009/0066647 A1 3/2009 Kerr et al.
 2009/0271723 A1 10/2009 Matsushima et al.
 2009/0313578 A1 12/2009 Roh et al.
 2010/0023398 A1 1/2010 Brown et al.
 2010/0095240 A1 4/2010 Shiplacoff et al.
 2010/0125786 A1 5/2010 Ozawa et al.
 2010/0146423 A1 6/2010 Duchene
 2010/0174993 A1 7/2010 Pennington et al.
 2010/0211872 A1 8/2010 Rolston et al.
 2010/0277496 A1 11/2010 Kawanishi et al.
 2010/0325568 A1 12/2010 Pedersen et al.
 2011/0025711 A1 2/2011 Doi
 2011/0138320 A1 6/2011 Vronay et al.
 2011/0167388 A1 7/2011 Tsai
 2011/0202837 A1 8/2011 Fong et al.
 2011/0252357 A1 10/2011 Chaudhri
 2012/0017147 A1 1/2012 Mark
 2012/0023441 A1 1/2012 Wu et al.
 2012/0075650 A1 3/2012 Tani et al.
 2012/0120316 A1 5/2012 Lee
 2012/0151415 A1 6/2012 Park et al.
 2012/0272186 A1 10/2012 Kraut
 2012/0278725 A1 11/2012 Gordon
 2013/0036384 A1 2/2013 Murata
 2013/0063380 A1 3/2013 Wang et al.
 2013/0254717 A1 9/2013 Al-Ali et al.
 2014/0006990 A1 1/2014 Harada et al.
 2014/0082497 A1 3/2014 Chalouhi et al.
 2014/0173517 A1 6/2014 Chaudhri
 2014/0229895 A1 8/2014 Noda et al.
 2014/0282208 A1 9/2014 Chaudhri

OTHER PUBLICATIONS

The Ultimate Music App Guide, posted at idownloadblog.com by Jeff Benjamin, posted Mar. 22, 2014, © 2016 iDownloadBiog, [site visited Feb. 29, 2016]. Available from internet: <<http://www.idownloadblog.com/2014/03/22/ios-7-the-ultimate-music-app-guide/>>.
 Ten Short Films, posted at cliparts.co by Steampunk, posting date not posted, © 2016 Cliparts.com, [site visited Feb. 29, 2016]. Available from internet: <<http://cliparts.co/clipart/3548787>>.
 Plex for the New Apple TV4, posted at youtube.com by The Streaming Advisor, posted Nov. 3, 2015, [site visited Feb. 29, 2016]. Available from internet: <<https://www.youtube.com/watch?v=e1xHHA-BNU4>>.
 25 Audio Player Interfaces for Mobile Apps and Desktop Programs, posted at designwoop.com by Jake Rocheleau, posted Aug. 11, 2014, © 2014 DesignWoop.com, [site visited Feb. 29, 2016]. Available from internet: <<http://designwoop.com/2014/08/25-audio-player-interfaces-mobile-appsdesktop-programs/>>.

* cited by examiner

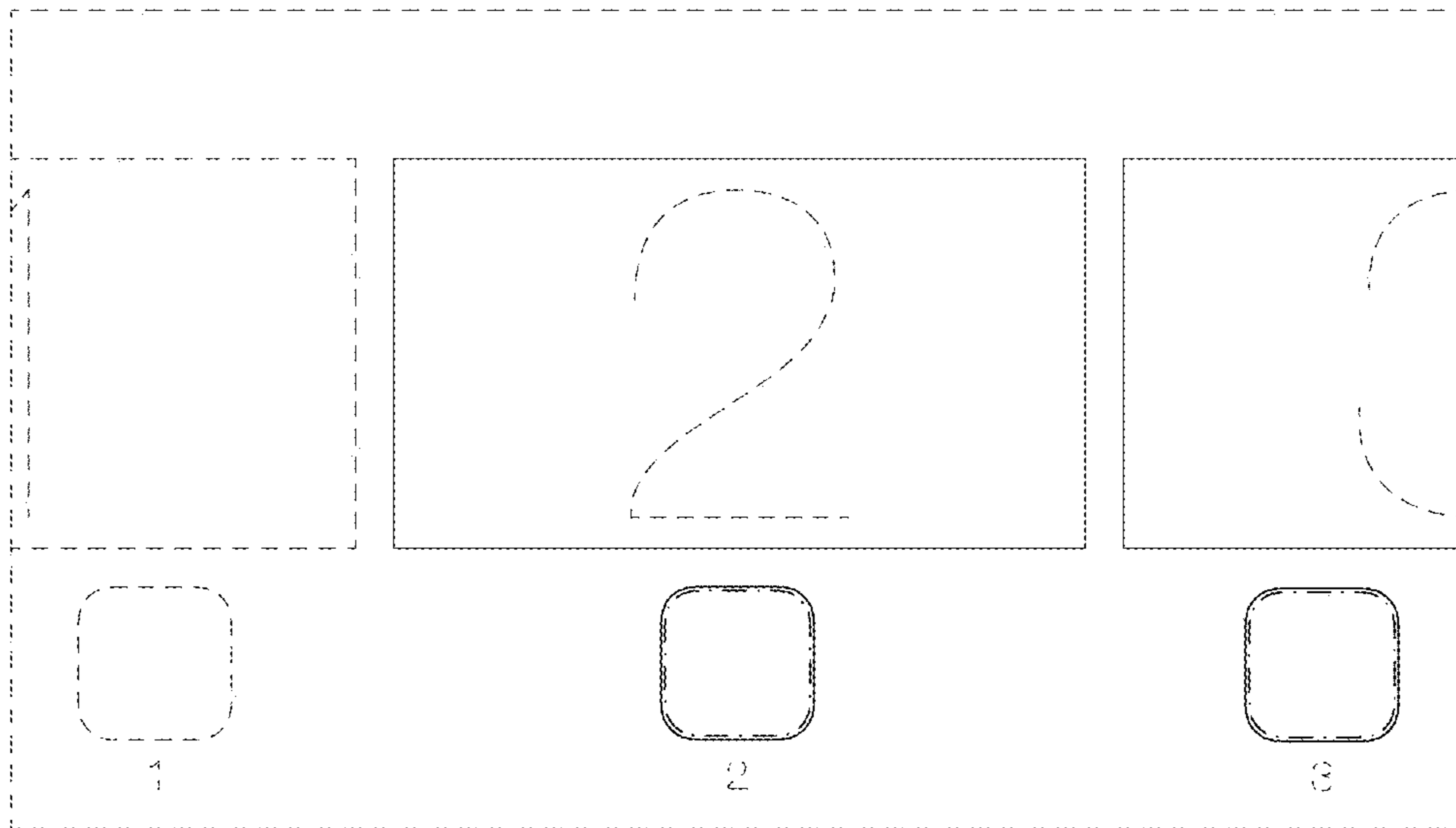


FIG. 1

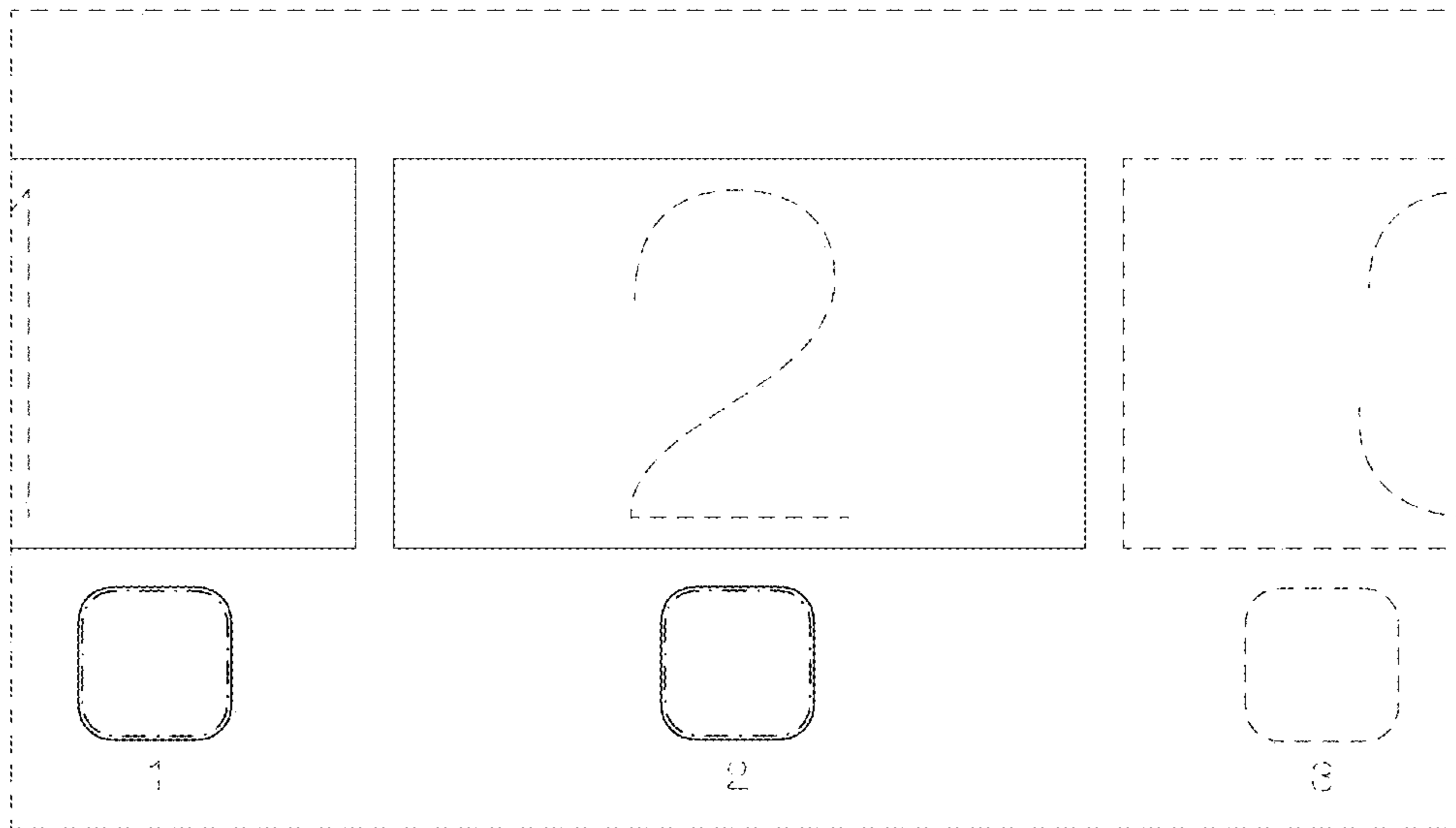


FIG. 2