



US00D942983S

(12) **United States Design Patent**  
Wengreen et al.

(10) **Patent No.:** **US D942,983 S**

(45) **Date of Patent:** **\*\* Feb. 8, 2022**

(54) **MOUNT FOR ELECTRONIC DEVICES**

(71) Applicant: **Innovelis, Inc.**, Sammamish, WA (US)

(72) Inventors: **Eric John Wengreen**, Sammamish, WA (US); **Ian Jacob van de Kamp**, Seattle, WA (US)

(73) Assignee: **Innovelis, Inc.**, Sammamish, WA (US)

(\*\*) Term: **15 Years**

(21) Appl. No.: **29/760,789**

(22) Filed: **Dec. 3, 2020**

(51) **LOC (13) Cl.** ..... **08-07**

(52) **U.S. Cl.**  
USPC ..... **D14/447**

(58) **Field of Classification Search**  
USPC ..... D14/447, 432, 434, 439, 440, 451, 452, D14/457, 239, 253, 476; D8/363, 373, D8/380; D6/406.3, 406.4, 406.5, 406.6; D12/415; D21/333, 332  
CPC ..... A47B 21/04; A47B 2097/006; A47B 2097/005; A47B 2023/049; A45C 2011/002; A45C 2011/003; F16M 2200/00; F16M 13/00  
See application file for complete search history.

(56) **References Cited**

**U.S. PATENT DOCUMENTS**

D734,305 S \* 7/2015 Wengreen ..... D14/238.1  
D765,063 S \* 8/2016 Wengreen ..... D14/238.1

D777,167 S \* 1/2017 Wengreen ..... D14/447  
D798,305 S \* 9/2017 Wengreen ..... D14/447  
D798,306 S \* 9/2017 Wengreen ..... D14/447  
D812,064 S \* 3/2018 Wengreen ..... D14/434  
D813,241 S \* 3/2018 Wengreen ..... D14/434  
D832,274 S \* 10/2018 Wengreen ..... D14/447  
D847,800 S \* 5/2019 Wengreen ..... D14/238.1  
D847,801 S \* 5/2019 Wengreen ..... D14/238.1  
D931,290 S \* 9/2021 Wengreen ..... D14/447  
D935,470 S \* 11/2021 Wengreen ..... D14/447

\* cited by examiner

*Primary Examiner* — Angela J Lee

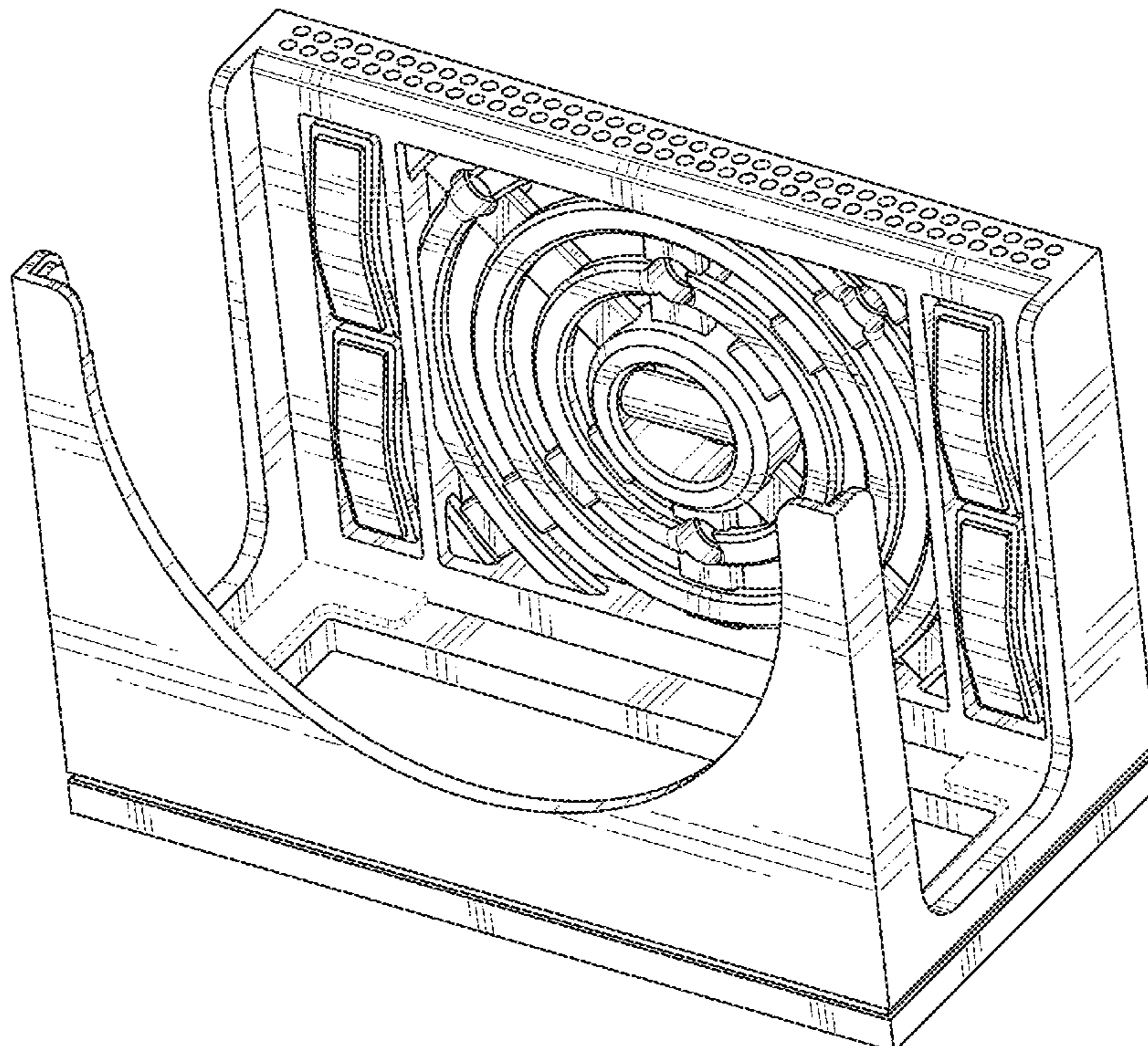
(57) **CLAIM**

The ornamental design for a mount for electronic devices, as shown and described.

**DESCRIPTION**

FIG. 1 is a front, first side, and top perspective view of a mount for electronic devices embodying the new design; FIG. 2 is a back, second side, and bottom perspective view thereof; FIG. 3 is a front, bottom, and second side perspective view thereof; FIG. 4 is a front view thereof; FIG. 5 is a back view thereof; FIG. 6 is a top view thereof; FIG. 7 is a bottom view thereof; and, FIG. 8 is a first side view thereof, the second side view being a mirror image.  
The uniform repeating broken lines depict portions of a mount for electronic devices in which the claimed design is embodied and form no part of the claimed design.

**1 Claim, 8 Drawing Sheets**





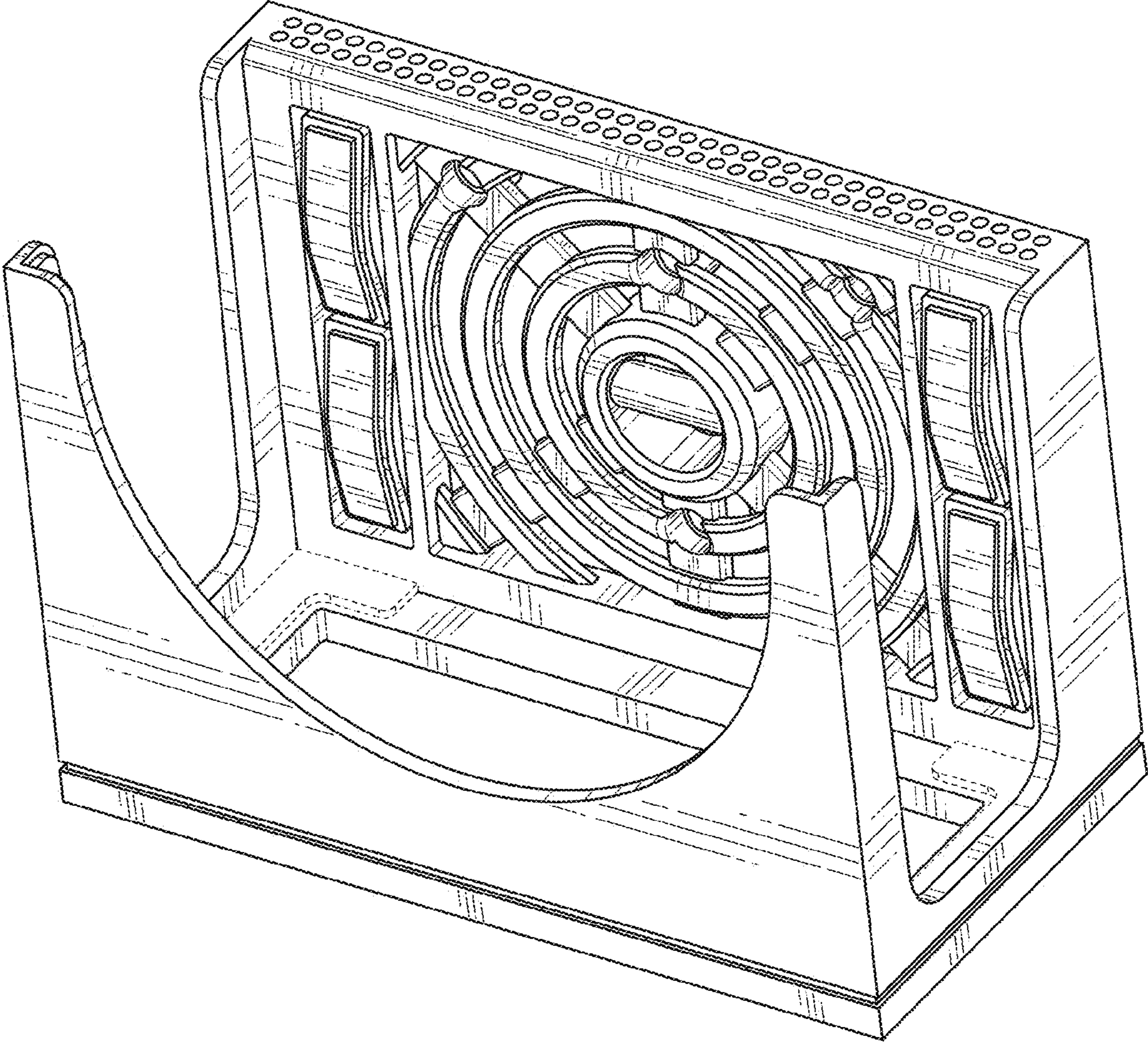


FIG. 1

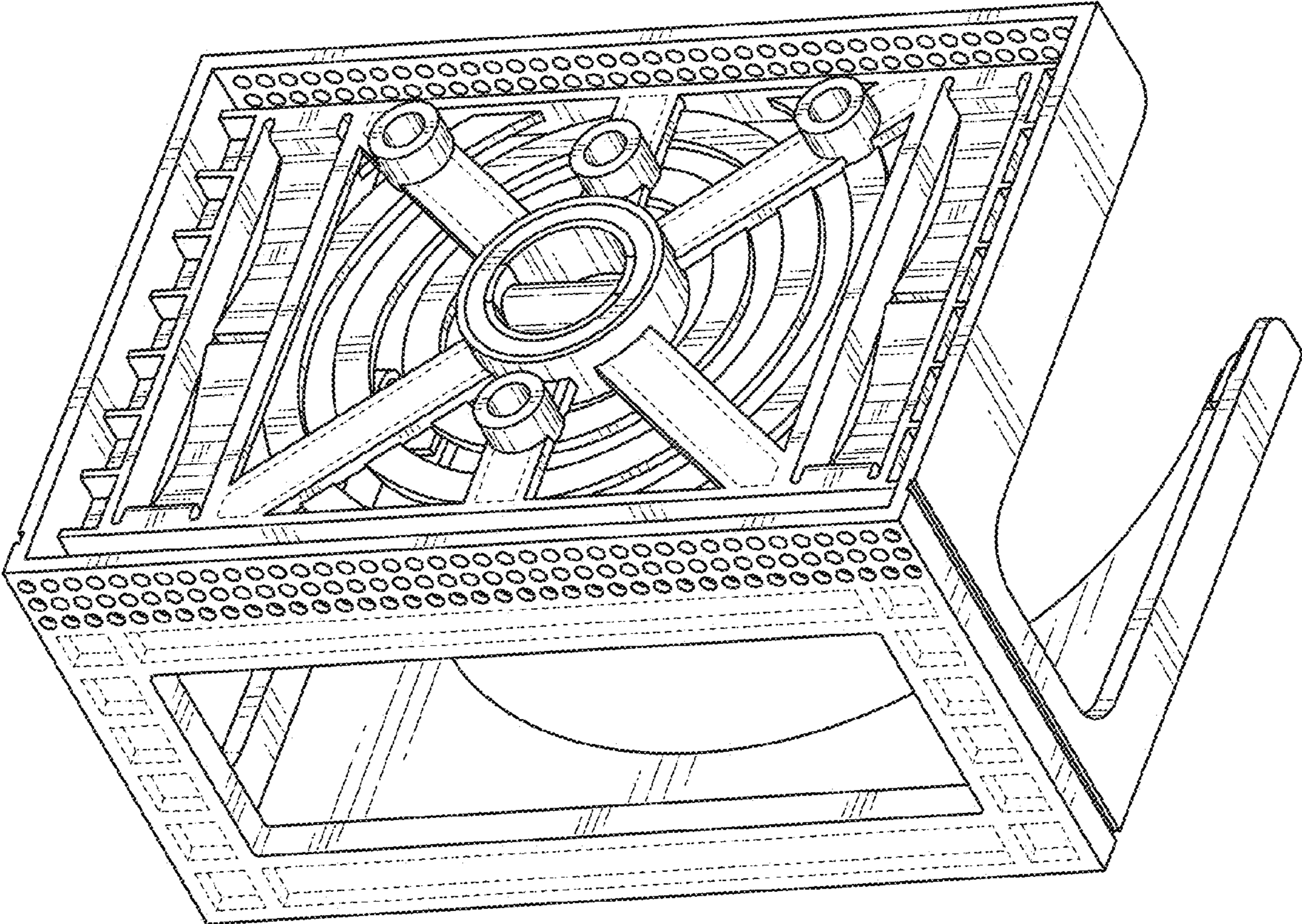


FIG. 2



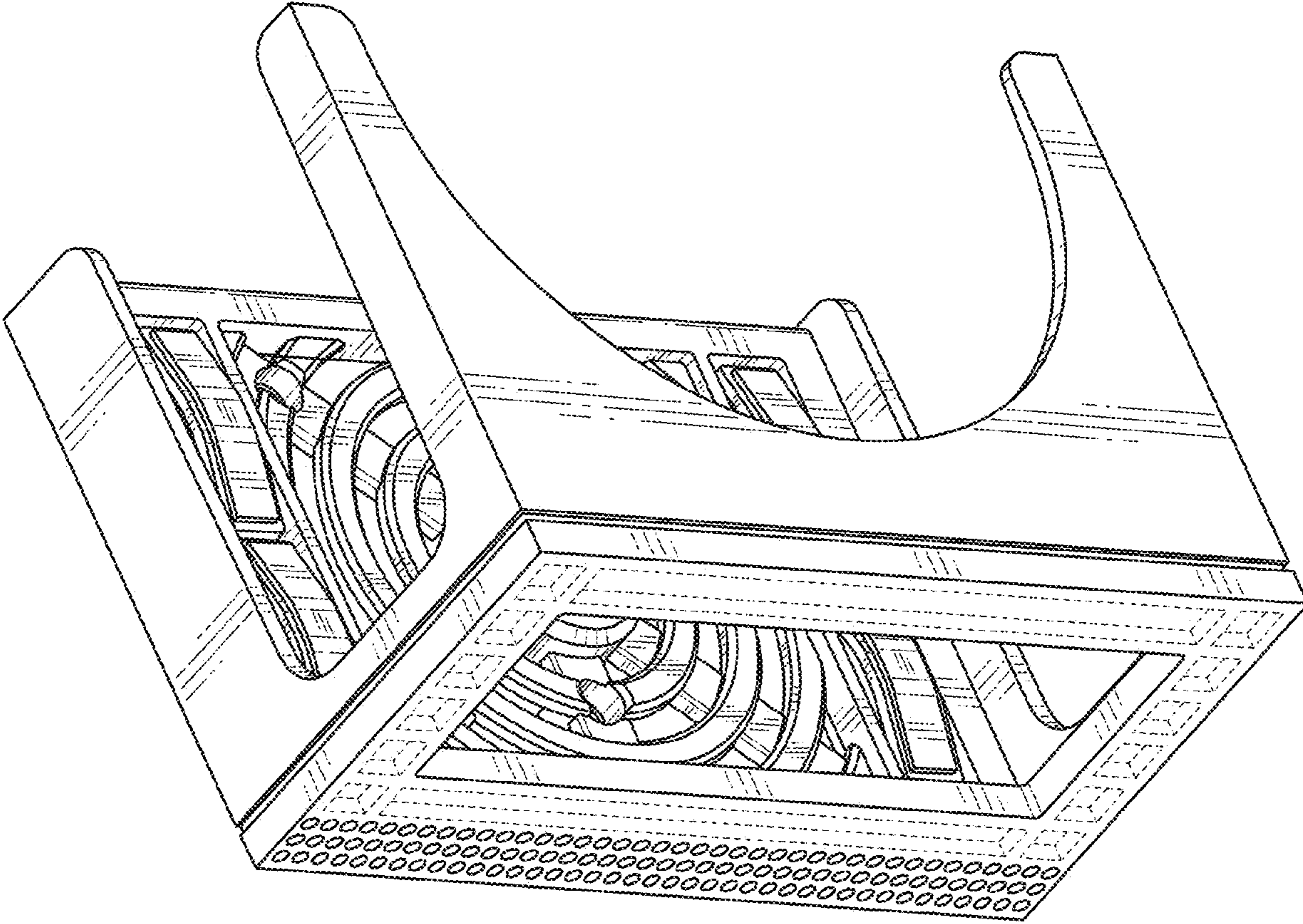


FIG. 3

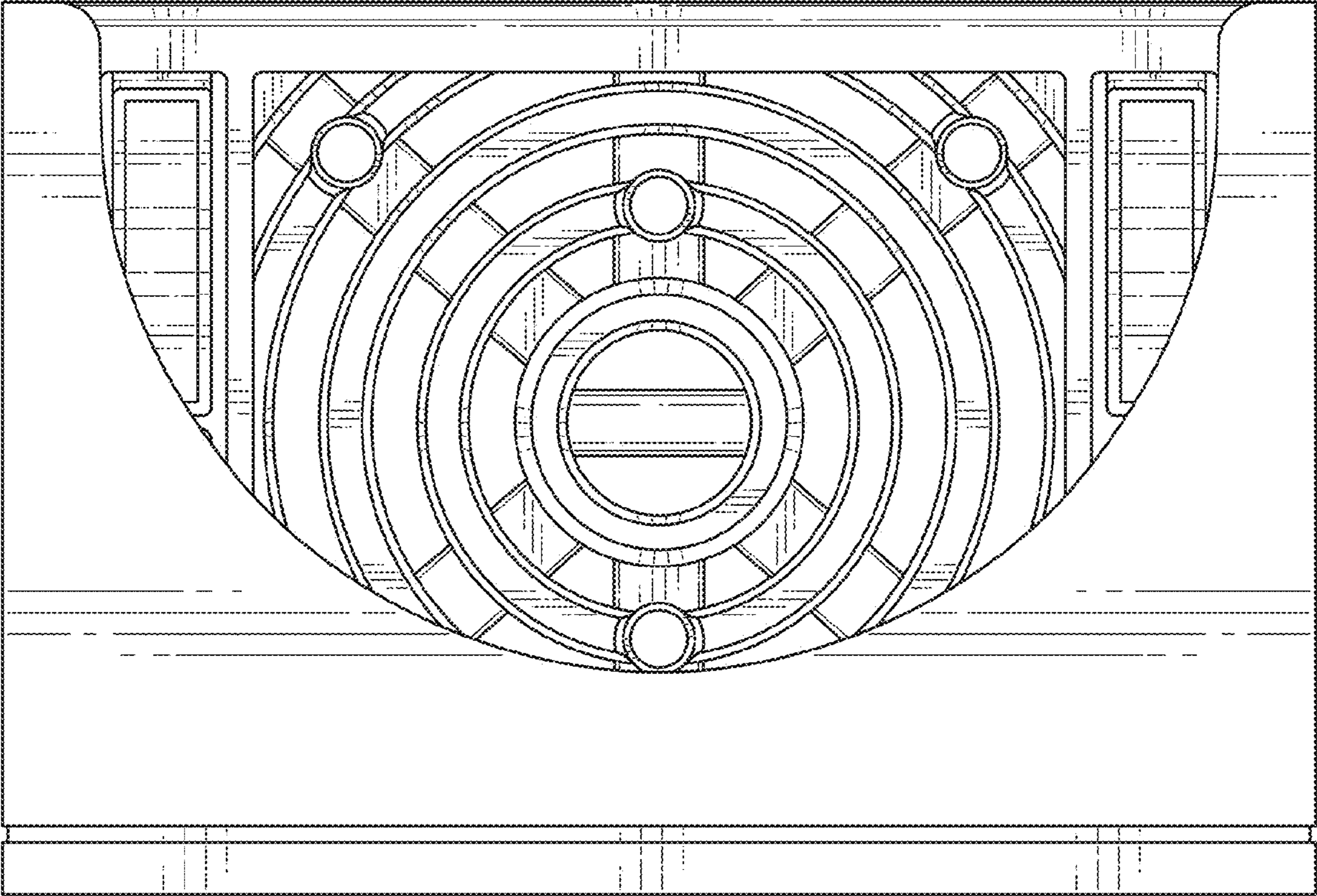


FIG. 4

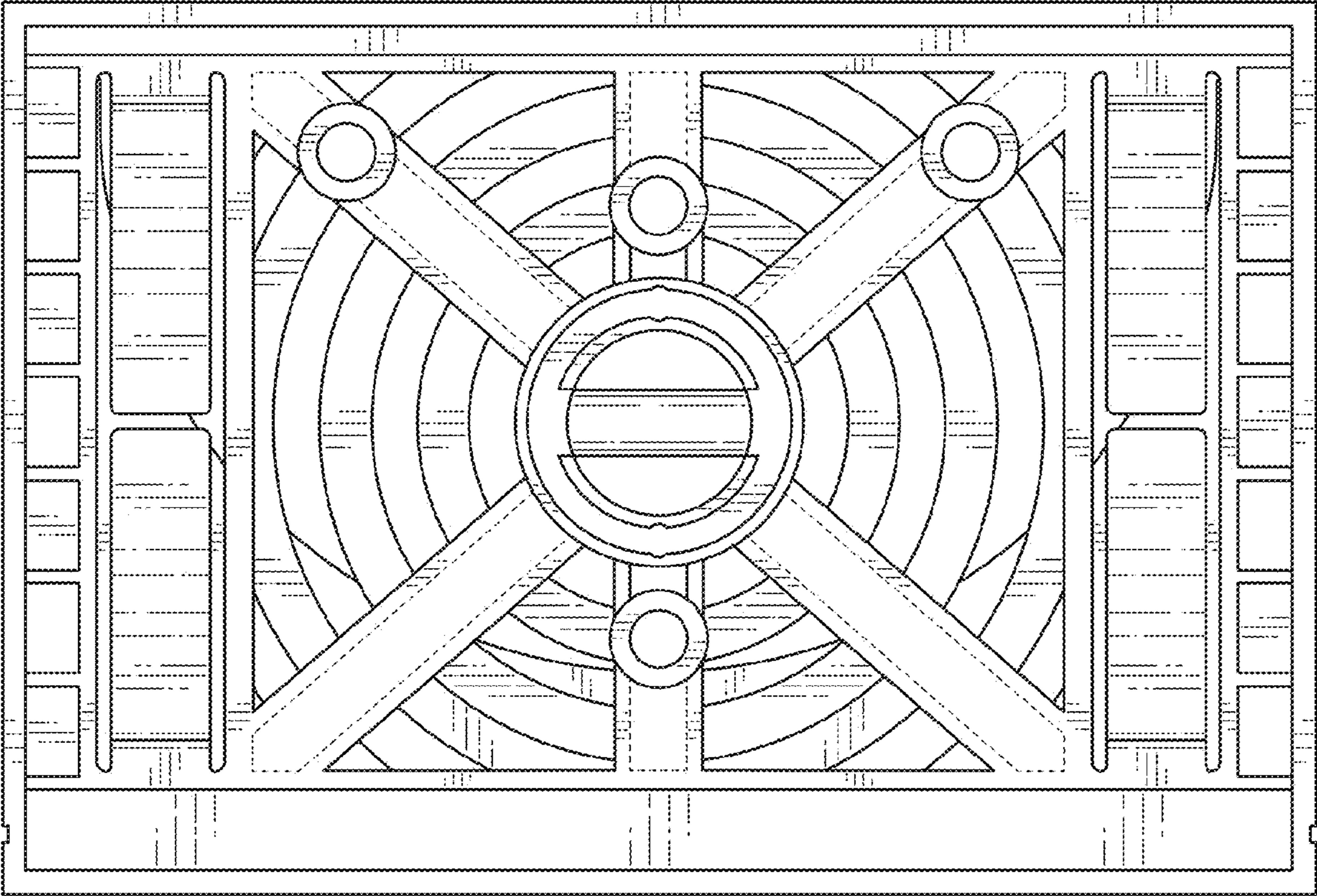


FIG. 5



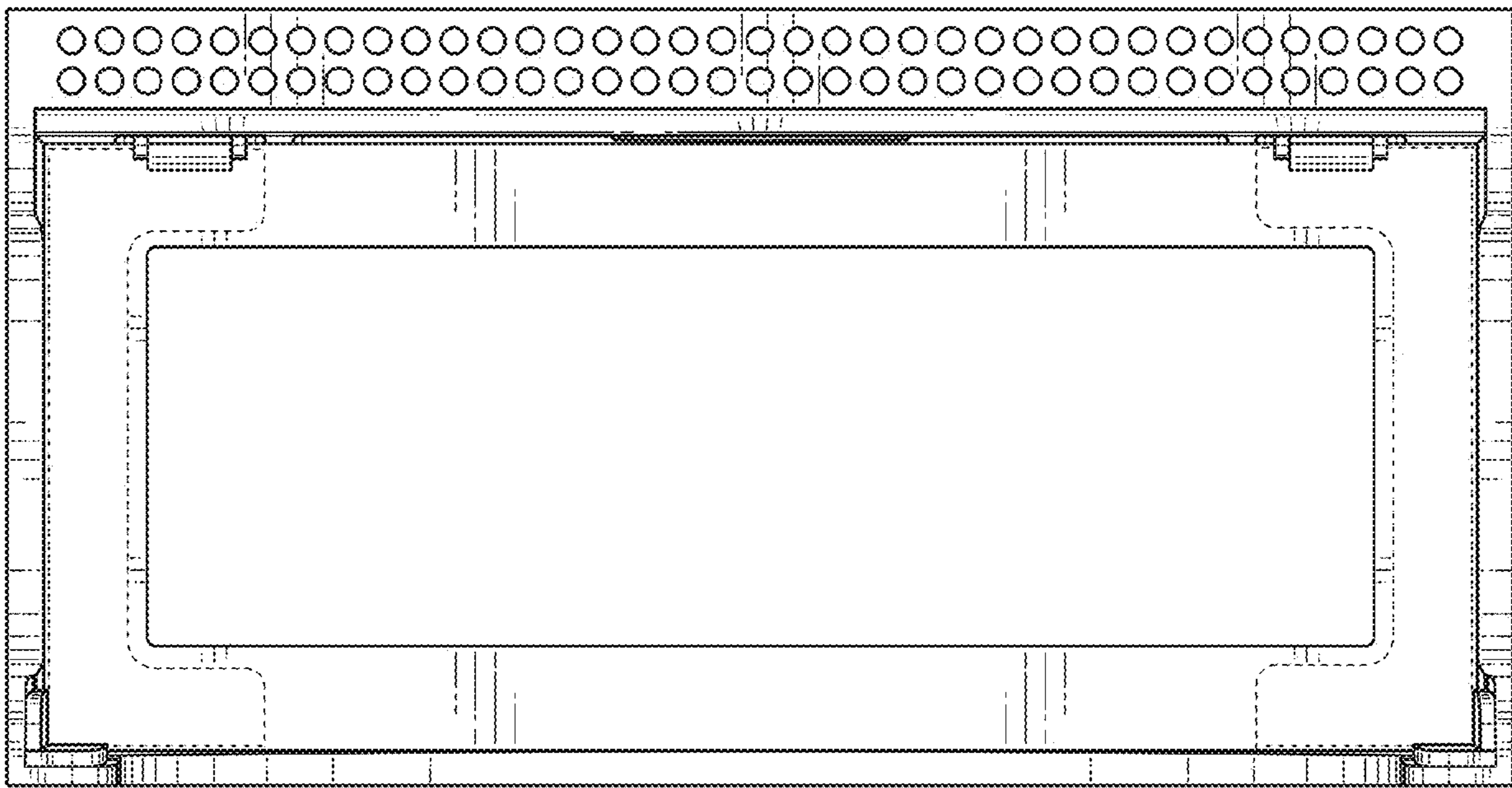


FIG. 6

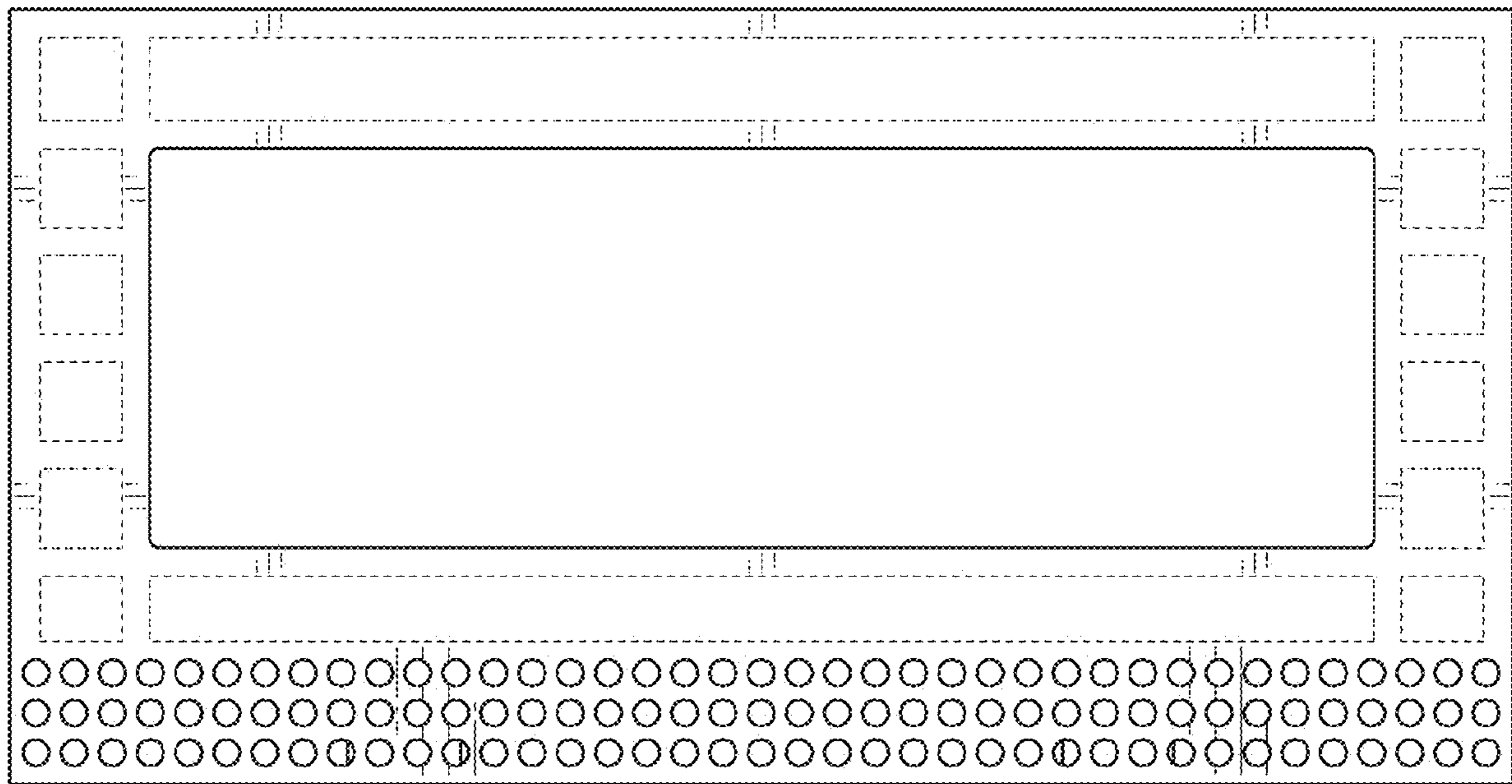


FIG. 7



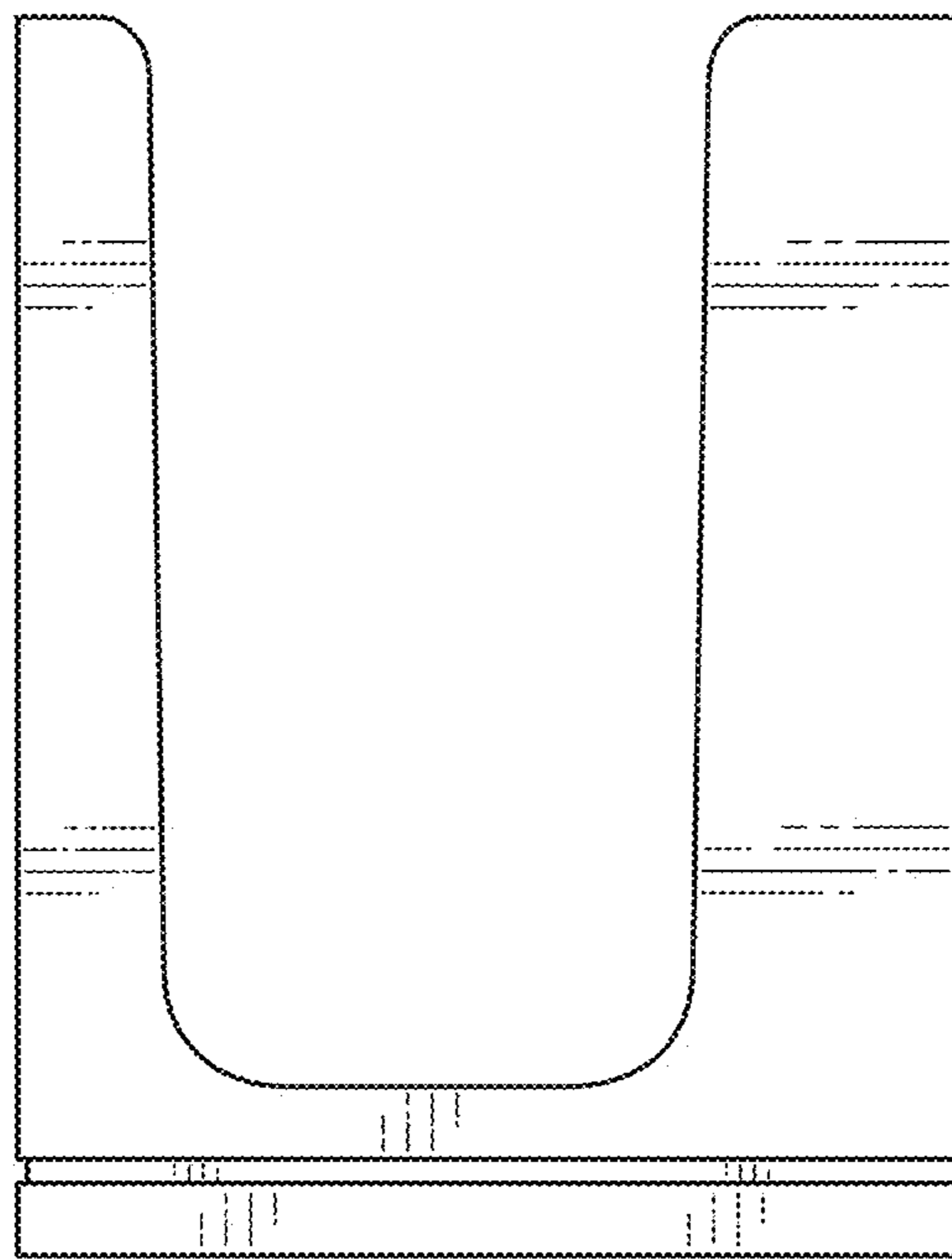


FIG. 8